

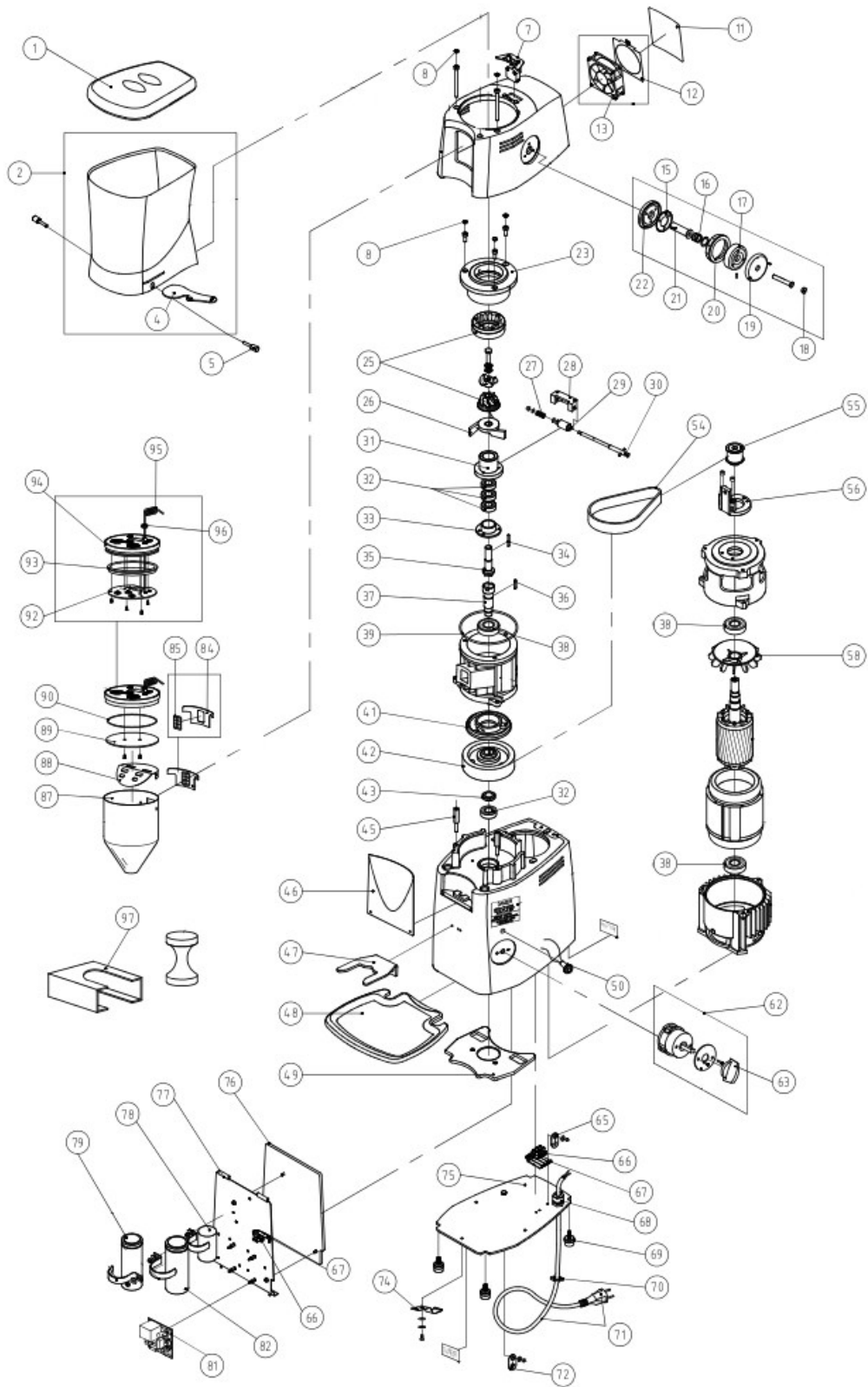
EXPLODED VIEW

KOLD ELECTRONIC GRINDER DOSER

ESKLELE 01.00 02/2014



MAZZER LUIGI s.r.l.  
VIA MOGLIANESE, 113  
30030 GARDIGIANO DI SCORZE' (VE)  
ITALIA  
TEL +39 041 5830200 r.a. - FAX +39 041 5830060  
E-mail: mazzler@mazzler.com - <http://www.mazzler.com>



<u>Position</u>	<u>Description</u>	<u>Part Number</u>
1	Kold Hopper cover	<a href="#">M28054</a>
2	Kold Hopper	<a href="#">M28351004</a>
3	NA	NA
4	Kold Locking Slide	M28326011
5	Hopper Kold Locking Pivot	<a href="#">M28360017</a>
6	NA	NA
7	Hopper Safety Swith	<a href="#">M28239</a>
8	Cap for TCE M6 Screw	M28901
9	NA	NA
10	NA	NA
11	Filter for Fan 80 x 80	<a href="#">M28530/R</a>
12	Frame for Fan 80 x 80	<a href="#">M28520/R</a>
13	Fan 80 x 80	<a href="#">M28510/R</a>
14	NA	NA
15	Kold Knob Toothed Ring	M290001
16	Kold return Spring	M29002
17	Knob Mobile Support	M29003
18	Plastic Cap	M29004
19	Kold Grind Adjustment Knob	M29005
20	Knob Graduated Ring	M29006
21	Knob Axle	M29007
22	Knob Fix Support	M29008
23	Kold Single Phase Upper Grinding Blade Holder	<a href="#">M28360030/KOLD</a>
24	NA	NA
25	Conical Grinding Blade 186C	<a href="#">M282186</a>
26	Lower Grinding Blade Holder	<a href="#">M28253/R</a>
27	Grinding Adjustment Spring	M30001
28	Worm Screw Axle Support	M30002
29	Kold Worm Screw	M30003
30	Worm Screw Axle	M30004

<u>Position</u>	<u>Description</u>	<u>Part Number</u>
31	Kold Helical Gear	M30005
32	Bearing 6002	<a href="#">M28057</a>
33	Kold Ball Bearing Bushing	M30006
34	3 x 3 x 30 Key	<a href="#">M28254</a>
35	Kold Grinding Shaft	M30007
36	4 x 4 x 22 Key	<a href="#">M28255/L</a>
37	Driven Pulley shaft	M30008
38	Bearing 6204	<a href="#">M28063</a>
39	O-Ring 4462 NB70	M30009
40	NA	NA
41	Ball Bearing Holder Cap	M30010
42	Kold Driven Pulley	M30011
43	Threaded Locking Ring	M30012
44	NA	NA
45	Fixing Pin for Tray	M30013
46	Kold Motor Cover	M28200/KOLD
47	Fork for Kold	<a href="#">M28122/KOLD</a>
48	Drip Tray	<a href="#">TRAY/SM</a>
49	Upper Insulating	M30014
50	Pilot Light	<a href="#">M28258006</a>
51	NA	NA
52	NA	NA
53	NA	NA
54	Kold Belt	<a href="#">M30015</a>
55	Kold Friving Pulley	M30016
56	Backstand	M30018
57	NA	NA
58	Cooling Fan	<a href="#">M30019</a>
59	NA	NA
60	NA	NA

<u>Position</u>	<u>Description</u>	<u>Part Number</u>
61	NA	NA
62	Two Position Switch	<a href="#">M28161</a>
63	Knob	<a href="#">M28166/K</a>
64	NA	NA
65	Ground Plate	<a href="#">M28902</a>
66	Terminal Board	<a href="#">M28903</a>
67	Under Terminal Board	<a href="#">M28904</a>
68	Cable Locking	<a href="#">M30020</a>
69	Foot	<a href="#">M28258/R</a>
70	Nut for Cable Locking	<a href="#">M30021</a>
71	Power Cable	<a href="#">M30022</a>
72	External Unipotential clamp	<a href="#">M28905</a>
73	NA	NA
74	Drip Tray Locking Plate	<a href="#">M28259</a>
75	Kold Bottom Plate	M30040
76	Lateral Insulating	M30041
77	Kold System Plate	M30042
78	Relay	<a href="#">M28346</a>
79	Capacitor 60 uF	<a href="#">M19058</a>
80	NA	NA
81	Board for Double Timer	<a href="#">M28700</a>
82	Capacitor 80 uF	<a href="#">M19060</a>
83	NA	NA
84	Gasket AER Stop	<a href="#">M28400004</a>
85	Screen	<a href="#">M28670</a>
86	NA	NA
87	Funnel	<a href="#">M28660</a>
88	Coffee Outlet Guard	<a href="#">M28250</a>
89	Bottom for Push Button Lid	<a href="#">M28650</a>
90	NBR70 O-Ring	<a href="#">M28680</a>

<u>Position</u>	<u>Description</u>	<u>Part Number</u>
91	NA	NA
92	Card for Push Button Display	M28640
93	Gasket	M28630
94	Push button holder Lid + Adhesive Membrane	M28620
95	Display Connection Cable	M28640/WIRE
96	Calbe Locking	M28600
97	Tamper Holder	M28860
98	NA	NA