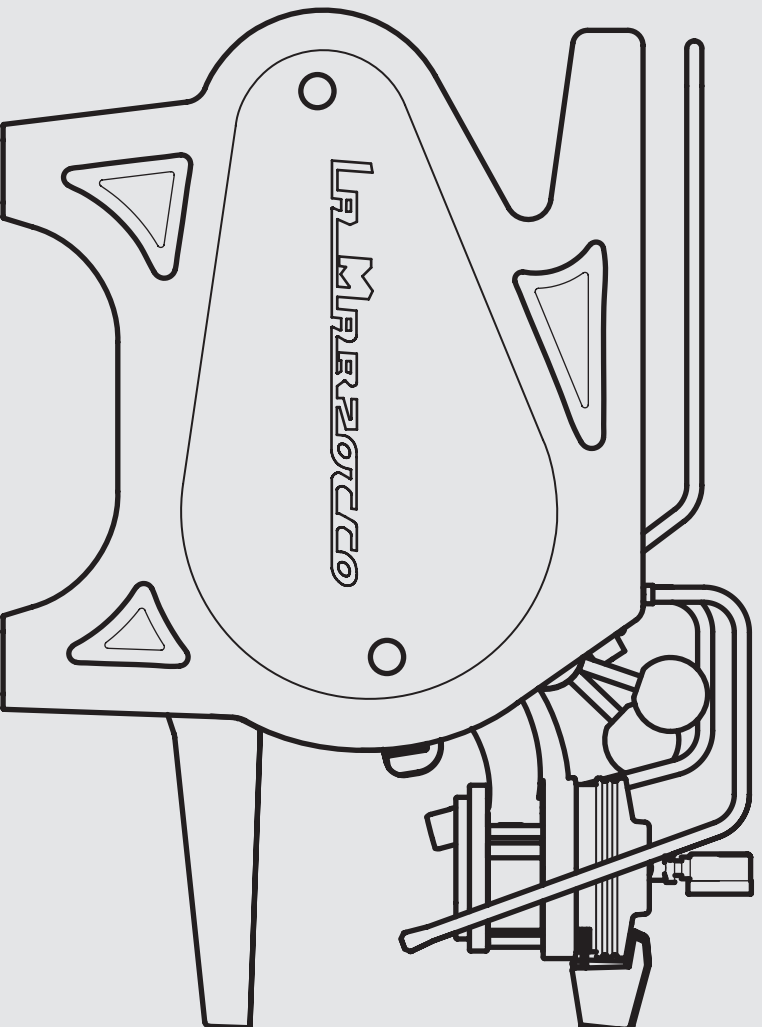


# parts catalog strada mp







**la marzocco**  
handmade in florence

## INDEX

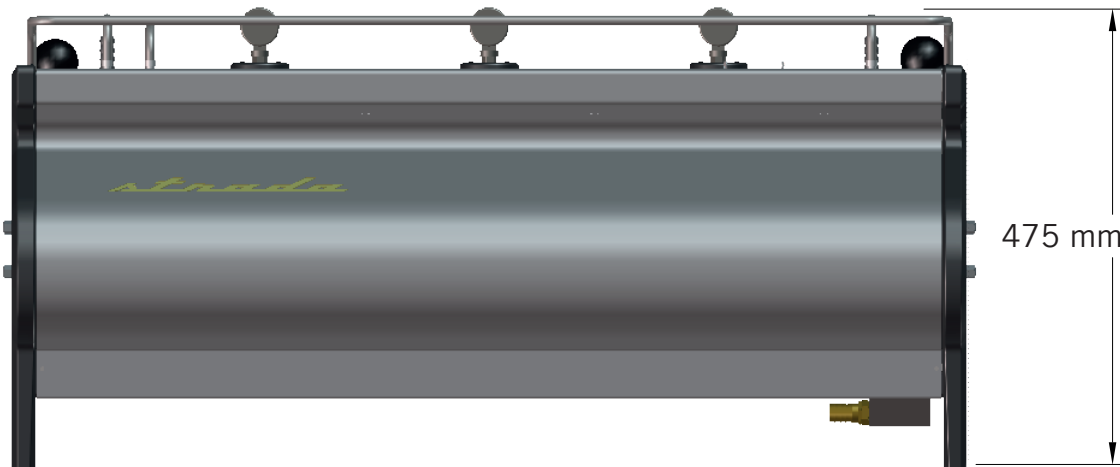
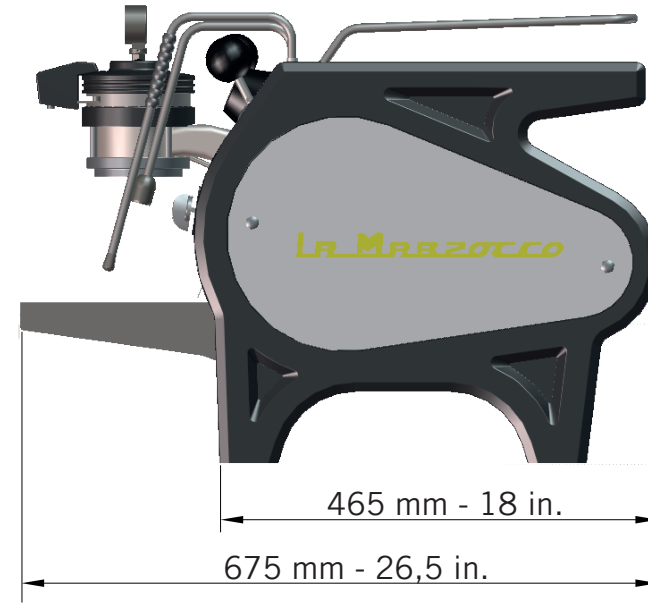
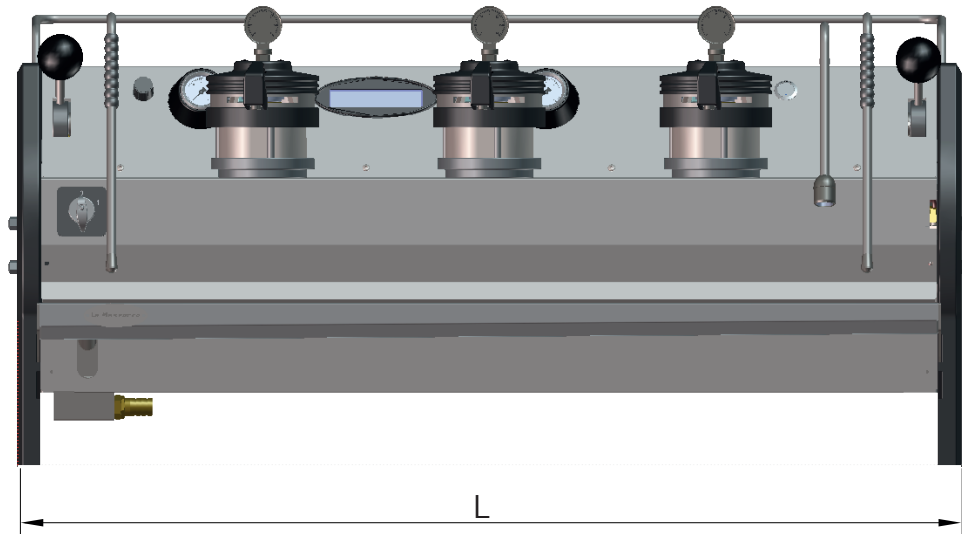
		<b>Pag.</b>	<b>Ver.</b>
Specifications	Caratteristiche Tecniche	4	3.2
Body Panel Assembly	Carrozzeria	6	3.2
Control Panel Assembly	Pannello di Controllo	11	3.2
Steam and Hot Water Wands Assembly	Lancia Vapore e Acqua Calda	13	3.2
Steam Valve Assembly	Rubinetto Vapore	15	3.2
Hydraulic Assembly	Impianto Idraulico	21	3.2
Fittings and Valves	Raccordi e Valvole	29	3.2
Coffee Boiler	Caldaia Caffè	35	3.2
Steam Boiler	Caldaia Vapore	37	3.2
Paddle Valve	Paddle	39	3.2
Custom Color	Colori Personalizzati	52	3.2
Heating Elements	Resistenze Elettriche	58	3.2
Electrical System and Pump	Impianto Elettrico e Pompa	60	3.2
Portafilter Assembly	Portafiltri	62	3.2
Hose and Accessories	Tubi e Accessori	66	3.2



la marzocco

handmade in florence

# SPECIFICATIONS



<b>NOTE:</b> the 2GR version is 200mm less in width than the 3GR version	
Strada	2gr MP L=800 mm/31,5 in.
	3gr MP L=1000 mm/40 in.



la marzocco

handmade in florence

# SPECIFICATIONS

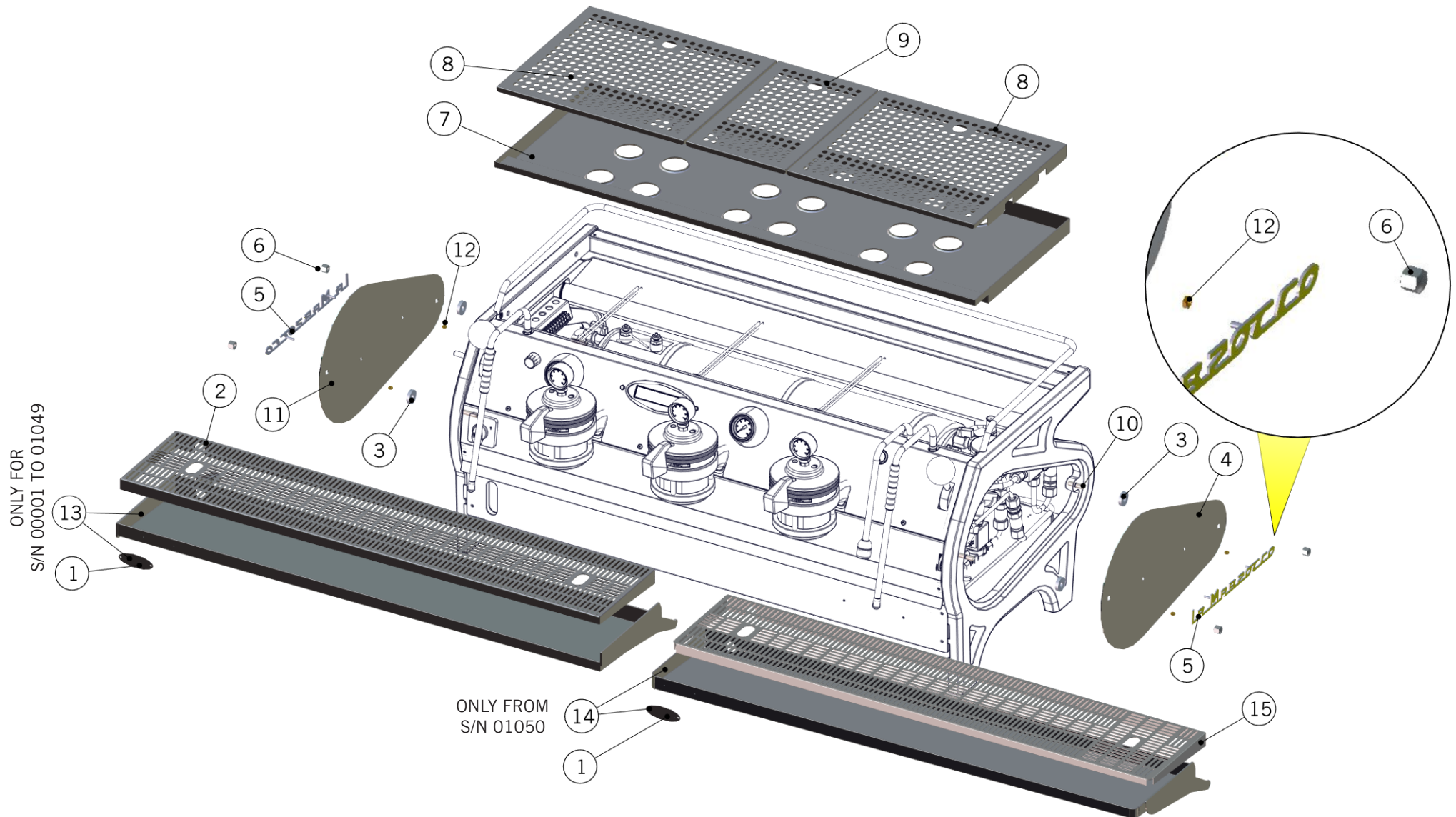
Caratteristiche Tecniche	Size	Gr	2GR	3GR	2GR	3GR	2GR	3GR
	Electrical Voltage	V	200VAC Single/Three Phase		220VAC Single/Three Phase		380VAC Three Phase	
	Machine weight	kg	85	102	85	102	85	102
		lb	187,4	225	187,4	225	187,4	225
	Shipping weight	kg	128	152	128	152	128	152
		lb	282	335	282	335	282	335
	Coffee Boiler Wattage	W	2 x 500	3 x 500	2 x 800	3 x 800	2 x 800	3 x 800
	Steam Boiler Wattage	W	3000	4000	3000	4000	3000	4000
	Total Wattage	W	4500	5500	4600	6400	4600	6400
	Required Available Amperage	A	23	28	21 (25 for Australia)	30 (32 for Australia)	13	18
Coffee Boiler Capacity	liters	2 x 1,3	3 x 1,3	2 x 1,3	3 x 1,3	2 x 1,3	3 x 1,3	
Steam Boiler Capacity	liters	8,2	11,8	8,2	11,8	8,2	11,8	



la marzocco

handmade in florence

# BODY PANEL ASSEMBLY



ONLY FOR  
S/N 00001 TO 01049

ONLY FROM  
S/N 01050



la marzocco

handmade in florence

# BODY PANEL ASSEMBLY

Carrozzeria

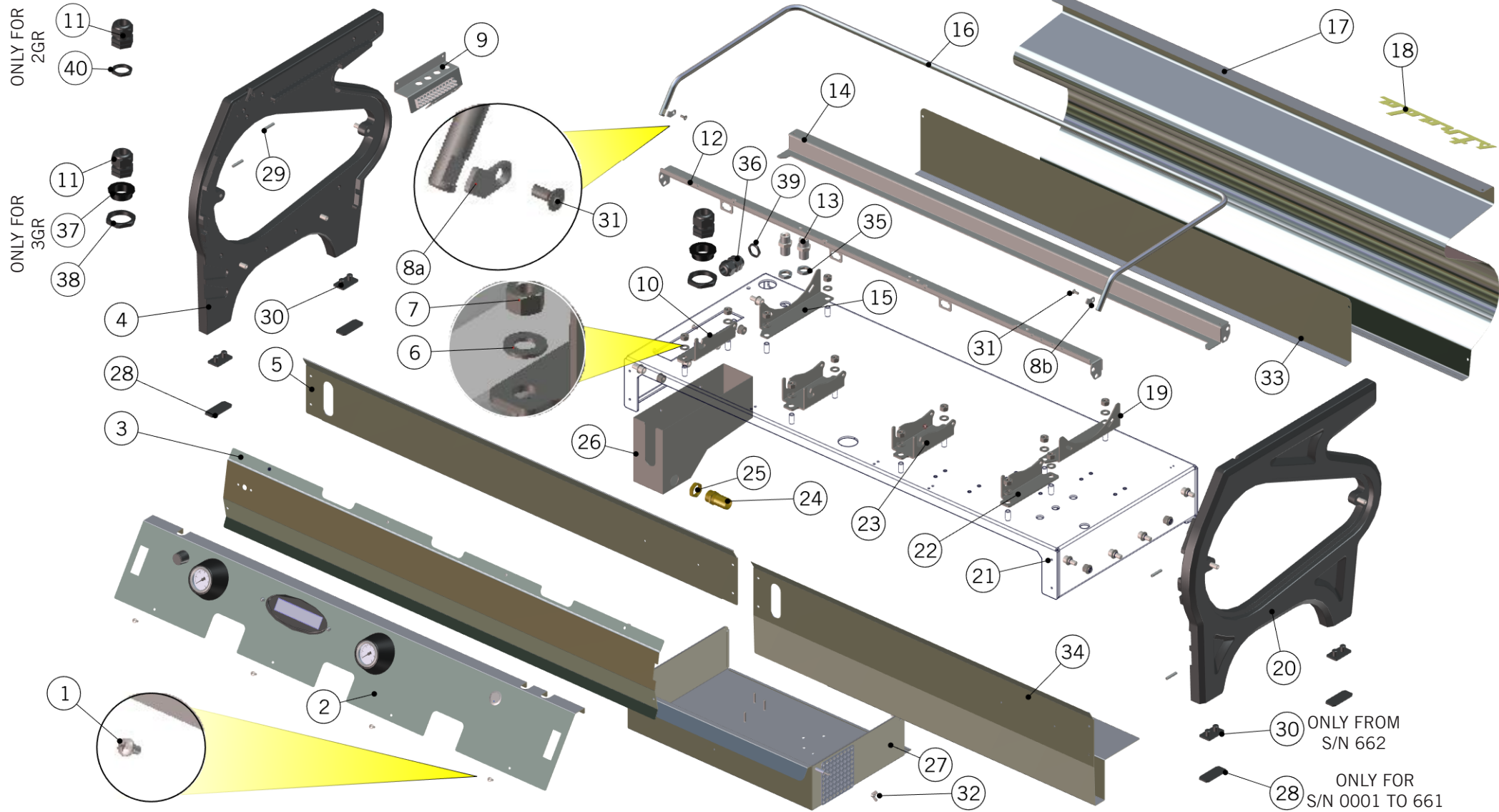
1	D.4.004	OVAL LM DECAL STRADA	ETICHETTA OVALE LM X STRADA
2	C.1.090	GRID DRAIN STRADA 3GR	GRIGLIA SCARICO STRADA 3GR
	C.1.116	GRID DRAIN STRADA 2GR	GRIGLIA SCARICO STRADA 2GR
3	F.6.001.01	SPACER 8,4X25X6 AL	DISTANZIALE 8,4X25X6 ALLUMINIO
4	C.1.097	PANEL LEFT SIDE STRADA MP	PANNELLO LATERALE SX STRADA MP
5	D.4.001	LOGO LA MARZOCCO STRADA YELLOW W/STUDS	LOGO LA MARZOCCO STRADA GIALLO C/PERNI
6	I.1.036	CAP NUT M8 H12 WR 13 S/S	DADO C/CALOTTA M8 H12 WR13 INOX
7	C.1.092.01	TRAY CUPWARMER STRADA 3GR	VASSOIO SCALDATAZZE STRADA 3GR
	C.1.093.01	LARGE CUP TRAY GRID STRADA	GRIGLIA SCALDATAZZE GRANDE PER STRADA
8	C.1.112.01	TRAY CUPWARMER STRADA 2GR	VASSOIO SCALDATAZZE STRADA 2GR
9	C.1.094	GRID CUPWARMER 197MM STRADA 3GR	GRIGLIA SCALDATAZZE 197MM STRADA 3GR
10	I.1.032	SOCKET GRUB SCREW M8X30 S/S A2	GRANO M8X30 A BRUGOLA INOX A2
11	C.1.098	PANEL RIGHT SIDE STRADA MP	PANNELLO LATERALE DX STRADA MP
12	DADO4M	NUT M4 H3 WR7 BRASS	DADO M4 H3 CH7 OTTONE
13	C.1.089.R	TRAY DRAIN STRADA 3GR W/LOGO	BACINELLA SCARICO STRADA 3GR C/LOGO
	C.1.115.R	TRAY DRAIN STRADA 2GR W/LOGO	BACINELLA SCARICO STRADA 2GR C/LOGO
14	C.1.089.02.R	TRAY DRAIN STRADA 3GR W/LOGO	BACINELLA SCARICO STRADA 3GR C/LOGO
	C.1.115.02.R	TRAY DRAIN STRADA 2GR W/LOGO	BACINELLA SCARICO STRADA 2GR C/LOGO
15	C.1.090.01	GRID DRAIN STRADA 3GR	GRIGLIA SCARICO STRADA 3GR
	C.1.116.01	GRID DRAIN STRADA 2GR	GRIGLIA SCARICO STRADA 2GR
<b>Item</b>	<b>Part number/Codice</b>	<b>Description</b>	<b>Descrizione</b>



la marzocco

handmade in florence

# BODY PANEL ASSEMBLY





la marzocco

handmade in florence

# BODY PANEL ASSEMBLY

Carrozeria

1	<a href="#">I.1.006</a>	SCREW M4X8 PHILLIPS BUTTON HEAD S/S A2	VITE M4X8 TPB A CROCE INOX A2
2	C.1.081.01	PANEL UPPER FRONT STRADA 3GR	PANNELLO FRONT. SUP. STRADA 3GR
	C.1.081.55	FRONT UPPER PAN. STRADA 3GR MP CUSTOM C.	PANN. FRONT.SUP. STRADA 3GR MP COL.SPEC.
	<a href="#">C.1.109</a>	PANEL UPPER FRONT STRADA 2MP	PANNELLO FRONT. SUP. STRADA 2MP
	C.1.109.55	PENEL UPPER FRONT STRADA 2MP CUSTOM COL.	PANNELLO FRONT.SUP. STRADA 2MP SOL.SPEC.
3	<a href="#">C.1.082</a>	STRADA 3GR FRONT MIDDLE PANEL	PANNELLO FRONT. INTERMEDIO STRADA 3GR
	C.1.082.55	PANN. FRONT INT. STRADA 3 GR CUSTOM COL.	PANN.FRONT INT. STRADA 3 GR COL.SPECIALE
	<a href="#">C.1.110</a>	PANEL MIDDLE FRONT STRADA 2GR	PANNELLO FRONT. INTERMEDIO STRADA 2GR
	C.1.110.55	FRONT MIDDLE PANEL STRADA 2GR CUSTOM COL	PANN.FRONT. INT. STRADA 2GR COL.SPECIALE
4	C.3.005.SX.03	STRADA BLACK LEFT FRAME PANEL W/HOLES	FIANCATA SX ALLUMINIO NERA C/FORI STRADA
5	<a href="#">C.1.083</a>	STRADA 3GR FRONT LOWER PANEL	PANNELLO FRONT. INFERIORE STRADA 3GR
	<a href="#">C.1.111</a>	PANEL LOWER FRONT STRADA 2GR	PANNELLO FRONT. INFERIORE STRADA 2GR
6	<a href="#">L1003</a>	WASHER 8,5X14X1,5 S/S A2	RONDELLA 8,5X14X1,5 INOX A2
7	<a href="#">L1002</a>	NUT M8 H8 WR13 S/S A2	DADO M8 H8 CH13 INOX A2
8a	<a href="#">C.1.088.SX</a>	BRACKET LEFT RAILING LOCK STRADA	STAFFA SX BLOCCO RINGHIERA STRADA
8b	<a href="#">C.1.088.DX</a>	BRACKET RIGHT RAILING LOCK STRADA	STAFFA DX BLOCCO RINGHIERA STRADA
9	<a href="#">C.1.086</a>	BRACKET TERMINAL BLOCK STRADA	STAFFA MORSETTIERA STRADA
10	<a href="#">C.1.073</a>	BRACKET LEFT COFFEE BOILER STRADA	STAFFA SX C.CAFFE' STRADA
11	<a href="#">L322/G</a>	CORD GRIPS PG21	PRESSACAVO PG21
12	C.1.077.01	TIE ROD FRONT 3GR	TIRANTE ANTERIORE 3GR
	C.1.106.01	TIE ROD FRONT 2GR	TIRANTE ANTERIORE 2GR
13	<a href="#">A.5.020</a>	NIPPLE G3/8M-G3/8M WR21 H38 BRASS TR.	NIPPLO G3/8M-G3/8M CH21 H38 OTT. TR.
14	<a href="#">C.1.078</a>	TIE ROD BACK STRADA 3GR	TIRANTE POSTERIORE STRADA 3GR
	<a href="#">C.1.107</a>	TIE ROD BACK STRADA 2GR	TIRANTE POSTERIORE STRADA 2GR
15	<a href="#">C.1.071</a>	BRACKET LEFT STEAM BOILER STRADA	STAFFA SX C.VAPORE STRADA
16	<a href="#">C.1.096</a>	RAILING STRADA 3GR	RINGHIERA STRADA 3GR
	<a href="#">C.1.113</a>	RAILING STRADA 2GR	RINGHIERA STRADA 2GR
17	<a href="#">C.1.084</a>	PANEL BACK STRADA 3GR	PANNELLO POSTERIORE STRADA 3GR
	<a href="#">C.1.114</a>	PANEL BACK STRADA 2GR	PANNELLO POSTERIORE STRADA 2GR
18	<a href="#">D.3.003</a>	YELLOW STRADA LOGO	LOGO STRADA POSTERIORE GIALLO
19	<a href="#">C.1.072</a>	BRACKET RIGHT STEAM BOILER STRADA	STAFFA DX C.VAPORE STRADA
<b>Item</b>	<b>Part number/Codice</b>	<b>Description</b>	<b>Descrizione</b>



**la marzocco**

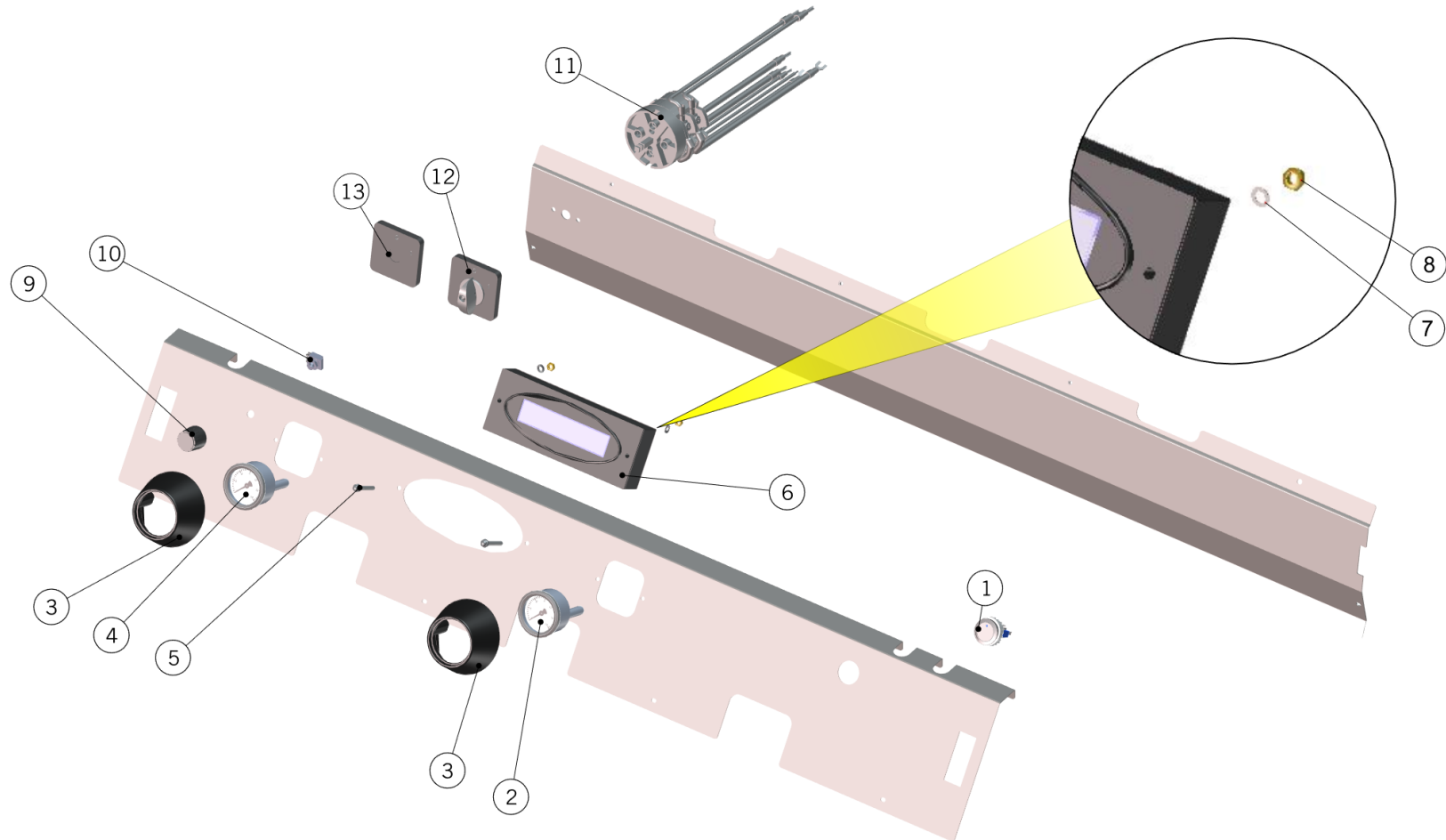
handmade in florence

# BODY PANEL ASSEMBLY

**Carrozzeria**

20	C.3.005.DX.03	STRADA BLACK RIGHT FRAME PANEL W/HOLES	FIANCATA DX ALLUMINIO NERA C/FORI STRADA
21	<a href="#">C.1.076</a>	BRACKET RIGHT COFFEE BOILER STRADA	STAFFA DX C.CAFFE' STRADA
22	<a href="#">C.1.102</a>	BRACKET CENTRAL COFFEE BOILER STRADA	STAFFA CENTRALE CALDAIE CAFFE' STRADA
23	<a href="#">L037/2PGR</a>	HOSE HOLDER WITH 20 MM. HOLE	PORTAGOMMA DM.MM 20 ES.22
24	<a href="#">L037/D</a>	NUT G1/2 H6 WR24 BRASS	DADO G1/2 H6 CH24 OTTONE
25	<a href="#">C.1.080</a>	DRAIN BOX STRADA	POZZETTO SCARICO STRADA
26	<a href="#">C.1.079.01</a>	ELECTRONIC BOX STRADA 3GR	SCATOLA ELETTRONICA STRADA 3GR
	<a href="#">C.1.105.01</a>	ELECTRONIC BOX STRADA 2GR	SCATOLA ELETTRONICA STRADA 2GR
27	F.2.023	PIEDINO STRADA	PIEDINO STRADA
28	<a href="#">I.1.052</a>	SOCKET GRUB SCREW M5X25 S/S A2	GRANO M5X25 A BRUGOLA INOX A2
29	<a href="#">F.2.026</a>	RUBBER FOOT	PIEDINO UNIVERSALE
30	<a href="#">I.1.056</a>	SCREW M5X10 PHILLIPS COUNTERSUNK S/S A2	VITE M5X10 TS A CROCE INOX A2
31	<a href="#">I.1.003</a>	WING NUT M6 H5 S/S A2	GALLETTO M6 H5 INOX A2
32	C.1.170	PANEL BACK LOWER STRADA 2GR	PANNELLO POSTERIORE INFERIORE STRADA 2GR
	C.1.171	PANEL BACK LOWER STRADA 3GR	PANNELLO POSTERIORE INFERIORE STRADA 3GR
33	C.1.245	STRADA 3GR FRONT LOWER PANEL	PANN. FRONT. INFER. STRADA 3GR (ITALIA)
	C.1.246	PANNELLO FRONT. INFERIORE STRADA 2GR	PANN. FRONT. INF. STRADA 2GR (ITALIA)
34	<a href="#">L183/1.01</a>	NUT G3/8 H6 CH21 BRASS TREATED	DADO G3/8 H6 CH21 OTTONE TRATTATO
35	<a href="#">L322/P</a>	CORD GRIPS PG13,5	PRESSACAVO PG13,5
36	<a href="#">F.1.097</a>	REDUCER CORD GRIPS PG29	RIDUTTORE PRESSACAVO PG29
37	<a href="#">I.6.008</a>	NUT CORD GRIPS PG29	DADO PRESSACAVO PG29
38	I.6.010	NUT CORD GRIPS PG13,5 BLACK	DADO PRESSACAVO PG13,5 NERO
39	I.6.009	NUT CORD GRIPS PG21 BLACK	DADO PRESSACAVO PG21 NERO
<b>Item</b>	<b>Part number/Codice</b>	<b>Description</b>	<b>Descrizione</b>

# CONTROL PANEL ASSEMBLY





la marzocco

handmade in florence

# CONTROL PANEL ASSEMBLY

## Pannello di Controllo

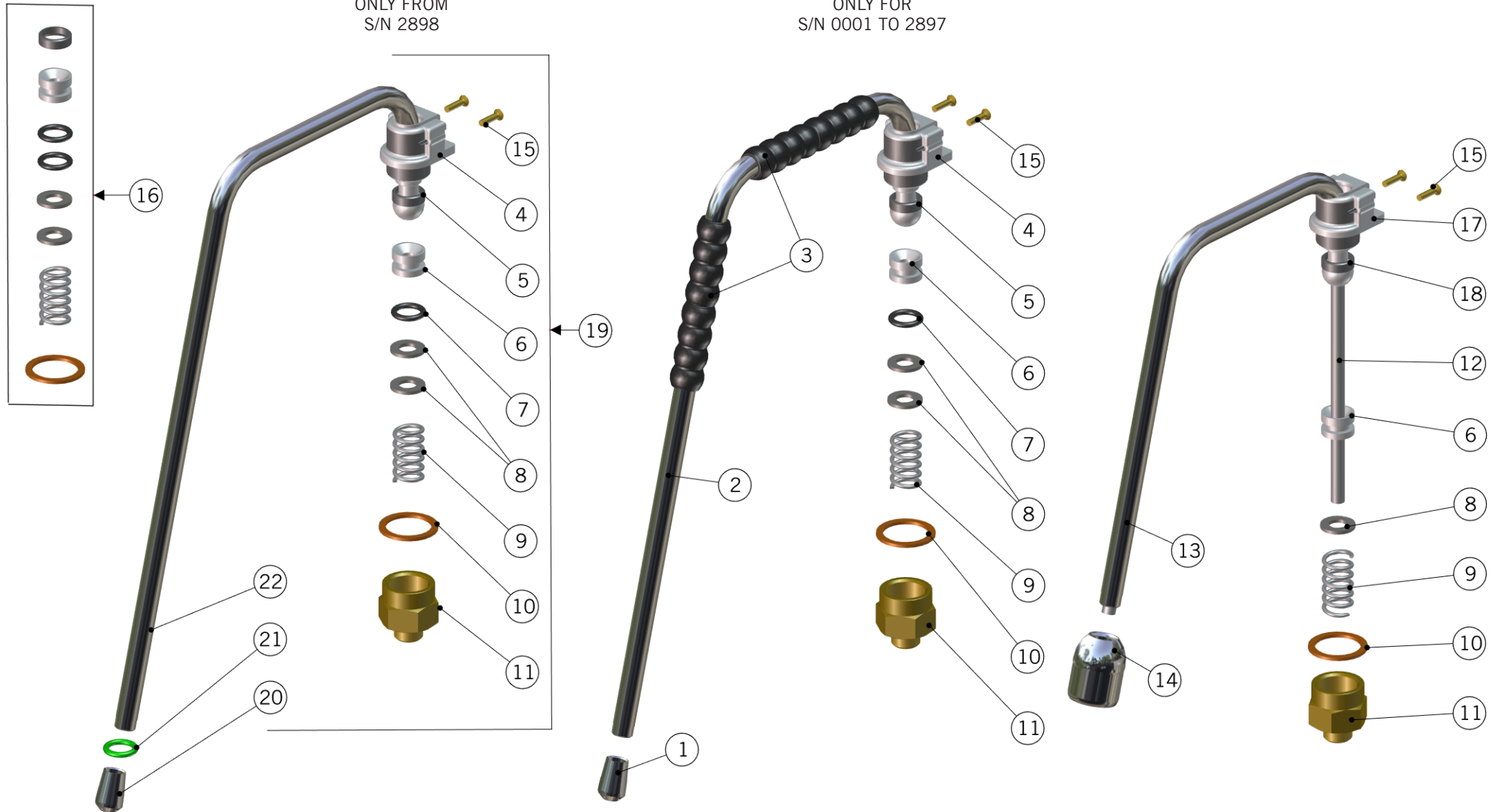
1	<a href="#">E.2.051</a>	TASTO TEA LASERATO LED BIANCHI	TASTO TEA LASERATO LED BIANCHI
2	<a href="#">E.3.007</a>	PRESSURE GAUGE 0-18 W/LED + CAPILLARY	MANOMETRO BLU 0-18 C/LED + CAPILLARE
	<a href="#">E.3.014</a>	PRESS.GAUGE BLACK 0-18 W/LED + CAPILLARY (FROM S/N 2898)	MANOMETRO NERO 0-18 C/LED + CAPILLARE (DAL S/N 2898)
3	<a href="#">F.1.024</a>	PRESSURE GAUGE BRACKET STRADA ONLY FOR S/N 0001 TO 2897	SUPPORTO MANOMETRO STRADA (SOLO PER S/N 0001 TO 2897)
4	<a href="#">E.3.008</a>	PRESSURE GAUGE 0-3 W/LED + CAPILLARY	MANOMETRO BLU 0-3 C/LED + CAPILLARE
	<a href="#">E.3.015</a>	PRESS.GAUGE BLACK 0-3 W/LED + CAPILLARY (FROM S/N 2898)	MANOMETRO NERO 0-3 C/LED + CAPILLARE (DAL S/N 2898)
5	I.2.001.01	KEYPAD SCREW ONLY FOR S/N 0001 TO 2897	VITI FISSAGGIO PULSANTIERA C/ESAGONO (SOLO PER S/N 0001 TO 2897)
6	<a href="#">E.1.038</a>	DISPLAY LCD WHITE STRADA MP W/BOX	DISPLAY LCD BIANCO STRADA MP C/SCATOLA
7	ROND_DENT_4	TOOTH LOCK WASHER 4X8X1 GALVANIZED	ROND.DENTATA 4X8X1 ZINCATA
8	<a href="#">DADO4M</a>	NUT M4 H3 WR7 BRASS	DADO M4 H3 CH7 OTTONE
9	<a href="#">E.2.020</a>	ENCODER KNOB	MANOPOLA ENCODER
10	E.2.021.01	ENCODER C/CONNETTORI	ENCODER C/CONNETTORI
11	E.2.001.02	SWITCH DOUBLE-POLE 40A W/WIRES	INTERRUTTORE BIPOLARE 40A C/CAVI
	E.2.002.03	SWITCH TRIPLE-POLE 20A W/WIRES	INTERRUTTORE TRIPOLARE 20A C/CAVI
	L400/32T	32A TRIPOLAR MAIN SWITCH	COMMUTATORE TRIPOLARE 32 AMP
12	<a href="#">L400/K</a>	MAIN POWER SWITCH KNOB	MANOPOLA PER COMMUTATORE
13	<a href="#">D.2.009</a>	0-1 SWITCH LABEL	TARGHETTA 0-1
<b>Item</b>	<b>Part number/Codice</b>	<b>Description</b>	<b>Descrizione</b>



la marzocco

handmade in florence

# STEAM AND HOT WATER ASSEMBLY





**la marzocco**

handmade in florence

# STEAM AND HOT WATER ASSEMBLY

**Lance**

1	<a href="#">A.5.015</a>	S/S STRADA STEAM TIP - HOLE DIAM 1.6	SPRUZZATORE INOX VAPORE STRADA -
2	<a href="#">T.2.122</a>	STEAM WAND S/S STRADA	LANCIA VAPORE INOX STRADA
3	<a href="#">F.2.017</a>	STEAM WAND RUBBER PROTECTION 80mm	GOMMINO LANCIA VAPORE 80mm
4	<a href="#">A.5.006.01</a>	STRADA STEAM WAND HOLDER, S/S	SUPPORTO INOX LANCIA VAPORE STRADA
5	<a href="#">F.1.029</a>	STEAM WAND BUSHING	BOCCOLA LANCIA VAPORE
6	<a href="#">H.2.003</a>	PTFE STEAM WAND SEAL	GUARN. PTFE PER SNODO TUBO VAP
7	<a href="#">H.1.004</a>	O-RING 10,77X2,62 EPDM 85 SHA	O-RING 10.77X2.62 EPDM 85 SHA
8	<a href="#">L1003</a>	WASHER 8,5X14X1,5 S/S A2	RONDELLA 8,5X14X1,5 INOX A2
9	<a href="#">F.3.004</a>	SPRING COMPRESSION 2X14,6X26,5 S/S	MOLLA A COMPRESSIONE 2X14,6X25 INOX
10	<a href="#">L260/1A</a>	WASHER 21X27X1,5 COPPER	RONDELLA 21X27X1,5 RAME
11	<a href="#">F.4.007</a>	FITTING G1/4M - M20F H31	RACCORDO G1/4M - M20F H31
12	<a href="#">T.3.001</a>	PTFE TUBE 1/8-1/4	TUBETTO PTFE 1/8-1/4
13	<a href="#">T.2.121.R</a>	HOT WATER WAND S/S STRADA W/PTFE	LANCIA ACQUA CALDA INOX STRADA C/PTFE
14	<a href="#">L160/3.02</a>	HOT WATER SPOUT G1/8 TREATED	DIFFUSORE ACQUA CALDA G1/8 TRATT. ALIM.
15	<a href="#">I.1.045</a>	SCREW M3X12 PHILLIPS COUNTERSUNK S/S A2	VITE M3X12 TS A CROCE INOX A2
16	<a href="#">SA210.K</a>	REBUILD KIT STRADA STEAM OR HOT WATER TU	KIT GUARNIZ. TUBO VAPORE O ACQUA CALDA
17	<a href="#">A.5.006</a>	GS3 STEAM WAND HOLDER, S/S	SUPPORTO INOX LANCIA VAPORE GS3
18	<a href="#">H.1.003</a>	O-RING 117 2,62x13,1 VITON 85 ShA	OR 2.62x13.1VITON PER TUBO VAP
19	<a href="#">918</a>	RETROFIT KIT PERFORMANCE TOUCH STRADA	KIT RETROFIT PERFORMANCE TOUCH STRADA
20	<a href="#">A.5.050</a>	PERFORMANCE TOUCH STEAM TIP	SPRUZZATORE VAPORE PERFORMANCE TOUCH
21	<a href="#">H.1.027</a>	O-RING 1,78X7,65 VITON 75 SHA	O-RING 1,78X7,65 VITON 75 SHA
22	<a href="#">T.2.005</a>	STEAM WAND PERFORMANCE TOUCH TREATED	LANCIA VAPORE PERFORMANCE TOUCH TRATT.
<b>Item</b>	<b>Part number/Codice</b>	<b>Description</b>	<b>Descrizione</b>

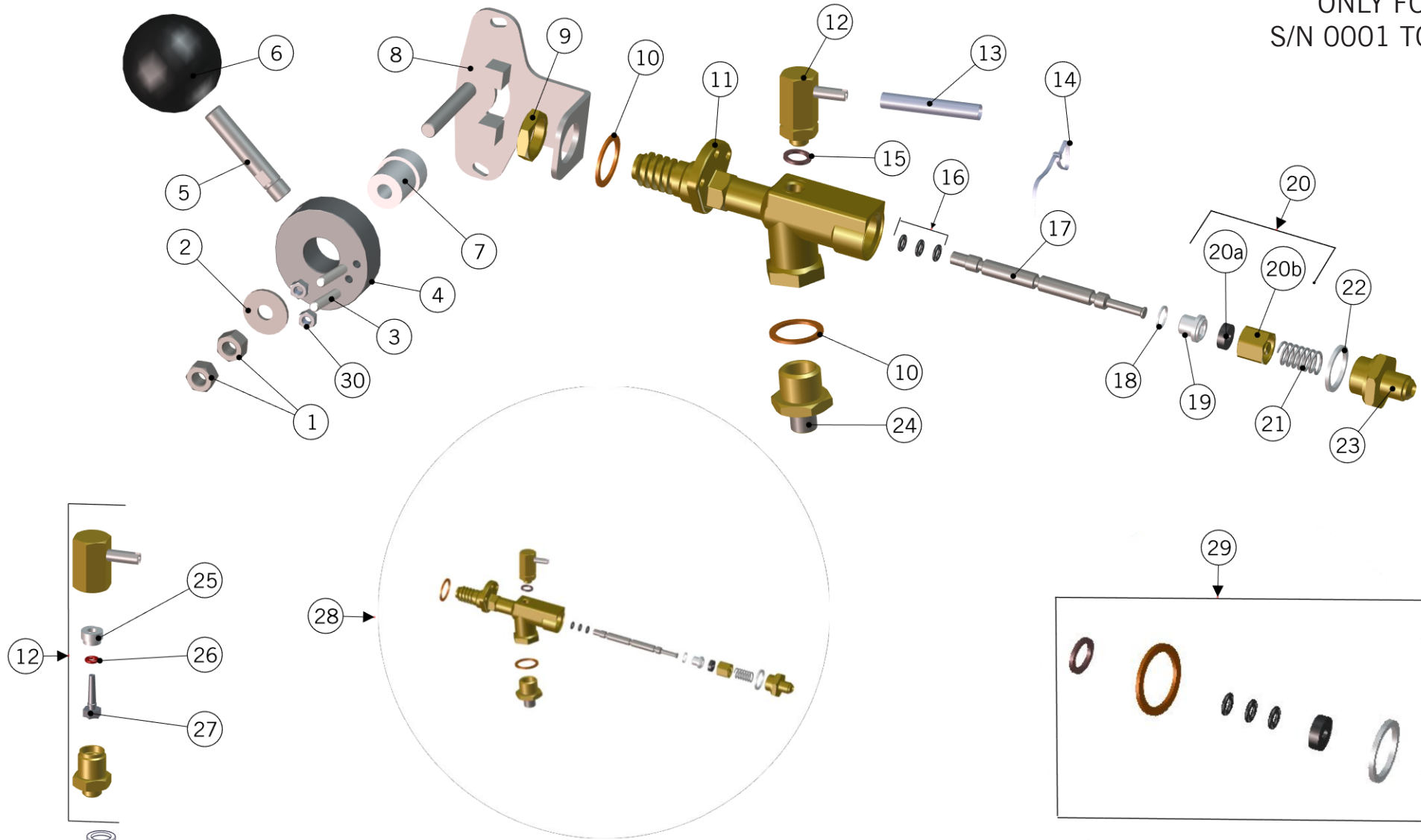


la marzocco

handmade in florence

# STEAM VALVE ASSEMBLY

ONLY FOR  
S/N 0001 TO 479





la marzocco

handmade in florence

# STEAM VALVE ASSEMBLY

Rubinetto Vapore

1	L1002	NUT M8 H8 WR13 S/S A2	DADO M8 H8 CH13 INOX A2
2	L1003/1	WASHER 8,5X24X2,1 S/S A2	RONDELLA 8,5X24X2,1 INOX A2
3	I.1.037	S/S STUD FOR STEAM VALVE CAM	PERNO INOX PER CAMMA VAPORE
4	F.1.027	CAMMA LEVA VAPORE STRADA	CAMMA LEVA VAPORE STRADA
5	A.5.012	LEVER STEAM VALVE STRADA	LEVA RUBINETTO VAPORE STRADA
6	F.1.023	STEAM LEVER KNOB STRADA	MANOPOLA LEVA VAPORE STRADA
7	F.4.011	BOCCOLA PTFE RUBINETTO VAPORE STRADA	BOCCOLA PTFE RUBINETTO VAPORE STRADA
8	C.1.085.01	STAFFA RUB. VAPORE STRADA MP	STAFFA RUB. VAPORE STRADA MP
9	L037/D	NUT G1/2 H6 WR24 BRASS	DADO G1/2 H6 CH24 OTTONE
10	L260/1A	WASHER 21X27X1,5 COPPER	RONDELLA 21X27X1,5 RAME
11	A.1.001.R	STEAM VALVE BODY TREATED	CORPO RUBINETTO VAPORE GB5 TRATTATO
12	L192.02	ANTI-SUCTION VALVE RP	VALVOLA ANTI-DEPRESSIONE X RUBINETTO RP
13	T.4.001	ANTISUCTION VALVE SILICONE TUBE	TUBO SILICONE 5X8 V. ANTIRISUCCHIO
14	L338/L100	PLASTIC FASTENER 100X2.5	FASCETTA FERMAFILO 98X2.5
15	B.1.001.TR	SPECIAL WASHER 10X14X1,6 COPPER	RONDELLA SPECIALE 10X14X1,6 RAME
16	H.1.005	ORING 2-009 VITON	OR VITON PER ASTA RUB. VAP.
17	A.1.002	GB5-STRADA MP STEAM VALVE SHAFT	ASTA D8 RUBINETTO VAPORE GB5-STRADA MP
18	F.4.001	TEFLON GASKET 12X9.8X1	GUARNIZIONE TEFLON 12X9.8X1
19	F.3.007	S/S STEAM VALVE SEAT	SEDE AISI 316 PER RUB. GB/5
20	B.2.010	STEAM VALVE SEAL ASSEMBLY	VALVOLA ES16 RUB VAP MISTRAL
20a	H.2.001	EPDM STEAM VALVE SEAL GASKET	GUARNIZ. TENUTA RUB. VAP. GB/5
20b	A.1.004.01	STEAM VALVE SEAL HOLDER TREATED	RACC. GUARN. TENUTA C/TRATT. RUVECO PLUS
21	F.3.005.01	SPRING COMPRESSION 1,2X11,7X29,5 S/S	MOLLA A COMPRESSIONE 1,2X11,7X29,5 INOX
22	H.2.002	PTFE GASKET 24X19X2mm	GUARNIZIONE PTFE 24X19X2mm
<b>Item</b>	<b>Part number/Codice</b>	<b>Description</b>	<b>Descrizione</b>



la marzocco

handmade in florence

## STEAM VALVE ASSEMBLY

Rubinetto Vapore	23	A.1.003.01	GB5 STEAM VALVE INLET FITTING TREATED	RACCORDO INGRESSO RUB. VAP. GB5 TRATTATO	
	24	A.1.018.01	FITTING G1/2M-1/4M WR27 BRASS TREATED	RACCORDO G1/2M-1/4M CH27 OTTONE TRATTATO	
	25	<a href="#">B.3.001</a>	PTFE ANTI-SUCTION VALVE SEAL	PASTIGLIA TEFLON X VALV. ANTI	
	26	<a href="#">H.1.001</a>	O-RING 3,69x1,78 VITON FDA	O-RING 3,69x1,78 VITON FDA	
	27	B.2.013.01	ANTI-SUCTION VALVE SHAFT TREATED	ALBERINO V. ANTIRISUCCHIO TRATTATA	
	28	B.1.007.01	STRADA MP STEAM VALVE TREATED	RUBINETTO VAPORE STRADA MP TRATTATO	
	29	<a href="#">B.1.007.K</a>	REBUILD KIT STRADA MP STEAM VALVE	KIT MANUTENZIONE RUB. VAP. STRADA MP	
	30	DADO5M_INOX	NUT M5 H4 WR8 S/S A2	DADO M5 H4 CH8 INOX A2	
	Item	Part number/Codice		Description	Descrizione

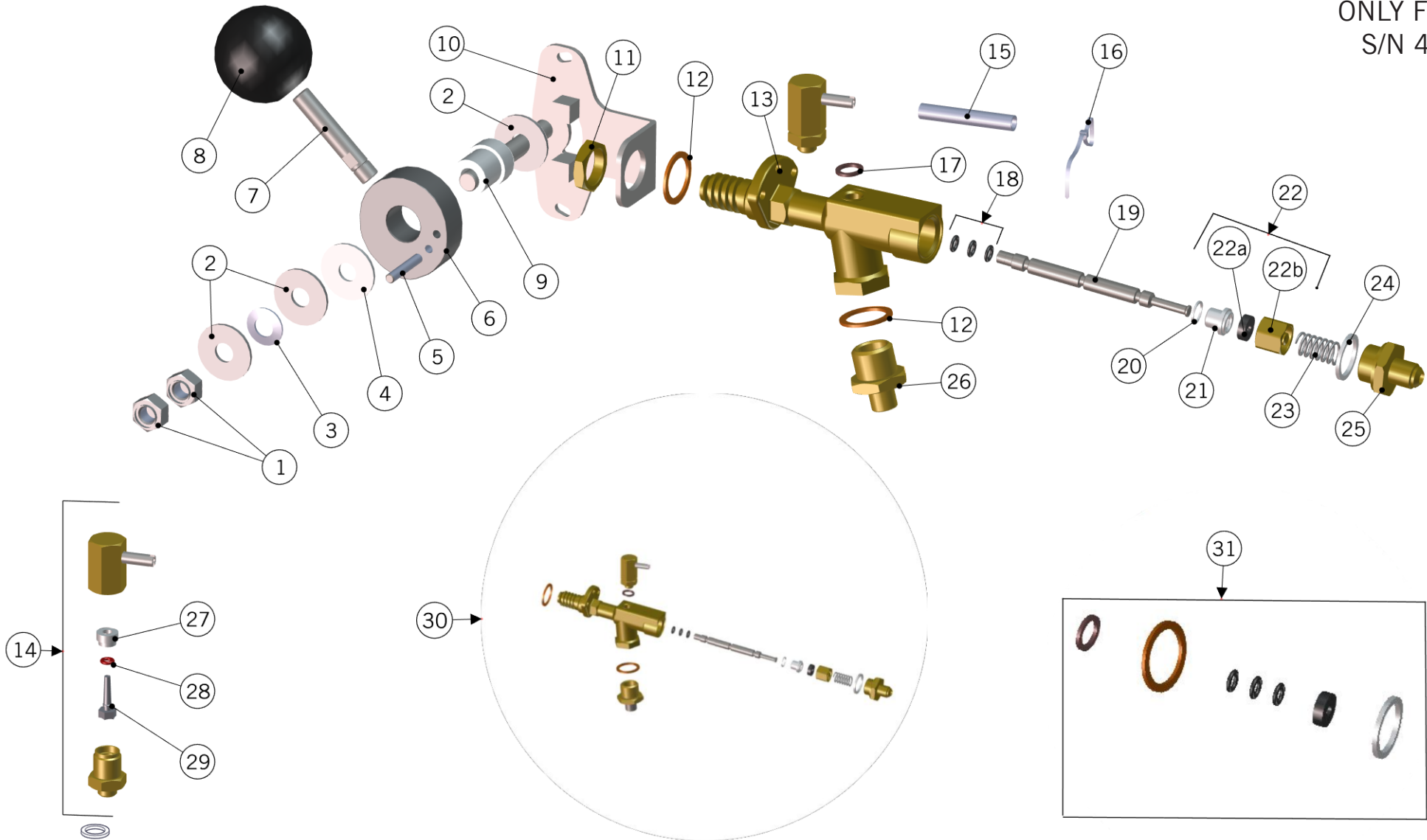


la marzocco

handmade in florence

# STEAM VALVE ASSEMBLY

ONLY FROM  
S/N 480





la marzocco

handmade in florence

# STEAM VALVE ASSEMBLY

## Rubinetto Vapore

1	<a href="#">I.1.034</a>	NUT M10 H7,8 WR17 S/S A2	DADO M10 H7,8 CH17 INOX A2
2	<a href="#">I.1.033</a>	WASHER 10,7X30X2 S/S A2	RONDELLA 10,7X30X1,8 INOX A2
3	<a href="#">I.5.003</a>	BELLEVILLE SPRING 10X20X1,3	MOLLA A TAZZA 10X20X1,3
4	<a href="#">F.1.032</a>	LOW TEFLON WASHER PADDLE EP	RONDELLA TEFLON BASSA PADDLE EP
5	<a href="#">I.1.037</a>	S/S STUD FOR STEAM VALVE CAM	PERNO INOX PER CAMMA VAPORE
6	<a href="#">F.1.027</a>	CAMMA LEVA VAPORE STRADA	CAMMA LEVA VAPORE STRADA
7	<a href="#">A.5.012</a>	LEVER STEAM VALVE STRADA	LEVA RUBINETTO VAPORE STRADA
8	<a href="#">F.1.023</a>	STEAM LEVER KNOB STRADA	MANOPOLA LEVA VAPORE STRADA
9	F.4.011.01	CAM BUSHING PTFE STRADA STEAM	BOCCOLA PTFE VAPORE STRADA
10	C.1.085.02	STRADA STEAM LEVER BRACKET	STAFFA LEVA VAPORE STRADA
11	<a href="#">L037/D</a>	NUT G1/2 H6 WR24 BRASS	DADO G1/2 H6 CH24 OTTONE
12	<a href="#">L260/1A</a>	WASHER 21X27X1,5 COPPER	RONDELLA 21X27X1,5 RAME
13	L192.02	ANTI-SUCTION VALVE RP	VALVOLA ANTI-DEPRESSIONE X RUBINETTO RP
14	<a href="#">T.4.001</a>	ANTISUCTION VALVE SILICONE TUBE	TUBO SILICONE 5X8 V. ANTIRISUCCHIO
15	<a href="#">L338/L100</a>	PLASTIC FASTENER 100X2.5	FASCETTA FERMAFILO 98X2.5
16	<a href="#">L100/D</a>	WASHER 10X14X1,5 COPPER	RONDELLA 10X14X1,5 RAME
17	<a href="#">H.1.005</a>	ORING 2-009 VITON	OR VITON PER ASTA RUB. VAP.
18	<a href="#">A.1.002</a>	GB5-STRADA MP STEAM VALVE SHAFT	ASTA D8 RUBINETTO VAPORE GB5-STRADA MP
19	<a href="#">F.4.001</a>	TEFLON GASKET 12X9.8X1	GUARNIZIONE TEFLON 12X9.8X1
20	<a href="#">F.3.007</a>	S/S STEAM VALVE SEAT	SEDE AISI 316 PER RUB. GB/5
21	<a href="#">B.2.010</a>	STEAM VALVE SEAL ASSEMBLY	VALVOLA ES16 RUB VAP MISTRAL
22a	<a href="#">H.2.001</a>	EPDM STEAM VALVE SEAL GASKET	GUARNIZ. TENUTA RUB. VAP. GB/5
22b	A.1.004.01	STEAM VALVE SEAL HOLDER TREATED	RACC. GUARN. TENUTA C/TRATT. RUVECO PLUS
<b>Item</b>	<b>Part number/Codice</b>	<b>Description</b>	<b>Descrizione</b>



la marzocco

handmade in florence

## STEAM VALVE ASSEMBLY

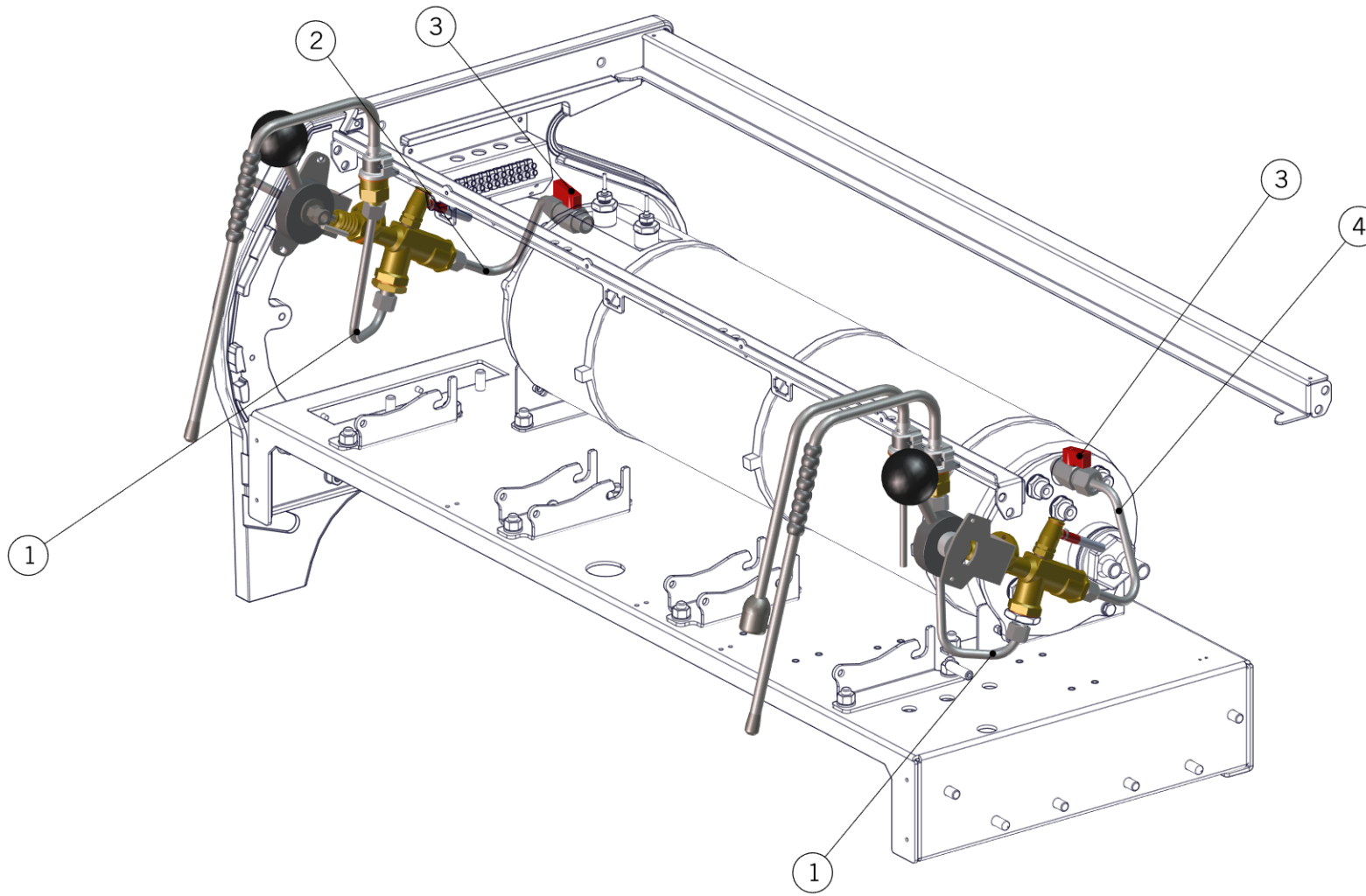
Rubinetto Vapore	23	F.3.005.01	SPRING COMPRESSION 1,2X11,7X29,5 S/S	MOLLA A COMPRESSIONE 1,2X11,7X29,5 INOX
	24	<a href="#">H.2.002</a>	PTFE GASKET 24X19X2mm	GUARNIZIONE PTFE 24X19X2mm
	25	A.1.003.01	GB5 STEAM VALVE INLET FITTING TREATED	RACCORDO INGRESSO RUB. VAP. GB5 TRATTATO
	26	A.1.018.01	FITTING G1/2M-1/4M WR27 BRASS TREATED	RACCORDO G1/2M-1/4M CH27 OTTONE TRATTATO
	27	<a href="#">B.3.001</a>	PTFE ANTI-SUCTION VALVE SEAL	PASTIGLIA TEFLON X VALV. ANTI
	28	<a href="#">H.1.001</a>	O-RING 3,69x1,78 VITON FDA	O-RING 3,69x1,78 VITON FDA
	29	B.2.013.01	ANTI-SUCTION VALVE SHAFT TREATED	ALBERINO V. ANTIRISUCCHIO TRATTATA
	30	B.1.007.01	STRADA MP STEAM VALVE TREATED	RUBINETTO VAPORE STRADA MP TRATTATO
	31	<a href="#">B.1.007.K</a>	REBUILD KIT STRADA MP STEAM VALVE	KIT MANUTENZIONE RUB. VAP. STRADA MP
	Item	Part number/Codice	Description	



la marzocco

handmade in florence

# HYDRAULIC ASSEMBLY





la marzocco

handmade in florence

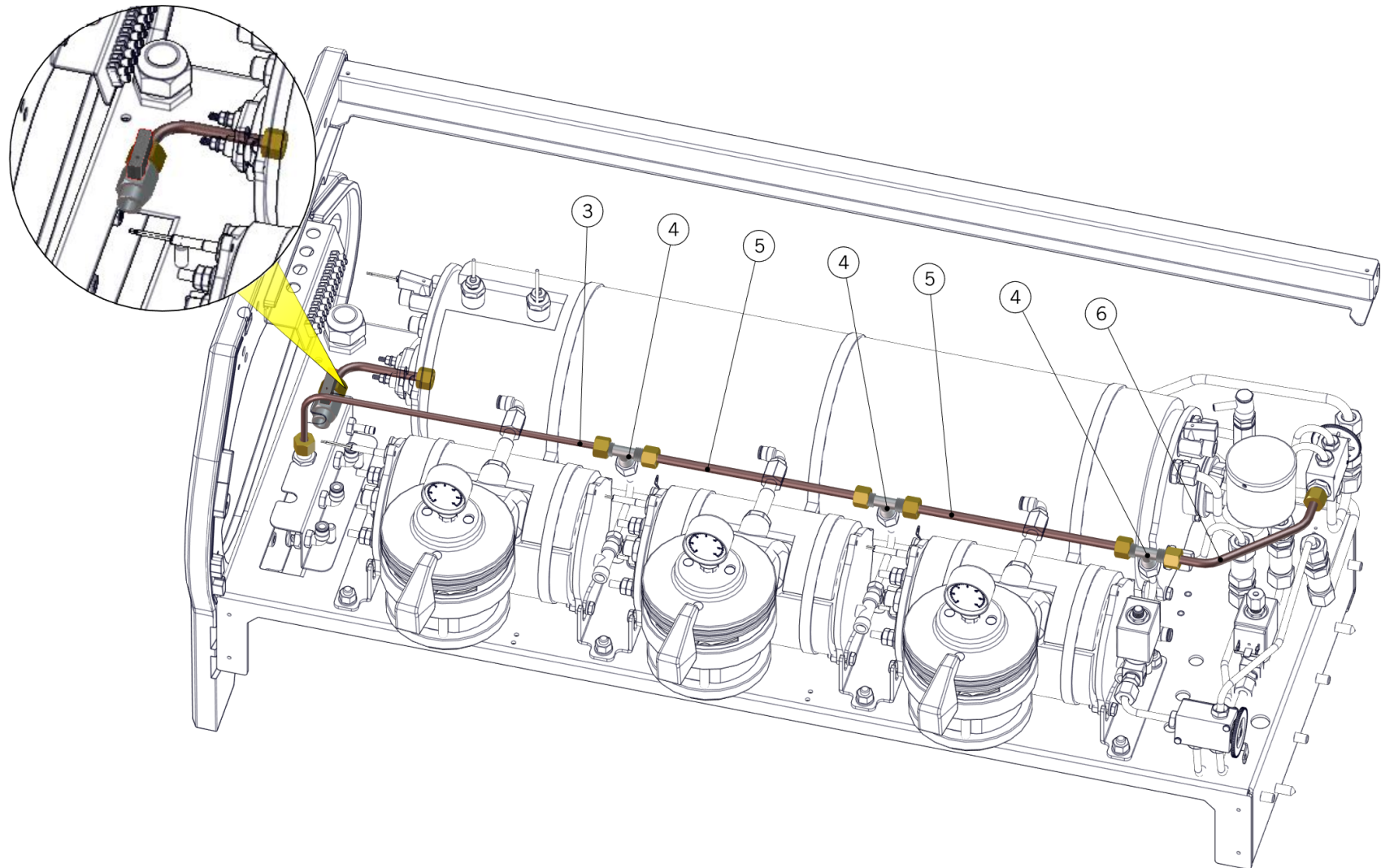
## HYDRAULIC ASSEMBLY

Impianto Idraulico	1	T.1.110.01	TUBE STEAM V.-STEAM WAND STRADA MP TR.	TUBO RUB.VAP.-LANCIA VAP. STRADA MP TR.
	2	T.1.108.01	TUBE S.B.-LEFT STEAM V. STRADA MP TR.	TUBO C.VAPORE-RUB.VAP. SX STRADA MP TR.
	3	<a href="#">L164/MM.02</a>	BALL VALVE WITH METAL KNOB TREATED	RUBINETTO A SFERA 3/8 M-M TRATTATO
	4	T.1.109.01	TUBE S.B.-RIGHT STEAM V. STRADA MP TR.	TUBO C.VAPORE-RUB.VAP. DX STRADA MP TR.
	Item	Part number/Codice	Description	



**la marzocco**  
handmade in florence

# HYDRAULIC ASSEMBLY





la marzocco

handmade in florence

## HYDRAULIC ASSEMBLY

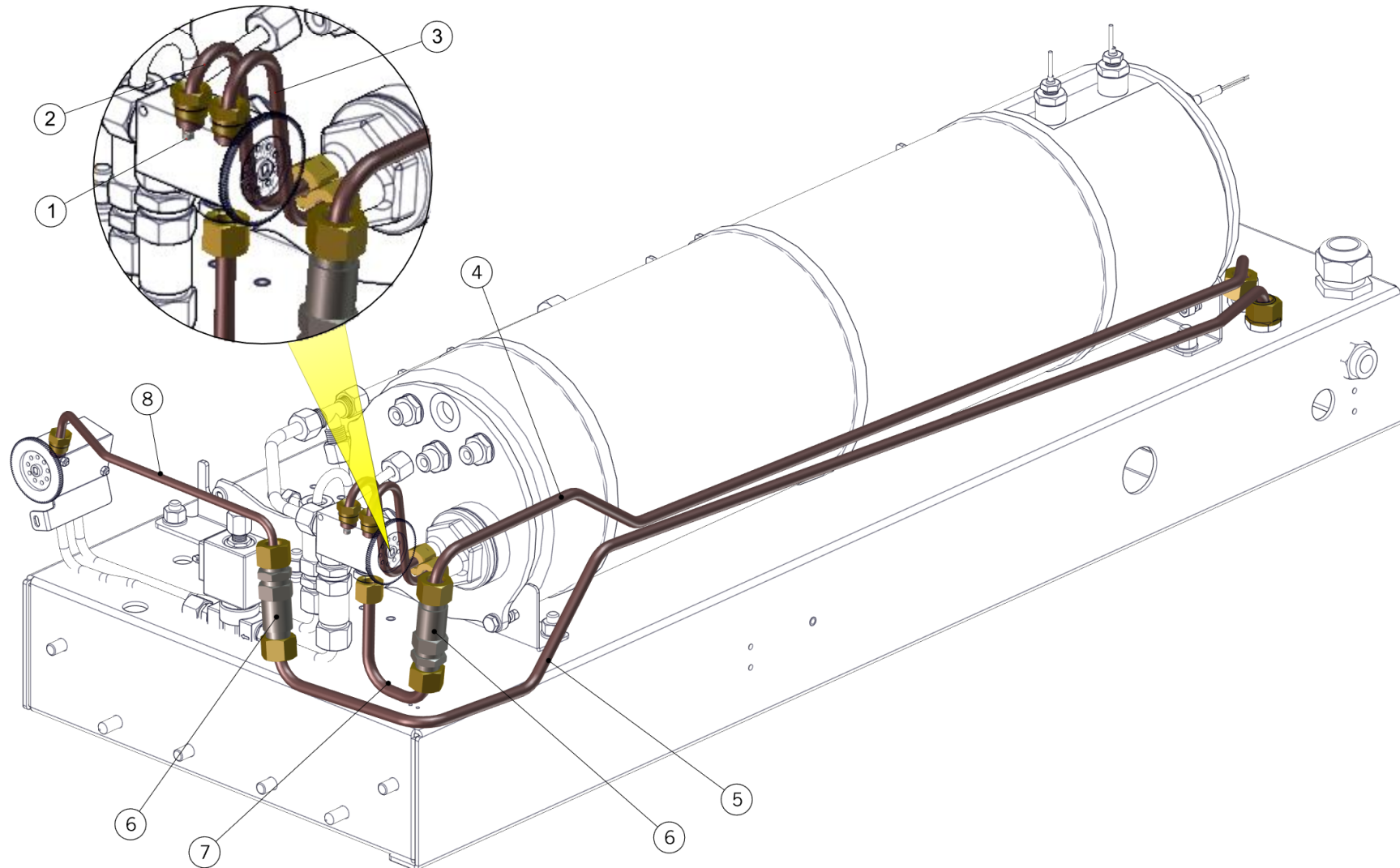
Impianto Idraulico	1	<a href="#">L164/MM.02</a>	BALL VALVE WITH METAL KNOB TREATED	RUBINETTO A SFERA 3/8 M-M TRATTATO
	2	<a href="#">T.1.123</a>	DRAIN TUBE STEAM BOILER STRADA	TUBO SCARICO CALDAIA VAPORE STRADA
	3	<a href="#">T.1.114</a>	TUBE C.B.1 TEE - EXP.VALVE STRADA 3MP	TUBO T C.CAFFE'1-V. ESPANSIONE STRADA MP
		<a href="#">T.1.137</a>	TUBE COFFEE B.1 - EXP.V.1 STRADA EP	TUBO C.CAFFE'1 - V.ESP.1 STRADA EP
	4	A.2.002.01	TEE FITTING R1/4M WR13 BRASS TREATED	RACCORDO A T R1/4M CH13 OTTONE TRATT.
	5	<a href="#">T.1.113</a>	TUBE COFFEE B. CONNECTION STRADA MP	TUBO COLLEGAMENTO C.CAFFE' STRADA MP
	6	<a href="#">T.1.111</a>	TUBE MIX V. - COFFEE B. TEE STRADA	TUBO V.MISC. - T C.CAFFE' STRADA
Item	Part number/Codice	Description		Descrizione



la marzocco

handmade in florence

# HYDRAULIC ASSEMBLY





la marzocco

handmade in florence

## HYDRAULIC ASSEMBLY

### Impianto Idraulico

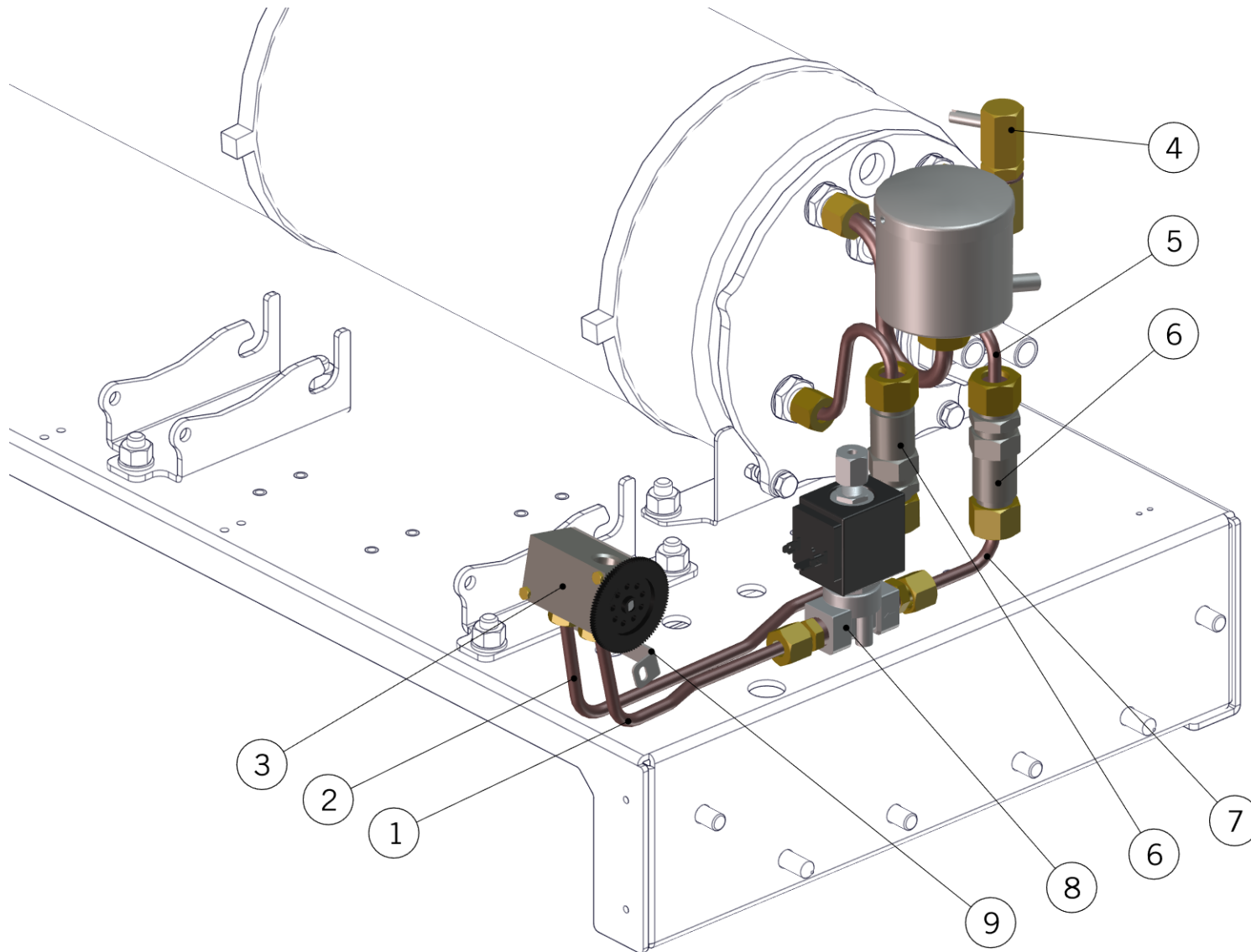
1	B.2.011.01	MIXING VALVE GIGLEUR D 1,5mm	GIGLEUR D 1,5mm VALVOLA MISCELAZIONE
2	<a href="#">T.1.107</a>	TUBE PRE-HEATER - MIXING VALVE STRADA	TUBO PRERISC. - V. MISC. STRADA
3	<a href="#">T.1.106</a>	TUBE MIXING VALVE - PRE-HEATER STRADA	TUBO V.MISC. - PRERISC. STRADA
4	<a href="#">T.1.103</a>	TUBE INLET MANIFOLD-CHECK V. COFFEE 3GR	TUBO ANCORAGGIO - V.RITEGNO CAFFE' 3GR
	<a href="#">T.1.140</a>	TUBE INLET MANIFOLD-COFFEE CHECK V. 2GR	TUBO ANCORAGGIO - V.RITEGNO CAFFE' 2GR
5	<a href="#">T.1.105</a>	TUBE INLET MANIFOLD - STEAM CHECK V. 3GR	TUBO ANCORAGGIO - V.RITEGNO VAPORE 3GR
	<a href="#">T.1.141</a>	TUBE INLET MANIFOLD-STEAM CHECK V. 2GR	TUBO ANCORAGGIO - V.RITEGNO VAPORE 2GR
6	L032/P.01	CHECK VALVE G3/8M TREATED	VALVOLA DI RITEGNO G3/8M TRATTATA
7	<a href="#">T.1.104</a>	TUBE CHECK V. - COFFEE MIXING V. STRADA	TUBO V.RITEGNO - V.MISC. CAFFE' STRADA
8	<a href="#">T.1.115</a>	TUBE CHECK V. - TEA MIX V. STRADA	TUBO V.RITEGNO - V.MISC. TE' STRADA
<b>Item</b>	<b>Part number/Codice</b>	<b>Description</b>	<b>Descrizione</b>



la marzocco

handmade in florence

# HYDRAULIC ASSEMBLY





la marzocco

handmade in florence

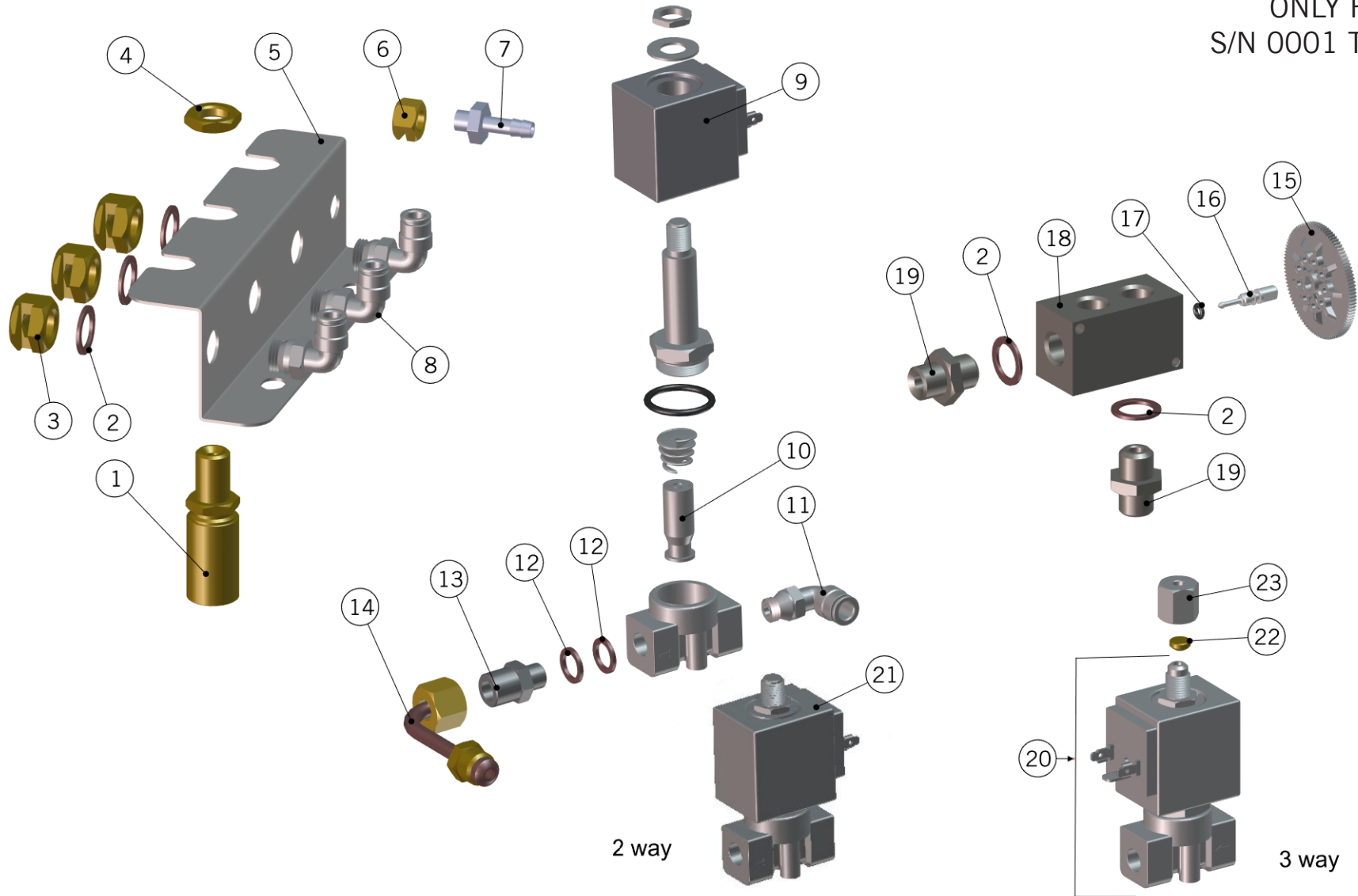
## HYDRAULIC ASSEMBLY

### Impianto Idraulico

1	<a href="#">T.1.116</a>	TUBE MIX V.-AUTOFILL SOLENOID V. STRADA	TUBO V.MISC. - EV RIEMPIMENTO STRADA
2	<a href="#">T.1.120</a>	TUBE CHECK V. - TEA MIX V. STRADA	TUBO V.RITEGNO - V.MISC. TE' STRADA
3	B.2.007.01	MIXING VALVE BODY TREATED	CORPO VALVOLA MISCELATRICE TRATTATA
4	L193.02	VACUUM BREAKER VALVE RP	VALVOLA ANTIDEPRESSIONE GS/3 RP
5	<a href="#">T.1.118</a>	TUBE CHECK VALVE - IN. STEAM B. STRADA	TUBO V.RITEGNO - INGR. C.VAPORE STRADA
6	<a href="#">L032/P.01</a>	CHECK VALVE G3/8M TREATED	VALVOLA DI RITEGNO G3/8M TRATTATA
7	<a href="#">T.1.117</a>	TUBE AUTOFILL SOLENOID V. - CHECK VALVE	TUBO EV. RIEMP. - VALVOLA DI RITEGNO
8	<a href="#">L100/E.02</a>	3 WAY SOLENOID VALVE BDV 220/240AC 50-6	ELETTROVALVOLA 3 VIE CON BOBINA
	<a href="#">L100/E200.01</a>	3 WAY SOLENOID VALVE 200V	ELETTROVALVOLE 3 VIE
9	<a href="#">C.1.087</a>	BRACKET MIXING VALVE HOT WATER STRADA	STAFFA V. MISCELAZIONE TE' STRADA
<b>Item</b>	<b>Part number/Codice</b>	<b>Description</b>	<b>Descrizione</b>

# FITTING AND VALVES

ONLY FOR  
S/N 0001 TO 0152





**la marzocco**

handmade in florence

# FITTING AND VALVES

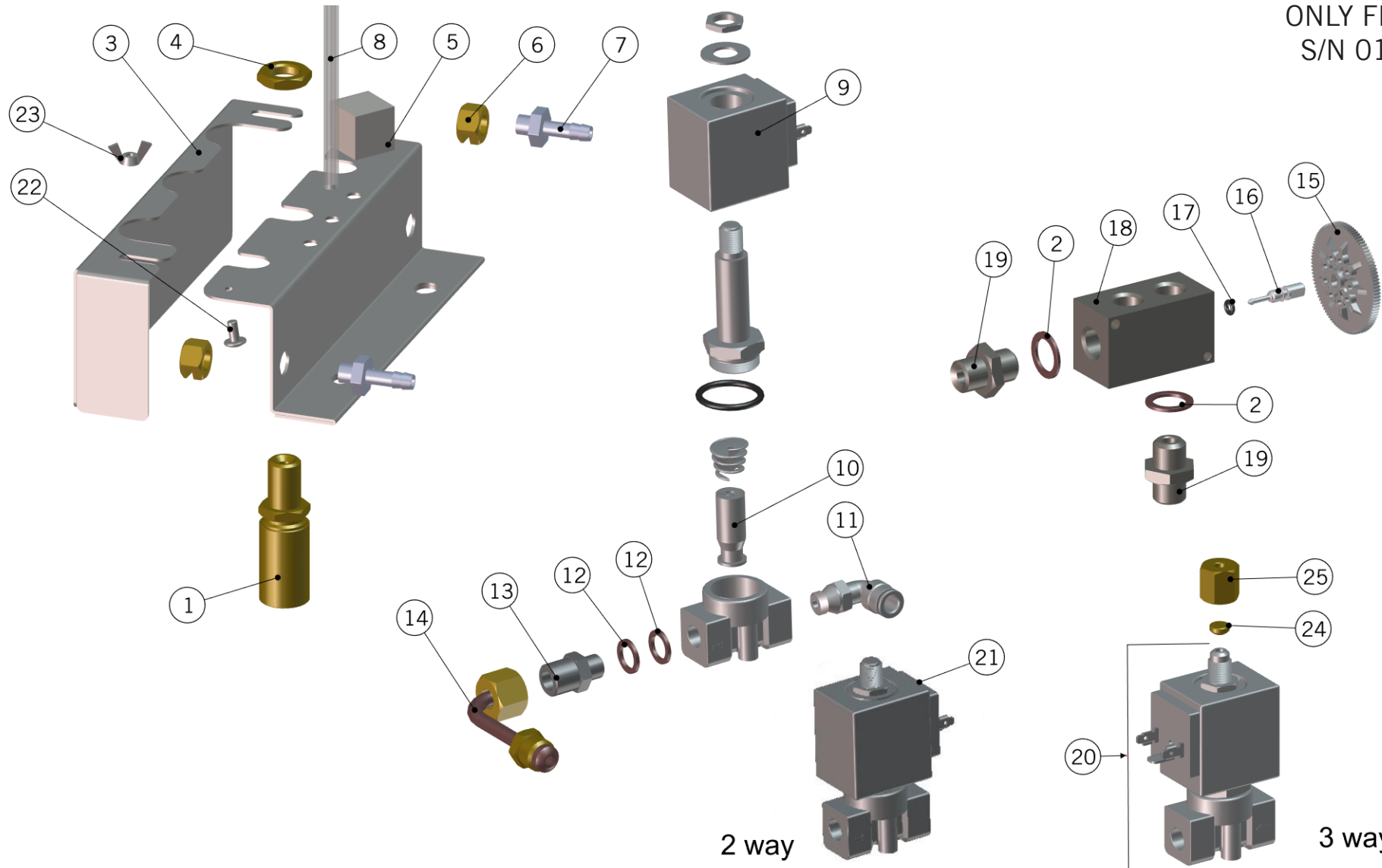
**Raccordi e Valvole**

1	L140_C	COMPLETE EXPANSION VALVE	VALVOLA ESPANSIONE COMPLETA
2	L100/1A	WASHER 13,5X19X1,5 COPPER	RONDELLA 13,5X19X1,5 RAME
3	L037/3R	BREAK-DRAIN FOR SOLENOID VALVE	ROMPIGETTO ES.19 MM.
4	L146	NUT G1/4 H4,5 WR19 BRASS	DADO G1/4 H4,5 CH19 OTTONE
5	C.1.095.01	BRACKET DRAINS SUPPORT STRADA	STAFFA SCARICHI STRADA
6	A.1.020	G1/8" BRASS BREAK FITTING	ROMPIGETTO 1/8 CH14
7	L292	GS/3 TUBE FITTING	PORTAGOMMA GS/3
8	A.2.103	FITTING PUSH-IN 90# 6-R1/4 BRASS TREATED	RACCORDO RAPIDO A 90# 6-R1/4 OTTONE TR.
9	L100/G.01	SV COIL 220-240V 8W UL CSA VDE	BOBINA EV 220-240V 8W UL CSA VDE
	L100/G200	SOLENOID COIL 200V	BOBINA PER ELETTROVALVOLA 200V
10	L100/H	3-WAY SOLENOID VALVE PLUNGER	NUCLEO MOBILE X EV.3 VIE
11	A.2.101.01	FITTING PUSH-IN 90# 1/4"-G1/8 S/S	RACCORDO RAPIDO A 90# 1/4"-G1/8 INOX
12	L100/D	WASHER 10X14X1,5 COPPER	RONDELLA 10X14X1,5 RAME
13	L053/1.01	M G1/8" - M G1/4" FITTING TREATED	RACCORDO M.1/8-M.1/4 X EV. TRATT.
14	T.1.121	TUBE MIXING VALVE-TEA SOLENOID V.STRADA	TUBO V.MISC. - EV ACQUA CALDA STRADA
15	F.1.016	THERMOSTATIC VALVE ADJUSTMENT KNOB	GHIERA REGOLAZIONE VALVOLA TERMOSTATICA
16	F.3.008	THERMOSTATIC VALVE PIN	SPINA X VALV. TERMOSTATICA
17	H.1.007	VITON OR-THERMOSTATIC VALVE	OR VITON X VALV. TERMOST. GS/3
18	B.2.007.01	MIXING VALVE BODY TREATED	CORPO VALVOLA MISCELATRICE TRATTATA
19	A.5.019	NIPPLE G1/4M-G1/4M WR19 H21.5 BRASS TR.	NIPPLO G1/4M-G1/4M CH19 H21.5 OTT. TR.
20	L100/E.02	3 WAY SOLENOID VALVE BDV 220/240AC 50-6	ELETTROVALVOLA 3 VIE CON BOBINA
	L100/E200.01	3 WAY SOLENOID VALVE 200V	ELETTROVALVOLE 3 VIE
21	L053.02	2-WAY SOLENOID VALVE 220/240V - 50/60HZ	ELETTROVALVOLA 2 VIE AISI 316L
	L053/200.01	2WAY SOLENOID VALVE 200VOLTS AISI 316L	ELETTROVALVOLE 2 VIE AISI 316L
22	L134/4	8mm BLIND FERRULE	GHIANDINA DM.8 CHIUSA - NICK . AL
23	L134	G1/8" F NUT - 4,5mm HOLE	RACCORDO F.1/8 ES.14 FORO 4.5
<b>Item</b>	<b>Part number/Codice</b>	<b>Description</b>	<b>Descrizione</b>



**la marzocco**  
handmade in florence

# FITTING AND VALVES



ONLY FROM  
S/N 0153

2 way

3 way



**la marzocco**

handmade in florence

## FITTING AND VALVES

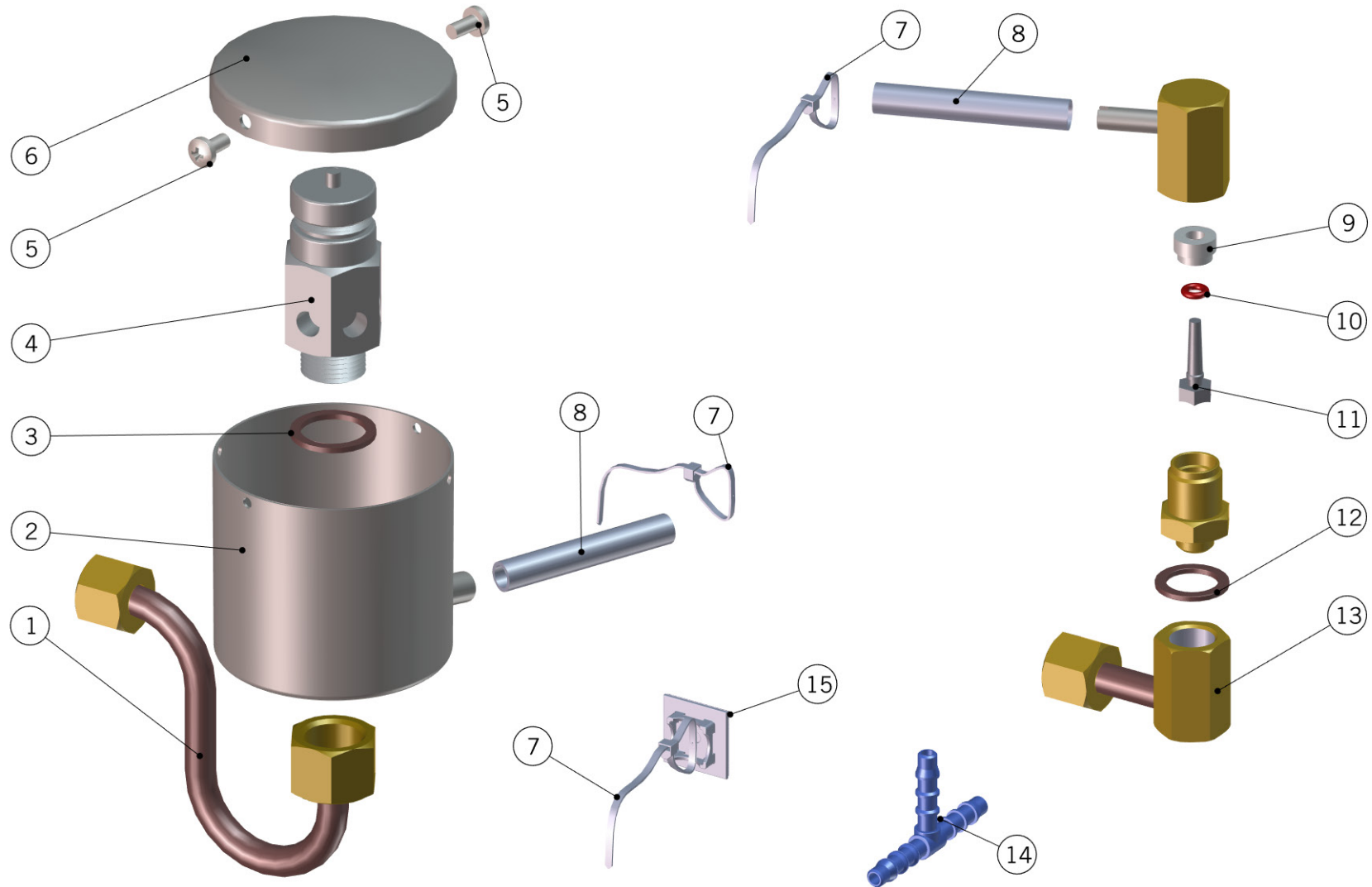
### Raccordi e Valvole

1	L140_C	COMPLETE EXPANSION VALVE	VALVOLA ESPANSIONE COMPLETA
2	L100/1A	WASHER 13,5X19X1,5 COPPER	RONDELLA 13,5X19X1,5 RAME
3	C.1.118	COVER DRAINS STRADA	COPERTURA SCARICHI STRADA
4	L146	NUT G1/4 H4,5 WR19 BRASS	DADO G1/4 H4,5 CH19 OTTONE
5	C.1.095.01	BRACKET DRAINS SUPPORT STRADA	STAFFA SCARICHI STRADA
6	A.1.020	G1/8" BRASS BREAK FITTING	ROMPIGETTO 1/8 CH14
7	L292	GS/3 TUBE FITTING	PORTAGOMMA GS/3
8	T.3.006	PTFE TUBE 6x4mm	TUBETTO PTFE 6*4mm
9	L100/G.01	SV COIL 220-240V 8W UL CSA VDE	BOBINA EV 220-240V 8W UL CSA VDE
	L100/G200	SOLENOID COIL 200V	BOBINA PER ELETTROVALVOLA 200V
10	L100/H	3-WAY SOLENOID VALVE PLUNGER	NUCLEO MOBILE X EV.3 VIE
11	A.2.101.01	FITTING PUSH-IN 90# 1/4"-G1/8 S/S	RACCORDO RAPIDO A 90# 1/4"-G1/8 INOX
12	L100/D	WASHER 10X14X1,5 COPPER	RONDELLA 10X14X1,5 RAME
13	L053/1.01	M G1/8" - M G1/4" FITTING TREATED	RACCORDO M.1/8-M.1/4 X EV. TRATT.
14	T.1.121	TUBE MIXING VALVE-TEA SOLENOID V.STRADA	TUBO V.MISC. - EV ACQUA CALDA STRADA
15	F.1.016	THERMOSTATIC VALVE ADJUSTMENT KNOB	GHIERA REGOLAZIONE VALVOLA TERMOSTATICA
16	F.3.008	THERMOSTATIC VALVE PIN	SPINA X VALV. TERMOSTATICA
17	H.1.007	VITON OR-THERMOSTATIC VALVE	OR VITON X VALV. TERMOST. GS/3
18	B.2.007.01	MIXING VALVE BODY TREATED	CORPO VALVOLA MISCELATRICE TRATTATA
19	A.5.019	NIPPLE G1/4M-G1/4M WR19 H21.5 BRASS TR.	NIPPLO G1/4M-G1/4M CH19 H21.5 OTT. TR.
20	L100/E.02	3 WAY SOLENOID VALVE BDV 220/240AC 50-6	ELETTROVALVOLA 3 VIE CON BOBINA
	L100/E200.01	3 WAY SOLENOID VALVE 200V	ELETTROVALVOLE 3 VIE
21	L053.02	2-WAY SOLENOID VALVE 220/240V - 50/60HZ	ELETTROVALVOLA 2 VIE AISI 316L
	L053/200.01	2WAY SOLENOID VALVE 200VOLTS AISI 316L	ELETTROVALVOLE 2 VIE AISI 316L
22	I.1.006	SCREW M4X8 PHILLIPS BUTTON HEAD S/S A2	VITE M4X8 TPB A CROCE INOX A2
23	I.1.035	WING NUT M4 H3 S/S A2	GALLETTO M4 H3 INOX A2
24	L134/4	8mm BLIND FERRULE	GHIANDINA DM.8 CHIUSA - NICK . AL
25	L134	G1/8" F NUT - 4,5mm HOLE	RACCORDO F.1/8 ES.14 FORO 4.5
<b>Item</b>	<b>Part number/Codice</b>	<b>Description</b>	<b>Descrizione</b>



la marzocco  
handmade in florence

# FITTING AND VALVES





la marzocco

handmade in florence

## FITTING AND VALVES

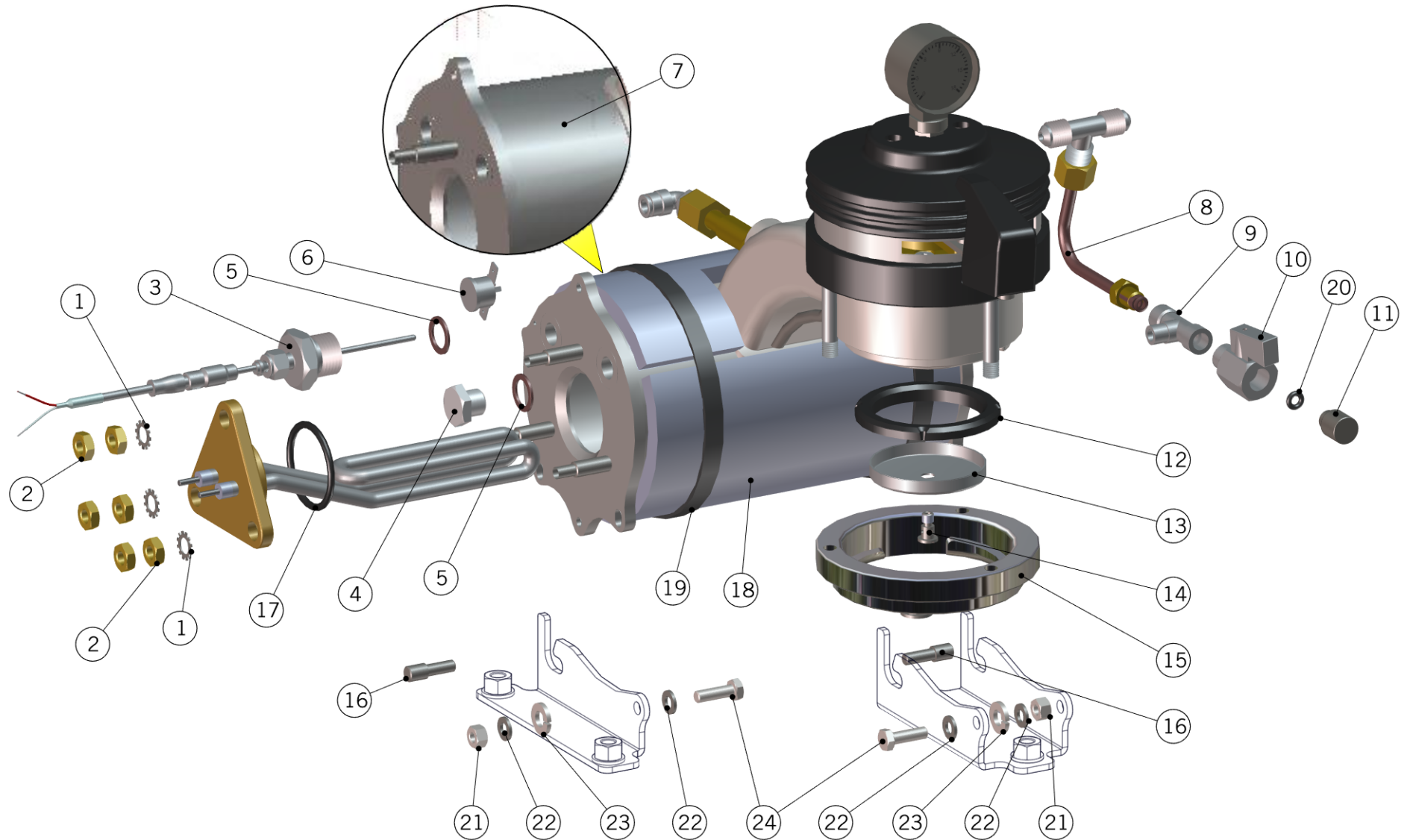
### Raccordi e Valvole

1	<a href="#">T.1.122</a>	TUBE STEAM B. - SAFETY VALVE STRADA	TUBO C.VAPORE - V. SICUREZZA STRADA
2	F.1.018.01	CUP SAFETY VALVE W/DRAIN TUBE	BICCHIERE VALVOLA SICUREZZA C/TUBO
3	<a href="#">L180/1</a>	WASHER 22X17X1,5 COPPER	RONDELLA 17X22X1,5 RAME
4	<a href="#">B.2.024</a>	SAFETY VALVE G3/8 1,8 BAR TEA	VALVOLA DI SICUREZZA G3/8 1,8 BAR TEA
5	<a href="#">I.1.006</a>	SCREW M4X8 PHILLIPS BUTTON HEAD S/S A2	VITE M4X8 TPB A CROCE INOX A2
6	<a href="#">F.1.019</a>	SAFETY VALVE PROTECTION CUP COVER	COPERCHIO BICCHIERE VALV. SICUREZZA
7	<a href="#">L338/L100</a>	PLASTIC FASTENER 100X2.5	FASCETTA FERMAFILO 98X2.5
8	<a href="#">T.4.001</a>	ANTISUCTION VALVE SILICONE TUBE	TUBO SILICONE 5X8 V. ANTIRISUCCHIO
9	<a href="#">B.3.001</a>	PTFE ANTI-SUCTION VALVE SEAL	PASTIGLIA TEFLON X VALV. ANTI
10	<a href="#">F.2.019</a>	O-RING 102 SILICONE 70SH ANTI-SUCTION V.	O-RING 102 SILICONE 70SH V.ANTIRISUCCHIO
11	B.2.013.01	ANTI-SUCTION VALVE SHAFT TREATED	ALBERINO V. ANTIRISUCCHIO TRATTATA
12	<a href="#">L100/1A</a>	WASHER 13,5X19X1,5 COPPER	RONDELLA 13,5X19X1,5 RAME
13	<a href="#">A.2.017</a>	FITTING FOR STEAM BOILER	RACCORDO CV VALV ANTI-DECOMPRES. GS/3
14	A.7.001.01	T FITTING FOR SILICONE TUBE	PORTAGOMMA A T PER TUBO SILICONE
15	<a href="#">5.V010</a>	FASTENER ADHESIVE SUPPORT	INCOLLINO
<b>Item</b>	<b>Part number/Codice</b>	<b>Description</b>	<b>Descrizione</b>



la marzocco  
handmade in florence

# COFFEE BOILER





la marzocco

handmade in florence

# COFFEE BOILER

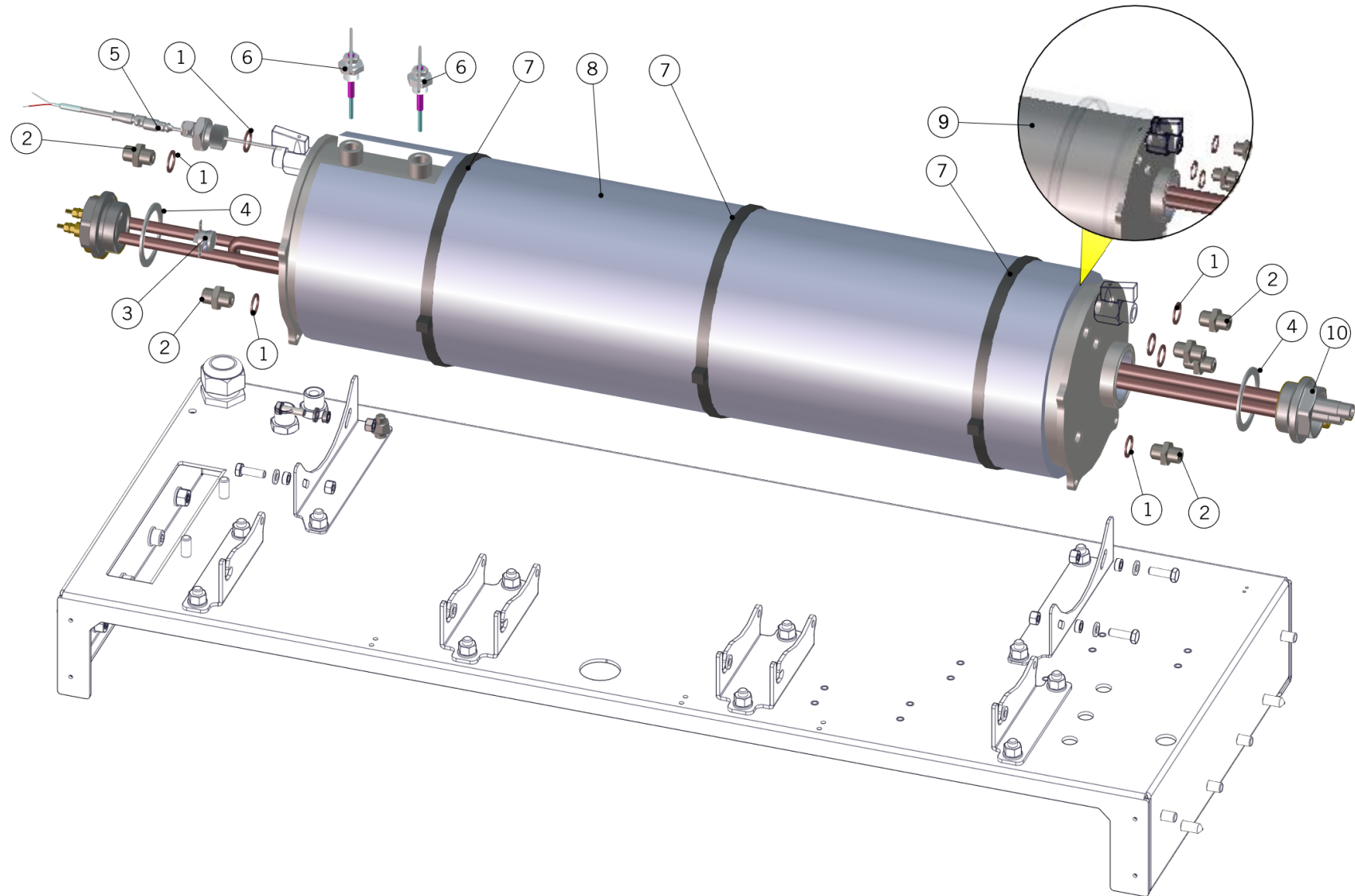
Caldaia Caffè

1	ROND_DENT_8	TOOTH LOCK WASHER 8X14,7X2 S/S A2	ROND.DENTATA 8,5X14,7X2 INOX A2
2	I.1.025	NUT M8 H5 WR13 BRASS	DADO BASSO M8 H5 CH13 (UNI5589) OTTONE
3	E.1.005	PT1000 TEMPERATURE PROBE	SONDA DI TEMPERATURA PT1000
4	A.5.022	S/S CAP 1/4	TAPPO 1/4 AISI 316L
5	L100/1A	WASHER 13,5X19X1,5 COPPER	RONDELLA 13,5X19X1,5 RAME
6	L276.01	KLIXON TRIP FREE 130° THERMOSTAT	TERMOSTATO KLIXON TRIP FREE TEMP 130°
7	L.1.001.01.R	COFFEE BOILER FLAT SIDE 1GR	CALDAIA CAFFE' FOND. PIATTI 1GR
8	T.1.112	TUBE COFFEE BOILER - TEE FITTING STRADA	TUBO CALDAIA CAFFE' - T STRADA
9	A.2.012.01	TEE FITTING G1/8M-G1/8F WR10 BRASS TR.	RACCORDO A T G1/8M-G1/8F-G1/8F CH10 TR.
10	B.2.016.01	CONIC VALVE WITH KNOB 1/8 VITON TREATED	RUBINETTO C/MANOPOLA 1/8 VITON CON. TR.
11	A.1.021	STRADA STM BOILER DRAIN VALVE CAP	TAPPO RUBINETTO SVUOTAGGIO C.CAFFE' STRA
12	H.3.001	GROUP GASKET NBR 72/63x55x8	GUARNIZIONE SOTTOCOPPA NBR 72/63x55x8
	H.3.002	GROUP GASKET NBR 72/63x55x9	GUARNIZIONE SOTTOCOPPA NBR 72/63x55x9
	H.3.007	GROUP GASKET SILICONE 71,6/55x8,2	GUARNIZ. SOTTOCOPPA SILICONE 71,6/55x8,2
13	F.3.040.01	COFFEE SHOWER SCREEN W/LOGO H6.5	DOCCETTA RINFORZATA C/LOGO H6.5
	L107	DIFFUSION SCREEN	DOCCETTA
14	L106/V.02	S/S DIFFUSER SCREW	VITE DIFFUSORE ACC.INOX 304L DM.10
15	L109.01	BAYONET RING	ANELLO CROMATO
16	A.5.011	COFFEE BOILER PIN STRADA S/S	PERNO CALDAIA CAFFE' STRADA AISI 304
17	F.2.014	O-RING 3,53X37,69 VITON 70 ShA	O-RING 3,53X37,69 VITON 70 ShA
18	F.7.001	INSULATION PANEL STRADA COFFEE BOILER	ISOLANTE C. CAFFE' STRADA
19	A.5.016.01	PLASTIC FASTENER 750X7.5	FASCETTA NERA 750x7.5 NYLON
20	L171/2	SWIVEL WAND VITON O-RING	GUARNIZIONE OR 8-106 VITON
21	I.1.049	NUT M6 H5 WR10 S/S A2	DADO M6 H5 CH10 INOX A2
22	RONDELLA6X12	WASHER 6,4X12X1,5 S/S A2	RONDELLA 6,4X12X1,5 INOX A2
23	I.1.087	SPLIT WASHER 6X11X1,5 S/S A2	ROND.SPACCATA 6X11X1,5 INOX A2
24	I.1.058	SCREW M6X20 HEX HEAD S/S	VITE M6X20 TE INOX
<b>Item</b>	<b>Part number/Codice</b>	<b>Description</b>	<b>Descrizione</b>



**la marzocco**  
handmade in florence

# STEAM BOILER





la marzocco

handmade in florence

# STEAM BOILER

**Caldaia Vapore**

1	<a href="#">L100/1A</a>	WASHER 13,5X19X1,5 COPPER	RONDELLA 13,5X19X1,5 RAME
2	<a href="#">L037/3.01</a>	G1/4" NIPPLE FITTING	NIPPLO 1/4M. ES19 TRATT. TEA
3	<a href="#">L276</a>	ULUNIPOLAR SAFETY THERMOSTAT	TERMOSTATO SICUREZZA C°130 UNI
4	<a href="#">LR360</a>	1-1/4 HEATER ELEMENT GASKET	GUARNIZIONE PIANA DM.55X42X2
5	<a href="#">E.1.005</a>	PT1000 TEMPERATURE PROBE	SONDA DI TEMPERATURA PT1000
6	<a href="#">LA052</a>	WATER LEVEL PROBE	SONDA LIVELLO <a href="#">TL10/B</a> 140MM.
7	A.5.016.01	PLASTIC FASTENER 750X7.5	FASCETTA NERA 750x7.5 NYLON
8	F.7.002.01	INSULATION PANEL 2GR STRADA STEAM B.	ISOLANTE C. VAPORE STRADA 2GR
	F.7.003.01	INSULATION PANEL 3GR STRADA STEAM B.	ISOLANTE C. VAPORE STRADA 3GR
9	<a href="#">L.1.003.2.R</a>	STEAM BOILER FLAT SIDE 2GR	CALDAIA VAPORE FOND. PIATTI 2GR
	<a href="#">L.1.003.3.R</a>	STEAM BOILER FLAT SIDE 3GR	CALDAIA VAPORE FOND. PIATTI 3GR
10	T.1.015.02	PREHEATER 2GR L384 MM WITH Y JOINT	PRERISCALDATORE 2GR L 384 mm CON Y
	T.1.019.02	PREHEATER 3-4GR L584 MM WITH Y JOINT	PRERISCALDATORE 3-4GR L 584 MM CON Y
<b>Item</b>	<b>Part number/Codice</b>	<b>Description</b>	<b>Descrizione</b>



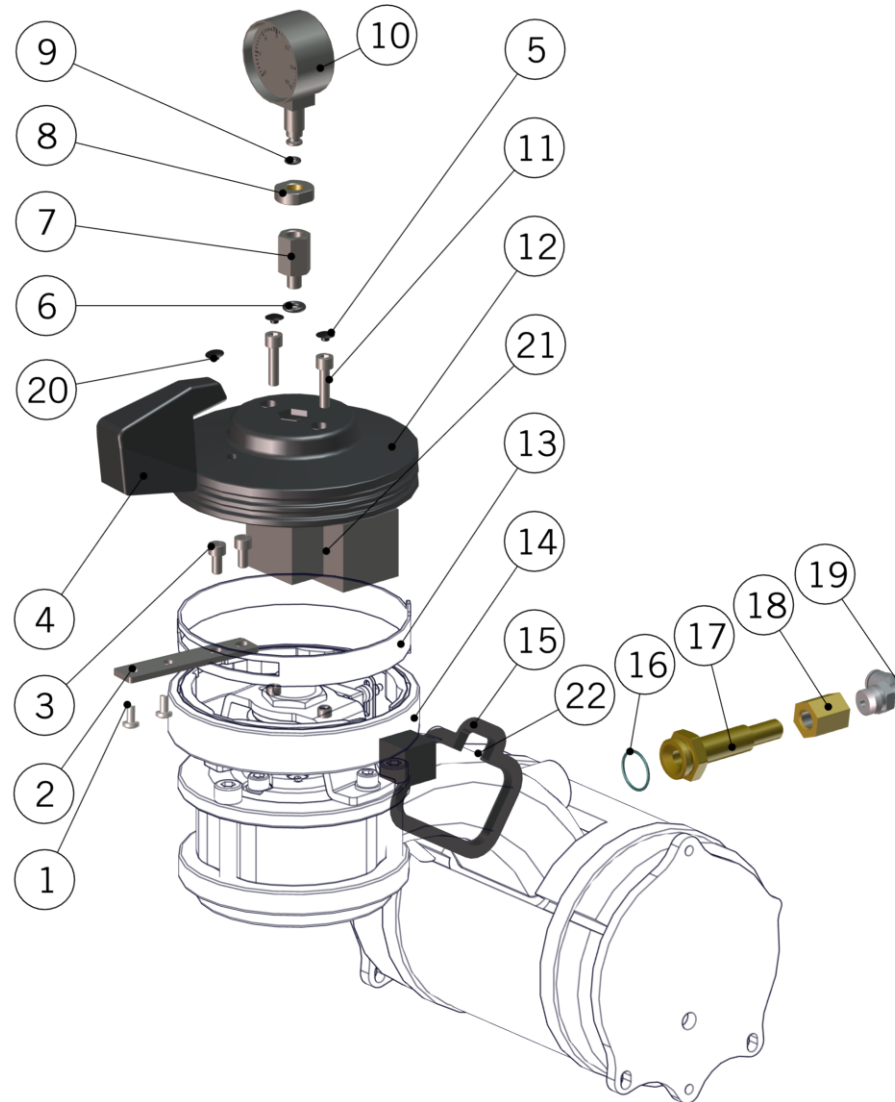
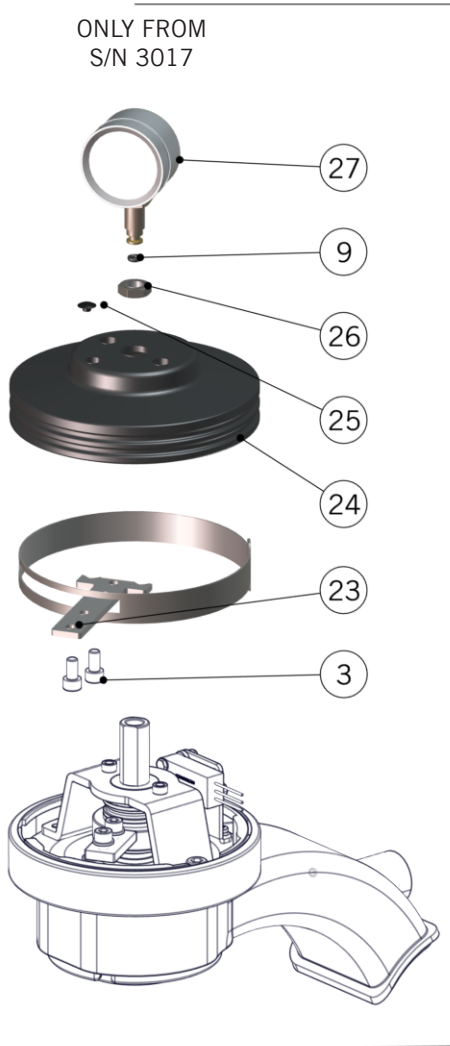
la marzocco

handmade in florence

# PADDLE VALVE

ONLY FOR  
S/N 0001 TO 3016

ONLY FROM  
S/N 3017





la marzocco

handmade in florence

# PADDLE VALVE

Paddle

1	<a href="#">I.1.006</a>	SCREW M4X8 PHILLIPS BUTTON HEAD S/S A2	VITE M4X8 TPB A CROCE INOX A2
2	<a href="#">C.1.125.01</a>	EXTENSION LEVER GROUP EP	ESTENSIONE LEVA GRUPPO EP
3	<a href="#">I.1.005</a>	SCREW M5X10 SOCKET CAP S/S A2	VITE M5X10 TC A BRUGOLA INOX A2
4	<a href="#">C.2.020</a>	HANDLE PADDLE LINEA	MANIGLIA PADDLE LINEA
5	<a href="#">F.1.022</a>	CAP FOR SOCKET HEAD SCREW M5	CAPPUCCIO PER VITE A BRUGOLA M5
6	<a href="#">H.1.020</a>	OR 3024 IN EPDM X ALTA TEMP.	OR 3024 IN EPDM X ALTA TEMP.
7	<a href="#">A.2.019</a>	FITTING G1/8F WR14 BRASS	RACCORDO G1/8F CH14 OTTONE
8	A.2.018.01	SPECIAL NUT G1/8 H6 CH17 BRASS NICKEL P.	DADO SPECIALE G1/8 H6 CH17 OTT.NICHELATO
9	<a href="#">H.1.021</a>	OR103 (OR2018) IN EPDM X ALTA TEMP	OR103 (OR2018) IN EPDM X ALTA TEMP
10	<a href="#">E.3.009</a>	PRESSURE BEIGE GAUGE 0-18 VERTICAL	MANOMETRO BEIGE 0-18 VERTICALE
11	<a href="#">I.1.028</a>	SCREW M5X20 SOCKET CAP S/S	VITE M5X20 TC A BRUGOLA INOX
12	<a href="#">F.1.020.MP</a>	EXPOSED GROUP COVER W/PRESSURE GAUGE	COPERTURA GRUPPO ESPOSTO C/MANOMETRO
13	<a href="#">C.1.068.02</a>	RING W/SLOT EXPOSED GROUP	ANELLO C/FERITOIA GRUPPO ESPOSTO
14	<a href="#">F.1.021</a>	EXPOSED GROUP COVER RING GS3 MP	ANELLO COPERTURA GRUPPO ESPOSTO GS3 MP
15	<a href="#">F.1.025</a>	STRADA GROUP NECK SILICONE GASKET	GUARNIZIONE SILICONE COLLO GRUPPO STRADA
16	<a href="#">H.1.022</a>	O-RING 1,78X15,60 VITON 70ShA	O-RING 1,78X15,60 VITON 70ShA
17	<a href="#">B.2.017</a>	DRAIN FITTING GS3 MP BOILER	RACCORDO PER SCARICO MP PER CALDAIA GS3
18	<a href="#">A.1.019</a>	FITTING G1/4F-G1/8F WR17 BRASS	RACCORDO G1/4F-G1/8F CH17 OTTONE
19	<a href="#">A.2.103</a>	FITTING PUSH-IN 90# 6-R1/4 BRASS TREATED	RACCORDO RAPIDO A 90# 6-R1/4 OTTONE TR.
20	<a href="#">F.1.028</a>	HOLE COVER	TAPPINO COPRIBUCO
21	<a href="#">I.1.029</a>	SPACER 4X6X4 S/S	DISTANZIALE 4X6X4 INOX
22	<a href="#">F.1.026</a>	GROUP WIRE PROTECTION STRADA	CANALINA COLLO GRUPPO STRADA
23	<a href="#">C.1.336</a>	EXTENSION LEVER PUDDLE CONICAL GS3	ESTENSIONE LEVA PADDLE CONICO GS3
24	<a href="#">F.1.079</a>	EXPOSED GROUP COVER W/PRESSURE GAUGE GS3	COPERTURA GRUPPO ESPOSTO C/MANOMETRO GS3
25	<a href="#">F.1.080</a>	CAP D8 NYLON BLACK	TAPPO D8 NYLON NERO
26	<a href="#">L292/R</a>	NUT G1/8 H4,5 WR14 BRASS NICKEL PLATED	DADO G1/8 H4,5 CH14 OT.NICH.(PORTAGOMMA)
27	E.3.016	PRESSURE GAUGE 0-18 VERTICAL BLACK	MANOMETRO 0-18 VERTICALE SFONDO NERO
<b>Item</b>	<b>Part number/Codice</b>	<b>Description</b>	<b>Descrizione</b>

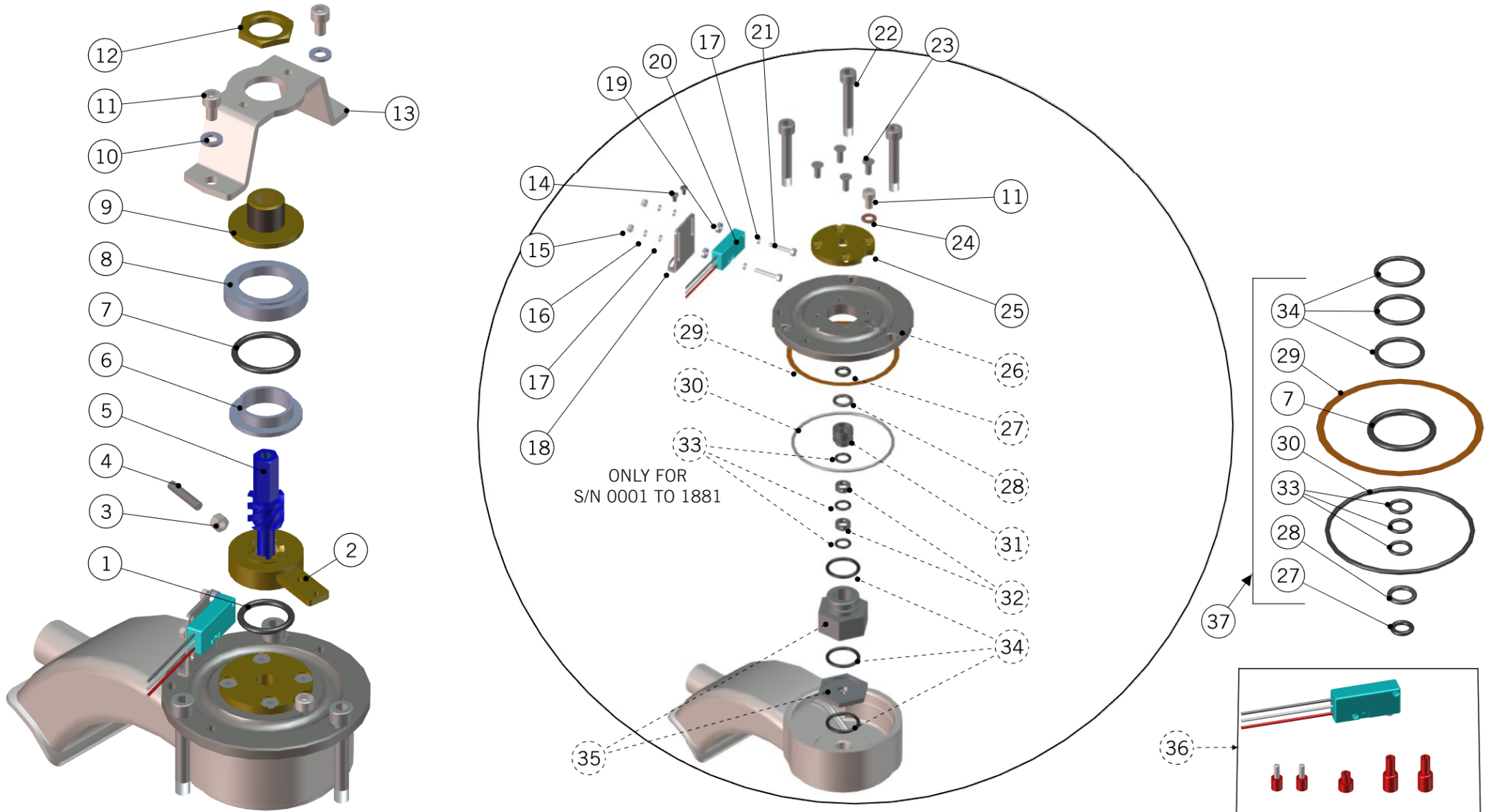


la marzocco

handmade in florence

# PADDLE VALVE

ONLY FOR  
S/N 0001 TO 3016





la marzocco

handmade in florence

# PADDLE VALVE

Caldaia Caffè

1	<a href="#">F.4.010</a>	O-RING 23.42x3.53 PTFE	O-RING 3,53X23,42 PTFE
2	<a href="#">A.1.010</a>	WORM NUT SCREW MP VALVE	MADREVITE SENZA FINE VALVOLA MP
3	DADO5M_INOX	NUT M5 H4 WR8 S/S A2	DADO M5 H4 CH8 INOX A2
4	<a href="#">A.5.005</a>	PIN D5X23 THREAD M5X7,5 S/S	PERNO D5X23 FILETT. M5X7,5 INOX
5	<a href="#">A.5.010</a>	PADDLE SHAFT W/THREAD FOR GAUGE	ALBERO PADDLE C/FILETTO MANOMETRO
6	<a href="#">F.4.009</a>	PADDLE VALVE TEFLON RING D39	ANELLO TEFLON VALVOLA PADDLE D39
7	<a href="#">H.1.016</a>	O-RING 3,53X29,74 NBR 70ShA	O-RING 3,53X29,74 NBR 70ShA
8	<a href="#">F.4.008</a>	PADDLE VALVE TEFLON RING D45	ANELLO TEFLON VALVOLA PADDLE D45
9	<a href="#">A.1.014</a>	BRONZE WASHER HEX PADDLE	ROND BRONZO GUIDA ES. PADDLE
10	<a href="#">RONDELLA6X12</a>	WASHER 6,4X12X1,5 S/S A2	RONDELLA 6,4X12X1,5 INOX A2
11	<a href="#">L120/2</a>	SCREW M6X10 SOCKET CAP S/S A2	VITE M6X10 TC A BRUGOLA INOX A2
12	<a href="#">A.4.003</a>	NUT M20 H6,5 WR27 BRASS	DADO M20 H6,5 CH27 OTTONE
13	<a href="#">F.3.020</a>	BRACKET GROUP MP	CAVALLOTTO GRUPPO MP
14	<a href="#">VITE3X10</a>	SCREW M3X10 PHILLIPS ROUND-PAN S/S A2	VITE M3X10 TCB A CROCE INOX A2
15	<a href="#">DAD03M</a>	NUT M3 H3 WR6 BRASS	DADO M3 H3 CH6 OTTONE
16	<a href="#">I.3.007</a>	TOOTH LOCK WASHER 3,4X6X0,5 GALVANIZED	ROND.DENTATA 3,4X6X0,5 ZINCATA
17	<a href="#">RONDINOXGS/3</a>	WASHER 3X6X0,5 S/S A2	RONDELLA 3X6X0,5 INOX A2
18	<a href="#">C.1.067</a>	BRACKET MICROSWITCH GS3	SUPPORTO MICROINTERRUTTORE GS3
19	<a href="#">I.3.004</a>	SPACER 3,5X8X2,5 AL	DISTANZIALE 3,5X8X2,5 ALLUMINIO
20	<a href="#">E.2.039</a>	MICROSWITCH KIT WITH LUGS	KIT MICROINTERRUTTORE C/CAPICORDA
21	<a href="#">I.1.055</a>	SCREW M3X20 HEX HEAD S/S A2	VITE M3X20 TE INOX A2
22	L110.01	SCREW M8X52 SOCKET CAP S/S A2 70	VITE M8X52 TC A BRUGOLA INOX A2 70
23	<a href="#">VITE5X10</a>	SCREW M5X10 SOCKET COUNTERSUNK S/S A2	VITE M5X10 TS A BRUGOLA INOX A2
24	<a href="#">L120/2A</a>	WASHER 6,3X12X1 COPPER	RONDELLA 6,3X12X1 RAME
25	<a href="#">A.1.015</a>	BRASS WASHER FOR PADDLE	ROND OTT PREMICORPO VALVOLA PADDLE
<b>Item</b>	<b>Part number/Codice</b>	<b>Description</b>	<b>Descrizione</b>



**la marzocco**

handmade in florence

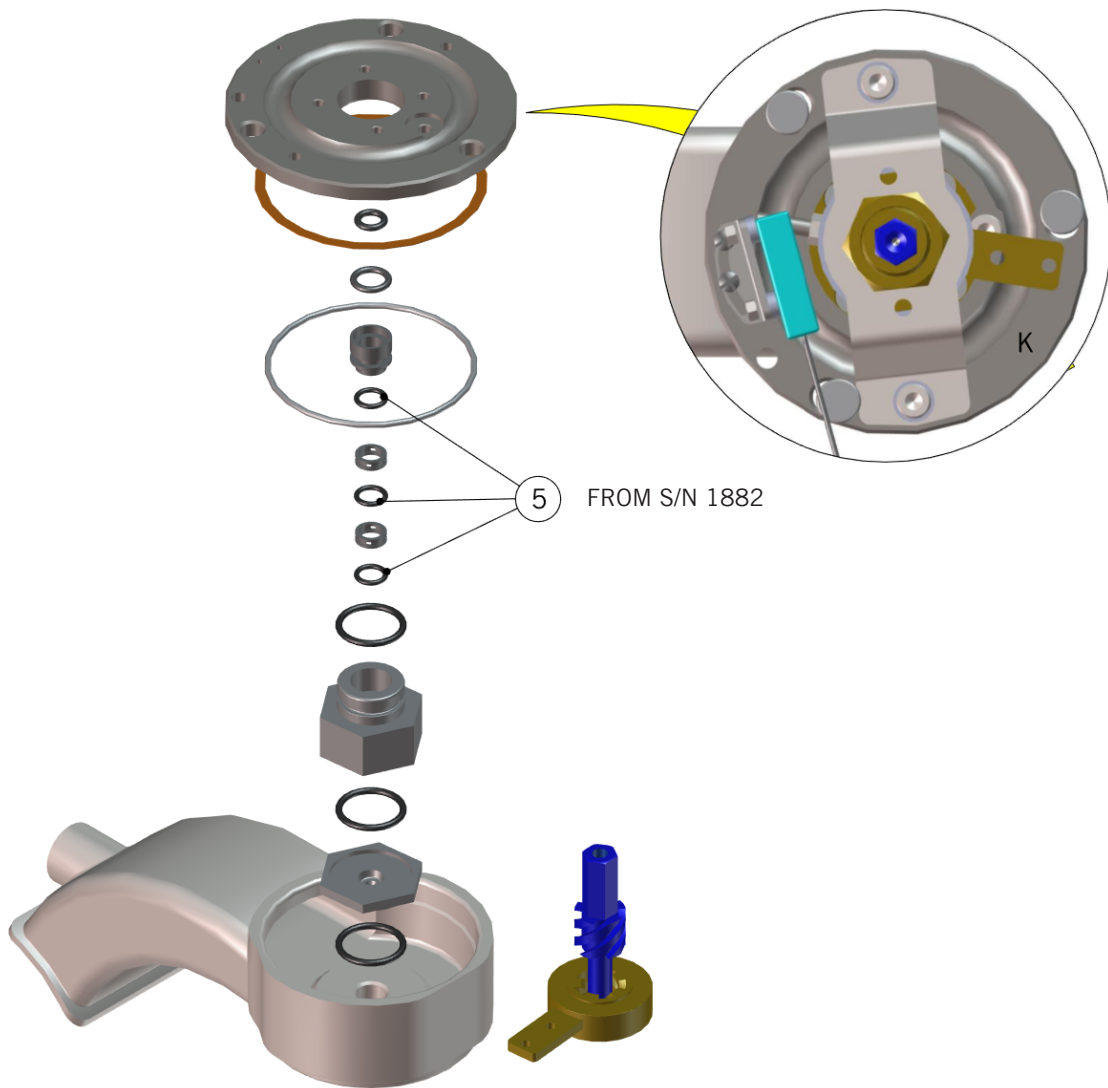
# PADDLE VALVE

**Caldaia Caffè**

26	<a href="#">A.5.026</a>	PADDLE GROUP CAP S/S	COPERCHIO GRUPPO MP INOX
27	<a href="#">H.1.018</a>	ORING 109 (2-110) EPDM 70 SHA	OR 109 - (2-110) IN EPDM - 70SHA
28	<a href="#">H.1.019</a>	O-RING 10.77x2.62 (2-111) EPDM 70SHA	O-RING 10.77x2.62 (2-111) EPDM 70SHA
29	<a href="#">L103/B</a>	FIBER GASKET 87X81X0,5	GUARNIZ. PIANA 87X81X0.5 NOVUS
30	<a href="#">L103/A</a>	O-RING 2,62X75,87 VITON 70 ShA FDA	O-RING 2,62X75,87 VITON 70 ShA FDA
31	B.2.015.03	PADDLE GLAND AISI304L ELECT.POL.	PREMISTOPPA PADDLE AISI304L ELETTROLUC.
32	B.2.014.03	SPACER 9,3X12X4 S/S	DISTANZIALE 9,3X12X4 INOX
33	H.1.011.01	O-RING 9,25x1,78 (2-012) EPDM 70SHA	O-RING 9,25x1,78 (2-012) EPDM 70SHA
34	H.1.010.01	ORING 3087 (2-118) EPDM 70 SHA	OR3087 EPDM 70 SHA PARKER
35	<a href="#">B.2.012.R</a>	PADDLE VALVE BODY + ADAPTOR	CORPO VALV. PADDLE + ADATTATORE
36	<a href="#">E.2.039</a>	MICROSWITCH KIT WITH LUGS	KIT MICROINTERRUTTORE C/CAPICORDA
37	SA600.01.K	PADDLE REBUILD KIT	PADDLE REBUILD KIT
<b>Item</b>	<b>Part number/Codice</b>	<b>Description</b>	<b>Descrizione</b>

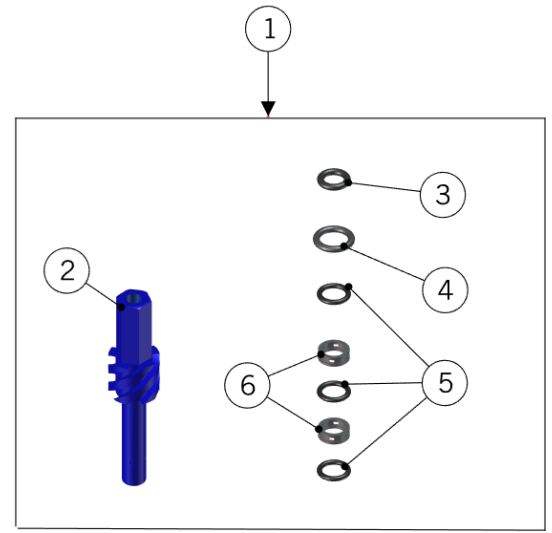
# PADDLE VALVE

ONLY FOR  
S/N 0001 TO 3016



All machines produced after March 2015 will have the group caps marked with a 'K' to indicate that they have been fitted with the new o-rings.

5 FROM S/N 1882



PLEASE CONTACT AFTER SALES DEPARTMENT FOR FURTHER INFORMATION.



la marzocco

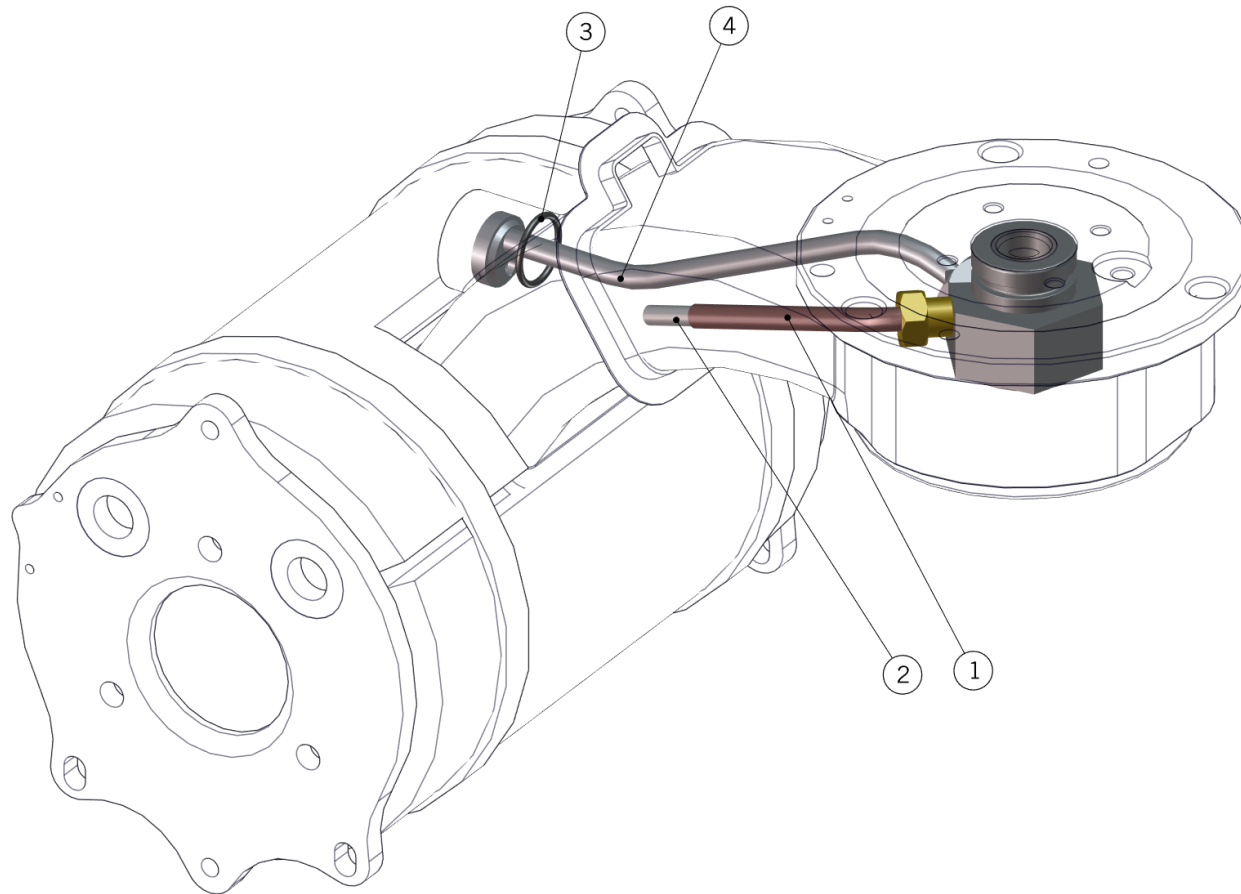
handmade in florence

## PADDLE VALVE

Paddle	1	927	KIT PADDLE STRADA	KIT PADDLE STRADA
	2	A.5.003	SHAFT FOR PADDLE	ALBERINO PADDLE
	3	H.1.018	ORING 109 (2-110) EPDM 70 SHA	OR 109 - (2-110) IN EPDM - 70SHA
	4	H.1.019	O-RING 10.77x2.62 (2-111) EPDM 70SHA	O-RING 10.77x2.62 (2-111) EPDM 70SHA
	5	H.1.024	O-RING 9,25x1,78 (K#012 ) KALREZ 6230	O-RING 9,25x1,78 (K#012 ) KALREZ 6230
	6	B.2.014.03	SPACER 9,3X12X4 S/S	DISTANZIALE 9,3X12X4 INOX
	Item	Part number/Codice		Description

# PADDLE VALVE

ONLY FOR  
S/N 0001 TO 3016





**la marzocco**  
handmade in florence

## PADDLE VALVE

<b>Paddle</b>	1	T.1.101.01	TUBE WATER INLET MP VALVE	TUBO CARICO ACQUA VALVOLA MP
	2	F.2.003	GICLEUR 0,6 M5 RUBY + S/S	GICLEUR 0,6 M5 RUBINO + INOX
		F.2.003.08	GICLEUR 0,8 M5 RUBY AND S/S	GICLEUR 0,8 M5 RUBINO E INOX
	3	H.1.009	O-RING 1,78X15,60 VITON 75 ShA	O-RING 1,78X15,60 VITON 75 ShA
	4	TL30/P.01	INTERNAL TUBE GS3 MP GROUP TEA	TUBO INTERNO GRUPPO GS3 MP TEA
Item	Part number/Codice	Description		Descrizione

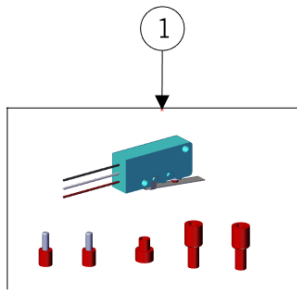
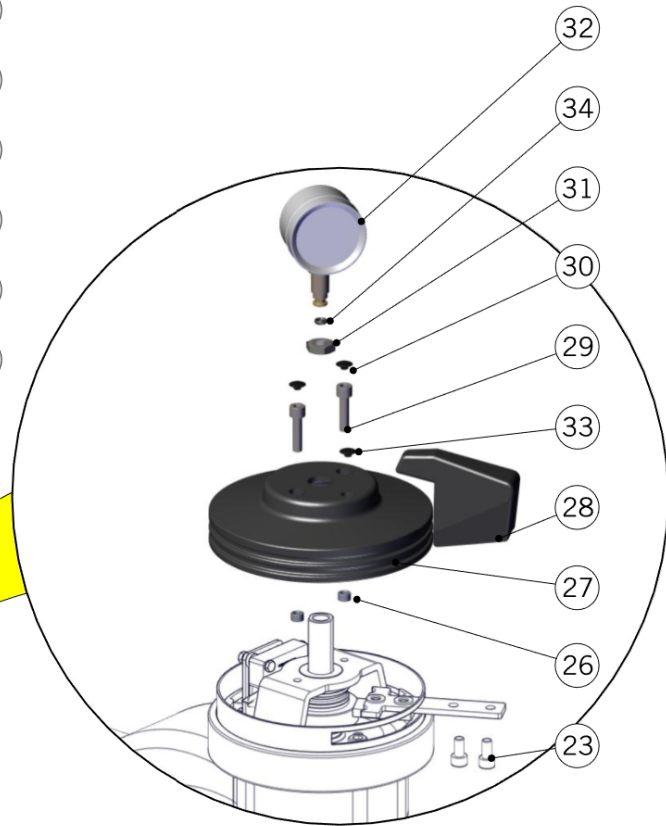
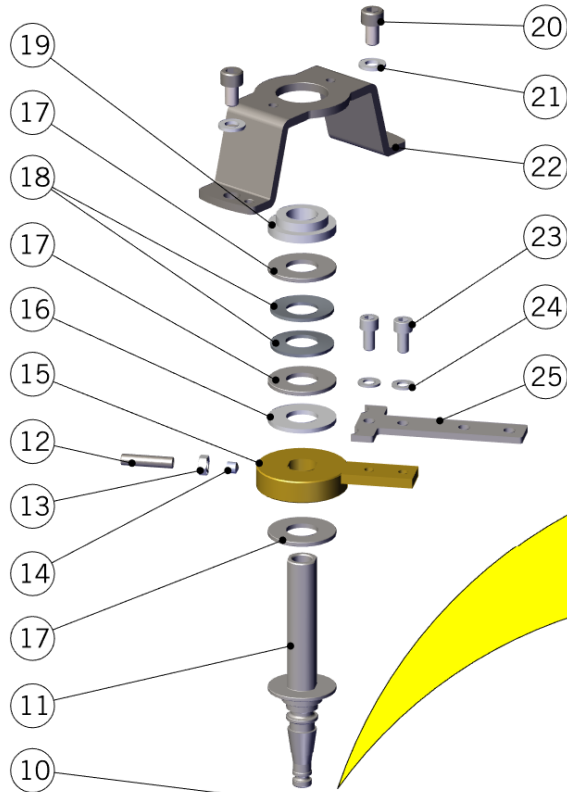
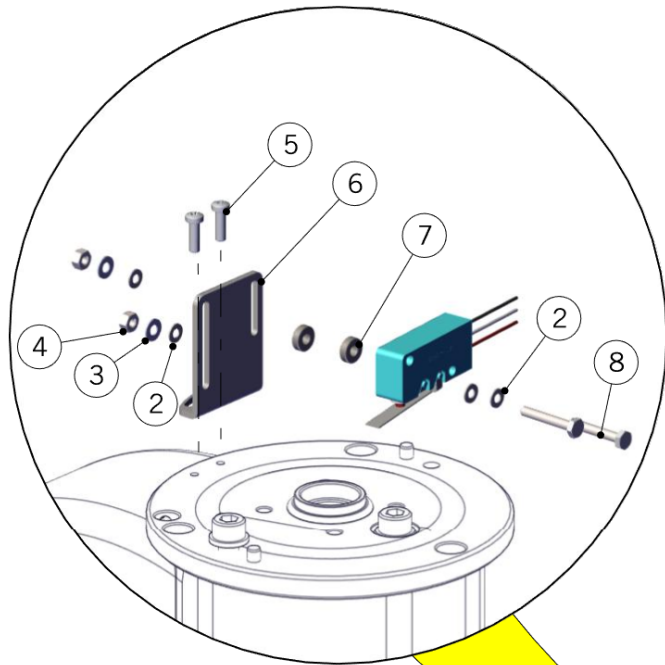


la marzocco

handmade in florence

# PADDLE VALVE

ONLY FROM  
S/N 3017





la marzocco

handmade in florence

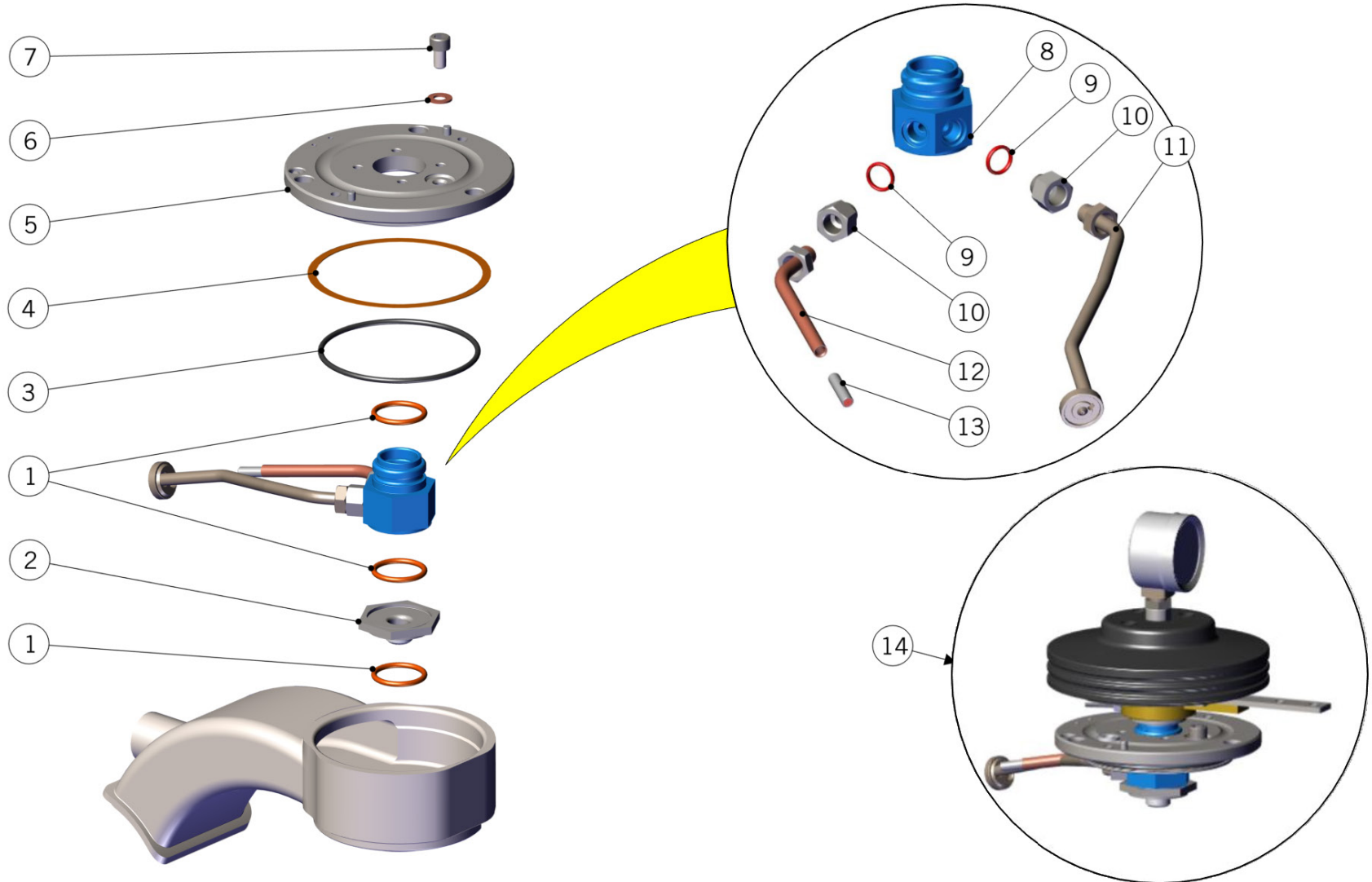
# PADDLE VALVE

Paddle

1	E.2.039	MICROSWITCH KIT WITH LUGS	KIT MICROINTERRUTTORE C/CAPICORDA
2	RONDINOXGS/3	WASHER 3X6X0,5 S/S A2	RONDELLA 3X6X0,5 INOX A2
3	I.3.007	TOOTH LOCK WASHER 3,4X6X0,5 GALVANIZED	ROND.DENTATA 3,4X6X0,5 ZINCATA
4	DAD03M	NUT M3 H3 WR6 BRASS	DADO M3 H3 CH6 OTTONE
5	VITE3X10	SCREW M3X10 PHILLIPS ROUND-PAN S/S A2	VITE M3X10 TCB A CROCE INOX A2
6	C.1.067	BRACKET MICROSWITCH GS3	SUPPORTO MICROINTERRUTTORE GS3
7	I.3.004	SPACER 3,5X8X2,5 AL	DISTANZIALE 3,5X8X2,5 ALLUMINIO
8	I.1.055	SCREW M3X20 HEX HEAD S/S A2	VITE M3X20 TE INOX A2
9	H.1.006	ORING 2025, 105, 2-010 VITON	O-RING PER CANOTTO
10	H.1.018	ORING 109 (2-110) EPDM 70 SHA	OR 109 - (2-110) IN EPDM - 70SHA
11	A.5.055	SHAFT CONICAL PADDLE VALVE GS3	ALBERO VALVOLA PADDLE CONICO GS3
12	A.5.005	PIN D5X23 THREAD M5X7,5 S/S	PERNO D5X23 FILETT. M5X7,5 INOX
13	DAD05M_INOX	NUT M5 H4 WR8 S/S A2	DADO M5 H4 CH8 INOX A2
14	I.1.016	SOCKET GRUB SCREW M5X5 S/S A2	GRANO M5X5 A BRUGOLA INOX A2
15	F.8.005	LEVER CONICAL PADDLE VALVE	LEVA VALVOLA PADDLE CONICO
16	I.6.005	WASHER 14,1X30X2 PTFE	RONDELLA 14,1X30X2 PTFE
17	I.1.091	WASHER 14,2X30X2 S/S	RONDELLA 14,2X30X2 INOX
18	I.5.004	BELLEVILLE SPRING	MOLLA A TAZZA PADDLE CONICO 28X14,2X1,5
19	F.4.013	BUSH LEVER CONICAL PADDLE VALVE GS3	BOCCOLA LEVA VALVOLA PADDLE CONICO GS3
20	L120/2	SCREW M6X10 SOCKET CAP S/S A2	VITE M6X10 TC A BRUGOLA INOX A2
21	RONDELLA6X12	WASHER 6,4X12X1,5 S/S A2	RONDELLA 6,4X12X1,5 INOX A2
22	F.3.020	BRACKET GROUP MP	CAVALLOTTO GRUPPO MP
23	I.1.005	SCREW M5X10 SOCKET CAP S/S A2	VITE M5X10 TC A BRUGOLA INOX A2
24	I.1.039	WASHER 5,4X10X1 S/S A2	RONDELLA 5,4X10X1 INOX A2
25	C.1.336	EXTENSION LEVER PUDDLE CONICAL GS3	ESTENSIONE LEVA PADDLE CONICO GS3
26	I.1.029	SPACER 4X6X4 S/S	DISTANZIALE 4X6X4 INOX
27	F.1.079	EXPOSED GROUP COVER W/PRESSURE GAUGE GS3	COPERTURA GRUPPO ESPOSTO C/MANOMETRO GS3
28	C.2.020	HANDLE PADDLE LINEA	MANIGLIA PADDLE LINEA
29	I.1.028	SCREW M5X20 SOCKET CAP S/S	VITE M5X20 TC A BRUGOLA INOX
30	F.1.022	CAP FOR SOCKET HEAD SCREW M5	CAPPUCCIO PER VITE A BRUGOLA M5
31	L292/R	NUT G1/8 H4,5 WR14 BRASS NICKEL PLATED	DADO G1/8 H4,5 CH14 OT.NICH.(PORTAGOMMA)
32	E.3.016	PRESSURE GAUGE 0-18 VERTICAL BLACK	MANOMETRO 0-18 VERTICALE SFONDO NERO
33	F.1.080	CAP D8 NYLON BLACK	TAPPO D8 NYLON NERO
34	H.1.021	OR103 (OR2018) IN EPDM X ALTA TEMP	OR103 (OR2018) IN EPDM X ALTA TEMP
<b>Item</b>	<b>Part number/Codice</b>	<b>Description</b>	<b>Descrizione</b>

# PADDLE VALVE

ONLY FROM  
S/N 3017





**la marzocco**

handmade in florence

# PADDLE VALVE

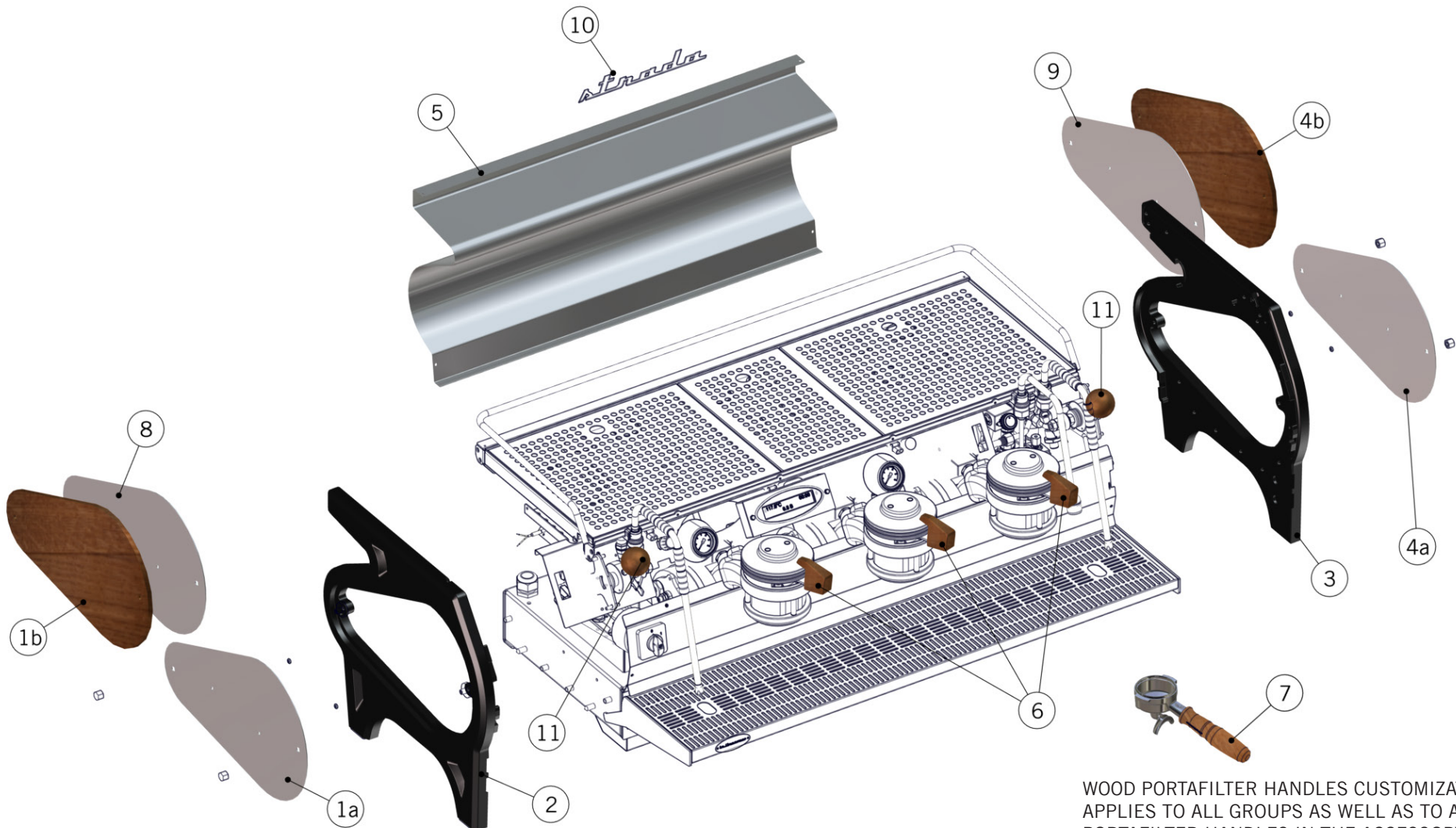
**Paddle**

1	H.1.010.01	ORING 3087 (2-118) EPDM 70 SHA	OR3087 EPDM 70 SHA PARKER
2	<a href="#">A.5.047</a>	ADAPTOR GROUP CONICAL V.	ADATTATORE GRUPPO V.PADDLE CONICO
3	<a href="#">L103/A</a>	O-RING 2,62X75,87 VITON 70 ShA FDA	O-RING 2,62X75,87 VITON 70 ShA FDA
4	<a href="#">L103/B</a>	FIBER GASKET 87X81X0,5	GUARNIZ. PIANA 87X81X0.5 NOVUS
5	<a href="#">A.5.026</a>	PADDLE GROUP CAP S/S	COPERCHIO GRUPPO MP INOX
6	<a href="#">L120/2A</a>	WASHER 6,3X12X1 COPPER	RONDELLA 6,3X12X1 RAME
7	<a href="#">L120/2</a>	SCREW M6X10 SOCKET CAP S/S A2	VITE M6X10 TC A BRUGOLA INOX A2
8	<a href="#">A.6.003</a>	BODY CONICAL PADDLE VALVE	CORPO VALVOLA PADDLE CONICO
9	H.1.011.01	O-RING 9,25x1,78 (2-012) EPDM 70SHA	O-RING 9,25x1,78 (2-012) EPDM 70SHA
10	<a href="#">A.5.049</a>	FITTING G1/8M-G1/8F WR14 S/S	RACCORDO G1/8M-G1/8F CH14 INOX
11	T.1.196.01	DRAIN TUBE MP VALVE GS3	TUBO SCARICO VALVOLA PADDLE CONICO GS3
12	<a href="#">T.1.187</a>	TUBE WATER INLET MP VALVE	TUBO CARICO ACQUA VALVOLA PADDLE CONICO
13	<a href="#">F.3.052.R</a>	EXTRACTABLE GICLEUR W/ ORING	GICLEUR REMOVIBILE CON ORING
	<a href="#">F.3.060.R</a>	GICLEUR REMOVABLE 0,7 W/ ORING	GICLEUR RIMOVIBILE 0,7 CON ORING
	<a href="#">F.3.061.R</a>	GICLEUR REMOVABLE 0,8 W/ ORING	GICLEUR RIMOVIBILE 0,8 CON ORING
14	<a href="#">954</a>	RETROFIT KIT CONICAL PADDLE GS3/STRADA	RETROFIT KIT PADDLE CONICI GS3/STRADA
<b>Item</b>	<b>Part number/Codice</b>	<b>Description</b>	<b>Descrizione</b>



la marzocco  
handmade in florence

## STRADA - CUSTOMIZATION



WOOD PORTAFILTER HANDLES CUSTOMIZATION  
APPLIES TO ALL GROUPS AS WELL AS TO ALL  
PORTAFILTER HANDLES IN THE ACCESSORY BAG.



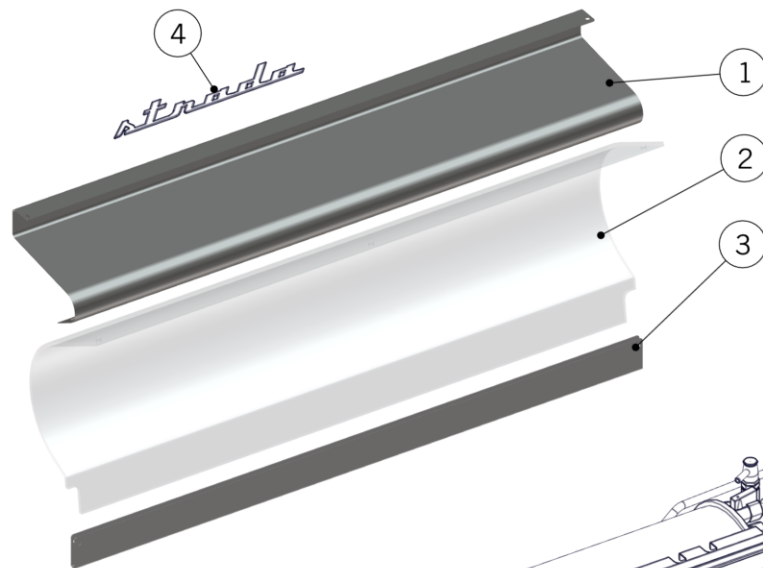
la marzocco

handmade in florence

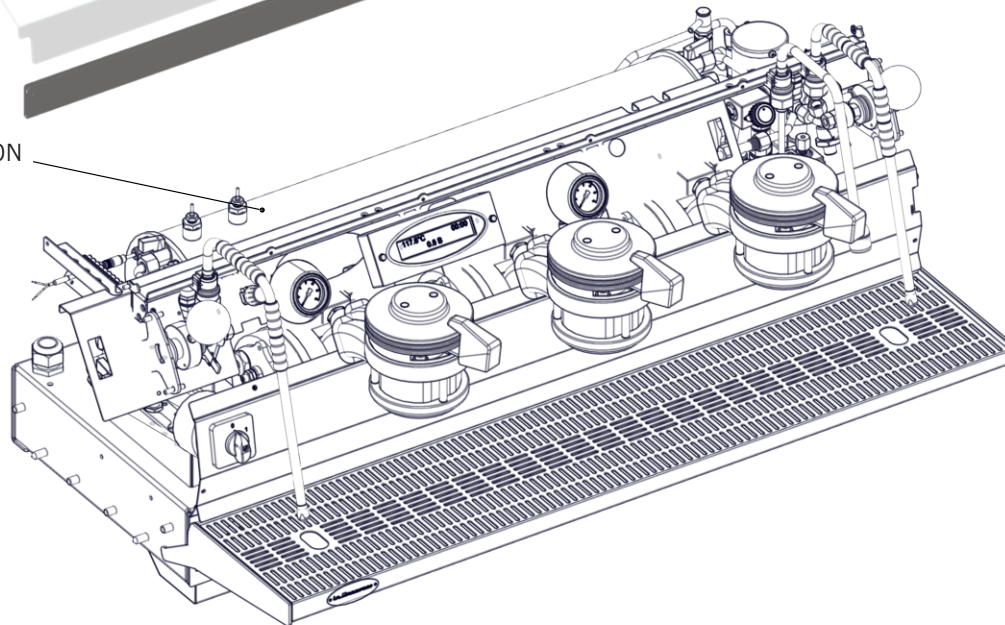
## STRADA - CUSTOMIZATION

Item	Part number/Codice	Description	Descrizione	
Body Panel Assembly	1a	C.1.097.55	PANEL LEFT SIDE STRADA MP CUSTOM COLOR	PANN. LATERALE SX STRADA MP COL.SPECIALE
	1b	F.5.007.DX.MW	PANEL SIDE DX STRADA MAPLE WOOD	PANNELLO LATERALE DX STRADA LEGNO ACERO
		F.5.007.DX.WW	PANEL SIDE DX STRADA WALNUT WOOD	PANNELLO LATERALE DX STRADA LEGNO NOCE
	2	C.3.005.SX.55	STRADA LEFT FRAME PANEL CUSTOM COLOR	FIANCATA SX STRADA COLORE SPECIALE
	3	C.3.005.DX.55	STRADA RIGHT FRAME PANEL CUSTOM COLOR	FIANCATA DX STRADA COLORE SPECIALE
	4a	C.1.098.55	PANEL RIGHT SIDE STRADA MP CUSTOM COLOR	PANN. LATERALE DX STRADA MP COL.SPECIALE
	4b	F.5.007.SX.MW	PANEL SIDE SX STRADA MAPLE WOOD	PANNELLO LATERALE SX STRADA LEGNO ACERO
		F.5.007.SX.WW	PANEL SIDE SX STRADA WALNUT WOOD	PANNELLO LATERALE SX STRADA LEGNO NOCE
	5	C.1.084.55	PANEL BACK STRADA 3GR CUSTOM COLOR	PANN. POST. STRADA 3GR COLORE SPECIALE
		C.1.084.60	PANEL BACK STRADA 3GR BLACK	PANNELLO POSTERIORE STRADA 3GR NERO
		C.1.114.55	PANEL BACK STRADA 2GR CUSTOM COLOR	PANN. POST. STRADA 2GR COLORE SPECIALE
		C.1.114.60	PANEL BACK STRADA 2GR MATTE BLACK	PANNELLO POST. STRADA 2GR NERO OPACO
		C.1.258.55	PANEL BACK STRADA 1GR CUSTOM COLOR	PANN. POST. STRADA 1GR COLORE SPECIALE
	6	C.1.258.60	PANNELLO POSTERIORE STRADA 1GR BLACK	PANNELLO POSTERIORE STRADA 1GR NERO
		C.2.020.MW	MAPLE PADDLE HANDLE	MANIGLIA PADDLE IN LEGNO DI ACERO
	7	C.2.020.WW	WALNUT PADDLE HANDLE	MANIGLIA PADDLE IN LEGNO DI NOCE
		L111/1MW.R	MAPLE PORTAFILTER -1 CUP SPOUT	PORTAFILTRO LEGNO ACERO UNA TAZZA
		L111/1WW.R	WALNUT PORTAFILTER 1 CUP SPOUT	PORTAFILTRO LEGNO NOCE UNA TAZZA
		L111/2MW.R	MAPLE PORTAFILTER WITH 2 CUP SPOUT	PORTAFILTRO LEGNO ACERO 2 TAZZE FISSO
	8	L111/2WW.R	WALNUT PORTAFILTER WITH 2 CUP SPOUT	PORTAFILTRO LEGNO NOCE 2 TAZZE FISSO
C.1.097		PANEL LEFT SIDE STRADA MP	PANNELLO LATERALE SX STRADA MP	
9	C.1.098	PANEL RIGHT SIDE STRADA MP	PANNELLO LATERALE DX STRADA MP	
10	D.3.003	YELLOW STRADA LOGO	LOGO STRADA POSTERIORE GIALLO	
	D.3.004	LOGO STRADA ROSSO RAL 3002	LOGO STRADA POSTERIORE ROSSO RAL 3002	
	D.3.009	BLACK STRADA LOGO	LOGO STRADA POSTERIORE NERO	
	D.3.014	WHITE STRADA LOGO	LOGO STRADA POSTERIORE BIANCO	
11	F.5.008.MW	HANDLE STEAM STRADA WOOD MAPLE	MANOPOLA VAPORE STRADA LEGNO ACERO	
	F.5.008.WW	HANDLE STEAM STRADA WOOD WALNUT	MANOPOLA VAPORE STRADA LEGNO NOCE	

# STRADA - TRANSPARENT GLASS BACK PANEL CUSTOMIZATION



STEAM BOILER WITHOUT INSULATION





la marzocco

handmade in florence

## STRADA - TRANSPARENT GLASS BACK PANEL CUSTOMIZATION

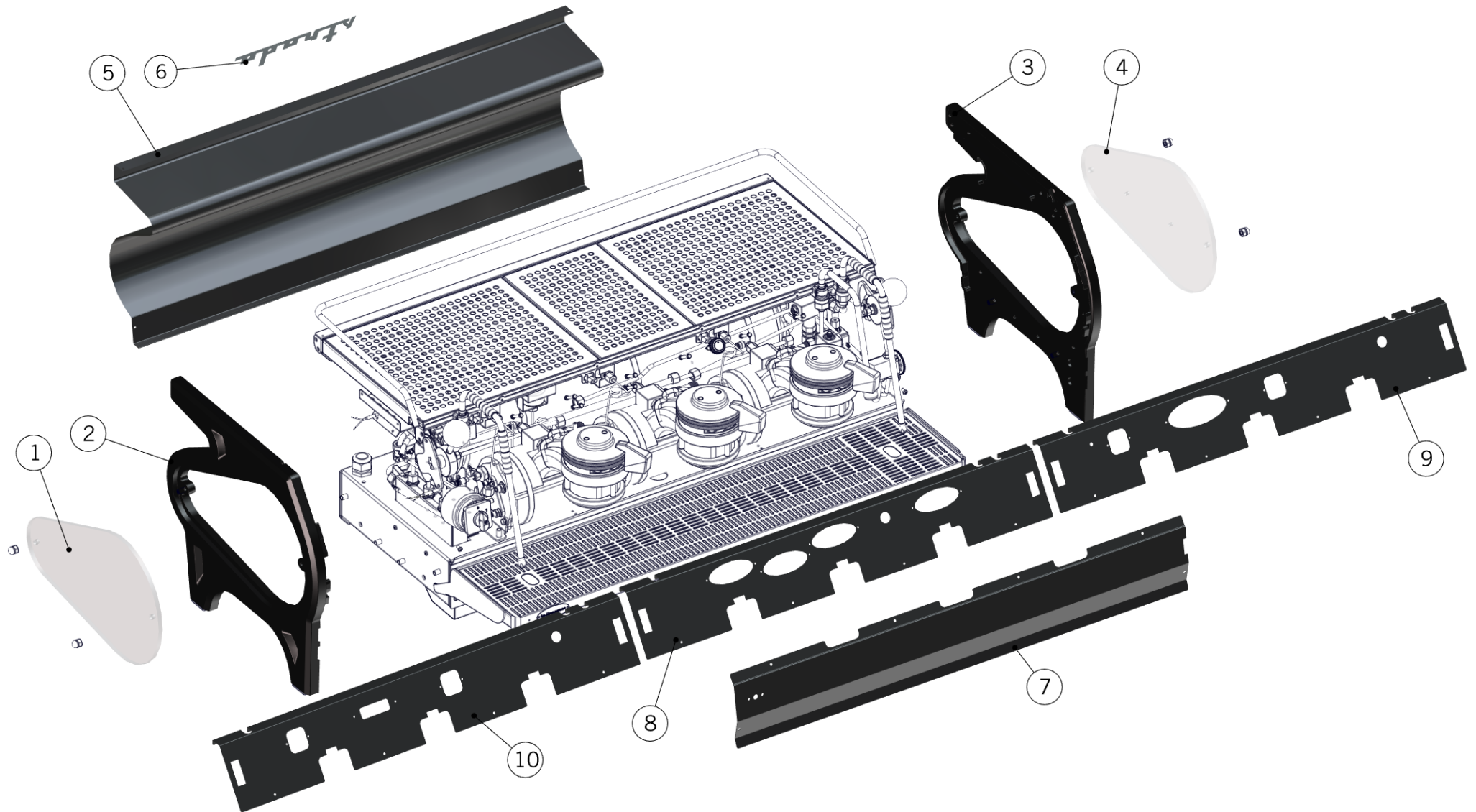
Body Panel Assembly	1	C.1.240.2	2GR STRADA REAR PANEL FOR GLASS	PANNELLO POSTERIORE STRADA X VETRO 2GR
		C.1.240.3	3GR STRADA REAR PANEL FOR GLASS	PANNELLO POSTERIORE STRADA X VETRO 3GR
	2	C.5.011	GLASS PANEL STRADA 2GR	PANNELLO VETRO EXTRA CHIARO STRADA 2GR
		C.5.012	GLASS PANEL STRADA 3GR	PANNELLO VETRO EXTRA CHIARO STRADA 3GR
	3	C.1.241.2	GLASS BACK HOUSING 2GR	SEDE POSTERIORE STRADA VETRO 2GR
		C.1.241.3	GLASS BACK HOUSING 3GR	SEDE POSTERIORE STRADA VETRO 3GR
	4	D.3.003	YELLOW STRADA LOGO	LOGO STRADA POSTERIORE GIALLO
		D.3.004	LOGO STRADA ROSSO RAL 3002	LOGO STRADA POSTERIORE ROSSO RAL 3002
		D.3.009	BLACK STRADA LOGO	LOGO STRADA POSTERIORE NERO
		D.3.014	WHITE STRADA LOGO	LOGO STRADA POSTERIORE BIANCO
Item	Part number/Codice		Description	Descrizione



la marzocco

handmade in florence

# STRADA - FLAT BLACK EDITION





la marzocco

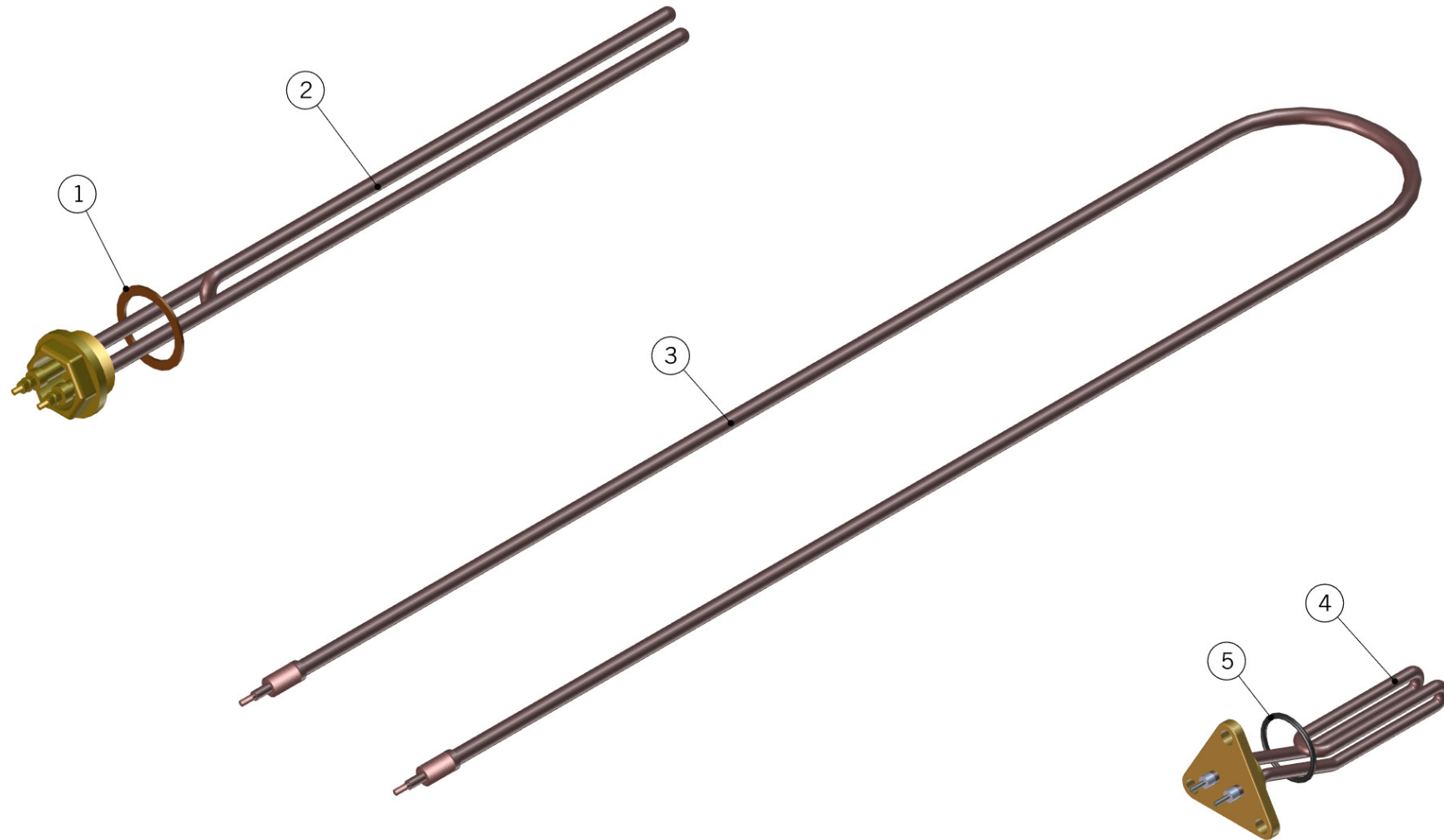
handmade in florence

# STRADA - FLAT BLACK EDITION

## Body Panel Assembly

1	C.5.006	LEFT GLASS PANEL W/LION STRADA	VETRO STRADA SX C/LEONE
2	C.3.005.SX.03	STRADA BLACK LEFT FRAME PANEL W/HOLES	FIANCATA SX ALLUMINIO NERA C/FORI STRADA
3	C.3.005.DX.03	STRADA BLACK RIGHT FRAME PANEL W/HOLES	FIANCATA DX ALLUMINIO NERA C/FORI STRADA
4	C.5.007	GS3 GLASS PANEL NO LABEL	PANNELLO VETRO GS3 SENZA SCRITTA
5	C.1.084.60	PANEL BACK STRADA 3GR BLACK	PANNELLO POSTERIORE STRADA 3GR NERO
	C.1.114.60	PANEL BACK STRADA 2GR MATTE BLACK	PANNELLO POST. STRADA 2GR NERO OPACO
	C.1.258.60	PANNELLO POSTERIORE STRADA 1GR BLACK	PANNELLO POSTERIORE STRADA 1GR NERO
6	D.3.009	BLACK STRADA LOGO	LOGO STRADA POSTERIORE NERO
7	C.1.082.60	PANNELLO FRONT INT. STRADA 3 GR NERO	PANNELLO FRONT INT. STRADA 3 GR NERO
	C.1.110.60	FRONT MIDDLE PANEL STRADA 2GR BLACK	PANNELLO FRONT. INT. STRADA 2GR NERO
	C.1.248.60	1GR FRONT MIDDLE PANEL STRADA BLACK	PANNELLO FRONT. INT. STRADA 1GR NERO
8	C.1.101.60	PANEL UPPER FRONT STRADA 3EP BLACK	PANNELLO FRONT. SUP. STRADA 3EP NERO
	C.1.108.60	PANEL UPPER FRONT STRADA 2EP MATTE BLACK	PANNELLO FRONT. SUP. STRADA 2EP NERO
	C.1.247.60	PANEL UPPER FRONT STRADA 1EP MATTE BLACK	PANNELLO FRONT. SUP. STRADA 1EP NERO
9	C.1.081.60	BLACK FRONT UPPER PANEL STRADA 3GR MP	PANNELLO FRONT. SUP. STRADA 3GR MP NERO
	C.1.109.60	PENEL UPPER FRONT STRADA 2MP MATTE BLACK	PANNELLO FRONT. SUP. STRADA 2MP NERO
10	C.1.235.60	PANEL UPPER FRONT STRADA 2AV BLACK	PANN. FRONT. SUP. STRADA 2AV NERO
	C.1.236.60	PANEL UPPER FRONT STRADA 3AV BLACK	PANN. FRONT. SUP. STRADA 3AV NERO
	C.1.238.60	PANEL UPPER FRONT STRADA 2AV W/CUPWARMER	PANN.FRONT.SUP. STRADA 2AV C/SCALD NERO
	C.1.239.60	PANEL UPPER FRONT STRADA 3AV W/CUPWARMER	PANN.FRONT.SUP. STRADA 3AV C/SCALD NERO
<b>Item</b>	<b>Part number/Codice</b>	<b>Description</b>	<b>Descrizione</b>

# HEATING ELEMENTS





la marzocco

handmade in florence

# HEATING ELEMENTS

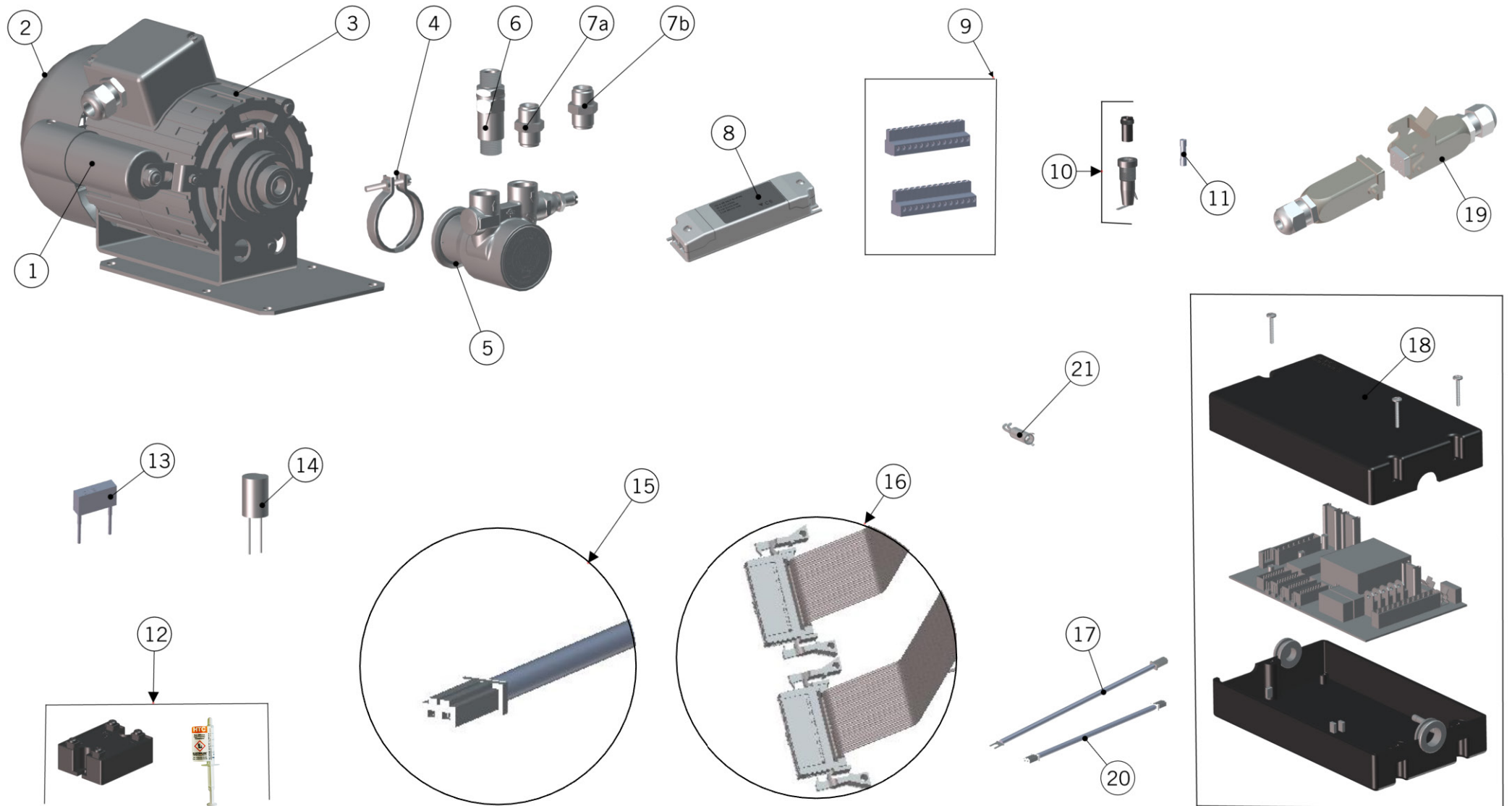
## Resistenze Elettriche

2 GROUPS / 2 GRUPPI	1	LR360	1-1/4 HEATER ELEMENT GASKET	GUARNIZIONE PIANA DM.55X42X2		
	5	F.2.014	O-RING 3,53X37,69 VITON 70 ShA	O-RING 3,53X37,69 VITON 70 ShA		
	2			<b>STEAM BOILER HEATING ELEMENTS</b>	<b>RESISTENZE PER CALDAIA VAPORE</b>	
		LR357/200B.03	HEATING ELEMENT W3000 V200 CM39 1-1/4 RP	RES. EL. W3000 V200 CM39 1-1/4 RP		
		LR357/220B.03	HEATING ELEMENT W3000 V220 CM39 1-1/4 RP	RES. EL. W3000 V220 CM39 1-1/4 RP		
		LR357/380B.03	HEATING ELEMENT W3000 V380 CM39 1-1/4 RP	RES. EL. W3000 V380 CM39 1-1/4 RP		
	3			<b>CUPWARMER HEATING ELEMENTS</b>	<b>RESISTENZA SCALDATAZZE</b>	
		LR370	CUPWARMER HEATING ELEMENT 280W 220V	RES. SCALDATAZZE 280W 220V		
	4			<b>COFFEE BOILER HEATING ELEMENTS</b>	<b>RESISTENZE PER CALDAIA CAFFE'</b>	
		E.6.004.02	HEATING ELEMENT W800 V220 TRIANG.FL. RP	RES. EL. W800 V220 FL. TRIANG. RP		
		E.6.006.02	HEATING ELEMENT W500 V200 TRIANG.FL. RP	RES. EL. W500 V200 FL. TRIANG. RP		
	3 GROUPS / 3 GRUPPI	2			<b>STEAM BOILER HEATING ELEMENTS</b>	<b>RESISTENZE PER CALDAIA VAPORE</b>
			E.6.023	HEAT.ELEM W4000 V200 CM50 1-1/4 4POLE TR	RES. EL. W4000 V200 CM50 1-1/4 4 POLI TR	
			E.6.008.02	HEAT.ELEM W4000 V380 CM50 1-1/4 4POLE TR	RES. EL. W4000 V380 CM50 1-1/4 4 POLI TR	
		3			<b>CUPWARMER HEATING ELEMENTS</b>	<b>RESISTENZA SCALDATAZZE</b>
			LR371	CUPWARMER HEATING ELEMENT 400W 220V	RES. SCALDATAZZE 400W 220V	
		4			<b>COFFEE BOILER HEATING ELEMENTS</b>	<b>RESISTENZE PER CALDAIA CAFFE'</b>
			E.6.004.02	HEATING ELEMENT W800 V220 TRIANG.FL. RP	RES. EL. W800 V220 FL. TRIANG. RP	
		E.6.006.02	HEATING ELEMENT W500 V200 TRIANG.FL. RP	RES. EL. W500 V200 FL. TRIANG. RP		
<b>Item</b>	<b>Part number/Codice</b>	<b>Description</b>		<b>Descrizione</b>		



la marzocco  
handmade in florence

# ELECTRICAL SYSTEM AND PUMP





la marzocco

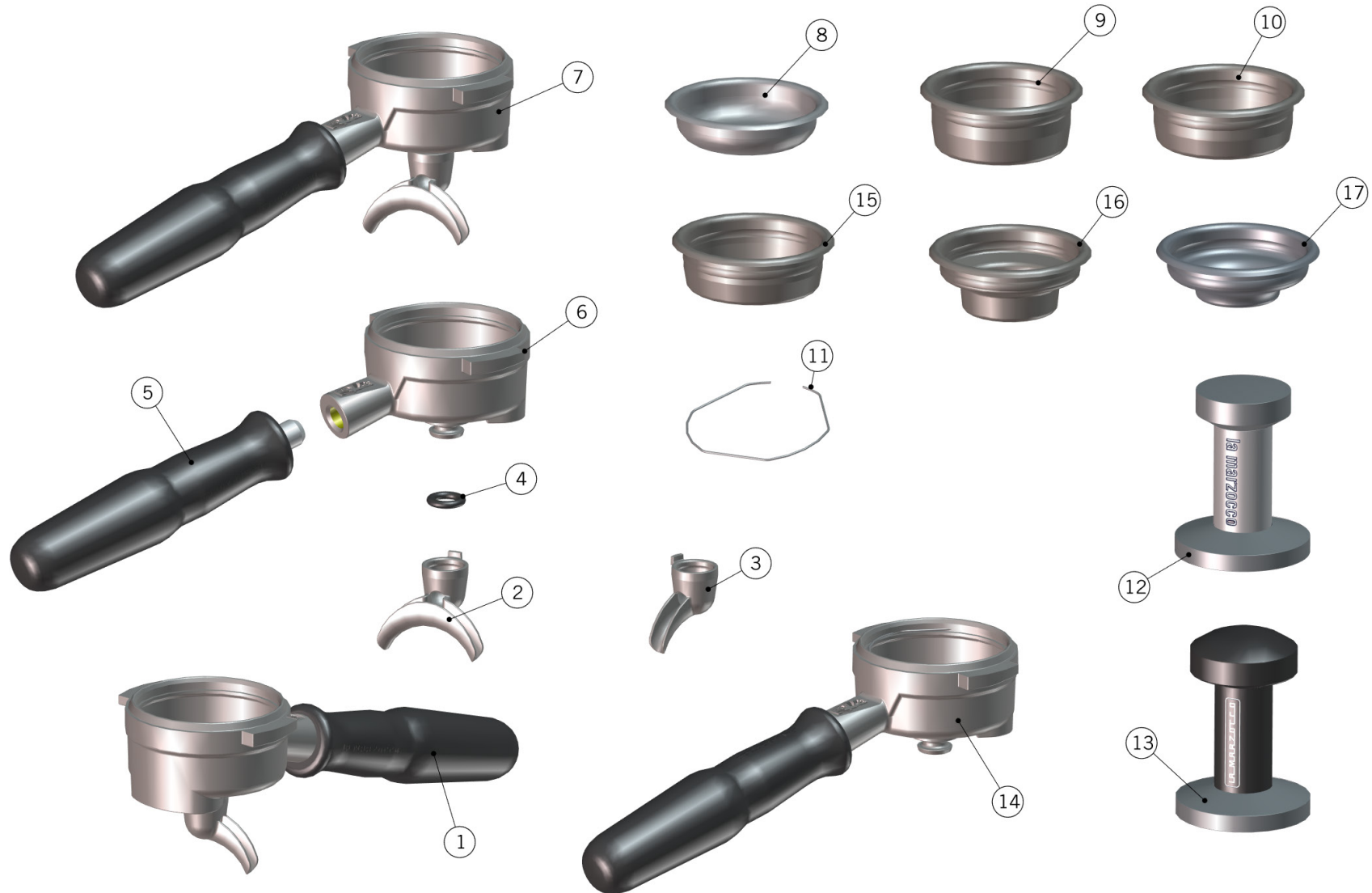
handmade in florence

# ELECTRICAL SYSTEM AND PUMP

Impianto Elettrico e Pompa

1	L290/CUL	10microF CAPACITOR (L290/8UL MOTOR)	CONDENSATORE 10MF X MOTORE
2	F.6.004	FAN COVER - PUMP MOTOR UL	COPRIVENTOLA ZINCATO X MOTORE L290/8UL
3	L290/8UL	UL PUMP MOTOR V.220 50/60 HZ	MOTORE CARENATO CHIUSO
4	L290/C	PUMP CLAMP	FASCETTA PER POMPA
5	L290/1.01	PUMP 150 LT/H	CORPO POMPANTE 150 L/H
	L290/2.01	PUMP 200 LT/H	CORPO POMPANTE 200 L/H
6	L032/P.01	CHECK VALVE G3/8M TREATED	VALVOLA DI RITEGNO G3/8M TRATTATA
7a	L305/N.01	G3/8"M-G3/8"M NIPPLE FITTING	NIPPLO 3/8 M - 3/8 M C/TRATT TEA
7b	L306/G.01	G3/8-3/8" COMPRESSION FITTING TREATED	NIPPLO G3/8-3/8 COMPRESSION TRATTATO
8	E.4.024.01.R	KIT BARISTA LIGHTS POWER SUPPLY W/WIRING	KIT ALIMENTATORE LUCI BARISTA C/CAVI
9	E.1.001.9/13	LILY BOARD CONNECTORS	CONNETTORI LILY
10	E.2.004	UL FUSE HOLDER	PORTAFUSIBILE UL
11	E.2.003	UL FUSE FOR GB/5 2A 250V.	FUSIBILE UL X GB/5 2A 250V.
12	E.4.010.01.R	SSR 25A 240V W/THERMAL COMPOUND	RELE' 25A 240V C/PASTA TERMICA
	E.4.029.R	SSR 50A 240V W/THERMAL COMPOUND	RELE' 50A 240V C/PASTA TERMICA
	E.4.035.R	SSR 25A 480V W/THERMAL COMPOUND	RELE' 25A 480V C/PASTA TERMICA
13	L206	FILTER EMC FOR GB/5	FILTRO EMC PER GB/5
14	E.2.030	2x22nF+0,1microF FILTER	FILTRO 2x22nF+0.1microF
15	E.4.054	STRADA TEA CABLE	CAVO TE' STRADA
16	LAD3D5/C05	3D5 BUTTON BOX CABLE CM110	CAVO PULSANTIERA 3D5 CM.110 CON ALETTA
17	E.4.004.01	SSR - BRAIN CABLE	CAVETTO RELE' - CENTRALINA
18	E.1.001.MP	BRAIN STRADA MP	DOSATURA STRADA MP
19	E.4.044	PUMP CABLE W/RAPID WATERPROOF CONNECTOR	CAVO POMPA C/CONNETTORE RAPIDO IP67
20	E.4.004	TRIAC - BRAIN CABLE	CAVETTO TRIAC - CENTRALINA
21	E.4.122	CABLED LED FOR STRADA MANOMETER	LED CABLATO PER MANOMETRO STRADA
<b>Item</b>	<b>Part number/Codice</b>	<b>Description</b>	<b>Descrizione</b>

# PORTAFILTER ASSEMBLY





la marzocco

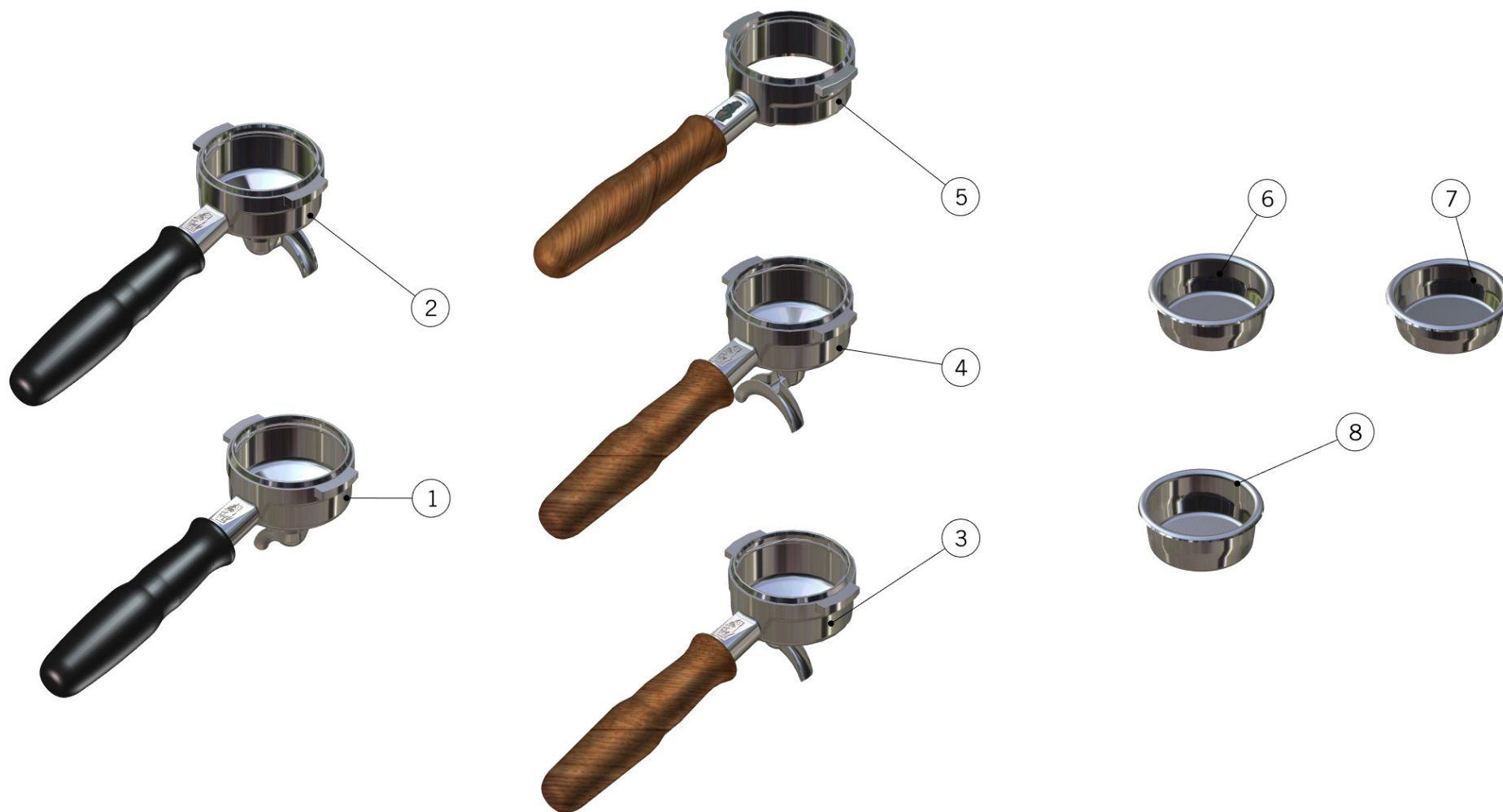
handmade in florence

# PORTAFILTER ASSEMBLY

Portafiltri

1	<a href="#">L111/1AC</a>	STAINLESS STEEL PORTAFILTER -1 CUP SPOUT	PORTAFILTRO INOX UNA TAZZA
2	A.5.014.01	S/S DOUBLE SPOUT	BECCUCCIO DOPPIO INOX
3	A.5.013.01	S/S SINGLE SPOUT	BECCUCCIO SINGOLO INOX
4	<a href="#">H.1.017</a>	O-RING 3,53X9,12 EPDM 70 ShA	O-RING 3,53X9,12 EPDM 70 ShA
	H.1.017.02	O-RING 9,21x3,37 EPDM FDA	O-RING 9,21x3,37 EPDM FDA
5	<a href="#">L112/G12</a>	PORTAFILTER HANDLE M12	MANOPOLA PORTAFILTRO M12
6	<a href="#">L111/SS.R</a>	STAINLESS STEEL PORTAFILTER WITH HANDLE	PORTAFILTRO INOX CON MANICO
7	<a href="#">L111/2NAC</a>	S/S PORTAFILTER WITH 2 CUP SPOUT	PORTAFILTRO INOX 2 TAZZE FISSO
8	<a href="#">L115/C</a>	BLIND FILTER	FILTRO CIECO X LAVAGGIO
9	<a href="#">F.3.026.S.01</a>	FILTER BASKET 21G S/S HIGH PRECISION	FILTRO 21G INOX ALTA PRECISIONE
10	<a href="#">F.3.027.S.01</a>	FILTER BASKET 17G S/S HIGH PRECISION	FILTRO 17G INOX ALTA PRECISIONE
11	<a href="#">L113</a>	SPRING D WIRE1,1 S/S FILTER LOCK	MOLLA DFILO1,1 INOX FERMAFILTRO
12	<a href="#">F.3.045</a>	S/S-ALUMINUM SINGLE-DOUBLE TAMPER	PRESSINO INOX-ALLUMINIO SINGOLO-DOPPIO
13	F.3.031.01	ANODIZED DOUBLE TAMPER S/S US VERSION	PRESSINO DOPPIO VERSIONE US ANODIZZATO
14	<a href="#">L111/SS.R</a>	STAINLESS STEEL PORTAFILTER WITH HANDLE	PORTAFILTRO INOX CON MANICO
15	<a href="#">F.3.028.S.01</a>	FILTER BASKET 14G S/S HIGH PRECISION	FILTRO 14G INOX ALTA PRECISIONE
16	<a href="#">F.3.029.S</a>	FILTER BASKET 7G S/S HIGH PRECISION	FILTRO 7G INOX ALTA PRECISIONE
17	<a href="#">F.3.054</a>	7g HIGH PRECISION ITALIAN FILTER STRADA	7G FILTRO ITALIA ALTA PRECISIONE STRADA
<b>Item</b>	<b>Part number/Codice</b>	<b>Description</b>	<b>Descrizione</b>

# PORTAFILTER ASSEMBLY





**la marzocco**

handmade in florence

# PORTAFILTER ASSEMBLY

## Portafiltri

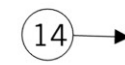
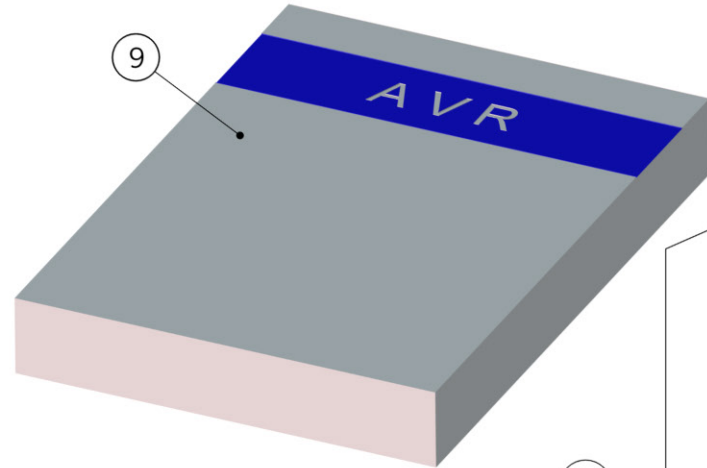
1	<a href="#">A.5.078</a>	PORTAFILTER W/SINGLE SPOUT S/S	PORTAFILTRO C/BECCUCCIO SINGOLO INOX
2	<a href="#">A.5.079</a>	PORTAFILTER W/DOUBLE SPOUT S/S	PORTAFILTRO C/BECCUCCIO DOPPIO INOX
3	L111/1MW.R	MAPLE PORTAFILTER -1 CUP SPOUT	PORTAFILTRO LEGNO ACERO UNA TAZZA
	L111/1WW.R	WALNUT PORTAFILTER 1 CUP SPOUT	PORTAFILTRO LEGNO NOCE UNA TAZZA
4	L111/2MW.R	MAPLE PORTAFILTER WITH 2 CUP SPOUT	PORTAFILTRO LEGNO ACERO 2 TAZZE FISSO
	L111/2WW.R	WALNUT PORTAFILTER WITH 2 CUP SPOUT	PORTAFILTRO LEGNO NOCE 2 TAZZE FISSO
5	A.5.060	WALNUT NAKED PORTAFILTER	PORTAFILTRO NUDO LEGNO NOCE
	A.5.061	MAPLE NAKED PORTAFILTER	PORTAFILTRO NUDO MANICO ACERO
6	<a href="#">F.3.079</a>	FILTER BASKET 17G S/S RIDGELESS	FILTRO 17G INOX SENZA BORDATURA
7	<a href="#">F.3.080</a>	FILTER BASKET 14G S/S RIDGELESS	FILTRO 14G INOX SENZA BORDATURA
8	<a href="#">F.3.081</a>	FILTER BASKET 21G S/S RIDGELESS	FILTRO 21G INOX SENZA BORDATURA
<b>Item</b>	<b>Part number/Codice</b>	<b>Description</b>	<b>Descrizione</b>



la marzocco

handmade in florence

# HOSE AND ACCESSORIES



**la marzocco**  
handmade in florence

This kit is for screening purposes only, and only tests for some of the contaminants that can be found in water. Results obtained through use of this kit are approximations and are not as precise as results derived from a certified lab analysis. For assistance in interpreting these results and obtaining proper filtration for your espresso machine please visit: [http://www.lamarzocco.com/water\\_calculator/](http://www.lamarzocco.com/water_calculator/)

Total Hardness		Total Iron	
mg/l (ppm)		ppm (µg/L)	
0	1	0	0.5
2	2	1	1
3	3	2	2
4	4	3	3
5	5	4	4
7	7	5	5
11	11	6	6
15	15	7	7
20	20	8	8
25	25	9	9
30	30	10	10
40	40	11	11
60	60	12	12
80	80	13	13
100	100	14	14
120	120	15	15
150	150	16	16
180	180	17	17
250	250	18	18
425	425	19	19
1000	1000	20	20

**TEST PROCEDURE:**  
Cap one test strip into a water sample for 2 seconds, remove, and immediately flush. Close the cap with the long colored strip. The color change will be complete for the test in 10 seconds. Remove the cap and flush down the strip into the waste container. Repeat for the other test strip.

**WARNING:** PLEASE DO NOT USE ANY CHEMICALS THAT CONTAIN: 1. HIGH SULFUR, 2. HIGH CHLORINE, 3. HIGH AMMONIA, 4. HIGH PHOSPHORUS, 5. HIGH SODIUM, 6. HIGH POTASSIUM, 7. HIGH CALCIUM, 8. HIGH MAGNESIUM, 9. HIGH ZINC, 10. HIGH COPPER, 11. HIGH IRON, 12. HIGH LEAD, 13. HIGH CHROMIUM, 14. HIGH MANGANESE, 15. HIGH NICKEL, 16. HIGH SILICON, 17. HIGH BARIUM, 18. HIGH STRONTIUM, 19. HIGH BROMINE, 20. HIGH IODINE.



la marzocco

handmade in florence

## HOSE AND ACCESSORIES

### Tubi e Accessori

1	L305/050.01	BRAIDED HOSE CM.50 3/8 F	TUBO FLESSIBIL INOX 3/8F CM.50
	L305/120.01	BRAIDED HOSE CM.120 3/8 F	TUBO FLESSIB INOX 3/8F CM.120
	L305/210.01	BRAIDED HOSE CM.210 3/8F	TUBO FLESSIB INOX 3/8F CM.210
	<a href="#">L306/050</a>	BRAIDED HOSE 3/8 COMPR. WR17 50CM NSF	TUBO FLEX 3/8 COMPR. CH17 50CM NSF
	<a href="#">L306/120</a>	BRAIDED HOSE 3/8 COMPR. WR17 120CM NSF	TUBO FLEX 3/8 COMPR. CH17 120CM NSF
	<a href="#">L306/210</a>	BRAIDED HOSE G3/8F WR20 210CM NSF	TUBO FLEX G3/8F CH20 210CM NSF
	<a href="#">L306/210/C</a>	BRAIDED HOSE G3/8F WR20 210CM NSF CURVED	TUBO FLEX G3/8F CH20 210CM NSF C/CURV.
	T.5.003	BRAIDED HOSE 3/8 COMPR. WR17 210CM NSF	TUBO FLEX 3/8 COMPR. CH17 210CM NSF
2	L308	CLEAR ARMOURED DRAIN HOSE	TUBO PU AIR SCARICO ACQUA DIA 20
3	<a href="#">L312</a>	HOSE CLAMP	FASCETTA SERRATUBO 16/25 H.8
4	<a href="#">UT107</a>	BENT WRENCH WR14 FOR GROUP TUBE	CHIAVE PIEGATA CH14 PER TUBO GRUPPO
5	A.2.022.01	TEE FITTING R3/8M WR17 BRASS TREATED	RACCORDO A T R3/8M CH17 OTTONE TRATT.
6	V067	LA MARZOCCO PURO CAFF POWDER	POLVERE LA MARZOCCO PURO CAFF
7	<a href="#">UT004</a>	MP O-RING EXTRACTOR	ESTRATTORE O-RING MP
8	<a href="#">UT005</a>	BALL END HEX WRENCH	CHIAVE BRUGOLA 5 CON SFERA X GS/3/STRA
9	E.4.025.02	KIT AVR PROGRAMMER - USB COMPLETE	KIT PROGRAMMAZIONE AVR - USB COMPLETO
10	<a href="#">F.9.000.01</a>	MULTIPLE PARAMETER TEST KIT	KIT PER ANALISI DELL'ACQUA
11	<a href="#">F.9.003</a>	DIGITAL TDS METER	TDS METER DIGITALE
12	<a href="#">F.1.065</a>	HTC THERMAL COMPOUND SYRINGE 2ML	SIRINGA GRASSO TERMICO HTC 2ML
13	<a href="#">UT108</a>	BENT WRENCH WR13 FOR GROUP TUBE	CHIAVE PIEGATA CH13 PER TUBO GRUPPO
14	<a href="#">941</a>	WATER TEST KIT	KIT MISURAZIONE ACQUA
15	<a href="#">UT008</a>	GASKET <a href="#">PICK</a>	ESTRATTORE PER GUARNIZIONI
<b>Item</b>	<b>Part number/Codice</b>	<b>Description</b>	<b>Descrizione</b>

LA MARZOCCO SRL  
Via La Torre, 14/H  
Localita' La Torre  
50038 Scarperia e San Piero  
(Florence) - ITALY  
T. +39 055 849 191  
F. +39 055 849 1990  
info@lamarzocco.com  
www.lamarzocco.com