



**la marzocco**

handmade in florence

vulcano swift



# vulcano swift

instruction manual

## Contents

1. Foreword	page 2
2. Dimensions	page 2
3. Packaging	page 2
4. Disposal	page 2
5. General description	page 3
6. Use	page 4
7. Installation and wiring	page 4
8. Operation of the appliance	page 5
9. Warnings regarding operation	page 8
10. Safety devices	page 8
11. Warnings regarding safety	page 9
12. Noise levels	page 10
13. Maintenance	page 10
14. Cleaning the appliance	page 11



**la marzocco**

handmade in florence

La Marzocco S.r.l.

Via La Torre 14/H  
Località La Torre  
50038 Scarperia e San Piero  
(Firenze) – ITALIA

[www.lamarzocco.com](http://www.lamarzocco.com)  
[info@lamarzocco.com](mailto:info@lamarzocco.com)

T: +39 055 849 191  
F: +39 055 849 1990

EN

## 1. Foreword

Read this manual from cover to cover before using the appliance as it contains important instructions for the safety, oper-

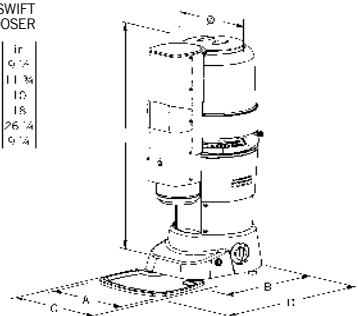
ation and maintenance of the appliance. Look after this manual and keep it in a safe place.

The manufacturer reserves the right to make changes to the product and to the manual.

## 2. Dimensions

VULCANO SWIFT  
GRINDER-DOSER

	mm	in.
A	240	9 1/2
B	285	11 3/4
C	260	10
D	455	18
E	655	26 1/4
Ø	235	9 3/4



## 3. Packaging

On opening the packaging, check carefully to make sure the appliance is intact and that there are no signs of damage. If in any doubt, do not use the

unit and contact personnel with the appropriate professional skills. The packaging materials must be kept out of the reach of children as they

represent a potential source of danger. Keep the packaging until the warranty has expired.

## 4. Disposal

Do not litter: dispose of the packaging materials according to the laws in force. Should you decide not to use the appliance any more, remember to unplug it

so that it cannot be used, and then cut the cable in the point where it comes out of the appliance. Contact specialized firms for information

on the disposal of the components of the appliance.

**INFORMATION FOR USERS RESIDING IN THE EUROPEAN UNION**

In accordance with art. 13 of Legislative Pursuant to art. 26 of Legislative Decree of March 14, 2014, no. 49: "Implementation of Directive

2012/19/EU on Waste Electrical and Electronic Equipment (WEEE)."

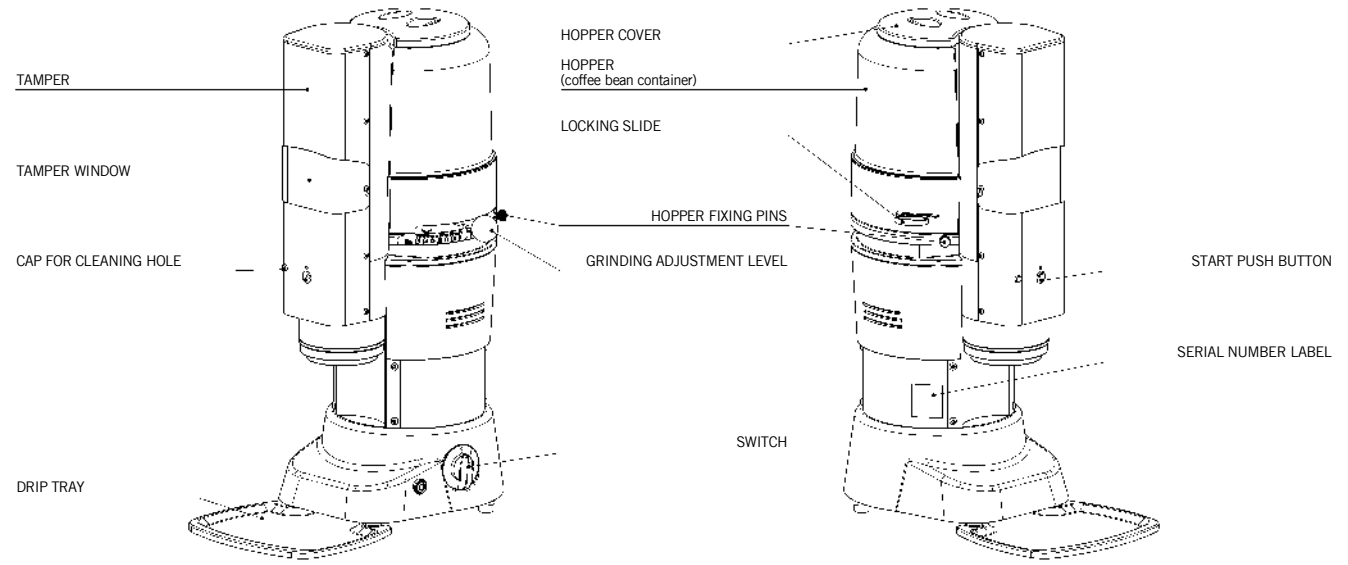


The crossed bin symbol shown here and on the equipment or its box indicates that, at the end of its useful life, the product (EEE)

must be collected separately from other waste, with prohibition of disposal with mixed waste.

For more information, contact *La Marzocco s.r.l.*

**5. General description**



## 6. Use

This appliance has been designed SOLELY for grinding coffee beans. Any other use is understood to be improper, and consequently hazardous. The manufacturer cannot be held responsible for any damage as a result of improper or

incorrect use.

Do not use the appliance for grinding other types of food, or anything else.

THE GRINDER-DOSERS MANUFACTURED BY OUR COMPANY ARE INTENDED FOR SKILLED PERSONNEL

ONLY FOR PROFESSIONAL USE AND **NOT FOR HOUSEHOLD USE.** The user must be an adult.

Do not allow children or incapable persons to use the appliance.

## 7. Installation and wiring

The appliance must be installed by skilled technical personnel in conformity with the safety rules in force. Incorrect installation may result in injury of persons or animals, or damage to property, for which the manufacturer cannot be held responsible.

- The appliance must be placed on a stable, flat surface (we recommend to install the appliance at an height between 80 and 100 cm from the floor).
- Before plugging in the appliance, make sure the voltage and frequency values of the supply mains correspond to the ratings indicated on the label featuring the appliance's technical data.
- The wall socket must be fitted with an

efficient earth contact. Consequently, it is essential to make sure the earth system is efficient and in conformity with current safety rules. If in any doubt, have the system thoroughly checked by personnel with the appropriate professional skills.

IT IS COMPULSORY TO EARTH THE APPLIANCE.

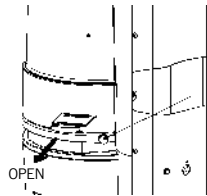
The manufacturer cannot be held responsible in the event this regulation is not complied with.

- It is essential to make sure the ratings of the system are suitable for the power absorbed by the appliance - as indicated on the label featuring the technical data - and that the wall socket is protected against overcur-

rents.

- Do not use extension cables, plug adapters for multiple sockets or makeshift connections.
- In EEC member countries, the regulation in force calls for the external equipotential terminal  $\nabla$  on the outer part of the appliance's base plate to be connected to a equipotential node if the installation is to be correct.
- The appliance is suitable for indoor use only. Do not use the appliance outdoor.
- Thoroughly clean the appliance at the first installation; follow the instructions in chapter 9 and 14.
- Do not install the appliance near to water dispenser or similar product that could throw water jet on the appliance.

## PRELIMINARIES



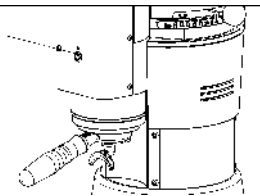
HOPPER  
HOPPER  
FIXING PIN

Make sure the hopper is positioned correctly on the appliance and fixed to the casing with relevant pins.

Close the locking slide and fill the hopper with coffee beans. Open the locking slide so that the beans are allowed to drop into the grinding system.

## SWITCHING THE APPLIANCE ON AND OFF

START PUSH BUTTON



In order to power up the appliance, turn the on-off switch knob to I.

Engage the filter holder directly to the appliance (**apply only a light amount of torque; if the grinder shifts on the counter top, you are using too much force**).

Once the filter holder is engaged, start the grinding in this way: push the start button to grind, dispense and tamper a double dose.

The red indicator lights located above the start button is illuminated when the appliance is grinding and tamping.

## 8. Operation of the appliance

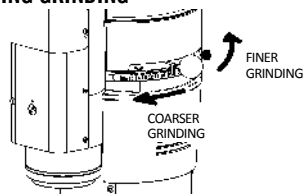
When the volume of ground coffee in the filter holder reaches the set level, the grinding motor turns off. The tamping motor continues to run for a few seconds, “polishing” the tamped coffee.

Once the red light is no longer illuminated, you may remove the filter holder from the grinder and engage it into the espresso machine.

If when you push the start button the red indicator lights will flash, is occurring at least one of the following conditions:

- You attempted to start the process with a full filter holder.
- The safety timer has run out due to an empty bean hopper, a closed locking slide, or a plugged bean hopper chute.
- There is no filter holder engaged in the appliance.

## ADJUSTING GRINDING



In order to achieve finer or coarser grinding, move the grinding adjustment level. To increase the coarseness of the ground coffee, the adjustment level must be rotated clockwise; to increase the fineness, turn the level anticlockwise.

The adjustment level remains in the chosen position without having to be locked in place. The adjustment must be performed with the motor on, and preferably without any coffee between the grinding blades. Grind small amounts of coffee in order to determine the optimal degree of fineness.

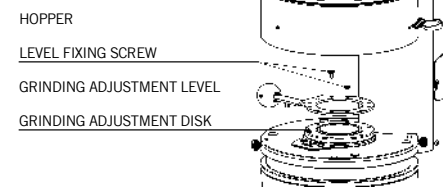
Before checking the fineness of the ground coffee, grind some doses of coffee to fill the duct between the grinding area and the outlet.

This operation must be done whenever the grinding setting has been changed in order to empty the duct of the previous ground coffee. The change of the grinding setting might vary the weight of the doses. Therefore adjust the doses only after the grinding setting.

In case the range of grinding adjustment is not enough, to get the requested grinding set, please proceed as the following:

- close the locking slide and switch the grinder off;
- unscrew the check pins of the coffee bean hopper and remove it;
- remove the screws which fix the grinding adjustment level into the grinding adjustment disk and remove the level;
- fit back the level and put the holes in line with the ones of the adjustment disk so to allow a wider grinding adjustment;
- tighten the screws of the level into the adjustment disk;

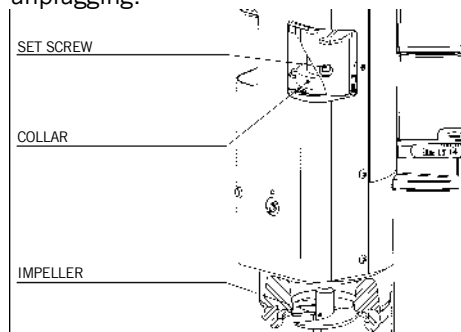
- put the hopper back;
- only after having secured the hopper into the grinder cabinet by tightening the pins, open the locking slide and proceed with the grinding adjustment.



If the coffee comes out of the espresso coffee machine very quickly, it means the coffee is ground too coarse. Vice versa, if it comes out too slowly, it means the coffee is ground too fine. Nonetheless, bear in mind that there are many conditions liable to influence the correct supply, such as the weight of the portions, the compacting, the espresso machine settings, and the cleaning of the filters.

### COFFEE DOSE ADJUSTMENT

The coffee dose adjustment must be done solely by skilled technical personnel only after disconnecting the appliance from the power supply by unplugging.

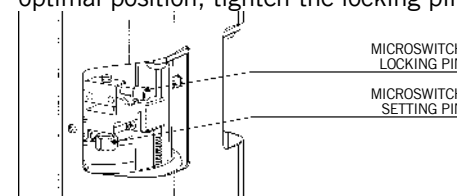


It is possible to change the dosage quantity by raising or lowering the height of the impeller.

Proceed as following:

- remove the tamper window by loosening the screws;
- loosen the set screw in the collar of the tamper shaft coupling.
- holding the tamper shaft coupling in place, rotate the impeller in the direction desired. To increase the dosage amount, turn the impeller clockwise, as viewed from below. To decrease the dosage amount, turn the impeller counter-clockwise, as viewed from below. Approximately, one 360° turn is equivalent to 1 gram of coffee.
- ensure that the set screw is against the flat side of the tamper shaft. Re-tighten the set screw in the collar of the tamper shaft coupling.

Finer adjustment of the dose can be given by moving the full limit microswitch. Loosen the microswitch locking pin. Change the height of the full limit microswitch by rotating the setting pin and, once obtained the optimal position, tighten the locking pin.



Before reconnecting the appliance to the power supply, fix the tamper window in correct position by relevant screws.



## 9. Warnings regarding operation

- Do not leave the appliances turned ON without coffee in the hopper.
- Do not insert, when filling the hopper with coffee beans, foreign objects. Handle with clean hands.
- After any hopper filling and in normal use of the appliance, the hopper lid must be positioned correctly.

### • FIRST INSTALLATION

For the correct use of the grinding blades, at the first installation or whenever the grinding blades have been replaced, grind some doses of coffee (approximately 1kg). Do not use those first doses.

### • OPERATING RANGE OF THE MOTOR

IN THE VERSIONS WITH SINGLE-PHASE MOTORS, OBSERVE THE DUTY CYCLE STATED IN THE LABEL LOCATED ON THE SIDE OF THE APPLIANCE.

E. g. : a data on the label 35s ON / 45s OFF points out an allowed duty cycle of 35 seconds switched on and 45 seconds switched off.

## 10. Safety devices

### THERMAL OVERLOAD PROTECTION

The appliance's motor is protected against overheating resulting from over-currents by a thermal overload protection which, when tripped, cuts off the power supply to the motor. Should the protection trip as a result of anomalous operation, such as the grinding blades jamming, the appliance must be turned off using the on-off switch, UNPLUGGED FROM THE MAINS, AND SKILLED TECHNICAL PERSONNEL CONTACTED. NEVER PERFORM ANY WORK ON THE APPLIANCE WHILE IT

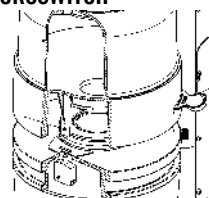
IS ATTACHED TO THE MAINS, TO AVOID THE RISK THAT MOTOR TURNS ON SUDDENLY. If the appliance overheats as a result of the motor stopping, allow the appliance to cool down before performing any repair work.

### MOTOR LOCKING MICROSWITCH

HOPPER

TONGUE

MICROSWITCH



The system that protects against accidental contact with the rotating parts of the grinding system consists of a microswitch, situated under the body of the appliance, that cuts the electricity to the motor.

The push button that controls this device is operated by a tongue in the collar of the hopper. If the hopper is removed or not properly in place, the microswitch prevents the appliance from working. To ensure the hopper is positioned correctly it must be fixed to the casing using the relevant pins.



This electrical appliance must be used in conformity with the rules in force governing safe operation.

- WHEN OPERATING THE APPLIANCE, BEWARE OF THE MOVING MECHANICAL PARTS' IN THE AREA OF THE GRINDING BLADES AND OF THE GROUND COFFEE OUTLET. BEFORE REMOVING THE HOPPER FROM THE GRINDING SYSTEM, DISCONNECT THE POWER SUPPLY. AVOID REMOVING FOREIGN BODIES FROM THE GRINDING SYSTEM OR HOPPER WITHOUT FIRST UNPLUGGING THE APPLIANCE FROM THE MAINS.
- Take care, as the grinding blades may continue rotating for a short while even after the appliance is switched off.
- THE USER IS NOT AUTHORIZED TO

REMOVE SCREWS OR ANY PARTS SCREWED ONTO THE APPLIANCE OR TO SABOTAGE THE ELECTRICAL CIRCUIT.

- In the event the appliance is not working properly or is faulty, contact skilled technical personnel, and do not attempt to make repairs yourself.
- BEFORE PERFORMING ANY WORK ON THE APPLIANCE, INCLUDING CLEANING AND/OR MAINTENANCE, DISCONNECT IT FROM THE POWER SUPPLY BY UNPLUGGING. TURNING OFF THE APPLIANCE USING ITS MASTER SWITCH DOES NOT ASSURE THE SAME CONDITIONS OF SAFETY.
- Do not sabotage the appliance.
- When the appliance is left unattended,

## 11. Warnings regarding safety

the appliance's power supply must be disconnected using its master switch (for example, at night, during work breaks, midweek closing or holidays).

- Do not let liquids of any kind come into contact with the internal or external parts of the appliance.
- Never put ground coffee in the hopper intended only for coffee beans.
- DO NOT TUG ON THE SUPPLY CABLE TO UNPLUG THE APPLIANCE FROM THE MAINS.
- Do not touch the appliance with damp or wet hands or feet.
- Do not use the appliance barefoot.

The manufacturer cannot be held responsible for bodily injury or damage to property if these regulations are not complied with.





## 12. Noise level

### EEC Countries:

The maximal noise emission of our appliances (valued as acoustic power) is 81 dB(A).

The daily personal noise exposure of a worker, due ONLY to an appliance's limit operation of 240 minutes per eight hours, is 78 dB(A), according to European Directive 86/188/EEC and

European Directive 2003/10/EC.

Therefore during the appliance's normal operation, no provisions are to be taken in order to prevent such risks arising or likely to arise from noise exposure at work (articles 3-8 of European Directive 2003/10/EC).

### USA & Canada:

The noise level of our appliances is

included within the limits stated in U.S. regulation 29 CFR 1910. 95 ('*Occupational Health and Environment Control - Occupational noise exposure*') for eight hours continuously in a day (in reference to a noise exposure due solely to appliance operation).

Said noise level has been determined on identical news appliances.

## 13. Maintenance

It is essential to check the state of the supply cable and plug periodically.

IN THE EVENT THE SUPPLY CABLE OR PLUG ARE DAMAGED, CALL IN SKILLED TECHNICAL PERSONNEL TO REPLACE THEM, THIS TO PREVENT ANY RISK.

IN CE-CERTIFIED APPLIANCES, A SPECIAL TOOL IS REQUIRED TO

OPEN THE BASE PLATE TO GET AT THE CABLE.

It is recommended to use original spare parts only.

In order to assure the lasting efficiency of the appliance, skilled technical personnel must be called in to perform periodical maintenance, including detailed checks of the state of those

components subject to wear.

The state of the grinding blades must be checked periodically. Keeping the grinding blades in an excellent state assures high-quality grinding, resulting in greater productivity and limited overheating.



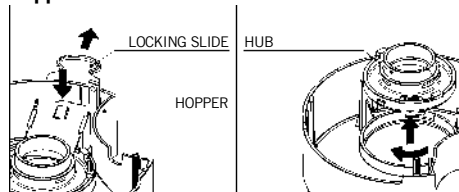
DISCONNECT THE APPLIANCE'S POWER SUPPLY BY UNPLUGGING IT BEFORE CLEANING. THE APPLIANCE MUST NOT BE CLEANED USING WATER JETS.

Do not install the appliance in rooms where water jets are used for cleaning. THE APPLIANCE MUST BE CLEANED PERIODICALLY BY SKILLED TECHNICAL PERSONNEL ONLY.

Use perfectly clean, disinfected cloths or brushes for cleaning.

Do not use abrasive products as these are liable to take the sheen off shiny parts.

#### Hopper



Wash the hopper once it has been removed from the appliance, using neutral soap and water, rinse abundantly with lukewarm and dry thoroughly.

To clean the internal surfaces it is necessary to remove the hopper, slip off

the locking slide by pushing down the click. Then turn the hub clockwise and lift to remove it (see picture).

It is advisable to clean the hopper periodically.

To reassemble completely the hopper please proceed in the reverse order with previous instructions.

Once the hopper has been cleaned it must be put back on the appliance properly fixing it with the relevant pins.

#### Grinding system

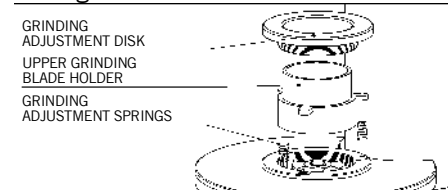
As explained in the paragraph "ADJUSTING GRINDING" remove the hopper and the adjustment level.

Unscrew the adjustment disk by turning it clockwise. After having removed the upper blade holder, clean the grinding blades, threads and the entire system thoroughly using a clean brush or cloth. To clean the threads of the grinder please use a small wire brush.

We recommend to check that the threads of the grinder and of the grinding adjustment disk are clean: to do so screw the adjustment disk anticlockwise

without the upper blade holder until the

end. If the grinding adjustment disk can not turn easily, than it is necessary to clean again. If the cleaning operations are not done as above the risk is to damage the threads.

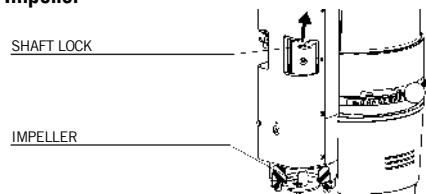


Please check that the grinding adjustment springs are on their place. Having refitted the upper grinding blade holder in the relevant slot, please lubricate, with grease suitable for food contact, the threads of the grinding adjustment disk and its underneath surface which touches the upper grinding blade holder. Screw the adjustment disk by turning it anticlockwise, place the adjustment level and fix it on adjustment disk with the relevant screws

After having refitted the hopper properly adjust grinding as required.



### Impeller



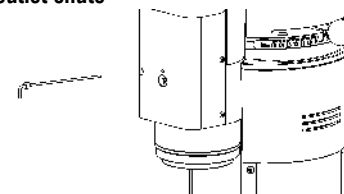
The impeller must be cleaned only by skilled technical personnel, **after disconnecting the appliance from the power supply**, according to the following instructions:

- Remove the tamper window by loosening the screws;
- Press and hold upward the shaft lock to prevent the shaft from turning;
- With your thumb and forefinger, press against the impeller flats. Turn the

impeller clockwise, as viewed from below, to remove;

- With the impeller out, clean around the bayonet ring with a clean brush or cloth and wipe loose grounds from this area;
- Insert the cleaning brush into the coffee collection area above the impeller and again wipe loose grounds away;
- Clean the impeller with a soft, dry cloth;
- Reinstall the impeller by turning counter clockwise;
- Before reconnecting the appliance to the power supply, fix the tamper window in correct position by relevant screws.

### Coffee outlet chute



The cleaning of the coffee outlet chute must be made by the insertion of the tool 5.372.5 into the hole (caution when moving the tool).

Produced by:

**Mazzer Luigi srl**

Via Moglianese, 113 – 30030 Gardigiano di Scorzè (Venezia) - Italy

E-mail: mazzer@mazzer.com - <http://www.mazzer.com>

All right reserved. It is prohibited to reproduce, adapt or translate this document without prior written authorization.

# vulcano swift

manuale d'istruzione

## Indice

1. Prefazione	pag. 2
2. Dimensioni	pag. 2
3. Imballo	pag. 2
4. Smaltimento	pag. 2
5. Descrizione generale	pag. 3
6. Impiego	pag. 4
7. Installazione ed allacciamento elettrico	pag. 4
8. Funzionamento dell'apparecchio	pag. 5
9. Avvertenze per l'uso	pag. 8
10. Protezioni	pag. 8
11. Avvertenze per la sicurezza	pag. 9
12. Rumore	pag. 10
13. Manutenzione	pag. 10
14. Pulizia dell'apparecchio	pag. 11



**la marzocco**

handmade in florence

La Marzocco S.r.l.

Via La Torre 14/H  
Località La Torre  
50038 Scarperia e San Piero  
(Firenze) – ITALIA

[www.lamarzocco.com](http://www.lamarzocco.com)  
[info@lamarzocco.com](mailto:info@lamarzocco.com)

T: +39 055 849 191  
F: +39 055 849 1990



## 1. Prefazione

Prima di utilizzare l'apparecchio leggere attentamente il presente manuale in ogni sua parte in quanto fornisce impor-

tanti indicazioni sulla sicurezza, l'uso e la manutenzione dell'apparecchio. Conservare con cura il presente

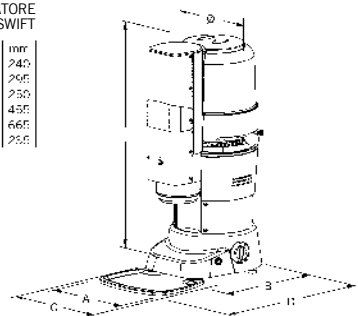
manuale.

Il fabbricante si riserva il diritto di modificare il prodotto ed il manuale.

## 2. Dimensioni

MACINADATORE  
VULCANO SWIFT

	mm
A	240
R	205
C	250
D	450
E	560
Ø	250



## 3. Imballo

Appena aperto l'imballo, controllare con cura che l'apparecchio sia integro e che non siano presenti danneggiamenti. In caso di dubbio non utilizzarlo e rivolgersi

a personale professionalmente qualificato. Le parti dell'imballaggio non devono essere lasciate alla portata dei bambini

in quanto fonte di potenziale pericolo.

Conservare l'imballo fino a garanzia scaduta.

## 4. Smaltimento

Evitare di disperdere nell'ambiente gli elementi dell'imballo attenendosi alle leggi vigenti. In caso si decidesse di non utilizzare più l'apparecchio si racco-

manda di renderlo inoperativo staccando la spina dell'alimentazione elettrica dalla presa di corrente e successivamente tagliando il cavo nel punto di

uscita dall'apparecchio.

Per lo smaltimento dei componenti dell'apparecchio rivolgersi a società specializzate.

**INFORMAZIONE AGLI UTENTI RESIDENTI NELL'UNIONE EUROPEA**

Ai sensi dell'art. 26 del Decreto Legislativo 14 Marzo 2014, n. 49: "Attuazione della direttiva 2012/19/UE sui rifiuti di apparecchiature elettriche

ed elettroniche (RAEE)".

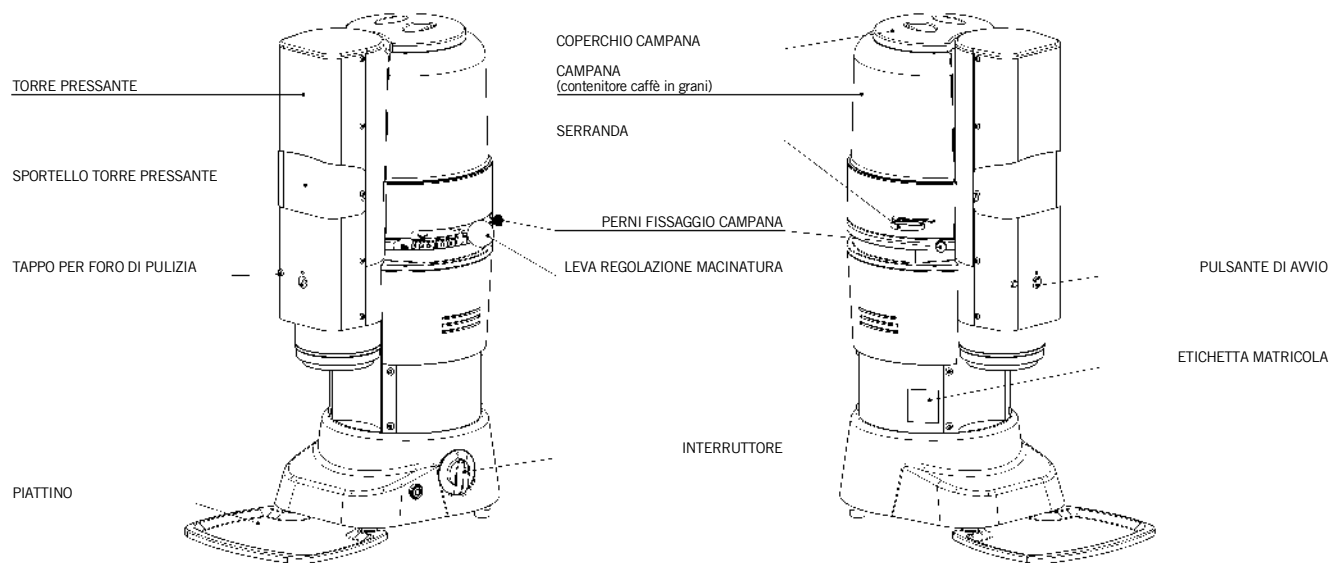


Il simbolo del cassonetto barrato qui riportato e presente sull'apparecchiatura o sulla sua confezione indica che il prodotto (AEE), alla fine della propria

vita utile deve essere raccolto separatamente dagli altri rifiuti, con divieto di smaltimento tra i rifiuti urbani misti.

Per maggiori informazioni contattare *La Marzocco s.r.l.*

## 5. Descrizione generale



## 6. Impiego

Questo apparecchio è stato concepito **ESCLUSIVAMENTE** per macinare caffè in grani. Ogni altro uso è da considerarsi improprio e pertanto pericoloso. Il costruttore declina ogni responsabilità per eventuali danni dovuti ad uso improprio od errato.

Non utilizzare l'apparecchio per macinare altri tipi di alimenti o altro.

I MACINADOSATORI DI NOSTRA PRODUZIONE SONO APPARECCHI DESTINATI A PERSONALE TECNICO

QUALIFICATO PER UN UTILIZZO ESCLUSIVAMENTE PROFESSIONALE E **NON PER UN USO DOMESTICO**. L'utilizzatore deve essere una persona adulta. Non permettere l'uso da parte di bambini o incapaci.

## 7. Installazione ed allacciamento elettrico

L'installazione deve essere effettuata da personale tecnico qualificato in conformità alle normative di sicurezza vigenti. Una installazione errata può causare danni a persone, animali o cose, per i quali il costruttore non può essere considerato responsabile.

- L'apparecchio deve essere posizionato su di una superficie stabile e piana (si consiglia una distanza dal pavimento compresa tra 80 e 100 cm).
- Prima di inserire la spina controllare che i valori di tensione e di frequenza della rete di alimentazione elettrica corrispondano a quelli indicati sulla etichetta contenente i dati tecnici dell'apparecchio.
- La presa di corrente deve essere fornita di un contatto di terra efficiente. E' importante quindi verificare che l'im-

pianto di messa a terra sia efficace e conforme alle attuali norme di sicurezza. In caso di dubbio far eseguire da parte di personale professionalmente qualificato un accurato controllo all'impianto.

E' **OBBLIGATORIO IL COLLEGAMENTO A TERRA DELL'APPARECCHIO.**

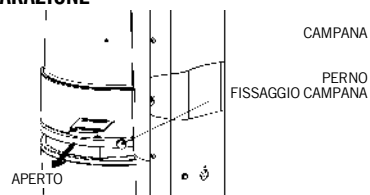
Il costruttore declina ogni responsabilità qualora questa norma non venga rispettata.

- E' importante verificare che la portata elettrica dell'impianto sia adeguata alla potenza e/o corrente assorbite dall'apparecchio indicate sulla etichetta contenente i dati tecnici e che la presa sia protetta contro le sovracorrenti.
- Non utilizzare prolunghie, adattatori elettrici per prese multiple o collega-

menti volanti.

- Nei paesi appartenenti alla CEE la normativa vigente prevede che per una corretta installazione dell'apparecchio, il morsetto equipotenziale esterno  $\nabla$  presente sulla parte esterna della piastra di fondo dell'apparecchio, debba essere collegato ad un nodo equipotenziale.
- L'apparecchio è adatto esclusivamente per uso all'interno. Non utilizzare l'apparecchio all'aperto.
- Pulire accuratamente l'apparecchio alla prima installazione; in particolare seguire le istruzioni dei successivi capitoli 9 e 14.
- Non installare l'apparecchio vicino a dispenser di acqua o a prodotti simili che possono proiettare anche accidentalmente getti di acqua sull'apparecchio.

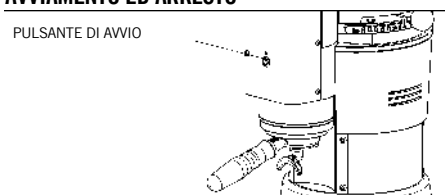
## PREPARAZIONE



Verificare che la campana sia posizionata correttamente sull'apparecchio e fissata alla carenatura con gli appositi perni.

Chiudere la serranda e riempire la campana con caffè in grani. Aprire la serranda in modo da consentire l'entrata dei chicchi di caffè nel sistema di macinatura.

## AVVIAMENTO ED ARRESTO



Per dare corrente all'apparecchio ruotare la manopola dell'interruttore nella posizione I.

Inserire il portafiltro direttamente sull'apparecchio (**esercitare solo una leggera torsione; se il macinacaffè si sposta sul banco, si sta esercitando una forza eccessiva**).

Dopo aver inserito il portafiltro nell'apparecchio, avviare la macinatura procedendo nel seguente modo: premere il pulsante di avvio per macinare, dosare e pressare una dose doppia.

La spia luminosa rossa situata sopra il tasto di avvio si accende quando l'apparecchio sta macinando e pressando.

## 8. Funzionamento dell'apparecchio

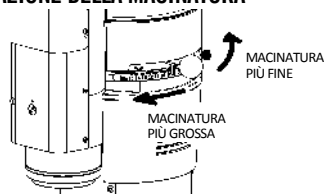
Quando il caffè macinato nel portafiltro raggiunge la dose prestabilita, il motore della macinazione si spegne. Il motore della pressione rimane in azione alcuni secondi, per ultimare la pressatura del caffè.

Una volta spenta la spia luminosa è possibile togliere il portafiltro dall'apparecchio ed inserirlo nella macchina per l'espresso.

Se alla pressione del pulsante di avviamento la luce spia rossa lampeggia, allora si sta verificando almeno una delle seguenti condizioni:

- State tentando di avviare il processo con un portafiltro pieno.
- Il timer di sicurezza si è fermato a causa della tramoggia vuota, la serranda è chiusa, o il piano inclinato della tramoggia è intasato.
- Non vi è alcun portafiltro inserito nell'apparecchio.

## REGOLAZIONE DELLA MACINATURA



Per macinare il caffè più o meno fine si deve agire sulla leva di regolazione macinatura. Per aumentare la grossezza del macinato è necessario ruotare la leva in senso orario; per diminuirla è necessario ruotare la leva in senso antiorario. La leva rimane nella posizione fissata senza necessità di alcun arresto. La regolazione va effettuata con motore avviato e possibilmente senza caffè tra le macine. Macinare piccoli quantitativi di caffè per la ricerca della granulometria ottimale.

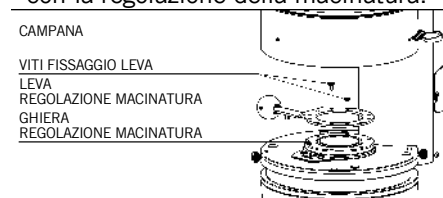
Prima di verificare la finezza del macinato macinare qualche dose di caffè per riempire il condotto tra la zona di macinatura e la bocchetta di uscita del macinato.

Tale operazione va eseguita ogni qual volta viene variata la macinatura, per svuotare il condotto dal macinato precedente. La variazione della granulometria del macinato potrebbe variare il peso delle dosi. Regolare quindi la dose solo successivamente alla regolazione della macinatura.

Nel caso in cui non fosse possibile, a causa del limitato angolo di azione della leva, raggiungere il livello di granulosità desiderato, procedere nel seguente modo:

- chiudere la serranda e spegnere l'apparecchio;
- svitare i perni di fissaggio della campana e rimuovere la stessa;
- svitare le viti che fissano la leva di regolazione alla ghiera e rimuovere la leva;
- riposizionare la leva allineando i fori per il fissaggio, ai fori presenti sulla ghiera che permettono la più ampia ed opportuna regolazione della macinatura;

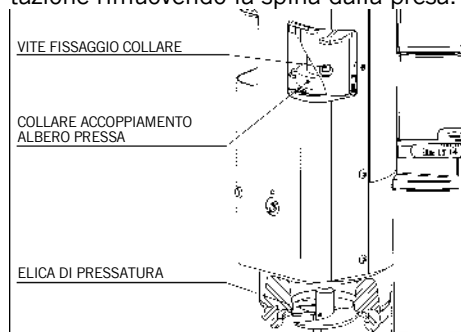
- fissare la leva alla ghiera con le apposite viti;
- riposizionare la campana;
- solo dopo aver fissato la campana alla carenatura, avvitando gli appositi perni, aprire la serranda e procedere con la regolazione della macinatura.



Se l'erogazione della macchina per espresso è molto rapida significa che il caffè è macinato troppo grosso. Se viceversa l'erogazione è molto lenta significa che il caffè è macinato troppo fine. Deve comunque essere considerato che sono molteplici le condizioni che possono influenzare la corretta erogazione, quali la grammatura della dose, la pressatura, la regolazione della macchina espresso e la pulizia dei filtri.

### REGOLAZIONE DELLA DOSE DEL CAFFÈ MACINATO

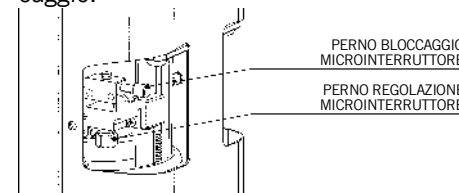
La regolazione della dose deve essere effettuata esclusivamente da personale tecnico qualificato solo dopo aver scollegato l'apparecchio dalla rete di alimentazione rimuovendo la spina dalla presa.



E' possibile cambiare la quantità del dosaggio alzando o abbassando l'altezza dell'elica di pressatura; procedere nel seguente modo:

- togliere lo sportello allentando le viti;
- allentare la vite di fissaggio nel collare di accoppiamento dell'albero della pressa;
- reggere in posizione il collare di accoppiamento dell'albero della pressa e ruotare l'elica nella direzione desiderata. Per aumentare la dose, girare l'elica in senso orario, guardando dal basso; per diminuire la dose, girare l'elica in senso antiorario, guardando dal basso. Indicativamente, un giro di 360° equivale ad 1 grammo di caffè;
- assicurarsi che la vite di fissaggio del collare sia posta contro il lato piatto dell'albero di pressa e stringere nuovamente la vite di fissaggio nel collare di accoppiamento dell'albero della pressa.

Piccoli aggiustamenti della dose possono essere fatti agendo anche sul microinterruttore di fine corsa. Allentare il perno di bloccaggio del microinterruttore. Variare l'altezza del microinterruttore agendo sul perno di regolazione e, una volta trovata la posizione ottimale, serrare nuovamente il perno di bloccaggio.



Prima di collegare l'apparecchio alla rete di alimentazione riposizionare correttamente lo sportello e fissarlo con le relative viti.

## 9. Avvertenze per l'uso

- Non lasciare l'apparecchio in funzione senza caffè nella campana.
- Nelle operazioni di riempimento della campana di caffè assicurarsi di non introdurre corpi estranei. Maneggiare con mani pulite.
- Riposizionare sempre il coperchio della campana dopo ogni riempimento e durante il normale uso dell'apparecchio.

### • PRIMA INSTALLAZIONE

Per un funzionamento corretto delle macine alla prima installazione e ad ogni cambio di macine, macinare alcune dosi di caffè (circa 1kg). Non utilizzare queste prime dosi di macinato per l'erogazione del caffè.

### • CAMPO DI SERVIZIO DEL MOTORE

NELLE VERSIONI CON MOTORE MONOFASE RISPETTARE IL CICLO DI FUNZIONAMENTO INDICATO NELL'ETICHETTA APPLICATA A LATO DELL'APPARECCHIO.

Es. Un dato di targa 35s ON / 45s OFF indica un ciclo di funzionamento consentito di 35 secondi acceso (On) e 45 secondi spento (Off).

## 10. Protezioni

### PROTETTORE TERMICO

Il motore dell'apparecchio è protetto da eccessivi riscaldamenti dovuti a sovracorrenti da un protettore termico che interviene interrompendo l'alimentazione del motore. Nel caso si verificasse l'intervento del protettore termico, causato da anomalie di funzionamento come ad esempio un blocco delle macine, è necessario spegnere l'apparecchio agendo sull'interruttore, TOGLIERE LA SPINA DI COLLEGAMENTO ALLA RETE ELETTRICA E RIVOLGERSI A PERSONALE TECNICAMENTE QUALIFICATO. NON INTERVE-

NIRE MAI SULL'APPARECCHIO SOTTO TENSIONE PER IL RISCHIO CHE IL MOTORE POSSA RIPARTIRE IMPROVVISAMENTE. Se l'apparecchio si è surriscaldato a causa del blocco del motore è necessario attendere il raffreddamento prima di intervenire.

### MICROINTERRUTTORE DI BLOCCO DEL MOTORE

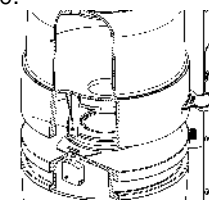
Il sistema di protezione dal contatto accidentale con le parti rotanti del sistema di macinatura è costituito da un microinterruttore, posizionato sotto la carenatura dell'apparecchio, che interrompe l'alimentazione elettrica del motore.

Il pulsante di tale dispositivo viene azionato da una lamella presente sulla campana; se la campana viene rimossa o non posizionata nella sua sede correttamente il microinterruttore non azionato impedisce il funzionamento dell'apparecchio.

CAMPANA

LAMELLA

MICROINTERRUTTORE



Per un corretto posizionamento della campana questa deve essere fissata alla carenatura tramite gli appositi perni.

L'uso di questo apparecchio elettrico deve sottostare alle norme comportamentali di sicurezza vigenti:

- FARE ATTENZIONE DURANTE IL FUNZIONAMENTO DELL'APPARECCHIO ALLA PRESENZA DI PARTI MECCANICHE IN MOVIMENTO IN CORRISPONDENZA DEL SISTEMA DI MACINATURA E DELL'USCITA DEL CAFFÈ MACINATO. PRIMA DI RIMUOVERE LA CAMPANA DAL SISTEMA DI MACINATURA SCOLLEGARE LA TENSIONE DI ALIMENTAZIONE. EVITARE DI RIMUOVERE EVENTUALI OGGETTI ESTRANEI PRESENTI NEL SISTEMA DI MACINATURA O NELLA CAMPANA SENZA AVER PRIMA STACCATO LA SPINA DALLA RETE ELETTRICA.
- Fare attenzione che per qualche istante dopo l'arresto le macine possono essere ancora in rotazione.

- NON E' CONSENTITA DA PARTE DELL'UTENTE LA RIMOZIONE DI VITI O PARTI FISSATE CON VITI O LA MANOMISSIONE DEL CIRCUITO ELETTRICO.
- In caso di cattivo funzionamento o guasto rivolgersi a personale tecnico professionalmente qualificato senza tentare alcun intervento di riparazione.
- PRIMA DI EFFETTUARE SULL'APPARECCHIO QUALSIASI INTERVENTO, OPERAZIONE DI PULIZIA E/O MANUTENZIONE DISINSERIRLO DALLA RETE DI ALIMENTAZIONE ELETTRICA RIMUOVENDO LA SPINA DALLA PRESA. LO SPEGNIMENTO DELL'INTERRUTTORE GENERALE DELL'APPARECCHIO NON ASSICURA LE STESSE CONDIZIONI DI SICUREZZA.
- Non manomettere l'apparecchio.
- Quando l'apparecchio rimane incusto-

## 11. Avvertenze per la sicurezza

dito è indispensabile togliere tensione all'apparecchio tramite il suo interruttore generale (per esempio durante la notte, le pause, le chiusure settimanali o le vacanze).

- Non immettere liquidi di alcun genere a contatto con le parti interne o esterne dell'apparecchio.
- Non mettere assolutamente caffè macinato nella campana del caffè in grani.
- NON TIRARE IL CAVO DI ALIMENTAZIONE PER SCOLLEGARE L'APPARECCHIO DALLA RETE.
- Non toccare l'apparecchio con mani o piedi umidi o bagnati.
- Non utilizzare l'apparecchio a piedi nudi.

L'inosservanza di queste norme solleva il costruttore da ogni responsabilità per danni a persone o cose.

## 12. Rumore

### Paesi CEE:

La massima emissione sonora dei nostri apparecchi (in termini di potenza sonora) è pari a 81dB(A).

Il livello equivalente di esposizione sonora per un operatore, legato ESCLUSIVAMENTE ad un funzionamento limite dell'apparecchio di 240 minuti su otto ore, è pari a 78dB(A), in accordo con la Direttiva Europea 86/188/EC e

successiva revisione 2003/10/EC. L'utilizzo dell'apparecchio non necessita pertanto di nessuna precauzione contro rischi derivanti da esposizione al rumore nei luoghi di lavoro (articoli 3-8 della Direttiva Europea 2003/10/EC).

### USA e Canada:

Il livello sonoro dei nostri apparecchi rientra nei limiti prescritti dal regola-

mento federale statunitense 29 CFR 1910.95 ('*Occupational Health and Environment Control - Occupational noise exposure*') per otto ore giornaliere continuative (in riferimento ad una esposizione sonora legata esclusivamente al funzionamento dell'apparecchio).

Tale livello sonoro è stato determinato su apparecchi nuovi identici.

## 13. Manutenzione

E' indispensabile effettuare periodiche verifiche sullo stato del cavo e della spina di alimentazione.

IN CASO DI DANNEGGIAMENTO DEL CAVO O DELLA SPINA DI ALIMENTAZIONE RICHIEDERE L'INTERVENTO DI PERSONALE TECNICO QUALIFICATO PER LA SOSTITUZIONE IN MODO DA PREVENIRE OGNI RISCHIO.

NEGLI APPARECCHI CON MARCA-

TURA **CE** PER APRIRE LA PIASTRA DI FONDO PER INTERVENIRE SUL CAVO E' NECESSARIO L'USO DI UN UTENSILE SPECIALE.

Si raccomanda di utilizzare solo ricambi originali.

Per assicurare l'efficienza dell'apparecchio è indispensabile far effettuare da personale tecnico qualificato la manutenzione periodica con dettagliati

controlli sullo stato dei componenti maggiormente soggetti ad usura.

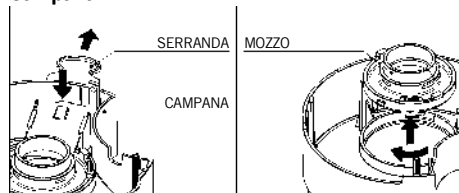
E' necessario verificare periodicamente lo stato di usura delle macine. Un ottimo stato delle macine garantisce una elevata qualità della macinatura con maggior produttività e limitazione del surriscaldamento.

TOGLIERE LA TENSIONE DI ALIMENTAZIONE DELL'APPARECCHIO RIMUOVENDO DALLA PRESA LA SPINA PRIMA DI INIZIARE LA PULIZIA. L'APPARECCHIO NON DEVE ESSERE PULITO CON UN GETTO D'ACQUA.

Non installare l'apparecchio in locali in cui è prevista la pulizia con getti d'acqua. E' NECESSARIO FAR EFFETTUARE PERIODICAMENTE LA PULIZIA DELL'APPARECCHIO ESCLUSIVAMENTE DA PERSONALE TECNICO QUALIFICATO. Per la pulizia utilizzare panni o pennelli perfettamente puliti e igienizzati.

Non utilizzare prodotti abrasivi per non togliere ai particolari la loro lucentezza.

#### Campana



Lavare la campana dopo averla rimossa dall'apparecchio, con acqua e sapone neutro, risciacuarla accuratamente con acqua tiepida e asciugarla perfettamente. Per pulire le superfici interne è necessa-

rio smontare la campana: sfilare la serranda agendo sull'apposito dentino di blocco, successivamente rimuovere il mozzo ruotandolo in senso orario e sollevandolo (vedi figura).

Si consiglia di effettuare periodicamente la pulizia della campana.

Per riassemblare completamente la campana, eseguire in ordine inverso le precedenti istruzioni.

Dopo la pulizia, la campana deve essere correttamente fissata all'apparecchio tramite gli appositi perni di fissaggio.

#### Sistema di macinatura

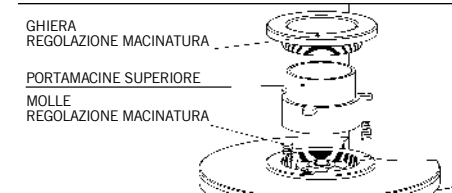
Come spiegato nel paragrafo "REGOLAZIONE DELLA MACINATURA" rimuovere la campana e la leva di regolazione macinatura.

Svitare la ghiera di regolazione ruotandola in senso orario. Dopo aver tolto il portamacine superiore pulire accuratamente le macine, i filetti e l'intero sistema di macinatura utilizzando un pennello ed un panno asciutto. Per il filetto dell'apparecchio si consiglia l'uso di uno spazzolino con fili metallici.

Si consiglia di verificare la pulizia dei filetti della ghiera di regolazione e dell'ap-

## 14. Pulizia dell'apparecchio

parecchio avvitando la ghiera fino a fine corsa senza aver inserito il portamacine superiore; se l'avvitamento della ghiera non avviene in modo agevole è necessario ripetere la pulizia. Agendo diversamente si corre il rischio di danneggiare i filetti.

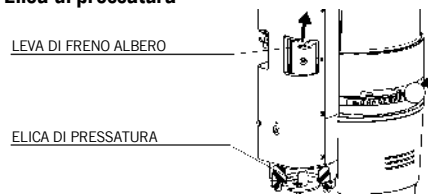


Verificare la presenza nella loro sede delle molle di regolazione macinatura. Dopo aver riposizionato il portamacine superiore nella sua sede, lubrificare con del grasso idoneo al contatto con alimenti il filetto della ghiera di regolazione e il piano di appoggio che va a contatto con il portamacine superiore.

Riavvitare la ghiera di regolazione ruotandola in senso antiorario, riposizionare la leva e fissarla alla ghiera con le apposite viti.

Dopo aver riposizionato la campana fissandola opportunamente, effettuare la regolazione del grado di macinatura.

### Elica di pressatura



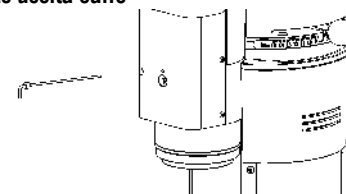
La pulizia dell'elica di pressatura deve essere effettuata esclusivamente da personale tecnicamente qualificato, **dopo aver scollegato l'apparecchio dalla rete di alimentazione**, seguendo la seguente procedura:

- Togliere lo sportello allentando le viti;
- Premere e tenere premuta verso l'alto la leva di freno per impedire che l'albero giri;
- Con il pollice e l'indice premere contro

le parti piatte dell'elica. Girare l'elica in senso orario, guardando dal basso, per toglierlo;

- Estratta l'elica, pulire intorno all'anello a baionetta con pennello asciutto e strofinare via i grani sciolti da questa zona.
- Inserire il pennello di pulizia dentro l'area di raccolta sopra l'elica e di nuovo strofinare via i grani sciolti.
- Pulire l'elica con un panno morbido, asciutto.
- Installare di nuovo l'elica girando in senso antiorario.
- Prima di collegare l'apparecchio alla rete di alimentazione riposizionare correttamente lo sportello e fissarlo con le relative viti.

### Condotto uscita caffè



La pulizia del condotto di uscita del caffè deve essere effettuata inserendo delicatamente l'utensile 5.372.5 nel foro indicato prestando particolare attenzione nel movimento di questo.

Prodotto da:

**Mazzer Luigi srl**

Via Moglianese, 113 – 30030 Gardigiano di Scorzè (Venezia) - Italy

E-mail: mazzer@mazzer.com - <http://www.mazzer.com>

Tutti i diritti riservati. E' vietato riprodurre, adattare o tradurre il presente documento senza previa autorizzazione scritta.

Prima Edizione: 2013  
Ultima Revisione: VS03 02/2015

# vulcano swift

livret d'instructions

## Tables des matières

1. Recommandations préalables	page 2
2. Dimensions	page 2
3. Emballage	page 2
4. Élimination	page 2
5. Description générale	page 3
6. Utilisation	page 3
7. Installation et branchement électrique	page 4
8. Fonctionnement de l'appareil	page 5
9. Recommandations pour l'utilisation	page 8
10. Protections	page 8
11. Recommandations de sécurité	page 9
12. Bruit	page 10
13. Entretien	page 10
14. Nettoyage de l'appareil	page 11



**la marzocco**

handmade in florence

La Marzocco S.r.l.

Via La Torre 14/H  
Località La Torre  
50038 Scarperia e San Piero  
(Firenze) – ITALIA

[www.lamarzocco.com](http://www.lamarzocco.com)  
[info@lamarzocco.com](mailto:info@lamarzocco.com)

T: +39 055 849 191  
F: +39 055 849 1990

FR

## 1. Recommandations préalables

Avant d'utiliser l'appareil, lire attentivement et intégralement la présente notice, celle-ci fournit toutes les informations importantes sur la sécurité,

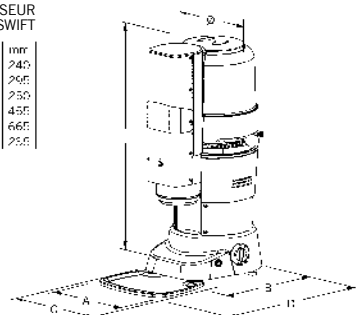
l'utilisation et l'entretien de l'appareil. Conserver soigneusement la présente notice.

Le fabricant se réserve la faculté d'apporter toute modification à l'appareil et à la notice.

## 2. Dimensions

MOULIN DOSEUR  
VULCANO SWIFT

mm
A 240
R 295
C 250
D 455
E 665
Ø 255



## 3. Emballage

Après avoir ouvert l'emballage, contrôler attentivement que l'appareil est intact et qu'il n'a subi aucun dommage. En cas de doute, ne pas l'utiliser et s'adresser à

une personne qualifiée. Les matériaux d'emballage ne doivent pas être laissés à la portée des enfants; ils constituent un danger potentiel.

Conserver l'emballage pendant toute la durée de la garantie.

## 4. Élimination

Les matériaux d'emballage doivent être éliminés conformément à la réglementation en vigueur.

En cas de mise hors service définitive de l'appareil, il est recommandé de le débrancher de la prise d'alimentation

électrique et de couper le fil d'alimentation à la base de l'appareil afin de rendre celui-ci inutilisable.

Pour l'élimination des composants de l'appareil, s'adresser à une société spécialisée.

**INFORMATIONS DESTINÉS AUX USAGERS  
RÉSIDENTS EN UNION EUROPÉENNE**

Conformément à l'art. 26 du décret-loi

du 14 mars 2014 n° 49 : « Application de la directive 2012/19/UE relative aux déchets d'équipements électriques et électroniques (DEEE). »

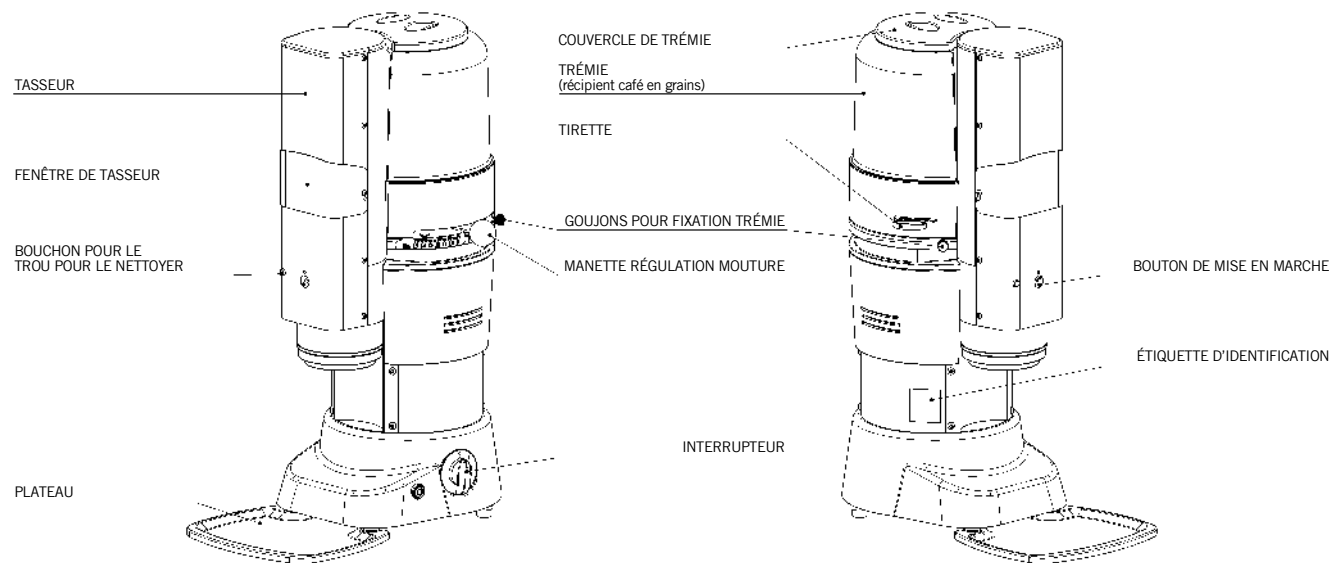


Le symbole de poubelle barrée figurant sur l'appareil ou sur son emballage indique que le

produit (EEE), une fois arrivé en fin de vie utile, doit être collecté séparément des autres déchets, avec interdiction de le jeter parmi les déchets urbains.

Pour plus d'informations, contactez *La Marzocco s.r.l.*

## 5. Description générale



## 6. Utilisation

Cet appareil a été conçu EXCLUSIVEMENT pour moulinier du café en grains. Toute autre utilisation doit être considérée comme impropre et par conséquent dangereuse. Le constructeur décline toute responsabilité en cas de dommages provoqués par une utilisation impropre ou ne

respectant pas les instructions prévues. Ne pas utiliser l'appareil pour hacher ou moulinier d'autres aliments ni autres matières que le café.

LES MOULINS DOSEURS QUE NOUS PRODUISONS SONT DES APPAREILS DESTINÉS À ÊTRE UTILISÉS PAR UN

PERSONNEL QUALIFIÉ, DANS LE CADRE D'UN EMPLOI EXCLUSIVEMENT PROFESSIONNEL ET **NON PAS DANS LE CADRE D'UN EMPLOI PRIVÉ**. L'utilisateur doit être une personne adulte. Ne pas laisser enfants et personnes handicapées utiliser l'appareil.

## 7. Installation et branchement électrique

L'installation doit être effectuée par un technicien qualifié dans le respect des normes de sécurité en vigueur. Une mauvaise installation peut entraîner des dommages matériels et physiques; le constructeur déclinant en cas toute responsabilité.

- L'appareil doit être installé sur une surface stable et plate (on recommande une distance du sol entre 80 et 100 cm).
- Avant de brancher la prise de l'appareil contrôler que tension et fréquence de secteur correspondent aux valeurs indiquées sur l'étiquette des caractéristiques techniques de l'appareil.
- La prise de courant à laquelle est relié l'appareil doit être munie d'une borne de mise à la terre. Il est important de contrôler que le système de mise à la

terre est pleinement efficace et conforme aux normes de sécurité en vigueur. En cas de doute, le faire contrôler par un technicien qualifié.

LA MISE A LA TERRE DE L'APPAREIL EST OBLIGATOIRE.

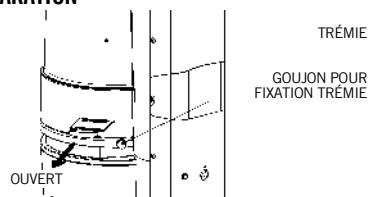
Le constructeur décline toute responsabilité en cas de non-respect de la norme ci-dessus.

- Il est important de vérifier que la puissance de l'installation électrique est suffisante pour la consommation électrique de l'appareil, laquelle est indiquée sur l'étiquette des caractéristiques techniques et de vérifier également que la prise est dotée d'une protection en cas de surtension.
- N'utiliser ni rallonges, ni adaptateurs électriques pour prises multiples ni fils

volants pour le branchement.

- Dans les pays membres de l'UE, les normes en vigueur prévoient, pour assurer une bonne installation de l'appareil, que la borne équipotentielle externe  $\nabla$  présente sur la partie externe du fond de l'appareil, soit raccordée à un nœud équipotentiel.
- L'appareil est adapté exclusivement pour usage à l'intérieur. Ne pas utiliser à l'extérieur.
- Nettoyer soigneusement l'appareil à la première installation; en particulier suivre les instructions des chapitres successifs 9 et 14.
- Ne pas installer l'appareil près d'un dispenser à l'eau ou de produits similaires qui peuvent projeter même accidentellement des jets d'eau sur l'appareil.

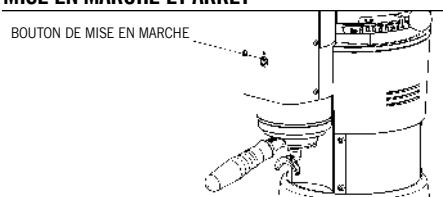
## PRÉPARATION



S'assurer que le récipient à café est correctement positionné sur l'appareil et fixé à la carrosserie avec le goujons.

Fermer le volet et remplir le récipient de café en grains. Ouvrir le volet de façon à permettre l'introduction du café dans le système de mouture.

## MISE EN MARCHÉ ET ARRÊT



Pour mettre l'appareil sous tension, placer l'interrupteur sur la position I.

Enclencher le porte-filtre directement sur l'appareil (**exercer seulement une légère torsion; si le moulin à café glisse sur la surface du comptoir, c'est que vous forcez trop**).

Après avoir enclenché le porte filtre dans l'appareil, commencer la mouture du café comme expliqué suit: appuyer le bouton de mise en marche pour mouler, doser et tasser une double dose.

Le témoin lumineux rouges situé au-dessus de bouton de mise en marche s'allument lorsque le appareil est en train de mouler et de tasser.

## 8. Fonctionnement de l'appareil

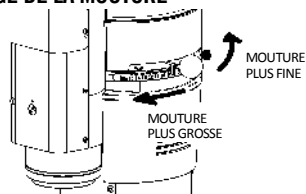
Lorsque le volume du café moulu dans le porte-filtre atteint le niveau réglé, le moteur de broyage s'éteint. Le moteur du tasseur continue à fonctionner pendant quelques secondes pour «raffiner» le café tassé.

Une fois que la lumière rouge au est éteinte, vous pouvez enlever le porte-filtre du appareil et l'enclencher dans la machine à espresso.

En cas après avoir appuyé sur le bouton de mise en marche le lumière rouge cli-gnot, il est possible que:

- Vous tentez de faire partir le processus alors que le porte-filtre est plein.
- La minuterie de sécurité s'est arrêtée car la trémie à grains est vide, le tirette est fermé ou le conduit de descente de la trémie à grains est bouché.
- Le porte-filtre n'est pas enclenché au l'appareil.

## RÉGLAGE DE LA MOUTURE



Le réglage de la mouture (plus ou moins fine) s'effectue par l'intermédiaire de la manette de réglage. Pour diminuer la finesse de la mouture, la manette doit être déplacée dans le sens des aiguilles d'une montre; pour augmenter la finesse de la mouture elle doit être déplacée dans le sens contraire des aiguilles d'une montre.

La manette reste fixe dans la position de réglage choisi et ne nécessite aucun blocage. Le réglage doit être effectué avec le moteur en marche et si possible sans café entre les lames.

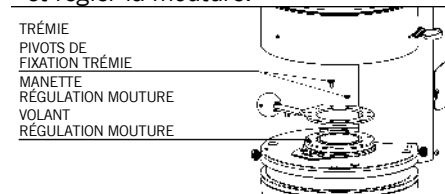
Moudre de petites quantités de café jusqu'à ce que soit obtenue la granulométrie voulue. Avant de vérifier la finesse du café moulu, moudre quelques doses de café pour remplir le conduit entre la zone de mouture et la bouche de sortie du café moulu.

Il faut effectuer cette opération chaque fois que l'on change la mouture, pour vider le conduit du café moulu précédent. La variation de la granulométrie du café moulu pourrait changer le poids des doses. Régler la dose seulement après le réglage de la mouture.

Dans le cas où il n'est pas possible, à cause de la course limitée de la manette de régulation mouture, obtenir le point de mouture désiré, procéder de la façon suivante:

- fermer la tirette et arrêter l'appareil;
- dévisser les pivots de fixation de la trémie et l'enlever;
- dévisser les vis de fixation de la manette de régulation au volant et enlever la manette;
- remettre la manette en alignant les trous de la manette à ceux-là du volant qui permettent une régulation de mouture plus ample;
- fixer la manette au volant par les vis correspondants;
- remettre la trémie;

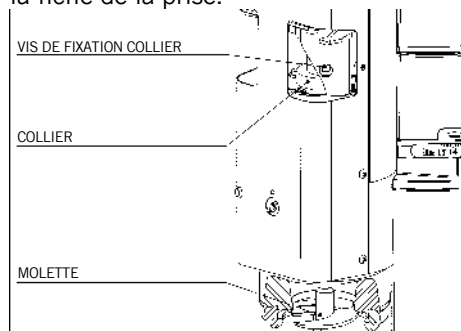
- seulement après avoir remis la trémie sur la carrosserie (appareil), visser les pivots correspondants, ouvrir la tirette et régler la mouture.



Si l'écoulement du café sur la machine à café est très rapide, cela signifie que le café est moulu trop gros. Si au contraire le café s'écoule très lentement, cela signifie que le café est moulu trop fin. Néanmoins, la finesse de la mouture n'est pas le seul facteur à prendre en compte pour obtenir un écoulement normal du café, il convient également de tenir compte de la quantité de la dose, du pressage, du réglage de la machine à café et de la propreté des filtres.

### RÉGLAGE DE LA DOSE DE CAFÉ MOULU

Le réglage de la dose ne pourra être effectué par le personnel technique agréé et uniquement après avoir coupé le courant à l'appareil, en débranchant la fiche de la prise.

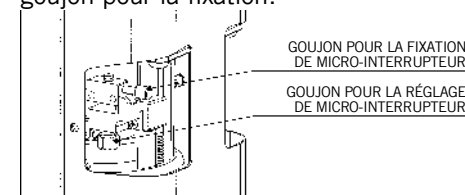


Il est possible de changer la quantité du dosage en augmentant ou en abaissant la hauteur de la molette; procédez comme suit:

- retirez le fenêtre de tasseur en desserrer les vis;

- desserrer la vis de réglage située dans le collier du dispositif de couplage du tasseur;
- maintenez le dispositif de couplage du tasseur et tournez la molette dans la direction voulue. Pour augmenter la quantité du dosage, tournez la molette dans le sens des aiguilles d'une montre (du ci-dessous); pour diminuer la quantité du dosage, tournez la molette dans le sens inverse des aiguilles d'une montre (du ci-dessous). Indicativement, un tour de 360° équivaut à environ 1 gramme de café;
- Assurez-vous que la vis de réglage est contre le côté plat du conduit du tasseur. Resserrez la vis de réglage du collier du dispositif de couplage du tasseur.

Réglage plus fin de la dose peut être donnée en déplaçant le micro-interrupteur de pleine limite. Desserrer le goujon pour la fixation de micro-interrupteur. Modifier la hauteur de le micro-interrupteur de pleine limite par la mise en rotation goujon pour la réglage et, une fois obtenue la position optimale, serrer le goujon pour la fixation.



Avant de rebrancher l'appareil au secteur, remonter le fenêtre de tasseur.

## 9. Recommandations pour l'utilisation

- Ne jamais laisser les appareils en marche alors que le récipient à café est vide.
- Dans les opérations de remplissage de la trémie avec du café en grains s'assurer de ne pas faire entrer de corps étrangers. Manipuler avec mains propres.
- Toujours remettre le couvercle sur la trémie après chaque remplissage et pendant le normal usage de l'appareil.

### • PREMIÈRE INSTALLATION

Pour le bon fonctionnement des machines, lors de la première installation et à chaque changement de meules, moule d'abord quelques doses de café (environ 1 kg). Ne pas servir ces premières doses de café moulu.

### • DURÉE DE FONCTIONNEMENT DU MOTEUR

POUR LES VERSIONS AVEC MOTEUR MONOPHASÉ, RESPECTER LE CYCLE DE MARCHE MENTIONNÉ DANS L'ÉTIQUETTE PLACÉE SUR LE CÔTÉ DE L'APPAREIL.

Exemple: la donnée de la plaque 35s ON / 45s OFF indique un cycle de marche permis de 35 seconds en marche (On) et 45 seconds d'arrêt (Off).

## 10. Protections

### PROTECTION THERMIQUE

Le moteur de l'appareil est protégé contre la surchauffe et la surtensions par une protection thermique qui, lorsqu'elle intervient, coupe l'alimentation électrique du moteur. En cas d'intervention de la protection thermique, provoquée par une anomalie durant le fonctionnement (par exemple le blocage des lames), il est nécessaire d'éteindre l'appareil, par l'intermédiaire de l'interrupteur, DE DÉBRANCHER LA PRISE D'ALIMENTATION ÉLECTRIQUE ET DE CONTACTER UN TECHNICIEN QUALIFIÉ. IL NE FAUT JAMAIS INTER-

VENIR SUR L'APPAREIL QUAND IL SE TROUVE SOUS TENSION, EN RAISON DU RISQUE DE VOIR LE MOTEUR REPARTIR À L'IMPROVISTE. En cas de surchauffe de l'appareil provoqué par un blocage du moteur, il est nécessaire d'attendre que celui-ci se soit refroidi.

### MICRO-INTERRUPTEUR ARRÊT MOTEUR

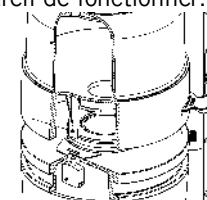
Le système de protection contre le contact accidentel avec les parties rotatives du système de mouture se constitue d'un micro-interrupteur, se trouvant sous la carrosserie de l'appareil, qui coupe l'alimentation électrique du moteur.

Le bouton de commande de ce dispositif est actionné par une lamelle se trouvant sur la trémie; si l'on enlève la trémie ou bien s'il n'est pas bien installée, le micro-interrupteur qui n'est pas actionné empêche l'appareil de fonctionner.

TRÉMIE

LANGUETTE

MICRO-INTERRUPTEUR



Pour installer correctement le récipient à café, il faudra le fixer à la carrosserie avec le goujons.

L'utilisation de cet appareil électrique doit s'effectuer conformément aux normes de sécurité en vigueur:

- DURANT LE FONCTIONNEMENT DE L'APPAREIL, FAIRE ATTENTION AUX PARTIES MÉCANIQUES EN MOUVEMENT AU NIVEAU DU SYSTÈME DE MOUTURE ET DE DISTRIBUTION DU CAFÉ MOULU. AVANT DE RETIRER LE RÉCIPIENT A CAFÉ DU SYSTÈME DE MOUTURE, COUPER L'ALIMENTATION ÉLECTRIQUE. DANS LE CAS OU UN QUELCONQUE OBJET SERAIT PRÉSENT DANS LE SYSTÈME DE MOUTURE OU DANS LE RÉCIPIENT A CAFÉ, NE PAS LE RETIRER SANS AVOIR PRÉALABLEMENT DÉBRANCHE LA PRISE D'ALIMENTATION ÉLECTRIQUE.
- Attention: après l'arrêt de l'appareil, les lames de mouture continuent de tourner pendant quelques secondes.

- L'UTILISATEUR N'EST EN AUCUN CAS AUTORISÉ À DÉMONTER VIS OU AUTRES PARTIES FIXÉES À L'AIDE DE VIS OU À MODIFIER LE CIRCUIT ÉLECTRIQUE.
- En cas de fonctionnement anormal ou de panne, s'adresser à un technicien qualifié et ne pas essayer de réparer l'appareil.
- AVANT D'EFFECTUER TOUTE INTERVENTION SUR L'APPAREIL - DE NETTOYAGE ET/OU D'ENTRETIEN - DÉBRANCHER LA PRISE D'ALIMENTATION ÉLECTRIQUE. LA MISE HORS TENSION DE L'APPAREIL PAR L'INTERMÉDIAIRE DE L'INTERRUPTEUR NE DONNE PAS LES MÊMES GARANTIES DE SÉCURITÉ.
- N'effectuer aucune intervention non prévue sur l'appareil.
- Lorsque l'appareil reste sans surveillance, il est indispensable de couper l'alimentation à l'aide de l'inter-

## 11. Recommandations de sécurité

- rupteur général (par exemple durant la nuit, les pauses, les jours de fermeture ou pendant les périodes de vacances).
- N'introduire aucun liquide - de quelque type que ce soit - à l'intérieur de l'appareil, et n'utiliser non plus aucun liquide sur les parties externes de l'appareil.
- Ne jamais introduire de café moulu dans le récipient prévu pour contenir le café en grains.
- NE PAS TIRER LE FIL D'ALIMENTATION ÉLECTRIQUE POUR DÉBRANCHER L'APPAREIL.
- Ne pas toucher l'appareil avec les mains ou les pieds mouillés ou humides.
- Ne pas utiliser l'appareil pieds nus.

Le non-respect des instructions ci-dessus décharge le fabricant de toute responsabilité en cas de dommages matériels et/ou physiques.



## 12. Bruit

### **Pays CEE:**

L'émission sonore maximum de nos appareils (en termes de puissance sonore), équivaut à 81 dB(A).

Le niveau équivalent d'exposition sonore journalière pour un opérateur, exclusivement liée à un fonctionnement limite de l'appareil de 240 minutes pendant huit heures, est équivalent à 78 dB(A), conformément aux Directives Euro-

péennes 86/188/EEC et 2003/10/EC. L'utilisation de l'appareil ne nécessite donc aucune précaution contre les risques dérivant de l'exposition au bruit dans les lieux de travail (articles 3÷8 de la Directive Européenne 2003/10/EC).

### **USA et Canada:**

Le niveau sonore de nos appareils s'inscrit au sein des limites prescrites par le

règlement fédéral des États-unis 29 CFR 1910.95 ('*Occupational Health and Environment Control - Occupational noise exposure*'), pendant huit heures journalières continues (par référence à l'exposition sonore exclusivement liée au fonctionnement de l'appareil).

Ce niveau sonore a été déterminé sur des appareils identiques neufs.

## 13. Entretien

Il est indispensable de contrôler régulièrement l'état du fil et de la prise d'alimentation de l'appareil.

DANS LE CAS OU LE FIL OU LA PRISE D'ALIMENTATION SERAIT ENDOMMAGÉ, DEMANDER L'INTERVENTION D'UN TECHNICIEN QUALIFIÉ POUR LE/LA CHANGER, CELA AFIN DE PRÉVENIR TOUS LES RISQUES. LES APPAREILS MARQUES DU LABEL

**CE** NÉCESSITENT, AFIN D'OUVRIR LA PLAQUE SITUÉE SOUS L'APPAREIL (AFIN D'INTERVENIR SUR LE FIL D'ALIMENTATION) L'UTILISATION D'UN OUTIL SPÉCIAL.

Il est recommandé de n'utiliser que des pièces détachées d'origine.

Pour assurer le bon fonctionnement de l'appareil, il est indispensable de faire appel à un technicien qualifié pour

procéder à l'entretien et au contrôle minutieux des parties sujettes à usure.

Il est en outre nécessaire de vérifier régulièrement le degré d'usure des lames. Le bon état de celles-ci est la garantie d'une mouture de bonne qualité et d'un bon rendement, et permet également de limiter la surchauffe de l'appareil.



COUPER L'ALIMENTATION ÉLECTRIQUE DE L'APPAREIL EN DÉBRANCHANT LA PRISE, AVANT DE COMMENCER LE NETTOYAGE. L'APPAREIL NE DOIT PAS ÊTRE NETTOYÉ EN PROJETANT DE L'EAU SUR CELUI-CI.

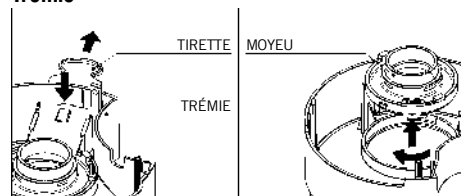
Ne pas installer l'appareil dans des locaux dont le nettoyage s'effectue à l'aide d'un jet d'eau.

IL EST NÉCESSAIRE DE PROCÉDER RÉGULIÈREMENT AU NETTOYAGE DE L'APPAREIL EN FAISANT APPEL EXCLUSIVEMENT POUR CELA A UNE PERSONNE QUALIFIÉE.

Pour le nettoyage, utiliser chiffons ou pinceaux parfaitement propres et désinfectés.

Ne pas utiliser de produits abrasifs pour ne pas rendre opaque les parties polies de l'appareil.

#### Trémie



Après l'avoir démonté laver la trémie et

son collier à l'eau et au savon neutre, bien les rincer à l'eau tiède et les essuyer parfaitement.

Pour nettoyer les surfaces intérieures il est nécessaire de démonter la trémie : enlever la tirette en pressant vers le bas le cliquet, après enlever le moyeu en le tournant dans le sens des aiguilles d'une montre et le soulever (voir figure).

Il est recommandé d'effectuer régulièrement le nettoyage de la trémie.

Pour remonter complètement la trémie, effectuer les opérations précédentes dans l'ordre inverse.

Après le nettoyage, la trémie devra être correctement remis en place sur l'appareil en le fixant avec le goujons prévu à cet effet.

#### Système de mouture

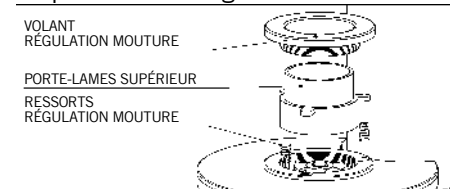
Comme expliqué dans le paragraphe "RÉGLAGE DE LA MOUTURE" enlever la trémie et la manette régulation mouture.

Démonter le volant de réglage en la dévissant dans le sens des aiguilles d'une montre. Après avoir retiré le porte-lames supérieur, nettoyer soigneusement les lames, les rainures et le système de mouture en utilisant pour cela un

## 14. Nettoyage de l'appareil

pinceau et un chiffon sec. Pour le filet de l'appareil on conseille d'utiliser une petite brosse avec fils en laiton.

On conseille de vérifier le nettoyage des filets du volant de régulation de mouture et de l'appareil en vissant le volant dans les sens contraire des aiguilles d'une montre jusqu'à la fin. Dans le cas où le vissage ne soit pas facile il faut répéter le nettoyage autrement il y aura le risque d'endommager les filets.

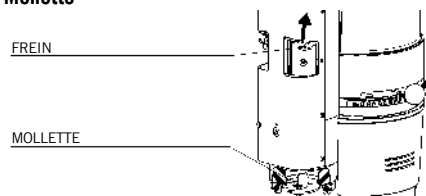


Vérifier que les ressorts de régulation sont à leur place. Après avoir remis en place le porte-lames supérieur dans son logement, graisser avec de la graisse pour le contact alimentaire les filets du volant de régulation mouture et son plan dessous qui est en contact avec le porte-lames supérieur.

Remonter le volant de réglage en la vissant dans le sens inverse des aiguilles, remettre la manette et la fixer

sur le volant par les vis correspondants.  
Après avoir adéquatement remis en place la trémie, procéder ensuite au réglage de la finesse de mouture.

#### Mollette



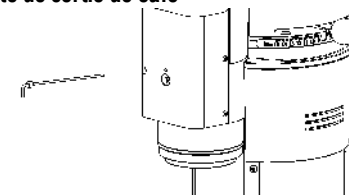
Le nettoyage de la mollette doit être effectué exclusivement par un personnel technique qualifié qui, auparavant, **devra débrancher l'appareil du secteur** et procéder comme suit:

- Retirez le fenêtre de tasseur en desserrer les vis;
- Appuyez et maintenez vers le haut le

frein pour éviter ce que l'arbre tourne;

- Avec l'index et le pouce, exercez une pression contre les bords plats de la mollette. Tournez la mollette dans le sens des aiguilles d'une montre pour l'enlever;
- Une fois que la mollette est enlevée, nettoyez la bague à baïonnette avec une brosse et essuyez le café moulu restant dans cette zone;
- Insérez la brosse de nettoyage dans la zone de collecte du café au-dessus de la mollette et époussetez pour éliminer le café moulu.
- Remettez la mollette en place en la faisant tourner dans le sens inverse des aiguilles d'une montre.
- Avant de rebrancher l'appareil au secteur, remonter le fenêtre de tasseur.

#### Descente de sortie de café



Le nettoyage de la descente de sortie de café doit être effectuée par l'insertion (délicatement) l'outil 5.372.5 dans l'orifice indiqué (attention lors du déplacement de l'outil).

Produit par:

**Mazzer Luigi srl**

Via Moglianese, 113 – 30030 Gardigiano di Scorzè (Venezia) - Italy

E-mail: mazzer@mazzer.com - <http://www.mazzer.com>

Tous droits réservés. Il est interdit de reproduire, d'adapter ou de traduire le présent document sans notre autorisation écrite préalable.

Première Édition: 2013  
Dernière Révision: VS03 02/2015

# vulcano swift

Bedienungsanleitung

## Inhaltsverzeichnis

1. Vorwort	Seite 2
2. Abmessungen	Seite 2
3. Verpackung	Seite 2
4. Entsorgung	Seite 2
5. Allgemeine Beschreibung	Seite 3
6. Verwendung	Seite 4
7. Installation und elektrischer Anschluß	Seite 4
8. Betrieb des Geräts	Seite 5
9. Bedienungshinweise	Seite 8
10. Schutzvorrichtungen	Seite 8
11. Sicherheitshinweise	Seite 9
12. Geräusch	Seite 10
13. Wartung	Seite 10
14. Reinigung des Geräts	Seite 11



**la marzocco**

handmade in florence

La Marzocco S.r.l.

Via La Torre 14/H  
Località La Torre  
50038 Scarperia e San Piero  
(Firenze) – ITALIA

[www.lamarzocco.com](http://www.lamarzocco.com)  
[info@lamarzocco.com](mailto:info@lamarzocco.com)

T: +39 055 849 191  
F: +39 055 849 1990

DE

## 1. Vorwort

Die vorliegende Anleitung in all ihren Teilen aufmerksam durchlesen, bevor das Gerät in Betrieb genommen wird, da es wichtige Hinweise über die Sicher-

heit, Bedienung und Wartung des Geräts aufweist.

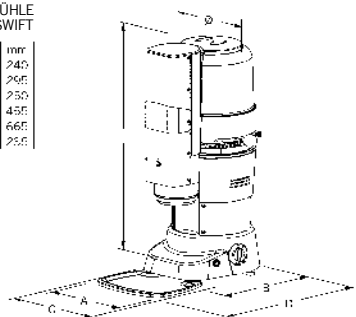
Die vorliegende Anleitung sorgsam aufbewahren.

Der Hersteller behält sich das Recht vor, Änderungen am Produkt und an der Anleitung vorzunehmen.

## 2. Abmessungen

DOSIERKAFKEEMÜHLE  
VULCANO SWIFT

mm	
A	240
B	290
C	250
D	450
E	660
F	250



## 3. Verpackung

Nachdem das Gerät ausgepackt wurde, sofort nachprüfen, ob es unversehrt oder beschädigt ist. Im Zweifelsfalle nicht benutzen und sich an das Fachpersonal

wenden.

Die Verpackungsteile müssen außerhalb der Reichweite von Kindern sein, da diese eine Gefahrenquelle darstellen

können.

Verpackung bis zum Ablauf der Garantie aufbewahren.

## 4. Entsorgung

Die Verpackungsteile nicht in die Umwelt freisetzen, sondern sich an die geltenden Gesetze halten.

Falls das Gerät nicht mehr benutzt wird, empfiehlt es sich, den Netzstecker abzutrennen, um es unbrauchbar zu

machen: Kabel an der Ausgangsstelle des Geräts abschneiden.

Zur Entsorgung der Bauteile des Gerät

sich an hierfür spezialisierte Gesellschaften wenden.

**INFORMATION FÜR DIE IN DER EUROPÄISCHEN GEMEINSCHAFT ANSÄSSIGEN BENUTZER**

Gemäß Art. 26 der Gesetzesverordnung vom 14. März 2014, Nr. 49: "Umsetzung der Richtlinie 2012/19/EU

hinsichtlich Elektro- und Elektronikgeräte-Abfall (WEEE)" .

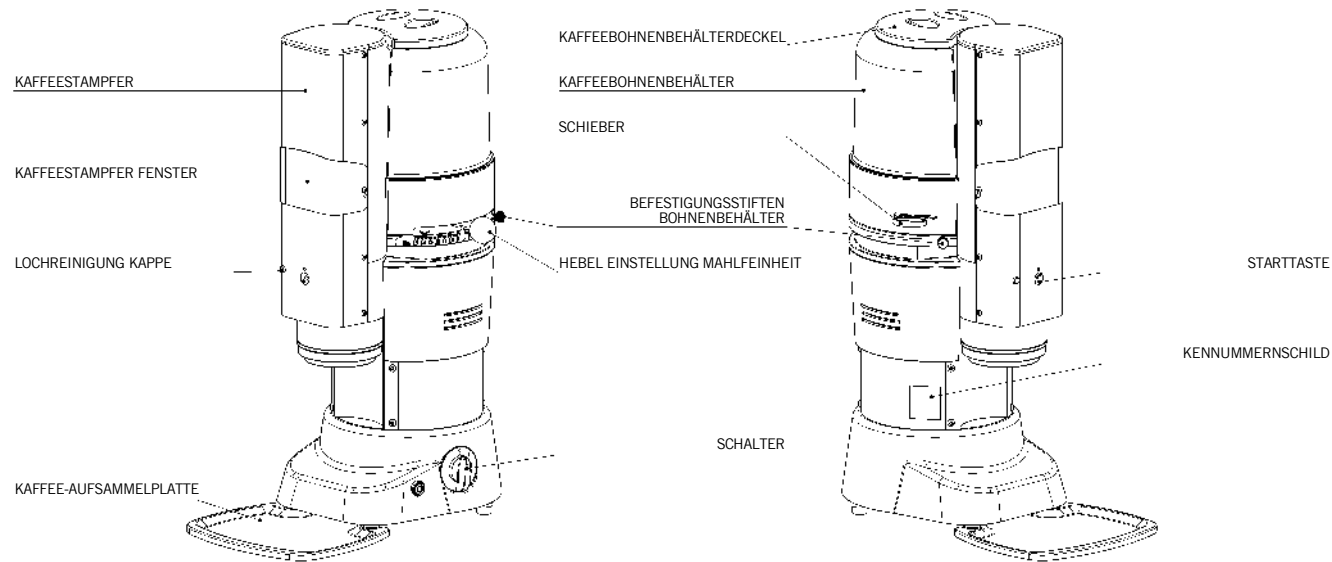


Das hier abgebildete und auf dem Gerät oder seiner Verpackung angebrachte Symbol des durchgestrichenen Abfallcontainers weist darauf hin, dass das Produkt

(EEA) am Ende seiner Lebensdauer getrennt von anderem Abfall gesammelt werden muss, dies bei Verbot der gemeinsamen Entsorgung mit ungetrenntem Siedlungsabfall.

Weitere Informationen kontaktieren in *La Marzocco s.r.l.*

## 5. Allgemeine Beschreibung



## 6. Verwendung

Dieses Gerät wurde AUSSCHLIESSLICH für das Mahlen von Kaffeebohnen entwickelt. Eine Zweckentfremdung ist unangebracht und somit gefährlich. Der Hersteller übernimmt keine Haftung für eventuelle Schäden, die auf eine Zweckentfremdung oder eine falsche

Bedienung zurückzuführen sind. Das Gerät nicht für das Mahlen anderer Nahrungsmittelsorten verwenden. DIE VON UNS HERGESTELLTEN DOSIERKAFFEEMÜHLEN SIND GERÄTE, DIE NUR VON QUALIFIZIERTEM PERSONAL VERWENDET WERDEN

DÜRFEN UND SIND NICHT DEM GEBRAUCH IM HAUSHALT BESTIMMT. Der Anwender muss ein Erwachsener sein. Die Verwendung seitens Kinder oder unfähiger Personen ist zu verhindern.

## 7. Installation und elektrischer Anschluss

Die Installation muß den geltenden Sicherheitsvorschriften entsprechend vom technischen Fachpersonal vorgenommen werden. Eine falsche Installation kann Personen-, Tier- oder Sachschäden zur Folge haben, für die der Hersteller nicht haftbar gemacht werden kann.

- Das Gerät muß auf eine stabile und flache Oberfläche gestellt werden (der Abstand zum Fußboden sollte 80 bis 100 cm betragen).
- Vor dem Einfügen des Netzsteckers überprüfen, ob die Spannungs- und Frequenzwerte des Stromnetzes denen auf dem Geräteetikett, das die technischen Daten angibt, entsprechen.
- Die Steckdose muß über einen effizienten Erdungsanschluß verfügen. Daher ist es wichtig nachzuprüfen, ob die

Erdungsanlage effizient ist und den derzeitigen Sicherheitsrichtlinien entspricht. Im Zweifelsfalle ist durch das Fachpersonal eine genaue Anlagenkontrolle vorzunehmen.

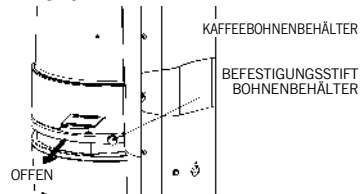
DIE ERDUNG DES GERÄTS IST BINDEND.

- Bei einer Nichtbeachtung dieser Rechtsvorschrift übernimmt der Hersteller keine Haftung.
- Es ist wichtig nachzuprüfen, ob die Netzspannung der Anlage der Geräte-Betriebsspannung, die auf dem Etikett mit den technischen Daten angegeben ist, entspricht, und ob die Steckdose vor Überstrom geschützt ist.
- Keine Verlängerungskabel, elektrische Adapter für Mehrfachsteckdosen oder fliegende Verbindungen verwenden.

- In den EG-Ländern sehen die geltenden Rechtsvorschriften für eine korrekte Installation des Geräts eine externe Äquipotentialklemme ⚡ auf der Außenseite der Geräte-Bodenplatte vor, die an einem Äquipotentialknoten angeschlossen sein muß.
- Das Gerät eignet sich ausschließlich für den Innengebrauch und darf nicht im Freien verwendet werden.
- Vor der Erstinstallation das Gerät gründlich reinigen; im Besonderen den Anweisungen der nachfolgenden Kapitel 9 und 14 folgen.
- Das Gerät nicht in der Nähe eines Wasserspenders oder ähnlichen Gegenständen aufstellen, die auch versehentlich einen Wasserstrahl auf das Gerät abgeben könnten.

## 8. Betrieb des Geräts

### VORBEREITUNG

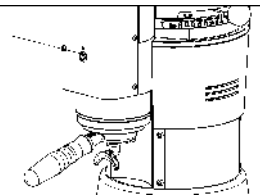


Bitte nachprüfen, ob die Bohnenbehälter auf dem Gerät richtig sitzt und mit dem Stift an der Abdeckung befestigt ist.

Schieber schließen und Bohnenbehälter mit Kaffeebohnen füllen. Schieber so weit öffnen, daß die Kaffeebohnen in das Mahlsystem fließen.

### EIN- UND AUSSCHALTVORGANG

STARTTASTE



Um dem Gerät Spannung zu geben, den Drehknopf des Schalter auf die Stellung I drehen.

Der Filterhalter sitzt direkt an der gerät auf (**man kann ihn mit nur wenig Kraftaufwand einrasten lassen; sollte die Mühle auf ihrer Auflage rutschen, bedeutet das, dass Sie dafür Zuviel Kraft benutzen**).

Sobald der Filterhalter eingerastet ist, starten das Mahlen auf diese Weise: drücken den Starttaste zum Mahlen, Dosieren und Stampfen einer Doppelportion.

Die rot Anzeiger Lampe über den Starttaste leuchten auf, wenn die gerät mahlt und anpresst.

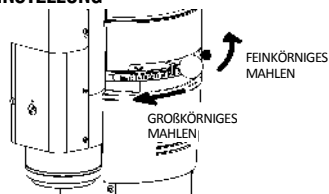
Wenn das Volumen an gemahlenem Kaffee im Filterhalter den eingestellten wert erreicht, schaltet sich der Motor des Mahlwerks aus. Der Motor des Kaffeestampfer weiterhin für einige Sekunden laufen, zu vervollständigen die Kaffee Stampfen.

Sobald das rote Licht nicht mehr leuchtet, können Sie den Filterhalter von der gerät entfernen und ihn in die Espresso-maschine einführen.

Falls beim Drücken der Starttaste die rote Leuchtanzeige blinkt, liegt mindestens eine der nachfolgend beschriebenen Situationen vor:

- Sie haben versucht, den Mahlvorgangs mit einem vollen Filterhalter zu starten.
- Der Zeitsparer ist wegen die leeren Kaffeebohnenbehälters, die Schieber geschlossen ist oder die verstopften Rutsche des Kaffeebohnenbehälters abgelaufen.
- Es gibt keine Filterhalter in das Gerät eingerastet.

## MAHLEINSTELLUNG



Um den Kaffee mehr oder weniger fein zu mahlen, muß durch den dazu bestimmten Hebel die Einstellung betätigt werden. Zur Erzielung von grobkörnig gemahltem Kaffee ist die Hebel im Uhrzeigersinn zu drehen; für feiner gemahltem Kaffee im Gegenuhrzeigersinn.

Die Hebel bleibt in Position, ohne festgeklemmt werden zu müssen. Die Einstellung erfolgt bei eingeschaltetem Motor und möglichst ohne Kaffee zwischen den Mahlscheiben. Kleine Kaffeemengen mahlen, um die optimale Kaffeekörnigkeit herauszufinden.

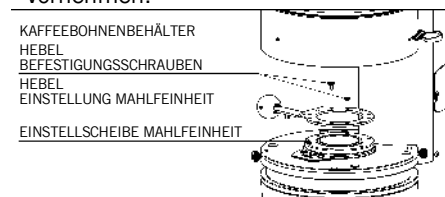
Bevor man die Feinheit der Mahlung prüft, sollten einige Kaffeeportionen gemahlen werden, damit sich die Leitung zwischen der Mahlzone und der Austrittsöffnung des gemahlten Kaffees füllt.

Dieser Vorgang muss bei jeder Änderung der Mahlung durchgeführt werden, damit der zuvor gemahlene Kaffee aus der Leitung austritt. Die Änderung des Feinheitsgrades des gemahlten Kaffees könnte das Gewicht der Dosierungen verändern. Deshalb stellt man die Menge erst nach der Einstellung der Mahlung ein.

Falls man auf Grund des beschränkten Aktionskreises des Hebels, den gewünschten Feinheitsgrad nicht erhält, wie folgt vorgehen:

- den Schieber schließen und das Gerät ausschalten;
- die Haltestifte der Bohnenbehälter ausdrehen und dieselbe entfernen;
- die Schrauben, mit denen der Hebel am Ring befestigt ist, ausdrehen und den Hebel entfernen;
- den Hebel wieder anbringen, darauf achten, dass die Bohrungen für die Befestigung mit den Ringbohrungen übereinstimmen, sie erlauben die bestmögliche Mahleinstellung.
- Mit den entsprechenden Schrauben den Hebel wieder am Ring befestigen.

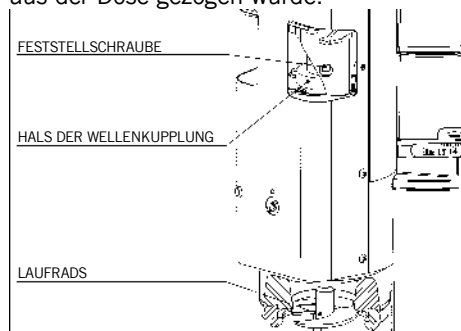
- Die Bohnenbehälter wieder anbringen,
- erst wenn die Bohnenbehälter durch Eindrehen der entsprechenden Stifte wieder am Gehäuse befestigt ist, den Schieber öffnen und die Mahleinstellung vornehmen.



Bedeutet ein zu schnelles Ausfließen aus der Espressomaschine, daß der Kaffee zu grob gemahlen ist. Falls umgekehrt dies zu langsam erfolgt, ist der Kaffee zu fein gemahlen. Dabei müssen jedoch unzählige Bedingungen in Betracht gezogen werden, die den korrekten Kaffeeausfluß beeinflussen können wie zum Beispiel das Dosisgewicht, die Pressung, die Einstellung der Espressomaschine sowie die Filterreinigung.

### EINSTELLUNG DER DOSIS GEMAHLENE KAFFEES

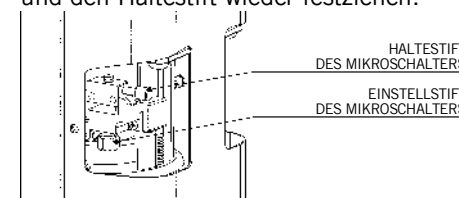
Die Einstellung der Dosis darf nur von qualifiziertem Fachpersonal durchgeführt werden nur, nachdem die Stromzufuhr zum gerät unterbrochen, d.h. der Stecker aus der Dose gezogen wurde.



Man kann die Dosiermenge durch Erhöhen oder Verringern der Höhe des Lauf-  
rads variieren; gehen Sie wie folgt:

- Die Kaffeestampfer Fenster durch Ausschrauben der Schrauben abnehmen;
- Löst man die Feststellschraube im Hals der Wellenkupplung der Pulverpresse.
- Man hält die Wellenkupplung der Pulverpresse in ihrer Position fest und dreht das Laufrad in die gewünschte Richtung. Um die Dosiermenge zu erhöhen, dreht man das Laufrad, von unten gesehen, im Uhrzeigersinn. Die Feststellschraube wird wieder angezogen. Anmerkung: Eine Drehung um 360° entspricht ungefähr 1 Gramm Kaffee;
- Man vergewissere sich, dass die Feststellschraube gegen die flache Seite der Welle der Pulverpresse zeigt. Die Feststellschraube im Hals der Wellenkupplung der Pulverpresse wird wieder angezogen.

Kleine Regulierungen der Menge sind auch über den Mikroschalter des Endanschlags möglich. Den Haltestift des Mikroschalters lockern. Mit dem Einstellstift die Höhe des Mikroschalters ändern bis man die beste Position gefunden hat und den Haltestift wieder festziehen.



Vor dem erneuten Stromanschluss des Geräts unbedingt den Kaffeestampfer Fenster montieren.

## 9. Bedienungshinweise

- Geräte niemals eingeschaltet lassen, wenn sich in der Bohnenbehälter kein Kaffee befindet.
- Bei der Füllung der Kaffeeglocke darauf achten, dass keine Fremdkörper hineingeraten. Mit sauberen Händen vorgehen.
- Nach jeder Einfüllung und während des normalen Gebrauchs des Gerätes immer den Deckel der Glocke auflegen.

### • ERSTINSTALLATION

Für den ordnungsgemäßen Betrieb der Mahlwerke bei der Erstinstallation und bei jedem Wechsel des Mahlwerks, einige Portionen Kaffee mahlen. Diese ersten gemahlten Portionen nicht für die Kaffeeausgabe verwenden. In der Elektronische Dosierkaffeemühlen, für einen optimalen Gerätebetrieb bei Erstinstallation und jeder Reinigung der Mahlleitung die Innenfläche des Trichters nach der Mahlung einiger Kaffeeportionen mit einem trockenen Pinsel reinigen.

### • MOTORBETRIEBSBEREICH

FÜR DIE VERSIONEN MIT EINPHASENMOTOR DEN BETRIEBSKREISLAUF BEACHTEN. DER BETRIEBSKREISLAUF WIRD IN DEM LEISTUNGSSCHILD ANGEGEBEN, DER AUF DER SEITE DES GERÄTES LIEGT.

Z.B: die Angabe 35s ON / 45s OFF bedeutet einen erlaubten Betriebskreislauf von 35 Sekunden eingeschaltet (On) und 45 Sekunden ausgeschaltet (Off).

## 10. Schutzvorrichtungen

### THERMOSCHUTZ

Der Gerätemotor ist vor Überhitzung, das eine Folge von Überstrom ist, durch einen Thermoschutz geschützt, der in die Stromversorgung des Motors eingreift und diese unterbricht. Falls sich der Thermoschutz infolge von Funktionsstörungen, wie zum Beispiel eine Blockierung der Mahlscheiben, einschaltet, ist das Gerät durch die Schalterbetätigung auszuschalten, den Netzstecker zu ziehen und sich an das Fach-

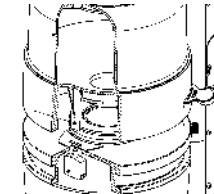
personal zu wenden. NIEMALS IN DAS, UNTER SPANNUNG, STEHENDE GERÄT EINGREIFEN. AUF KEINEN FALL ARBEITEN AM GERÄT VORNEHMEN, WENN DIESES AN DAS STROMNETZ GESCHLOSSEN IST, DA DER MOTOR UNVORHERGESEHEN EINGESCHALTET WERDEN KÖNNTE. Bei Überhitzung des Geräts infolge der Blockierung des Motors, es vor dem Eingriff abkühlen lassen.

### MIKROSCHALTER ZUM ANHALTEN DES MOTORS

KAFFEEBOHNENBEHÄLTER

LAMELLE

MIKROSCHALTER



Das Schutzsystem gegen ungewollten Kontakt mit den drehenden Teilen der Mahleinheit besteht aus einem Mikroschalter, der sich unter der Gehäuseabdeckung befindet und die Stromversor-

gung des Motors unterbricht.  
Der Steuerschalter dieser Vorrichtung wird durch eine Lamelle am Hals des Bohnenbehälters eingeschaltet; sollte

der Bohnenbehälter abgenommen oder nicht richtig in seinem Sitz angeordnet werden, unterbindet der nicht aktiv geschaltete Mikroschalter den Gerätebe-

trieb. Für eine korrekte Anordnung des Bohnenbehälters muss dieser mit dem Stiften des Stutzens an der Abdeckung befestigt werden.

## 11. Sicherheitshinweise

Die Benutzung dieses elektrischen Geräts muß den geltenden Sicherheitsnormen untergeordnet sein.

- WÄHREND DES GERÄTEBETRIEBS AUF DIE BEWEGENDEN MECHANISCHEN TEILE IN DER NÄHE DES MAHLSYSTEMS UND AN DER AUSTRITTSÖFFNUNG DES GEMAHLENEN KAFFEES ACHTEN. VOR DEM ENTFERNEN DER BOHNENBEHÄLTER VOM MAHLSYSTEM IST DIE STROMVERSORGUNG DES GERÄTS ZU UNTERBRECHEN. EVENTUELLE FREMDE OBJEKTE IM MAHLSYSTEM ODER IN DER BOHNENBEHÄLTER NICHT ENTFERNEN, BEVOR DER NETZSTECKER GEZOGEN WURDE.
- Darauf achten, daß nach dem Stop die Mahlscheiben noch in Bewegung sein können.
- DER BEDIENER DARF KEINE

SCHRAUBEN ODER TEILE, DIE DURCH SCHRAUBEN FEST SITZEN, LÖSEN.

- Bei Funktionsstörungen oder Defekten sich an das Fachpersonal richten und selbst keine Reparaturarbeiten vornehmen.
- VOR EINEM EINGRIFF, DER REINIGUNG UND/ODER WARTUNG DES GERÄTS IST DIE STROMVERSORGUNG DES GERÄTS AUSZUSCHALTEN INDEM DER NETZSTECKER GEZOGEN WIRD. DAS ABSCHALTEN DES GERÄTS MIT DEM HAUPTSCHALTERS GEWÄHRLEISTET NICHT DIESELBEN SICHERHEITSBEDINGUNGEN.
- Das Gerät nicht zweckentfremden.
- Falls das Gerät unbeaufsichtigt bleibt, ist durch die Betätigung des Hauptschalters die Stromversorgung des

Geräts auszuschalten (zum Beispiel nachts, in den Pausen, der Wochenendpause oder in den Ferien).

- Keine Flüssigkeiten irgendwelcher Art mit den Innen- oder Außenteilen des Geräts in Berührung bringen.
- Absolut keinen gemahlene Kaffee in die Kaffeebohnenbehälter einführen.
- STECKER NICHT AN DER KABEL AUS DER STECKDOSE ZIEHEN, UM DIE STROMVERSORGUNG DES GERÄTS AUSZUSCHALTEN.
- Das Gerät nicht mit feuchten oder nassen Händen oder Füßen anfassen.
- Das Gerät nicht mit nackten Füßen bedienen.

Die Nichtbeachtung dieser Verhaltensregeln enthebt den Hersteller von jeglicher Verantwortung für Personen- oder Sachschäden.

## 12. Geräusch

### EWG-Länder:

Der maximale Geräuschpegel unserer Geräte (womit die Schalleistung gemeint ist) liegt bei 81 dB(A).

Der entsprechende Lautstärkepegel dem der Bediener täglich ausgesetzt sein darf und der sich ausschließlich auf den maximalen Gerätebetrieb von 240 Minuten im Laufe von acht Stunden bezieht, beträgt 78 dB(A) und entspricht den Europäischen Richtlinien

86/188/EWG und 2003/10/EWG. Zum Gebrauch des Geräts sind daher keinerlei Maßnahmen gegen das Risiko nötig, das durch die Geräuschbelastung am Arbeitsplatz entstehen kann (Art. 3÷8 der Europäischen Richtlinie 2003/10/EWG).

### USA und Kanada:

Der Schallpegel unserer Geräte liegt unterhalb des durch das Reglement der

Bundesstaaten Amerikas 29 CFR 1910.95 ('*Occupational Health and Environment Control - Occupational noise exposure*') für acht nachfolgende Stunden vorgeschriebenen Grenzwertes (bezieht sich ausschließlich auf die Geräuschbelastung durch den Gerätebetrieb).

Dieser Pegel wurde auf identisch neuen Geräten ermittelt.

## 13. Wartung

Auch der Zustand des Kabels und des Steckers ist regelmäßig zu überprüfen. BEI BESCHÄDIGTEM KABEL ODER NETZSTECKER IST FÜR DIE AUSWECHSLUNG DESSELBEN DAS FACHPERSONAL ZU RUFEN, SO UM JEGLICHE GEFAHR ZU VERHINDERN. ZUR ÖFFNUNG DER BODENPLATTE IST IN DEN GERÄTEN MIT DER

MARKIERUNG **CE**, UM ZUGRIFF ZU DEM KABEL ZU ERHALTEN, DIE BENUTZUNG VON SONDERWERKZEUG ERFORDERLICH.

Es empfiehlt sich, nur Originalersatzteile zu verwenden.

Zur Gewährleistung der Geräteeffizienz muß eine regelmäßige Wartung sowie genaue Kontrollen über den Zustand der

verschleißanfälligen Komponenten vom Fachpersonal durchgeführt werden. Ferner muß regelmäßig der Verschleiß der Mahlscheiben überprüft werden. Ein sehr guter Zustand der Mahlscheiben garantiert eine hochwertige Qualität des Mahlvorgangs mit größerer Produktivität und der Begrenzung der Überhitzungsgefahr.

VOR DEM BEGINN DER REINIGUNG IST DIE STROMVERSORGUNG DES GERÄTS AUSZUSCHALTEN INDEM DER NETZSTECKER GEZOGEN WIRD. DAS GERÄT NICHT MIT EINEM WASSERSTRAHL SÄUBERN.

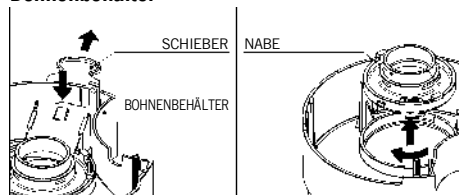
Das Gerät nicht in Räumen aufstellen, in denen eine Wasserstrahlreinigung vorgesehen ist.

DIE REGELMÄSSIGE GERÄTEREINIGUNG DARF AUSSCHLIESSLICH VOM FACHPERSONAL VORGENOMMEN WERDEN.

Zum Reinigen des Geräts sind vollkommen saubere und hygienische Tücher oder Pinsel zu verwenden.

Keine Schleifmittel verwenden, damit der Glanz der Teile intakt bleibt.

#### Bohnenbehälter



Den Bohnenbehälter erst nach der Entfernung vom Gerät mit Wasser und neutraler Seife waschen, mit warmem

Wasser spülen und gut trocknen.

Zum Reinigen der Innenflächen muss man die Bohnenbehälter ausbauen: durch Einwirken auf den betreffenden Befestigungszahn den Schieber herausziehen, anschließend durch Drehen und Anheben im Uhrzeigersinn die Nabe entfernen (siehe Bild).

Es empfiehlt sich, den Bohnenbehälter regelmäßig zu waschen.

Für den vollständigen Zusammenbau der Bohnenbehälter, die vorherigen Anweisungen in umgekehrter Reihenfolge ausführen.

Nach der Reinigung muss der Bohnenbehälter wieder korrekt am Gerät angeordnet werden, indem er mit dem Stift befestigt wird.

#### Mahlsystem

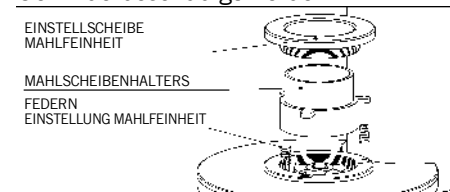
Wie im Abschnitt "MAHLEINSTELLUNG" erklärt, die Bohnenbehälter und den Hebel der Mahleinstellung entfernen.

Die Einstellscheibe durch Umdrehungen im Uhrzeigersinn lösen. Nach der Abnahme des oberen Mahlscheibenhalters sind die Mahlscheiben, Gewinde und das ganze Mahlsystem mit einem Pinsel und einem trockenen Tuch sorgfältig zu

## 14. Reinigung des geräts

reinigen. Für das Gewinde des Gerätes kann man eine Drahtbürste benutzen.

Die Sauberkeit der Gewinde des Einstellrings und des Gerätes sind zu prüfen, indem man den Ring bis zum Endanschlag eindreht ohne den oberen Mühlenhalter einzusetzen. Wenn sich der Ring nur schwer drehen lässt, muss die Reinigung wiederholt werden. Andernfalls läuft man Gefahr, dass die Gewinde beschädigt werden.



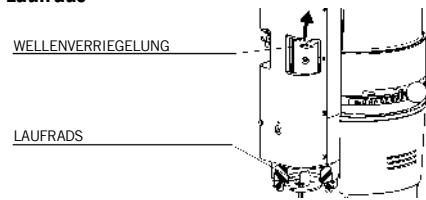
Prüfen, dass sich die Einstellfedern der Mahlung in ihrem Sitz befinden.

Nachdem der obere Mahlscheibenhalter wieder in seine Stellung zurückgebracht wurde, das Gewinde des Einstellrings und die Auflagefläche, die mit dem oberen Mühlenhalter in Berührung kommt, mit lebensmittelgeeignetem Schmierfett einfetten.

Durch Drehen im Gegenuhrzeigersinn den Einstellring wieder anschrauben, den

Hebel wieder anbringen und mit den entsprechenden Schrauben befestigen. Nach dem Anbringen und Befestigen der Bohnenbehälter, die Einstellung des Feinheitsgrades vornehmen.

#### Laufzrads



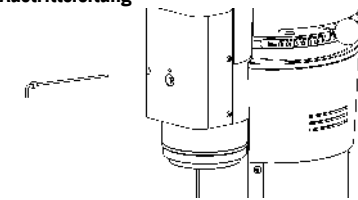
Die Reinigung der Laufzrads darf ausschließlich von technisch qualifiziertem Personal durchgeführt werden. **Dafür ist die Stromversorgung zum Gerät zu unterbrechen** und nach folgender Anleitung vorzugehen:

- Die Kaffeestampfer Fenster durch Aus-

- schrauben der Schrauben abnehmen;
- Die Wellenverriegelung wird gedrückt und festgehalten, damit sich die Welle nicht dreht;
- Mit Ihrem und Zeigefinger pressen Sie gegen die Laufzradflächen. Man dreht es, von unten aus gesehen, im Uhrzeigersinn, um es zu entfernen;
- Nachdem das Laufzrad entfernt wurde, reinigt man mit der Bürste rund um den Bajonettring und wischt lose Mahlreste aus diesem Bereich weg;
- Die Reinigungsbürste wird in den Kaffeesammelbereich oberhalb des Laufzrads eingeführt, um ebenfalls lose Mahlreste wegzuwischen;
- Man reinigt das Laufzrad mit einem weichen, trockenen Tuch;

- Das Laufzrad wird durch Drehen im umgekehrten Uhrzeigersinn wieder montiert.
- Vor dem erneuten Stromanschluss des Geräts unbedingt den Kaffeestampfer Fenster montieren.

#### Kaffee-Austrittsleitung



Die Kaffee-Austrittsleitung muss durch vorsichtiges Einsetzen des Werkzeugs 5.372.5 in die gezeigte Öffnung gereinigt werden, dabei ist besonders auf die Bewegung desselben zu achten.

Produziert von:

**Mazzer Luigi srl**

Via Moglianese, 113 – 30030 Gardigiano di Scorzè (Venezia) - Italy

E-mail: mazzer@mazzer.com - <http://www.mazzer.com>

Alle Rechte vorbehalten. Ohne vorherige schriftliche Genehmigung darf dieses Dokument weder vervielfältigt noch angepasst oder übersetzt werden.

DE

# vulcano swift

manual de instrucciones

## Índice

1. Prólogo	página2
2. Dimensiones	página2
3. Embalaje	página2
4. Eliminación	página2
5. Descripción general	página3
6. Empleo	página4
7. Instalación y conexión eléctrica	página4
8. Funcionamiento del aparato	página5
9. Advertencias de utilización	página8
10. Protecciones	página8
11. Advertencias de seguridad	página9
12. Ruido	página10
13. Mantenición	página10
14. Limpieza del aparato	página11



**la marzocco**

handmade in florence

La Marzocco S.r.l.

Via La Torre 14/H  
Località La Torre  
50038 Scarperia e San Piero  
(Firenze) – ITALIA

[www.lamarzocco.com](http://www.lamarzocco.com)  
[info@lamarzocco.com](mailto:info@lamarzocco.com)

T: +39 055 849 191  
F: +39 055 849 1990

SE

## 1. Prólogo

Antes de utilizar el aparato lea atentamente todos los capítulos del presente manual ya que proporciona indicaciones

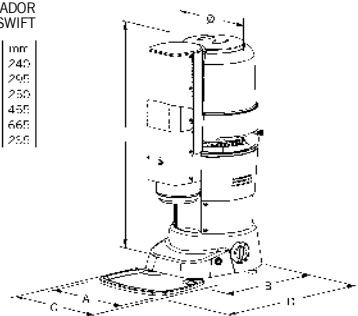
muy importantes acerca de la seguridad, el uso y la manutención del aparato. Guarde cuidadosamente este manual.

El fabricante se reserva el derecho de aportar modificaciones al producto y al manual.

## 2. Dimensiones

MOLINILLO  
DOSIFICADOR  
VULCANO SWIFT

mm	
A	240
R	290
C	230
D	450
E	660
Ø	250



## 3. Embalaje

Una vez haya abierto el embalaje, compruebe con atención que el aparato está en perfecto estado y que no presenta daños de ningún tipo. En caso

de duda no lo utilice y póngase en contacto con personal profesional especializado.

No abandone las partes del embalaje al

alcance de los niños porque son una fuente potencial de peligro.

Conserve el embalaje hasta que la garantía pierda validez.

## 4. Eliminación

No abandone los elementos del embalaje en el medio ambiente y respete las leyes vigentes en materia.

En caso de que decida no volver a

utilizar el aparato, le aconsejamos desenchufar la clavija de alimentación eléctrica y cortar el cable en el punto de salida del aparato para garantizar su

inoperatividad.

Cuando desee eliminar los componentes del aparato diríjase a empresas especializadas.

**INFORMACIÓN PARA LOS USUARIOS RESIDENTES EN LA UNIÓN EUROPEA**

De acuerdo con el art. 26 del Decreto Legislativo 14 Marzo 2014, núm. 49: "Realización de la directiva 2012/19/UE acerca de los residuos de

aparatos eléctricos y electrónicos (RAEE)".

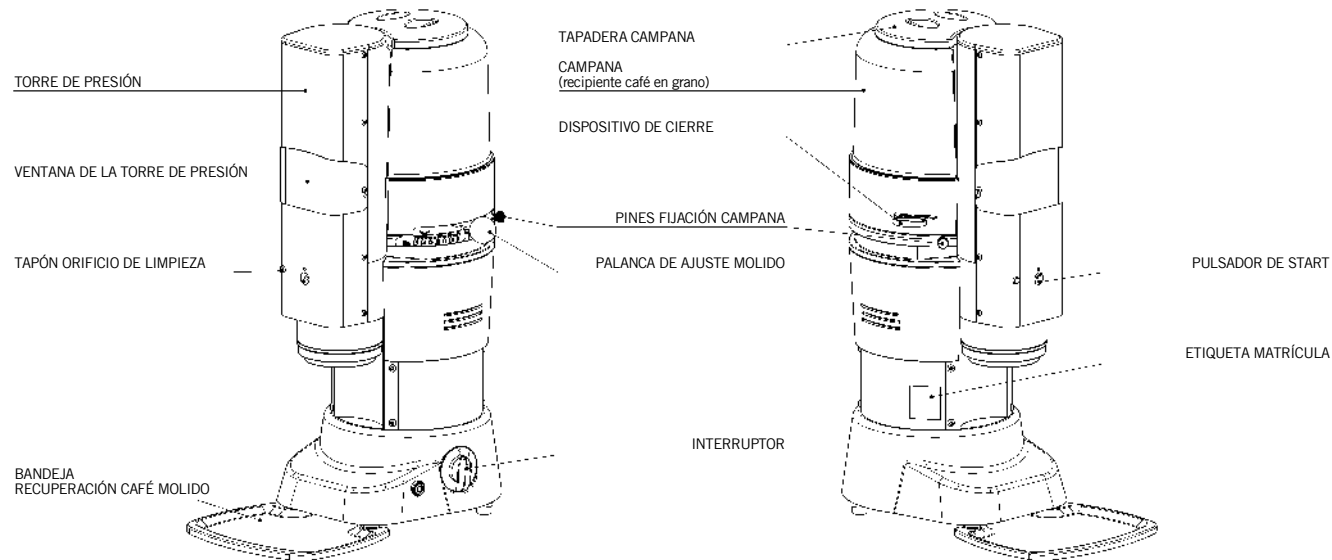


El símbolo del cubo tachado que se muestra a continuación y que se encuentra en el aparato o en la caja indica que el producto (AEE), al final de su vida debe ser reco-

gido de manera separada con respecto a los demás residuos, con prohibición de eliminación entre los residuos urbanos no seleccionados.

Para más información, contactar *La Marzocco s.r.l.*

## 5. Descripción general



## 6. Empleo

Este aparato ha sido fabricado EXCLUSIVAMENTE para moler café en grano. Cualquier otro uso se considera inadecuado y peligroso. El fabricante declina cualquier tipo de responsabilidad por daños provocados por el uso inadecuado o erró-

neo. No utilice el aparato para moler otros tipos de alimentos ni nada más. LOS MOLINILLOS DOSIFICADORES QUE NOSOTROS FABRICAMOS SON APARATOS DESTINADOS A PERSONAL CUALI-

FICADO PARA UNA UTILIZACIÓN EXCLUSIVAMENTE PROFESIONAL Y **NO PARA USO DOMÉSTICO**. El operador tiene que ser una persona adulta. No permita que lo puedan utilizar niños ni personas incapacitadas.

## 7. Funcionamiento y conexión eléctrica

Tiene que ser personal técnico especializado el que se encargue de efectuar la instalación conforme con las normas de seguridad vigentes. Una instalación errónea puede ocasionar daños a personas, animales o cosas, por este motivo no se podrá considerar responsable al fabricante.

- El aparato tiene que estar colocado en una superficie estable y plana (se recomienda una distancia desde el suelo de entre 80 y 100 cm).
- Antes de conectar la clavija habrá que comprobar que los valores de tensión y de frecuencia de la red de alimentación eléctrica corresponden a los indicados en la etiqueta que contiene los datos técnicos del aparato.
- La toma de corriente tiene que disponer de una toma de tierra eficiente. Es importante verificar que la instalación de

toma de tierra es eficaz y que se adapta a las normas de seguridad actuales. En caso de duda póngase en contacto con personal profesionalmente especializado para que realice un examen de la instalación.

ES OBLIGATORIO QUE EL APARATO ESTÉ CONECTADO A UNA TOMA DE TIERRA.

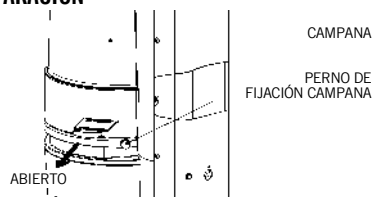
El fabricante declinará cualquier tipo de responsabilidad si esta norma no se respeta.

- También es importante verificar que la toma está protegida contra las sobrecargas de corriente y que la capacidad eléctrica de la instalación es la adecuada para el consumo de potencia del aparato, este dato lo puede encontrar en la etiqueta que contiene los datos técnicos.
- No utilice alargadores, adaptadores eléc-

tricos para enchufes múltiples ni conexiones volantes.

- En los países de la CEE la normativa vigente prevé que para una correcta instalación del aparato, el borne equipotencial exterior  $\nabla$  que se halla en la parte exterior de la placa del fondo del aparato, esté conectado a un nodo equipotencial.
- El aparato es adecuado exclusivamente para uso en interiores. No utilice el aparato al exterior.
- Limpiar detenidamente el aparato antes de la instalación, sobre todo seguir las instrucciones de los capítulos siguientes 9 y 14.
- No instalar el aparato cerca de dispensadores de agua o productos parecidos que puedan proyectar incluso sin querer salpicaduras de agua en el aparato.

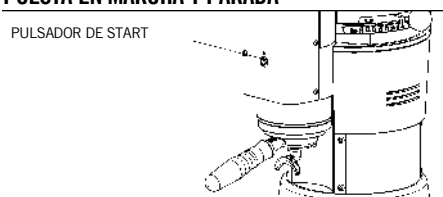
## PREPARACIÓN



Verifique que la campana está colocada correctamente sobre el aparato y fijada en la carcasa por medio dos pernos correspondiente.

Cierre el dispositivo de cierre y llene la campana con café en grano. Abra el dispositivo de cierre para permitir que los granos puedan entrar en el sistema de molido.

## PUESTA EN MARCHA Y PARADA



Para dar corriente al aparato, gire la rueda del interruptor hasta la posición I.

Insertar el portafiltro directamente en el aparato (**ejercitar solo un esfuerzo ligero; si el aparato se mueve sobre la superficie donde ha sido colocado, entonces se está realizando una fuerza excesiva**).

Después de haber insertado el portafiltro en el aparato, iniciar la molienda en esta manera: pulse el pulsador de start para moler, dosificar y prensar una dosis doble.

La luz roja situadas sobre el pulsador de start se encienden automáticamente cuando el aparato está moliendo y presionando el café.

Cuando el volumen del café molido en el portafiltro alcanza el nivel establecido, el motor de la molidura se apaga automáticamente.

## 8. Funcionamiento del aparato

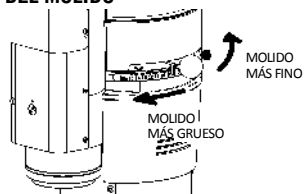
El motor de la presión, sin embargo, permanece encendido durante unos segundos, “terminando” el café presionado.

Una vez que se haya apagado la luz, se puede quitar el portafiltro de el aparato e insertarlo en la maquina para el café expreso.

Si cuando se presiona el botón para poner en marcha el aparato el indicador rojo parpadea, entonces está ocurriendo por lo menos una de estas condiciones:

- Estáis intentando poner en marcha el proceso con un portafiltro lleno.
- El timer de seguridad se ha parado debido a que un contenedor para café en grano se encuentre vacío, o bien porque la puerta para los granos de café este cerrada o el plano inclinado del contenedor de granos se encuentre obstruido.
- No hay portafiltro insertado en el aparato.

## AJUSTE DEL MOLIDO



Para moler café más o menos fino, hay que regular mediante la palanca de ajuste molido. Para que el producto molido sea un poco más grueso gire la palanca hacia la derecha; si en cambio desea que sea más fino, gire la palanca hacia la izquierda.

La palanca permanecerá en la posición deseada sin necesidad de parar la máquina. El ajuste se tiene que realizar sin café en las muelas. Muela pequeñas cantidades de café para encontrar el tipo de molido más adecuado.

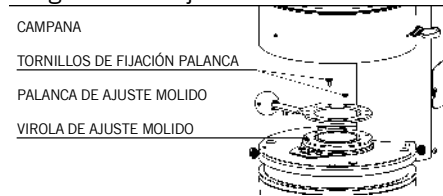
Antes de comprobar la finura de molido, muela algunas dosis de café para llenar el conducto que va desde la zona de molido hasta la boca de salida de la molienda.

Debe realizarse esta operación siempre que se modifique el grado de molido, para vaciar la molienda anterior que quede en el conducto. La modificación de la granulometría de la molienda podría variar el peso de las dosis. Por ello, regule la dosis solo después de regular el grado de molido.

Si no fuera posible, por el limitado ángulo de acción de la palanca, alcanzar el nivel de granularidad deseado, seguir de la siguiente manera:

- cerrar la puerta y apagar el aparato;
- desatornillar los pernos de fijación de la campana y quitarla;
- quitar los tornillos que fijan la palanca de ajuste del anillo de regulación y quitar la palanca;
- volver a colocar la palanca alineando los orificios para la fijación, a los orificios presentes en el anillo de regulación que permiten ajustar la molienda de la manera más amplia y adecuada;
- fijar la palanca al anillo de regulación con los tornillos adecuados;

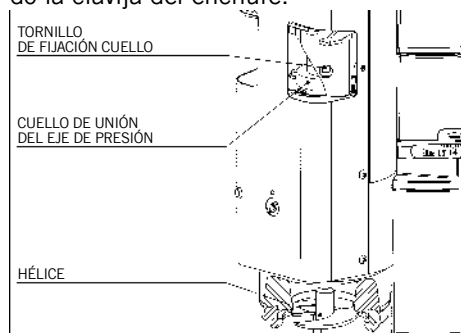
- volver a colocar la campana;
- sólo tras haber fijado la campana con la carcasa, enroscando los pernos correspondientes, abrir la puerta y seguir con el ajuste de la molienda.



Si el suministro de la máquina espresso es muy rápido, significa que el café molido es demasiado grueso. Si en cambio el suministro es muy lento significa que el café se ha molido demasiado fino. De todas formas hay que tener en cuenta que son muchas las condiciones que pueden influenciar el suministro correcto, como el peso de la dosis, el prensado, el ajuste de la máquina espresso y la limpieza de los filtros.

### AJUSTE DE LA DOSIS DEL CAFÉ MOLIDO

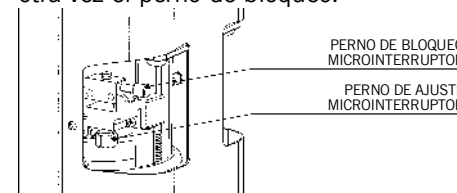
La regulación de la dosis del café debe ser efectuada únicamente por personal técnico cualificado sólo después de haber desconectado el aparato de la red de alimentación, lo que se consigue sacando la clavija del enchufe.



Es posible cambiar la cantidad de la dosificación subiendo o bajando la altura de la hélice; proceder como sigue:

- Quitar la ventana aflojando los tornillos;
- Aflojar el tornillo de fijación situado en el cuello de unión del eje de presión;
- Aguantando en su justa posición la unión del eje de presión, girar la hélice en la dirección deseada. Para aumentar la dosis, girar la hélice en sentido de las agujas del reloj, mirando desde abajo; para disminuir la dosis, girar la hélice en sentido contrario a las agujas del reloj, mirando desde abajo. Un giro de 360° equivale aproximadamente a 1 gramo de café;
- Asegurarse que el tornillo de fijación este situado contra el lado plano del eje de presión. Apretar nuevamente el tornillo de fijación en el cuello de la unión del eje de presión.

Pequeños ajustes de la dosis pueden hacerse actuando incluso en el microinterruptor de final de recorrido. Aflojar el perno de bloqueo del microinterruptor. Cambiar la altura del microinterruptor actuando en el perno de ajuste y, una vez encontrada la posición ideal, apretar otra vez el perno de bloqueo.



Antes de volver a conectar el aparato a la red, re-posicionar la ventana y fijarla mediante los tornillos correspondiente.

## 9. Advertencias de utilización

- Nunca deje que los aparatos funcionen sin café en la campana.
- En las operaciones de llenado de la tolva de café asegurarse de no introducir cuerpos ajenos. Manipularse con manos limpias.
- Volver siempre a colocar la tapa de la tolva después de cada llenado y durante el uso normal del aparato.

### • PRIMERA INSTALACIÓN

Para un correcto funcionamiento de las muelas, tras la primera instalación y cada vez que se cambien las muelas, es necesario moler algunas dosis de café (acerca 1 kg). No utilice estas primeras dosis de molienda para el suministro del café.

### • CAMPO DE SERVICIO DEL MOTOR

EN LAS VERSIONES CON MOTOR MONOFÁSICO RESPECTAR EL CICLO DE FUNCIONAMIENTO INDICADO EN LA PLACA ADHESIVA INCORPORADA AL LADO DEL APARATO.

Ej : el dato de la placa de características 35s ON / 45s OFF indica un ciclo de funcionamiento consentido de 35 segundos On y 45 segundos Off.

## 10. Protecciones

### PROTECTOR TÉRMICO

El motor del aparato está protegido contra el excesivo calentamiento debido a las sobrecargas de corriente por un protector térmico que cuando interviene interrumpe la alimentación del motor. En caso de que se produzca la intervención del protector térmico a causa de anomalías en el funcionamiento como por ejemplo el bloqueo de las muelas, será necesario apagar el aparato mediante el interruptor, EXTRAER LA CLAVIJA QUE LO MANTIENE ENCHUFADO A LA RED ELÉCTRICA Y PONERSE EN CONTACTO CON PERSONAL TÉCNICAMENTE ESPECIALIZADO. NO INTERVENIR NUNCA EN EL APARATO BAJO TENSIÓN DEBIDO AL RIESGO DE QUE EL MOTOR SE PUEDA PONER EN MARCHA IMPROVISADAMENTE. Si el aparato se ha calentado a causa del bloqueo del motor, será necesario esperar hasta que se enfríe antes de intervenir.

El sistema de protección contra el contacto fortuito con las piezas giratorias del sistema de molido está formado por un microinterruptor, situado debajo de la carcasa del aparato, que corta la alimentación eléctrica del motor. El botón de mando de este dispositivo

### MICROINTERRUPTOR DE BLOQUEO DEL MOTOR

El sistema de protección contra el contacto fortuito con las piezas giratorias del sistema de molido está formado por un microinterruptor, situado debajo de la carcasa del aparato, que corta la alimentación eléctrica del motor.

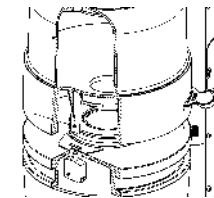
El botón de mando de este dispositivo

se acciona mediante una lengüeta que está en la campana; si se quita la campana o no se la coloca debidamente en su alojamiento, el microinterruptor no accionado impide el funcionamiento del aparato.

CAMPANA

LENGÜETA

MICROINTERRUPTOR



Para la colocación correcta de la campana, ésta se debe fijar en la carcasa mediante los pernos correspondiente.

La utilización de este aparato eléctrico tiene que ser conforme con las normas de seguridad vigentes:

- PRESTE MUCHA ATENCIÓN, DURANTE EL FUNCIONAMIENTO DEL APARATO, A LAS PARTES MECÁNICAS EN MOVIMIENTO QUE SE ENCUENTRAN EN EL SISTEMA DE MOLIDO Y EN LA SALIDA DEL CAFÉ MOLIDO. ANTES DE EXTRAER LA CAMPANA DEL SISTEMA DE MOLIDO ES IMPRESCINDIBLE DESCONECTAR LA TENSIÓN DE ALIMENTACIÓN. NUNCA HAY QUE INTENTAR EXTRAER OBJETOS EXTRAÑOS DEL SISTEMA DE MOLIDO O DE LA CAMPANA SIN ANTES HABER DESCONECTADO EL ENCHUFE DE LA RED ELÉCTRICA.
- Tenga cuidado porque después de la parada de la máquina, las muelas se siguen moviendo durante algunos instantes.

- NO ESTÁ PERMITIDO QUE EL USUARIO EXTRAIGA TORNILLOS O PARTES FIJADAS MEDIANTE TORNILLOS.
- En caso de mal funcionamiento o de avería póngase en contacto con personal técnico especializado y no intente realizar ningún tipo de reparación por cuenta propia.
- ANTES DE REALIZAR CUALQUIER TIPO DE INTERVENCIÓN, OPERACIÓN DE LIMPIEZA Y/O MANUTENCIÓN, DESENCHUFE LA TOMA DE CORRIENTE PARA DESCONECTAR EL APARATO DE LA RED ELÉCTRICA. APAGAR EL INTERRUPTOR GENERAL DEL APARATO NO GARANTIZA LAS MISMAS CONDICIONES DE SEGURIDAD.
- No manipule el aparato.
- Cuando el aparato permanezca sin vigilancia será indispensable desconectar

## 11. Advertencias de seguridad

el suministro de tensión del aparato mediante el interruptor general (por ejemplo durante la noche, las pausas, el día de cierre semanal o durante las vacaciones).

- No introduzca líquidos de ningún tipo para evitar que éstos entren en contacto con las partes internas o externas del aparato.
- En ningún caso meta café ya molido en la campana de café en grano.
- NO TIRE DEL CABLE DE ALIMENTACIÓN PARA DESENCHUFAR EL APARATO DE LA RED ELÉCTRICA.
- No toque el aparato con las manos o los pies mojados o húmedos.
- No utilice el aparato con los pies descalzos.

Si no se respetan estas normas el fabricante quedará eximido de cualquier tipo de responsabilidad por daños a cosas o a personas.



## 12. Ruido

### Países CEE:

La máxima emisión sonora de nuestros aparatos (en términos de potencia sonora) es igual a 81 dB(A).

El nivel equivalente de exposición sonora diaria para un operador, relacionados exclusivamente con un funcionamiento límite del aparato de 240 minutos por ocho horas es igual a 78 dB(A), de acuerdo con las Directivas

Europeas 86/188/EEC y 2003/10/EC. La utilización del aparato no requiere, por lo tanto, de ninguna precaución contra los riesgos derivados de una exposición al ruido en los lugares de trabajo (artículos 3÷8 de la Directiva Europea 2003/10/EC).

### Estados unidos y Canadá:

El nivel sonoro de nuestros aparatos está

dentro de los límites prescritos por el reglamento federal estadounidense 29 CFR 1910.95 ('*Occupational Health and Environment Control - Occupational noise exposure*') durante ocho horas diarias continuadas (en referencia a una exposición sonora relacionada exclusivamente al funcionamiento del aparato).

Dicho nivel ha sido comprobado con aparatos idénticos nuevos.

## 13. Manutención

Es indispensable realizar controles periódicos del estado del cable y del enchufe eléctrico.

EN CASO DE QUE EL CABLE O LA CLAVIJA PRESENTEN ALGÚN DAÑO, SOLICITE LA INTERVENCIÓN DE PERSONAL TÉCNICO ESPECIALIZADO PARA SUSTITUIRLOS A FIN DE PREVENIR CUALQUIER RIESGO.

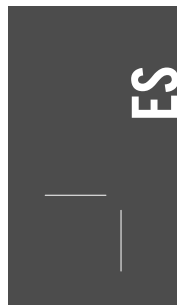
EN LOS APARATOS CON MARCA **CE**, PARA ABRIR LA PLACA DE FONDO Y PARA CAMBIAR EL CABLE SERÁ NECESARIA LA UTILIZACIÓN DE UNA HERRAMIENTA ESPECIAL.

Se aconseja utilizar únicamente piezas de repuesto originales.

Para garantizar la efectividad del aparato es indispensable que personal

técnico especializado efectúe la manutención periódica con detallados controles del estado de los componentes que están más sometidos a desgaste.

Es necesario verificar periódicamente el estado de desgaste de las muelas. Un óptimo estado de las muelas garantiza una elevada calidad del molido, más productividad y menos calentamiento.



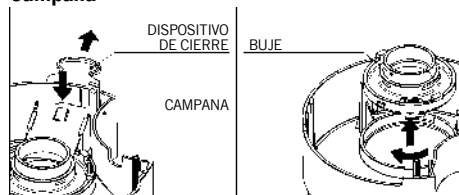
DESCONECTE LA CLAVIJA PARA ELIMINAR LA TENSIÓN DE ALIMENTACIÓN DEL APARATO ANTES DE INICIAR LAS OPERACIONES DE LIMPIEZA. EL APARATO NO SE TIENE QUE LIMPIAR CON CHORROS DE AGUA.

No instale el aparato en locales en el que esté prevista la limpieza mediante chorros de agua.

ES IMPRESCINDIBLE QUE LA LIMPIEZA PERIÓDICA DEL APARATO LA LLEVE A CABO EXCLUSIVAMENTE PERSONAL TÉCNICO ESPECIALIZADO. Para la limpieza utilice paños o pinceles perfectamente limpios e higienizados.

No utilice productos abrasivos para que los detalles no pierdan su brillo original.

#### Campana



Lave la campana después de haberla sacado del aparato, con agua y jabón neutro, aclárela con agua templada y séquela perfectamente.

Para limpiar las superficies internas hay que desmontar la campana: quitar la puerta actuando en el diente de bloqueo correspondiente y después quitar el buje girándolo en sentido horario y levantándolo (vea la figura).

Se aconseja efectuar periódicamente la limpieza de la campana.

Para volver a montarla campana, seguir las instrucciones al revés.

Después de la limpieza, la campana se debe colocar debidamente en el aparato, fijándola por medio dos pernos correspondiente.

#### Sistema de molido

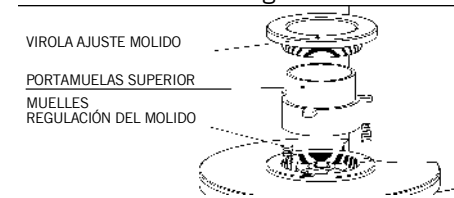
Como se explica en el párrafo “AJUSTE DEL MOLIDO” quitar la campana y la palanca de ajuste moledura.

Destornille la virola de ajuste y gírela hacia la derecha. Después de haber extraído el portamuelas superior, limpie las muelas, las roscas y todo el sistema de molido con la ayuda de un pincel y de un paño seco. Para la rosca del aparato se recomienda utilizar un pincel con dientes metálicos.

Se recomienda controlar la limpieza de las roscas del anillo de regulación y del

## 14. Limpieza del aparato

aparato enroscando el anillo de regulación hasta el final de recorrido sin haber introducido el portamuelas superior; si el atornillado del anillo de regulación no se realiza de manera sencilla hay que volver a efectuar la limpieza. Actuando de manera diferente existe el riesgo de dañar los anillos de regulación.



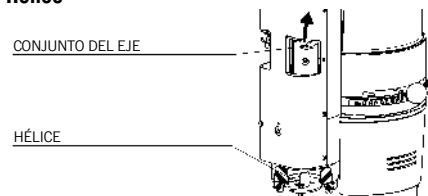
Controlar la presencia en su lugar de los muelles de regulación molido. Después de haber vuelto a colocar el portamuelas superior en su alojamiento, lubricar con grasa adecuada para el contacto con alimientos el anillo de regulación y elrellano de soporte que entra en contacto con el portamuelas superior.

Volver a enroscar el anillo de regulación girándolo en sentido antihorario, volver a colocar la palanca y fijarla con el anillo de regulación con tornillos adecuados.

Tras haber vuelto a colocar la campana fijándola de manera correcta, efectuar la

regulación del grado de molidura.

### Hélice



La limpieza de la hélice debe ser efectuada únicamente por personal técnico cualificado, **después de haber desconectado el aparato de la red de alimentación**, conforme al procedimiento siguiente:

- Quitar la ventana aflojando los tornillos;
- Presionar y mantener bloqueado el

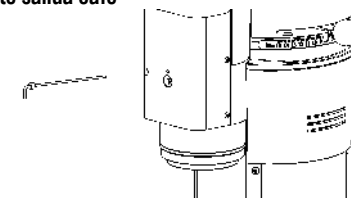
conjunto del eje para impedir que este de vueltas y gire;

- Con el pulgar y el índice presionar contra las partes planas de la hélice. Girar le hélice en el sentido de las agujas del reloj, mirando desde bajo, para extraerla;
- extraída la hélice, limpiar alrededor del anillo a bayoneta con el cepillo y limpiar hacia fuera los granos residuos de esta zona.
- Insertar el pincel pequeño para la limpieza dentro del área de recogida situada sobre la hélice y de nuevo limpiar hacia fuera los granos residuos.
- Limpiar la hélice con un paño suave y seco.
- Instalar de nuevo le hélice girando en

el sentido contrario de las agujas del reloj.

- Antes de volver a conectar el aparato a la red, re-posicionar la ventana y fijarla mediante los tornillos correspondiente.

### Conducto salida café



La limpieza del conducto de salida del café debe realizarse introduciendo suavemente la herramienta 5,372.5 en el orificio indicado prestando atención a como se mueve.

Producido por:

**Mazzer Luigi srl**

Via Moglianese, 113 – 30030 Gardigiano di Scorzè (Venezia) - Italy

E-mail: mazzer@mazzer.com - <http://www.mazzer.com>

Todos los derechos reservados. Se prohíbe la reproducción, adaptación o traducción de este documento sin la previa autorización por escrito.

# vulcano swift

사용 설명서

## 목차

1. 서문	페이지	2
2. 치수	페이지	2
3. 포장	페이지	2
4. 폐기	페이지	2
5. 일반 설명	페이지	3
6. 사용	페이지	4
7. 설치 및 배선	페이지	4
8. 장비 작동	페이지	5
9. 작동에 관한 경고	페이지	8
10. 안전 장치	페이지	8
11. 안전에 관한 경고	페이지	9
12. 소음 수준	페이지	10
13. 유지 관리	페이지	10
14. 장비 청소	페이지	11



**la marzocco**

handmade in florence

La Marzocco S.r.l.

Via La Torre 14/H  
Località La Torre  
50038 Scarperia e San Piero  
(Firenze) – ITALIA

[www.lamarzocco.com](http://www.lamarzocco.com)  
[info@lamarzocco.com](mailto:info@lamarzocco.com)

T: +39 055 849 191  
F: +39 055 849 1990



## 1. 서문

본 설명서에는 장비의 안전, 작동 및 유지 관리에 대한 중요한 지침이 포함되어 있으므로 장비를 사용하기 전에

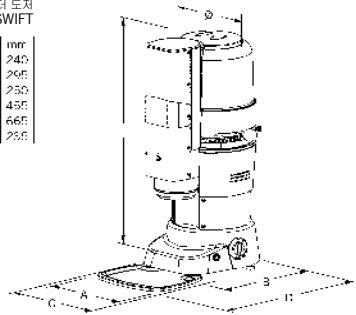
음부터 끝까지 읽어 주십시오. 설명서를 읽은 후에는 안전한 장소에 보관하십시오.

제조업체는 제품과 설명서를 변경할 권리가 있습니다.

## 2. 치수

커피 그라인더 도자  
VULCANO SWIFT

전체 높이	119mm
A	74mm
B	26mm
C	23mm
D	45mm
E	66mm
F	25mm



## 3. 포장

포장을 풀고 장비가 새 것이며 손상의 흔적이 없는지 세심하게 살펴 보시기 바랍니다. 손상이 의심되면 장치를 사용하지 말고

해당 전문 기술을 가진 직원에게 문의하십시오. 포장 재료는 위험할 수 있으므로 아이들 손이 닿지 않는 곳에 보관해야 합니

다. 보증이 만료될 때까지 포장을 보관하십시오.

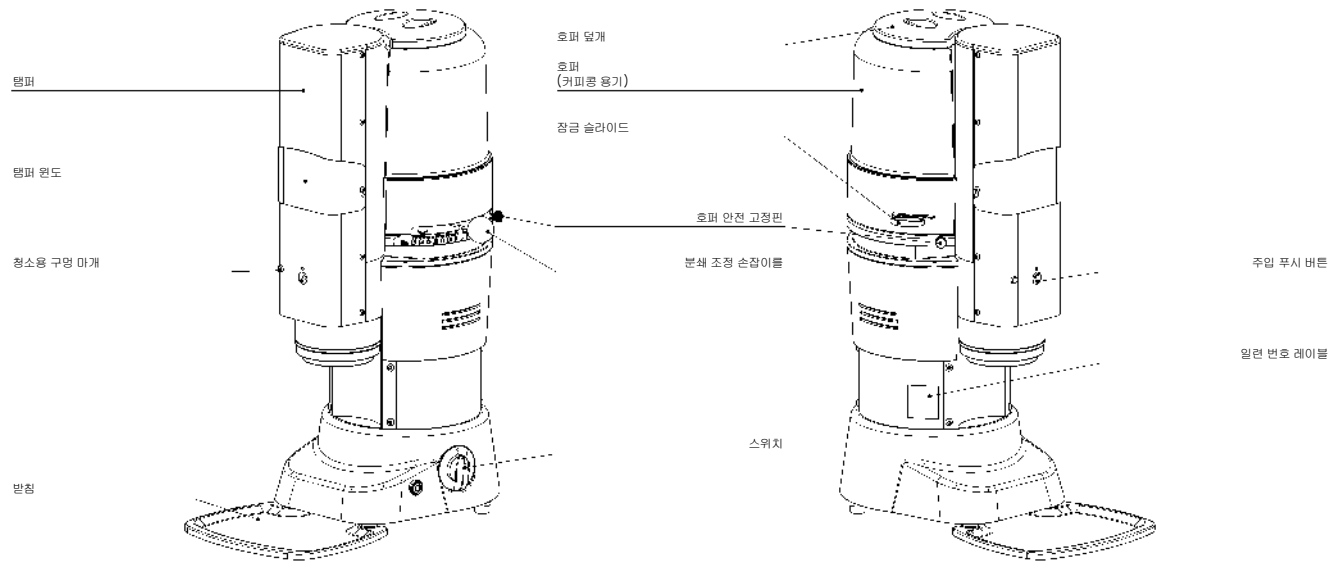
## 4. 폐기

쓰레기로 버리지 마십시오. 포장 재료는 관련 법률에 따라 폐기하십시오. 장비를 더 이상 사용하지 않기로 결정

한 경우 사용할 수 없도록 플러그를 뽑은 다음 장비를 사용하지 못하도록 케이블을 절단하십시오.

장비 부품의 폐기에 대한 정보는 전문 회사에 문의하십시오.

## 5. 일반 설명



## 6. 사용

이 장비는 커피콩 분쇄 **전용으로** 제작되었습니다. 다른 용도로 사용하는 것은 부적절하며 위험한 결과를 초래할 수 있습니다. 제조업체는 부적절하거나 잘못된 사용으로 인해 발생하는 손상에

대해서는 책임을 지지 않습니다. 다른 종류의 음식 등을 분쇄하는 데 장비를 사용하지 마십시오. 당사에서 제조하는 커피 그라인더 도저 전문적으로 사용하는 숙련된 사람만 사

용해야 하며 **가정용으로 사용해서는 안 됩니다.** 성인만 사용해야 합니다. 아이들이나 무능력자가 장비를 사용하지 못하도록 하십시오.

## 7. 설치 및 배선

장비는 현재 시행 중인 안전 규칙을 준수하는 숙련된 기술 직원이 설치해야 합니다. 잘못 설치하면 사람이나 동물이 부상을 입거나 재산상의 손해를 입을 수 있습니다. 이 경우 제조업체는 책임을 지지 않습니다.

- 장비는 안정되고 편평한 표면에 놓아야 합니다 (바닥에서 80-100cm 높이에 기기를 설치하십시오).
- 장비의 전원을 꽂기 전에 공급 전원의 전압과 주파수 값은 장비의 기술 데이터가 적혀 있는 레이블에 표시된 정격과 일치하는지 확인하십시오.
- 벽면의 소켓은 효율적으로 접지되어

있어야 합니다. 따라서 접지 시스템이 효율적이며 최신 안전 규칙을 준수하는지 확인하는 것이 중요합니다. 의심되는 부분이 있으면 해당 전문 기술을 갖춘 직원이 시스템을 철저히 확인하도록 하십시오.

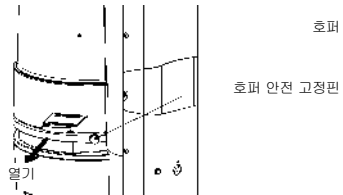
- 장비는 반드시 접지되어야 합니다. 이 규정을 준수하지 않을 경우 제조업체는 책임을 지지 않습니다.
- 기술 데이터가 적혀 있는 레이블에 표시된 대로 장비가 사용하는 전원이 시스템 정격에 적합하며 벽면 소켓이 과전류로부터 보호되는지 반드시 확인하십시오.
- 여러 소켓을 사용하거나 임시 방편으

로 연결하기 위해 연장 케이블, 플러그 어댑터를 사용하지 마십시오.

- EEC 회원국에서는 올바르게 설치할 경우 장비의 바닥판 외부에 있는 등전위 터미널을  $\nabla$  등전위 노드에 연결할 것을 강제 규정하고 있습니다.
- 장비는 실내사용에만 적합합니다. 실외에서는 사용하지 마십시오.
- 기기 첫 설치 시 철저히 청소하십시오; 설명서 9장과 14장을 참조하십시오.
- 기기에 물을 뿌릴 수 있는 정수기 또는 그와 유사한 제품과 가까이 설치하지 마십시오.

## 8. 장비 작동

### 준비

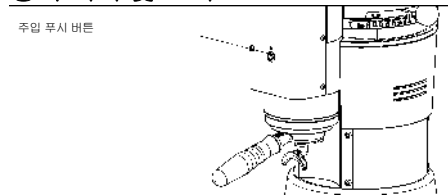


호퍼가 장비 내에 올바른 위치에 있는지, 해당 안전핀을 통해 케이스에 고정되어 있는지 확인하십시오.

잠금 슬라이드를 닫고 커피콩을 호퍼에 채우십시오.

콩이 분쇄 시스템으로 떨어지도록 잠금 슬라이드를 여십시오.

### 장비 켜기 및 끄기



장비 전원을 켜려면 켜짐-꺼짐 스위치 노브를 I로 돌립니다.

필터 홀더를 직접 장비에 장착합니다 (**살짝 힘을 가해 조여줍니다. 카운터 톱 위의 그라인더가 움직였다면 힘을 지나치게 사용한 경우입니다.**)

필터 홀더가 장착되었다면 이렇게 분쇄를 시작하십시오: 시작 버튼을 누르면 더블 양을 분쇄해서 배출한 후 탬핑합니다.

시작 버튼 위에 있는 적색 표시등은 장비가 분쇄 및 탬핑하고 있을 때 불이 들어 옵니다.

필터 홀더 안의 분쇄 커피양이 지정된 수준에 도달하면, 분쇄모터의 전원이 꺼집니다. 탬핑 모터가 몇 초간 추가로 작동하여 탬핑된 커피를 "폴리싱(광택)" 처리하게 됩니다.

적색등이 더이상 켜져 있지 않으면, 필터 홀더를 그라인더에서 제거해서 에스프레소 기계에 장착할 수 있습니다.

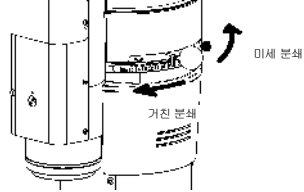
시작 버튼을 눌렀을 때 적색 표시등이 깜박인다면, 아래 중 적어도 한가지 문제가 발생했다는 의미입니다:

필터 홀더가 가득 차있는 상태에서 진행하려 했습니다.

커피콩 호퍼가 비어 있거나, 잠금 슬라이더가 닫혀 있거나, 커피콩 호퍼 활송장치가 막혀 있어서 안전 타이머 다 되었습니까.

장비에 필터 홀더가 장착되어 있지 않습니다.

## 분쇄 조정



미세하거나 거친 분쇄 입자를 원하는 경우 해당 분쇄 조정 손잡이를 사용하여 조정해야 합니다. 분쇄 커피의 거친 정도를 증가시키려면 손잡이를 시계 방향으로 돌리고 감소시키려면 손잡이를 시계 반대 방향으로 돌려야 합니다.

분쇄 조정 손잡이를 제 위치에 고정하지 않아도 선택한 위치를 유지합니다. 조정은 모터가 켜진 상태에서 수행해야 하며 분쇄 날 사이에 커피가 없어야 합니다. 최적의 미세함 정도를 얻으려면 소량의 커피를 분쇄하십시오.

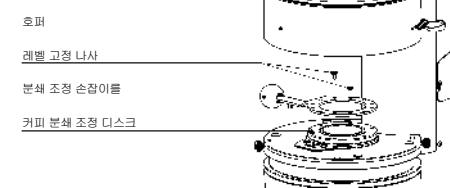
분쇄게이지를 검사하기 전에 가루의 배출마개와 분쇄 구역 사이에 있는 통을 다시 채우기 위해 약간의 양의 커피를 분쇄하십시오.

이러한 과정은 이전에 분쇄했던 것을 통에서 비우게 하기 위하여 매 번 다양한 분쇄를 할 때마다 뒤따릅니다. 분쇄 굵기는 양의 무게 또한 다양하게 할 수 있습니다. 그렇기 때문에 계속해서 분쇄할 유일한 양을 조절하여 정하십시오.

분쇄 조정 범위가 충분하지 않은 경우, 원하는 설정을 하기 위해선, 다음 조치를 취하십시오:

- 잠금 슬라이드를 닫고 그라인더를 끄십시오;
- 커피 콩 호퍼의 고정 핀을 돌려 제거하십시오;
- 분쇄 조절 레버를 분쇄 조절 디스크에 고정시키는 나사를 제거하고 레버를 제거하십시오;
- 레버를 조절 디스크의 구멍에 맞춰 끼우십시오;
- 레버 나사를 조절 디스크 안에 꼭 조이십시오;

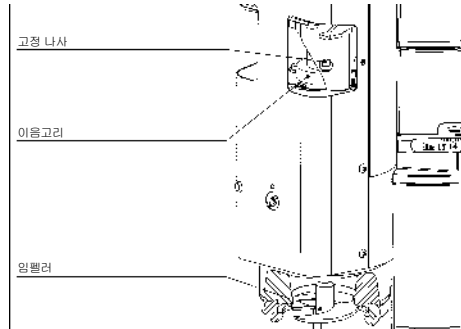
- 호퍼를 다시 놓습니다;
- 핀을 단단히 고정하여 그라인더 캐비닛 안으로 호퍼를 넣은 후 잠금 슬라이드를 열고 분쇄 조정을 진행합니다.



커피 그라인더 도저 과 전자 커피 그라인더 도저, 커피가 에스프레소 커피 기계에서 너무 빨리 빠져 나오는 경우 커피가 너무 거칠게 분쇄된 것을 뜻합니다. 반대로 너무 느리게 빠져 나오는 경우 커피가 너무 미세하게 분쇄된 것입니다. 그럼에도 불구하고 분량의 중량, 압축, 에스프레소 기계 설정 및 필터 청소 등과 같이 올바른 공급에 영향을 미칠 수 있는 조건이 많다는 것을 명심하십시오.

## 커피 용량 조정

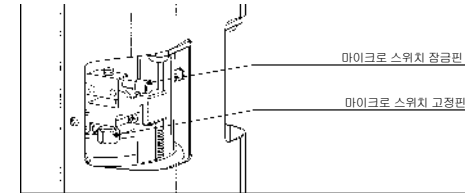
커피 용량 조절은 반드시 플러그를 뽑아 장비의 전원을 분리한 후 전문 기술을 가진 직원이 실시해야 합니다.



임펠러의 높이를 올리거나 낮추면 용량 변경이 가능합니다. 아래와 같이 진행:

- 나사를 풀어 탬퍼 윈도를 제거합니다;
- 탬퍼 샤프트 커플링의 이음고리에서 고정 나사를 풉니다.
- 탬퍼 샤프트 커플링을 잡아준 상태에서 임펠러를 원하는 방향으로 회전시킵니다. 용량을 늘리려면 임펠러를 시계방향(밑에서 바라봤을 때)으로 돌려줍니다. 용량을 늘리려면 임펠러를 시계방향(밑에서 바라봤을 때)으로 돌려줍니다. 한바퀴(360°)는 대략적으로 커피 1 그램에 해당합니다.
- 고정 나사가 탬퍼 샤프트의 평평한 면을 향하도록 합니다. 탬퍼 샤프트 커플링의 이음고리에서 고정 나사를 풉니다.

과전류 차단용 마이크로 스위치를 움직이면 미세하게 용량을 조절할 수 있습니다. 마이크로 스위치 잠금 핀을 풀어줍니다. 고정핀을 회전시켜 과전류 차단용 마이크로 스위치의 높이를 변경하되, 최적 위치에 도달하게 되면 잠금핀을 조여줍니다.



장비를 전원에 다시 연결하기 전에, 해당 나사를 사용하여 탬퍼 윈도를 올바른 위치에 고정시켜 줍니다.

## 9. 작동에 관한 경고

- 호퍼에 커피를 넣지 않은 상태에서 장비를 켜 두지 마십시오.
- 커피 콩으로 호퍼를 채울 때는 이물질이 들어가지 않도록 주의하십시오. 언제나 깨끗한 손으로 취급하십시오.
- 호퍼가 채워지고 정상적인 기기 사용 시에는, 호퍼 뚜껑이 올바르게 닫혀 있어야 합니다.

### • 처음 설치

커피 그라인더가 올바르게 작동하는지 확인하기 위해 처음 설치할 때와 그라인더를 교환할 때마다 약간의 커피를 그라인딩해 보는 것이 좋습니다 (대략 1kg). 처음 그라인딩한 이 커피는 음용하는 데 사용하지 마십시오.

### • 모터의 작동 범위

단상 모터 버전에서는 장비 측면에 붙어 있는 레이블에 명시된 연속 작동 시간을 준수하십시오.

예: 레이블 35s ON / 45s OFF 에 있는 데이터는 허용되는 연속 작동 시간이 35 초 켜고 45 초 끄는 것임을 나타냅니다.

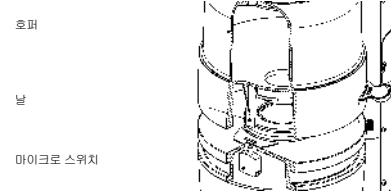
## 10. 안전 장치

### 과열 보호

장비 모터는 회로가 끊어지면 모터의 전원 공급이 차단되는 과열 보호 기능을 통해 과전류로 인한 과열을 차단하도록 보호되어 있습니다. 분쇄 날 걸림과 같은 이상 작동의 결과로 보호 회로가 끊어지는 경우 장비를 켜짐-꺼짐 스위치를 사용하여 전원을 끄고 주 전원에서 플러그를 뽑은 다음 숙련된 기술자에게 문의해야 합니다. 모터가 갑자기 회전할 위험이 있으므로 주 전원 연결된 상태에서는 장비를 작동하지 마

십시오. 모터 중지로 인해 장비가 과열될 경우 장비를 식힌 후에 수리 작업을 수행하십시오.

### 모터를 차단하는 마이크로 스위치



마이크로 시스템에 의해 분쇄시스템 중 돌아가는 부분들의 돌발적인 접촉으로

부터 시스템을 보호합니다. 기계의 페어링 밑부분에 위치하고 있으며 모터의 전력을 끊습니다.

이 장치의 버튼은 커피통의 이음고리 위에 있는 날에서부터 시행된다. 즉 만일 커피통을 제거하거나 올바른 위치에 장착되지 않으면 마이크로 버튼이 실행되지 않고 기계가 정상적으로 작동하지 않습니다. 커피통의 정확한 장착하려면 이음관 위에 있는 전용핀으로 페어링에 고정해야 합니다.



## 11. 안전에 관한 경고

이 전기 장비는 안전 작동에 관한 규정을 준수하여 사용해야 합니다.

- 작동할 때 장비는 분쇄 날과 분쇄 커피 방출구 영역에 움직이는 기계 부품이 있음을 명심하십시오. 분쇄 시스템에서 호퍼를 제거하기 전에 전원을 분리하십시오. 먼저 장비의 주 전원을 분리하지 않은 상태에서 분쇄 시스템이나 호퍼에서 외부 날을 제거하지 마십시오.
- 장비의 전원을 끈 후라도 잠시 동안 분쇄 날이 회전을 계속할 수 있으므로 주의하십시오.
- 나사 또는 나사로 고정된 부품을 장비에서 분리하거나 전기회로를 고의적

으로 훼손하는 행위는 사용자에게 금지되어 있습니다.

- 장비가 제대로 작동하지 않거나 결함이 있는 경우 숙련된 기술자에게 문의하고 절대로 직접 수리하려고 시도하지 마십시오.
- 청소 및/또는 유지 관리를 포함하여 장비에서 작업을 수행하기 전에는 플러그를 뽑아 전원을 분리하십시오. 마스터 스위치를 사용하여 장비 전원을 끄는 것은 동일한 안전 조건으로 인정되지 않습니다.
- 장비를 함부로 변경하지 마십시오.
- 아무도 없는 상태로 장비를 방치할 때는 마스터 스위치를 사용하여 장비 전

원을 분리해야 합니다 (예: 야간, 휴식, 주중 폐점 또는 휴일).

- 어떤 종류의 액체도 장비의 내부 또는 외부 부품으로 흘러 들어가게 하지 마십시오.
- 커피콩 전용의 호퍼에 분쇄된 커피를 절대로 넣지 마십시오.
- 주 전원에서 장비 전원을 끌 때 공급 케이블을 세게 잡아 당기지 마십시오.
- 젖은 손이나 발로 장비를 만지지 마십시오.
- 장비를 맨발로 사용하지 마십시오.

이러한 규정을 준수하지 않을 경우 제조업체는 부상이나 재산상의 손해를 책임지지 않습니다.





## 12. 유지 관리

### EC 국가:

본 장비의 최고 소음 방출(음향 출력 수치)은 81 dB(A)입니다. 장비를 8 시간마다 240 분만 작동할 경우 작업자의 일일 소음 방출은 ED 86/188/EC 및 ED 2003/10/EC 에 따라 78 dB(A)입니다. 따라서 장비를 정상적으로 작동하는 경우 작업장에서 소음

노출로 인해 발생하거나 발생할 수 있는 위험을 방지하기 위한 조치를 취할 필요는 없습니다(ED 2003/10/EC 3-8 항).

### 미국 및 캐나다:

본 장비의 소음 수준은 하루 8 시간 지속적으로 사용하는 경우 미국 규정 29 CFR 1910.95 (*'Occupational Health*

*and Environment Control - Occupational noise exposure'*) 에 규정된 한도 내에 있습니다(장비 작동만의 소음에의 노출 관련).

상기 소음 수준은 동일한 신형 장비에서 확인되었습니다.

## 13. 유지 관리

공급 케이블과 플러그의 상태는 정기적으로 점검해야 합니다.

공급 케이블이나 플러그가 손상된 경우 위험을 방지하기 위해 숙련된 기술자에게 교체를 요청하십시오.

CE 인증 장비에서는 케이블을 확인하

기 위해 받침대를 열려면 특수 공구가 필요합니다.

정품 예비 부품만 사용하는 것이 좋습니다.

장비 효율성을 지속시키려면 마모 가능성이 있는 부품의 상태에 대한 세부 점검을 포함하여 정기적인 유지 관리를

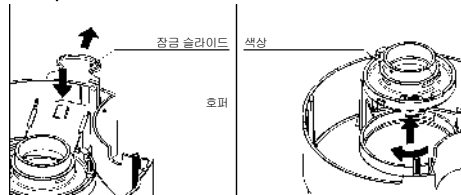
수행하기 위해서는 숙련된 기술자에게 문의해야 합니다.

분쇄 날의 상태는 정기적으로 점검해야 합니다. 분쇄 날을 최상의 상태로 유지하면 고품질 분쇄로 생산성을 향상시키고 과열을 방지할 수 있습니다.



청소하기 전에 플러그를 뽑아 장비의 전원을 분리하십시오. 물을 분사하여 장비를 청소해서는 안 됩니다. 청소를 위해 물 분사를 사용하는 곳에 장비를 설치하지 마십시오. 숙련된 직원만이 장비를 정기적으로 청소해야 합니다. 청소할 때는 매우 깨끗하고 오염되지 않은 천이나 솔을 사용하십시오. 마모성 있는 제품은 광택이 있는 부분에 기스를 낼 수 있으므로 사용하지 마십시오.

#### 호퍼



호퍼를 장비에서 제거한 후에는 중성 세제와 물을 사용하여 호퍼를 세척하고 미지근한 물로 충분히 헹군 다음 완전히 건조시키십시오.

내부 표면을 청소하려면, 클릭을 눌러서 잠금 슬라이드를 풀고 호퍼를 제거해야 합니다. 그런 후 허브를 시계 방향

으로 돌리고 들어서 제거합니다 (사진 참조).

호퍼는 정기적으로 청소하는 것이 좋습니다.

호퍼를 완전히 조립하려면 이전 설명과 반대 순서로 진행하십시오.

일단 호퍼를 청소한 후에는 호퍼를 장비 내 원래 위치에 되돌려 놓고 해당 고정핀으로 고정해야 합니다.

#### 분쇄 시스템

“분쇄 조정”에서 설명했듯이, 호퍼와 조절 레버를 제거하십시오.

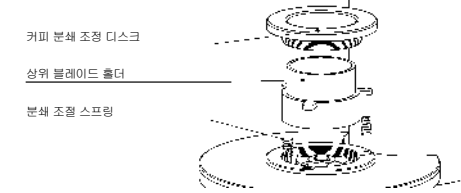
조정 디스크를 시계 방향으로 돌려 나사를 푸십시오. 상단 분쇄 날 홀더를 제거한 후에는 분쇄 날, 나사 및 전체 분쇄 시스템을 깨끗한 솔과 천을 사용하여 깨끗하게 청소하십시오. 그라인더의 스퀘드를 청소할 때는 작은 와이어 브러시를 이용하십시오.

그라인더 스퀘드와 조절 디스크가 깨끗한지 확인하십시오: 이것을 수행하기 위해선, 블레이드 홀더를 빼고 조절 디스크를 끝까지 반 시계 방향으로 돌리면 됩니다.

만약 분쇄 조절 디스크가 쉽게 돌아가지 않을 경우, 다시 한번 깨끗이 청소하

## 14. 장비 청소

십시오. 위와 같이 청소 작업을 하지 않을 경우, 스퀘드가 손상될 수 있습니다.

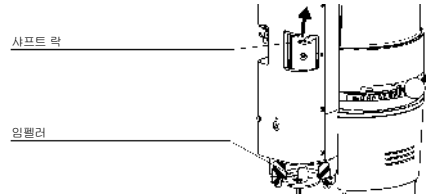


분쇄 조절 스프링이 제 위치에 있는지 확인하십시오. 해당 슬롯에 상위 블레이드 홀더 다시 끼운. 분쇄 조절 디스크의 스퀘드와 분쇄 블레이드 홀더와 맞닿는 아래 표면에 윤활유를 바르십시오 - 식품 접촉에 적합 윤활제를 사용.

조정 디스크를 시계 반대 방향을 회전하여 나사를. 조절 레버를 제 위치에 놓고 맞는 나사로 조절 디스크에 고정하십시오.

호퍼를 다시 끼운 후 필요한 만큼 분쇄를 조정하십시오.

## 임펠러



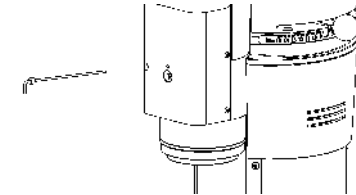
임펠러 청소는 반드시 장비에서 전원을 분리하고 난 후에, 전문 기술을 가진 직원이 실시하되 다음의 지시 사항을 따라야 합니다.

- 나사를 풀어 탬퍼 윈도를 제거합니다;
- 샤프트 락을 위쪽을 향해 계속 돌려 샤프트가 돌아가지 못하도록 합니다;
- 엄지와 검지를 사용하여 임펠러의 평평한 부분을 밀어붙입니다. 임펠러를

밑에서 바라봤을 때 시계방향으로 돌려 제거합니다;

- 임펠러가 분리되면, 바요넷 링 주변을 청결한 솔이나 천으로 청소하여 이 부분의 이물질을 모두 닦아 냅니다;
- 임펠러 위의 커피 수집 영역에 청소용 솔을 집어 넣어 다시 한번 이물질을 닦아 냅니다;
- 부드럽고 건조한 천을 사용하여 임펠러를 청소합니다;
- 임펠러를 시계반대방향으로 돌려 다시 설치합니다;
- 장비를 전원에 다시 연결하기 전에, 해당 나사를 사용하여 탬퍼 윈도를 올바른 위치에 고정시켜 줍니다.

## 커피 배출구 활송장치



커피 배출구 활송장치는 반드시 5.372.5 공구를 구멍에 넣어 청소해야 합니다(공구 이동시 주의).

에 의해 생산 :

**Mazzer Luigi srl**

Via Moglianese, 113 – 30030 Gardigiano di Scorzè (Venezia) - Italy

E-mail: mazzer@mazzer.com - <http://www.mazzer.com>

All rights reserved. 사전 서면 승인 없이 이 문서의 내용을 복사, 수정 또는 번역하는 것은 금지됩니다.

초판 : 2013년  
최종판 : VS03 2015년/02월

