



la marzocco

handmade in florence

vulcano swift



vulcano swift

instruction manual

Contents

1. Foreword	page 2
2. Dimensions	page 2
3. Packaging	page 2
4. Disposal	page 2
5. General description	page 3
6. Use	page 4
7. Installation and wiring	page 4
8. Operation of the appliance	page 5
9. Warnings regarding operation	page 8
10. Safety devices	page 8
11. Warnings regarding safety	page 9
12. Noise levels	page 10
13. Maintenance	page 10
14. Cleaning the appliance	page 11



la marzocco

handmade in florence

La Marzocco S.r.l.

Via La Torre 14/H
Località La Torre
50038 Scarperia e San Piero
(Firenze) – ITALIA

www.lamarzocco.com
info@lamarzocco.com

T: +39 055 849 191
F: +39 055 849 1990

EN

1. Foreword

Read this manual from cover to cover before using the appliance as it contains important instructions for the safety, oper-

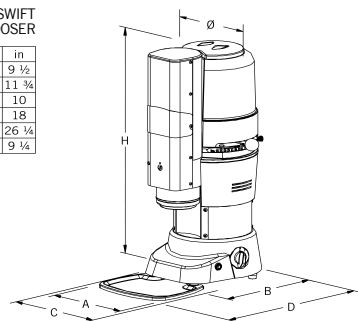
ation and maintenance of the appliance. Look after this manual and keep it in a safe place.

The manufacturer reserves the right to make changes to the product and to the manual.

2. Dimensions

VULCANO SWIFT
GRINDER-DOSER

	mm	in
A	240	9 ½
B	295	11 ¾
C	250	10
D	455	18
H	665	26 ¼
Ø	235	9 ¼



3. Packaging

On opening the packaging, check carefully to make sure the appliance is intact and that there are no signs of damage. If in any doubt, do not use the

unit and contact personnel with the appropriate professional skills. The packaging materials must be kept out of the reach of children as they

represent a potential source of danger. Keep the packaging until the warranty has expired.

4. Disposal

Do not litter: dispose of the packaging materials according to the laws in force. Should you decide not to use the appliance any more, remember to unplug it

so that it cannot be used, and then cut the cable in the point where it comes out of the appliance. Contact specialized firms for information

on the disposal of the components of the appliance.

INFORMATION FOR USERS RESIDING IN THE EUROPEAN UNION

In accordance with art. 13 of Legislative Pursuant to art. 26 of Legislative Decree of March 14, 2014, no. 49: "Implementation of Directive

2012/19/EU on Waste Electrical and Electronic Equipment (WEEE)."

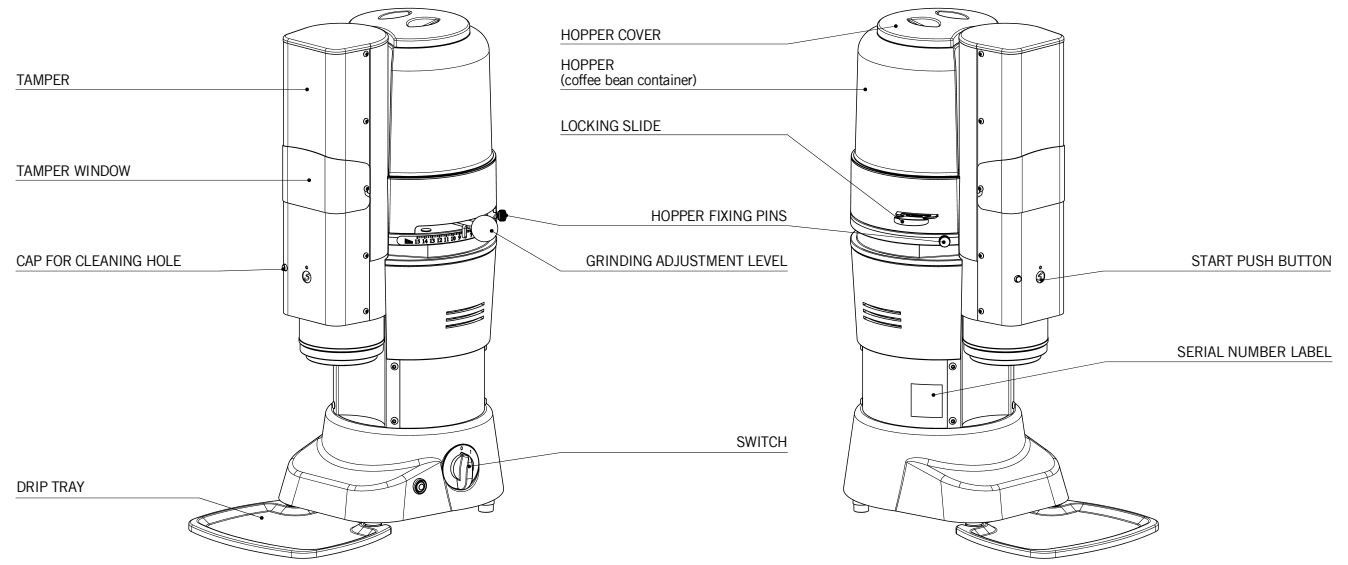


The crossed bin symbol shown here and on the equipment or its box indicates that, at the end of its useful life, the product (EEE)

must be collected separately from other waste, with prohibition of disposal with mixed waste.

For more information, contact *La Marzocco s.r.l.*

5. General description



6. Use

This appliance has been designed SOLELY for grinding coffee beans. Any other use is understood to be improper, and consequently hazardous. The manufacturer cannot be held responsible for any damage as a result of improper or

incorrect use.

Do not use the appliance for grinding other types of food, or anything else.

THE GRINDER-DOSERS MANUFACTURED BY OUR COMPANY ARE INTENDED FOR SKILLED PERSONNEL

ONLY FOR PROFESSIONAL USE AND **NOT FOR HOUSEHOLD USE.** The user must be an adult.

Do not allow children or incapable persons to use the appliance.

7. Installation and wiring

The appliance must be installed by skilled technical personnel in conformity with the safety rules in force. Incorrect installation may result in injury of persons or animals, or damage to property, for which the manufacturer cannot be held responsible.

- The appliance must be placed on a stable, flat surface (we recommend to install the appliance at an height between 80 and 100 cm from the floor).
- Before plugging in the appliance, make sure the voltage and frequency values of the supply mains correspond to the ratings indicated on the label featuring the appliance's technical data.
- The wall socket must be fitted with an

efficient earth contact. Consequently, it is essential to make sure the earth system is efficient and in conformity with current safety rules. If in any doubt, have the system thoroughly checked by personnel with the appropriate professional skills.

IT IS COMPULSORY TO EARTH THE APPLIANCE.

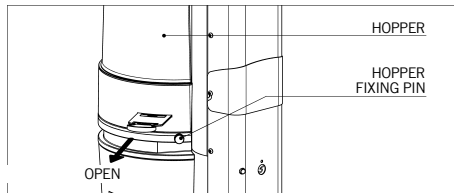
The manufacturer cannot be held responsible in the event this regulation is not complied with.

- It is essential to make sure the ratings of the system are suitable for the power absorbed by the appliance - as indicated on the label featuring the technical data - and that the wall socket is protected against overcur-

rents.

- Do not use extension cables, plug adapters for multiple sockets or makeshift connections.
- In EEC member countries, the regulation in force calls for the external equipotential terminal ∇ on the outer part of the appliance's base plate to be connected to a equipotential node if the installation is to be correct.
- The appliance is suitable for indoor use only. Do not use the appliance outdoor.
- Thoroughly clean the appliance at the first installation; follow the instructions in chapter 9 and 14.
- Do not install the appliance near to water dispenser or similar product that could throw water jet on the appliance.

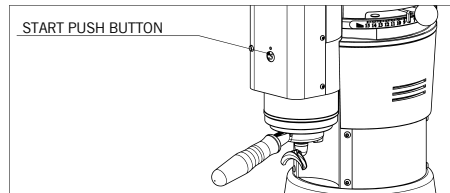
PRELIMINARIES



Make sure the hopper is positioned correctly on the appliance and fixed to the casing with relevant pins.

Close the locking slide and fill the hopper with coffee beans. Open the locking slide so that the beans are allowed to drop into the grinding system.

SWITCHING THE APPLIANCE ON AND OFF



In order to power up the appliance, turn the on-off switch knob to I.

Engage the filter holder directly to the appliance (**apply only a light amount of torque; if the grinder shifts on the counter top, you are using too much force**).

Once the filter holder is engaged, start the grinding in this way: push the start button to grind, dispense and tamper a double dose.

The red indicator lights located above the start button is illuminated when the appliance is grinding and tamping.

8. Operation of the appliance

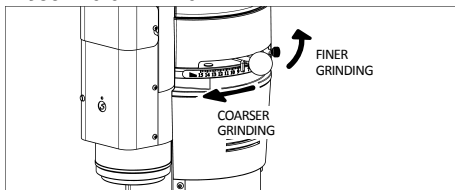
When the volume of ground coffee in the filter holder reaches the set level, the grinding motor turns off. The tamping motor continues to run for a few seconds, “polishing” the tamped coffee.

Once the red light is no longer illuminated, you may remove the filter holder from the grinder and engage it into the espresso machine.

If when you push the start button the red indicator lights will flash, is occurring at least one of the following conditions:

- You attempted to start the process with a full filter holder.
- The safety timer has run out due to an empty bean hopper, a closed locking slide, or a plugged bean hopper chute.
- There is no filter holder engaged in the appliance.

ADJUSTING GRINDING



In order to achieve finer or coarser grinding, move the grinding adjustment level. To increase the coarseness of the ground coffee, the adjustment level must be rotated clockwise; to increase the fineness, turn the level anticlockwise.

The adjustment level remains in the chosen position without having to be locked in place. The adjustment must be performed with the motor on, and preferably without any coffee between the grinding blades. Grind small amounts of coffee in order to determine the optimal degree of fineness.

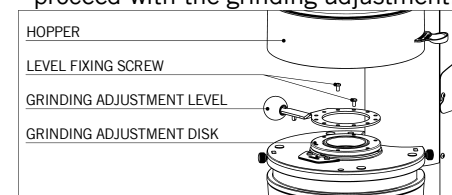
Before checking the fineness of the ground coffee, grind some doses of coffee to fill the duct between the grinding area and the outlet.

This operation must be done whenever the grinding setting has been changed in order to empty the duct of the previous ground coffee. The change of the grinding setting might vary the weight of the doses. Therefore adjust the doses only after the grinding setting.

In case the range of grinding adjustment is not enough, to get the requested grinding set, please proceed as the following:

- close the locking slide and switch the grinder off;
- unscrew the check pins of the coffee bean hopper and remove it;
- remove the screws which fix the grinding adjustment level into the grinding adjustment disk and remove the level;
- fit back the level and put the holes in line with the ones of the adjustment disk so to allow a wider grinding adjustment;
- tighten the screws of the level into the adjustment disk;

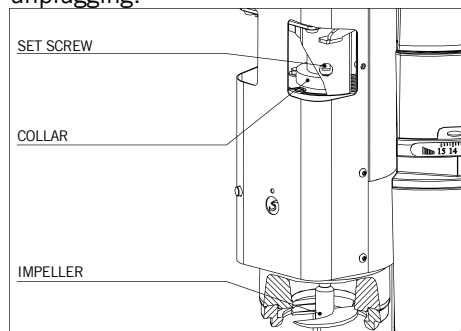
- put the hopper back;
- only after having secured the hopper into the grinder cabinet by tightening the pins, open the locking slide and proceed with the grinding adjustment.



If the coffee comes out of the espresso coffee machine very quickly, it means the coffee is ground too coarse. Vice versa, if it comes out too slowly, it means the coffee is ground too fine. Nonetheless, bear in mind that there are many conditions liable to influence the correct supply, such as the weight of the portions, the compacting, the espresso machine settings, and the cleaning of the filters.

COFFEE DOSE ADJUSTMENT

The coffee dose adjustment must be done solely by skilled technical personnel only after disconnecting the appliance from the power supply by unplugging.

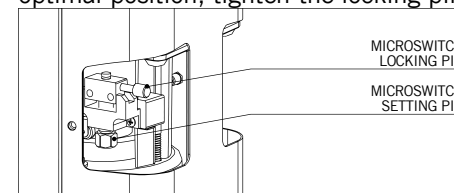


It is possible to change the dosage quantity by raising or lowering the height of the impeller.

Proceed as following:

- remove the tamper window by loosening the screws;
- loosen the set screw in the collar of the tamper shaft coupling.
- holding the tamper shaft coupling in place, rotate the impeller in the direction desired. To increase the dosage amount, turn the impeller clockwise, as viewed from below. To decrease the dosage amount, turn the impeller counter-clockwise, as viewed from below. Approximately, one 360° turn is equivalent to 1 gram of coffee.
- ensure that the set screw is against the flat side of the tamper shaft. Retighten the set screw in the collar of the tamper shaft coupling.

Finer adjustment of the dose can be given by moving the full limit microswitch. Loosen the microswitch locking pin. Change the height of the full limit microswitch by rotating the setting pin and, once obtained the optimal position, tighten the locking pin.



Before reconnecting the appliance to the power supply, fix the tamper window in correct position by relevant screws.



9. Warnings regarding operation

- Do not leave the appliances turned ON without coffee in the hopper.
- Do not insert, when filling the hopper with coffee beans, foreign objects. Handle with clean hands.
- After any hopper filling and in normal use of the appliance, the hopper lid must be positioned correctly.

• FIRST INSTALLATION

For the correct use of the grinding blades, at the first installation or whenever the grinding blades have been replaced, grind some doses of coffee (approximately 1kg). Do not use those first doses.

• OPERATING RANGE OF THE MOTOR

IN THE VERSIONS WITH SINGLE-PHASE MOTORS, OBSERVE THE DUTY CYCLE STATED IN THE LABEL LOCATED ON THE SIDE OF THE APPLIANCE.

E. g. : a data on the label 35s ON / 45s OFF points out an allowed duty cycle of 35 seconds switched on and 45 seconds switched off.

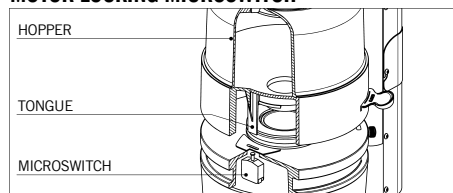
10. Safety devices

THERMAL OVERLOAD PROTECTION

The appliance's motor is protected against overheating resulting from over-currents by a thermal overload protection which, when tripped, cuts off the power supply to the motor. Should the protection trip as a result of anomalous operation, such as the grinding blades jamming, the appliance must be turned off using the on-off switch, UNPLUGGED FROM THE MAINS, AND SKILLED TECHNICAL PERSONNEL CONTACTED. NEVER PERFORM ANY WORK ON THE APPLIANCE WHILE IT

IS ATTACHED TO THE MAINS, TO AVOID THE RISK THAT MOTOR TURNS ON SUDDENLY. If the appliance overheats as a result of the motor stopping, allow the appliance to cool down before performing any repair work.

MOTOR LOCKING MICROSWITCH



The system that protects against accidental contact with the rotating parts of the grinding system consists of a microswitch, situated under the body of the appliance, that cuts the electricity to the motor.

The push button that controls this device is operated by a tongue in the collar of the hopper. If the hopper is removed or not properly in place, the microswitch prevents the appliance from working. To ensure the hopper is positioned correctly it must be fixed to the casing using the relevant pins.



This electrical appliance must be used in conformity with the rules in force governing safe operation.

- WHEN OPERATING THE APPLIANCE, BEWARE OF THE MOVING MECHANICAL PARTS' IN THE AREA OF THE GRINDING BLADES AND OF THE GROUND COFFEE OUTLET. BEFORE REMOVING THE HOPPER FROM THE GRINDING SYSTEM, DISCONNECT THE POWER SUPPLY. AVOID REMOVING FOREIGN BODIES FROM THE GRINDING SYSTEM OR HOPPER WITHOUT FIRST UNPLUGGING THE APPLIANCE FROM THE MAINS.
- Take care, as the grinding blades may continue rotating for a short while even after the appliance is switched off.
- THE USER IS NOT AUTHORIZED TO

REMOVE SCREWS OR ANY PARTS SCREWED ONTO THE APPLIANCE OR TO SABOTAGE THE ELECTRICAL CIRCUIT.

- In the event the appliance is not working properly or is faulty, contact skilled technical personnel, and do not attempt to make repairs yourself.
- BEFORE PERFORMING ANY WORK ON THE APPLIANCE, INCLUDING CLEANING AND/OR MAINTENANCE, DISCONNECT IT FROM THE POWER SUPPLY BY UNPLUGGING. TURNING OFF THE APPLIANCE USING ITS MASTER SWITCH DOES NOT ASSURE THE SAME CONDITIONS OF SAFETY.
- Do not sabotage the appliance.
- When the appliance is left unattended,

11. Warnings regarding safety

the appliance's power supply must be disconnected using its master switch (for example, at night, during work breaks, midweek closing or holidays).

- Do not let liquids of any kind come into contact with the internal or external parts of the appliance.
- Never put ground coffee in the hopper intended only for coffee beans.
- DO NOT TUG ON THE SUPPLY CABLE TO UNPLUG THE APPLIANCE FROM THE MAINS.
- Do not touch the appliance with damp or wet hands or feet.
- Do not use the appliance barefoot.

The manufacturer cannot be held responsible for bodily injury or damage to property if these regulations are not complied with.



12. Noise level

EEC Countries:

The maximal noise emission of our appliances (valued as acoustic power) is 81 dB(A).

The daily personal noise exposure of a worker, due ONLY to an appliance's limit operation of 240 minutes per eight hours, is 78 dB(A), according to European Directive 86/188/EEC and

European Directive 2003/10/EC.

Therefore during the appliance's normal operation, no provisions are to be taken in order to prevent such risks arising or likely to arise from noise exposure at work (articles 3-8 of European Directive 2003/10/EC).

USA & Canada:

The noise level of our appliances is

included within the limits stated in U.S. regulation 29 CFR 1910. 95 ('*Occupational Health and Environment Control - Occupational noise exposure*') for eight hours continuously in a day (in reference to a noise exposure due solely to appliance operation).

Said noise level has been determined on identical news appliances.

13. Maintenance

It is essential to check the state of the supply cable and plug periodically.

IN THE EVENT THE SUPPLY CABLE OR PLUG ARE DAMAGED, CALL IN SKILLED TECHNICAL PERSONNEL TO REPLACE THEM, THIS TO PREVENT ANY RISK.

IN CE-CERTIFIED APPLIANCES, A SPECIAL TOOL IS REQUIRED TO

OPEN THE BASE PLATE TO GET AT THE CABLE.

It is recommended to use original spare parts only.

In order to assure the lasting efficiency of the appliance, skilled technical personnel must be called in to perform periodical maintenance, including detailed checks of the state of those

components subject to wear.

The state of the grinding blades must be checked periodically. Keeping the grinding blades in an excellent state assures high-quality grinding, resulting in greater productivity and limited overheating.



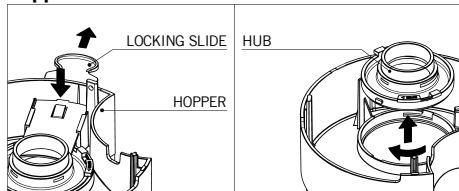
DISCONNECT THE APPLIANCE'S POWER SUPPLY BY UNPLUGGING IT BEFORE CLEANING. THE APPLIANCE MUST NOT BE CLEANED USING WATER JETS.

Do not install the appliance in rooms where water jets are used for cleaning. THE APPLIANCE MUST BE CLEANED PERIODICALLY BY SKILLED TECHNICAL PERSONNEL ONLY.

Use perfectly clean, disinfected cloths or brushes for cleaning.

Do not use abrasive products as these are liable to take the sheen off shiny parts.

Hopper



Wash the hopper once it has been removed from the appliance, using neutral soap and water, rinse abundantly with lukewarm and dry thoroughly.

To clean the internal surfaces it is necessary to remove the hopper, slip off

the locking slide by pushing down the click. Then turn the hub clockwise and lift to remove it (see picture).

It is advisable to clean the hopper periodically.

To reassemble completely the hopper please proceed in the reverse order with previous instructions.

Once the hopper has been cleaned it must be put back on the appliance properly fixing it with the relevant pins.

Grinding system

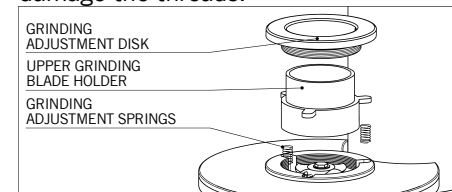
As explained in the paragraph "ADJUSTING GRINDING" remove the hopper and the adjustment level.

Unscrew the adjustment disk by turning it clockwise. After having removed the upper blade holder, clean the grinding blades, threads and the entire system thoroughly using a clean brush or cloth. To clean the threads of the grinder please use a small wire brush.

We recommend to check that the threads of the grinder and of the grinding adjustment disk are clean: to do so screw the adjustment disk anticlockwise

without the upper blade holder until the

end. If the grinding adjustment disk can not turn easily, than it is necessary to clean again. If the cleaning operations are not done as above the risk is to damage the threads.

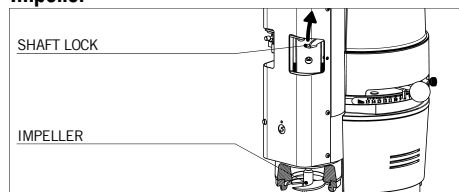


Please check that the grinding adjustment springs are on their place. Having refitted the upper grinding blade holder in the relevant slot, please lubricate, with grease suitable for food contact, the threads of the grinding adjustment disk and its underneath surface which touches the upper grinding blade holder. Screw the adjustment disk by turning it anticlockwise, place the adjustment level and fix it on adjustment disk with the relevant screws

After having refitted the hopper properly adjust grinding as required.



Impeller



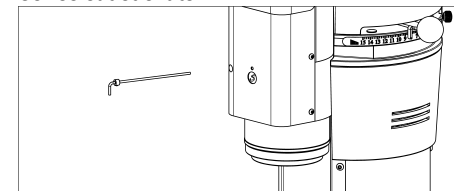
The impeller must be cleaned only by skilled technical personnel, **after disconnecting the appliance from the power supply**, according to the following instructions:

- Remove the tamper window by loosening the screws;
- Press and hold upward the shaft lock to prevent the shaft from turning;
- With your thumb and forefinger, press against the impeller flats. Turn the

impeller clockwise, as viewed from below, to remove;

- With the impeller out, clean around the bayonet ring with a clean brush or cloth and wipe loose grounds from this area;
- Insert the cleaning brush into the coffee collection area above the impeller and again wipe loose grounds away;
- Clean the impeller with a soft, dry cloth;
- Reinstall the impeller by turning counter clockwise;
- Before reconnecting the appliance to the power supply, fix the tamper window in correct position by relevant screws.

Coffee outlet chute



The cleaning of the coffee outlet chute must be made by the insertion of the tool [5.372.5](#) into the hole (caution when moving the tool).

Produced by:

Mazzer Luigi srl

Via Moglianese, 113 – 30030 Gardigiano di Scorzè (Venezia) - Italy

E-mail: mazzer@mazzer.com - <http://www.mazzer.com>

All right reserved. It is prohibited to reproduce, adapt or translate this document without prior written authorization.

First Edition: 2013
Last Revised: VS03 02/2015