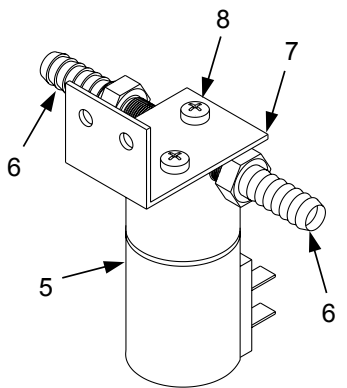


INSTALLATION INSTRUCTIONS

WATER SPIGOT (PN 82-1580)

ITEM	PN	DESCRIPTION	QTY	ITEM	PN	DESCRIPTION	QTY
1	48-1090	Tube Assy, Water Spigot	1	15	12-0216	Boot, Switch	1
2	19-0165	Faucet, Aerator	1	16	52-1955	MOV/Fast-On Assy	1
3	04-0768	Hex Nut, 5/16 - 24	1	17	04-0510	Screw, Phillips, 8 - 18 x 0.500	2
4	07-0409	Clamp, Oetiker, 31/64	4	18	30-6511	Solenoid Bracket (Soft Plumb)	1
5	17-0500	Solenoid Valve	1	19	04-0148	Screw, Phillips, 10 - 32 x 0.250, Slotted	2
6	01-0243	Hose Stem	2	R 20	52-2211	Harness Assy, "Y", (2) 1/4 SPA - 1/4 FO	1
7	30-6179/02	Solenoid Bracket (Plug In)	1	R -	28-0264/03	Instruction Sheet	1
8	04-0320	Screw, 8 - 32 x 0.187	2	R in margin indicates change or revision			
9	08-0029	Tubing, 0.250 ID x 0.437 OD	6 FT				
10	12-0199	Switch, Water Spigot	1				
11	52-1535	Wire Assy, Black, Spigot	2				
12	52-1536	Wire Assy, White, Spigot	1				
13	01-0244	Hose Stem, 7 - 16 - 20M x 1/4 Barb	1				
R 14	11-0214	Connector, 1/4 Fast-on, 2M to 1F	1				



WATER SOLENOID ASSEMBLY (ASSEMBLED) (PN 82-1582)

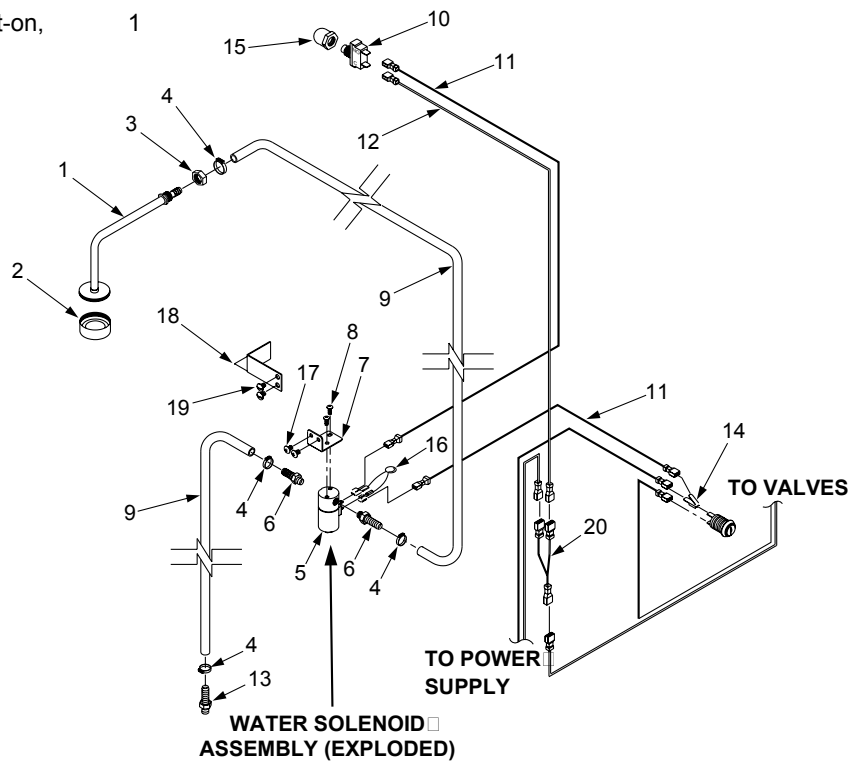


Figure 1

1. INSTALLATION PROCEDURES

1.1 PREPARATION

- A. Turn Key Switch OFF.

WARNING

UNPLUG THE POWER CORD FROM ELECTRICAL OUTLET TO PREVENT POSSIBLE FATAL ELECTRIC SHOCK OR PERSONAL INJURY.

- B. Unplug power cord from electrical outlet.
C. Remove Tower Cap, Cup Rest, Drip Tray, and Splash Plate from Tower Body.

LANCER

6655 LANCER BLVD. • SAN ANTONIO, TEXAS 78219 USA • (210) 310-7000

FAX SALES

• NORTH AMERICA – 210-310-7245 • INTERNATIONAL SALES – 210-310-7242 • CUSTOMER SERVICE – 210-310-7242 •
• LATIN AMERICA – 210-310-7245 • EUROPE – 32-2-755-2399 • PACIFIC – 61-8-8268-1978 •

FAX ENGINEERING: • 210-310-7096

"Lancer" is the registered trademark of Lancer • Copyright — 1999 by Lancer, all rights reserved.

DATE: 05/17/99
P.N.: 28-0264/03

1.2 SELECTING LOCATION

NOTE

For convenience, the Water Spigot Kit is designed for installation on the Left or Right side of the Tower Body.

- A. Remove the cap/plug from the Tower Body (Upper Side).
- B. Remove the cap/plug from the Faucet Plate.

1.3 PLUMBING INSTALLATION (SEE FIGURE 2)

- A. Install Tube Assembly (PN 48-1090) in exposed hole in the Faucet Plate corresponding to the same side as the Pushbutton Switch. Attach the Tube Assembly with Locknut (PN 04-0768).
- B. Install Aerator Faucet (PN 19-0165) into Tube Assembly.
- C. Attach Flex Tubing (PN 08-0029) to barb fitting of Tube Assembly. Secure with one (1) Clamp (PN 07-0409).
- D. Route Flex Tubing over the top of the Foam Manifold Assembly (if kit is installed on left side) and down right side of Tower Body. Expose Flex Tubing at base of Tower.

NOTE

If kit is installed on right side, route Flex Tubing down right side *only*, as described above.

- E. Locate the two (2) holes on the bottom front of the Prybar.
- F. Install Water Solenoid Assembly (PN 82-1582, see Figure 1) to bottom front of Prybar and attach with the two (2) self-tapping Screws (PN 04-0510).

NOTE

An additional bracket (PN30-6511) has been supplied to be used with units not having a Prybar. Before mounting to bracket, assemble Items 5, 6, 8, and 18, see Figure 1). The bracket will be mounted on the right side of the tower and attached with two (2) screws (PN 04-0148) (see Figure 2).

- G. Cut Flex Tubing to length.

NOTE

Allow adequate length to avoid kinks or crimping.

- H. Attach end of Flex Tubing from Tube Assembly to fitting labeled "OUT" on Water Solenoid Assembly. Clamp with one (1) Clamp (PN 07-0409).
- I. Attach one end of remaining Flex Tubing to fitting labeled "IN" on Water Solenoid Assembly. Clamp with one (1) Clamp (PN 07-0409).
- J. Feed Flex Tubing through wire chase in Tower Base and out bottom and rear of unit.
- K. Install Barb Fitting (PN 01-0244) in end of Flex Tubing. Clamp with one (1) Clamp (PN 07-0409).

CAUTION

IF WATER SOURCE EXCEEDS 50 PSIG (3.52 KG/CM²), A RECOMMENDED WATER REGULATOR ASSEMBLY MUST BE USED TO LIMIT WATER PRESSURE TO 50 PSIG (3.52 KG/CM²). FAILURE TO USE REGULATOR WILL RESULT IN IMPROPER PERFORMANCE OF DISPENSER.

- L. Connect regulated water supply to Barb fitting.

1.4 ELECTRICAL INSTALLATION (SEE FIGURE 3)

- A. Connect black Wire Assembly (PN 52-1535) and white Wire Assembly (PN 52-1536) to Pushbutton Switch (PN 12-0199) terminals.
- B. Install Pushbutton Switch in exposed hole in the Tower Body.
- C. Route wires over top of Foam Manifold Assembly (if kit is installed on left side) and down right side of Tower Body. Expose wire ends at base of tower.

NOTE

If kit is installed on right side, route wires down right side *only* as described above.

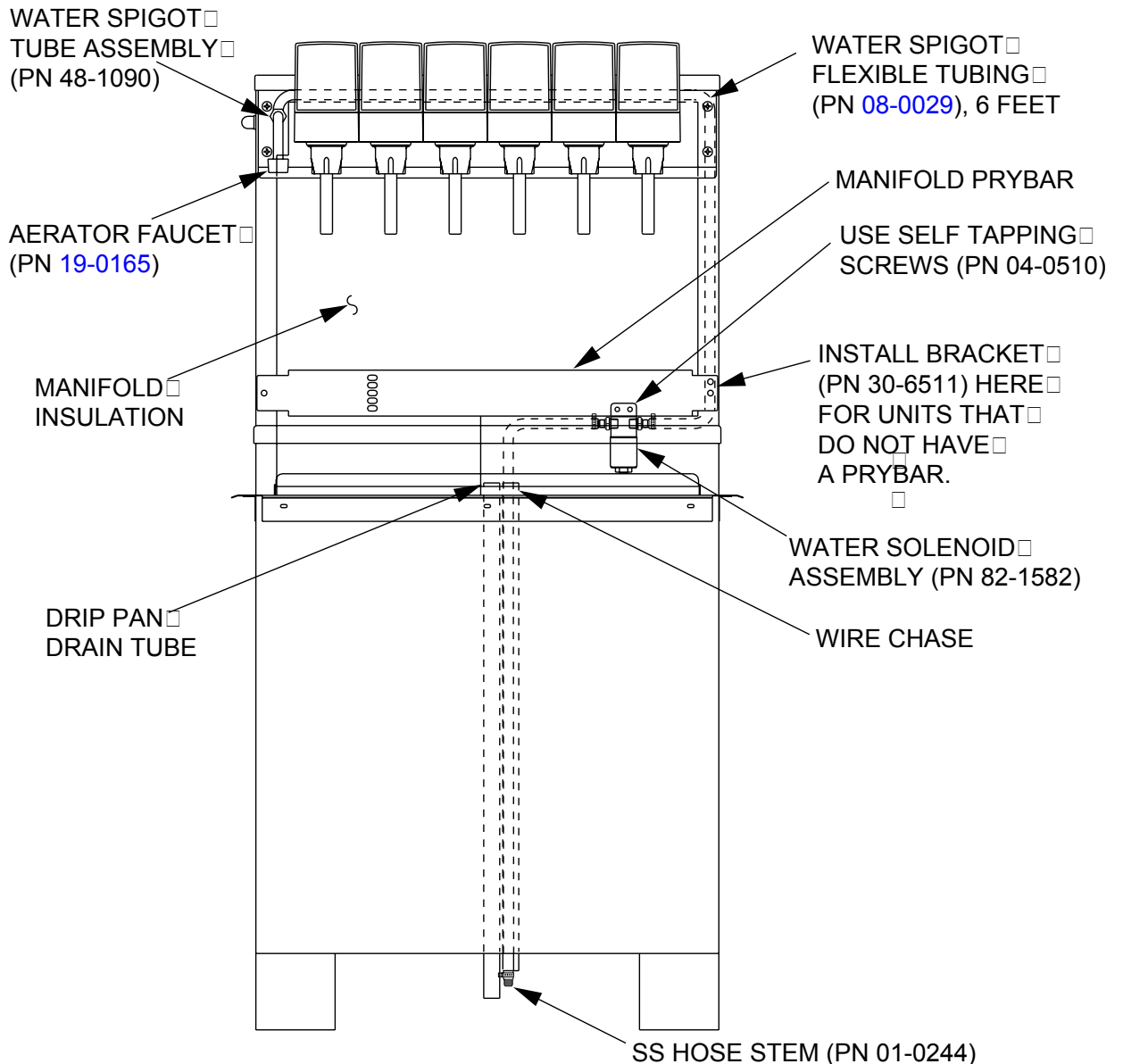
- D. Install one (1) Faston Terminal (PN 11-0214) to upper Key Lock Switch terminal.
- E. Install one (1) Wire Harness "Y" (PN 52-2211) on the existing white Transformer wire.
- F. Connect white Wire Assembly (PN 52-1536) from Pushbutton Switch to Wire Harness "Y" (PN 52-2211) on the white Transformer wire.
- G. Connect black Wire Assembly (PN 52-1535) from Pushbutton Switch to upper Water Solenoid Assembly terminal.
- H. Connect black Wire Assembly (PN 52-1535) to lower Water Solenoid Assembly terminal and to upper Key Lock Switch terminal.

1.5 TEST FOR PROPER OPERATION

- A. Plug power cord into electrical outlet.
- B. Turn Key Switch ON.
- C. Depress Pushbutton Switch and observe water flow.
- D. Check for leaks at fittings.

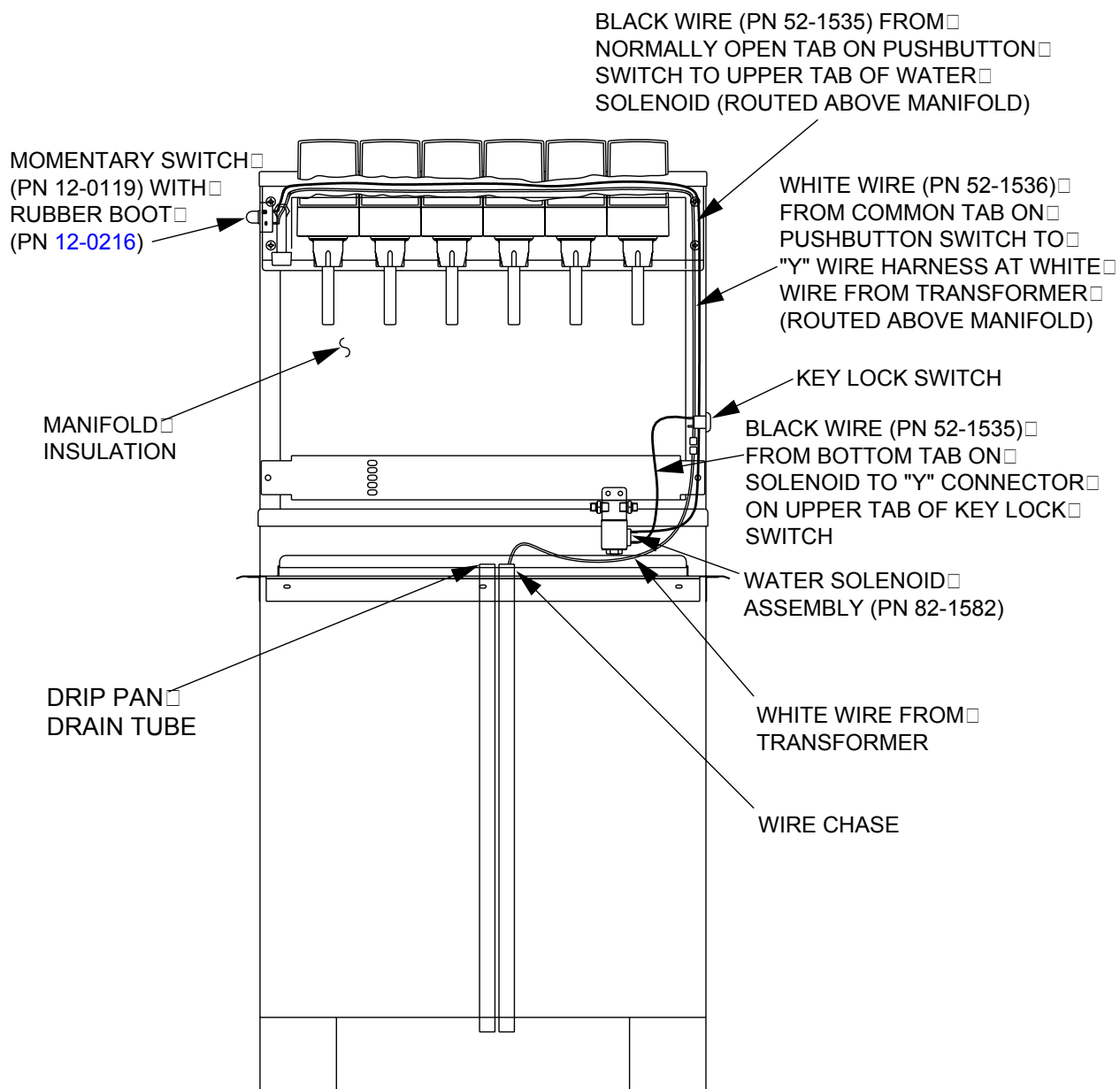
1.6 RETURN DISPENSER TO OPERATION

- A. Install Splash Plate, Drip Tray, Cup Rest, and Tower Cap.



Plumbing Installation

Figure 2



**Electrical Installation
Figure 3**