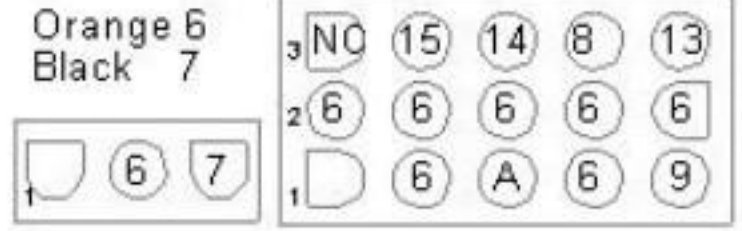
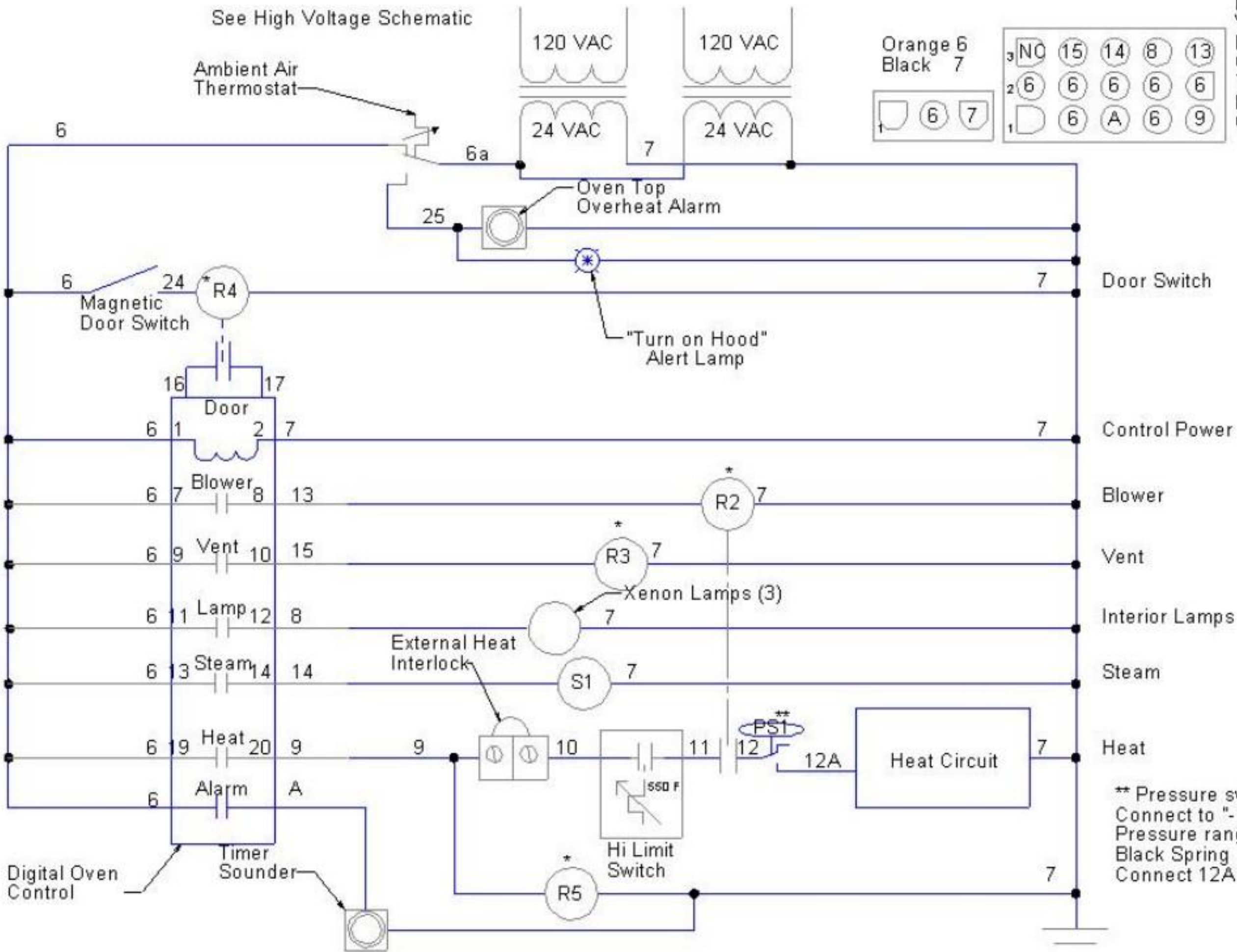


High Voltage Circuit

See High Voltage Schematic

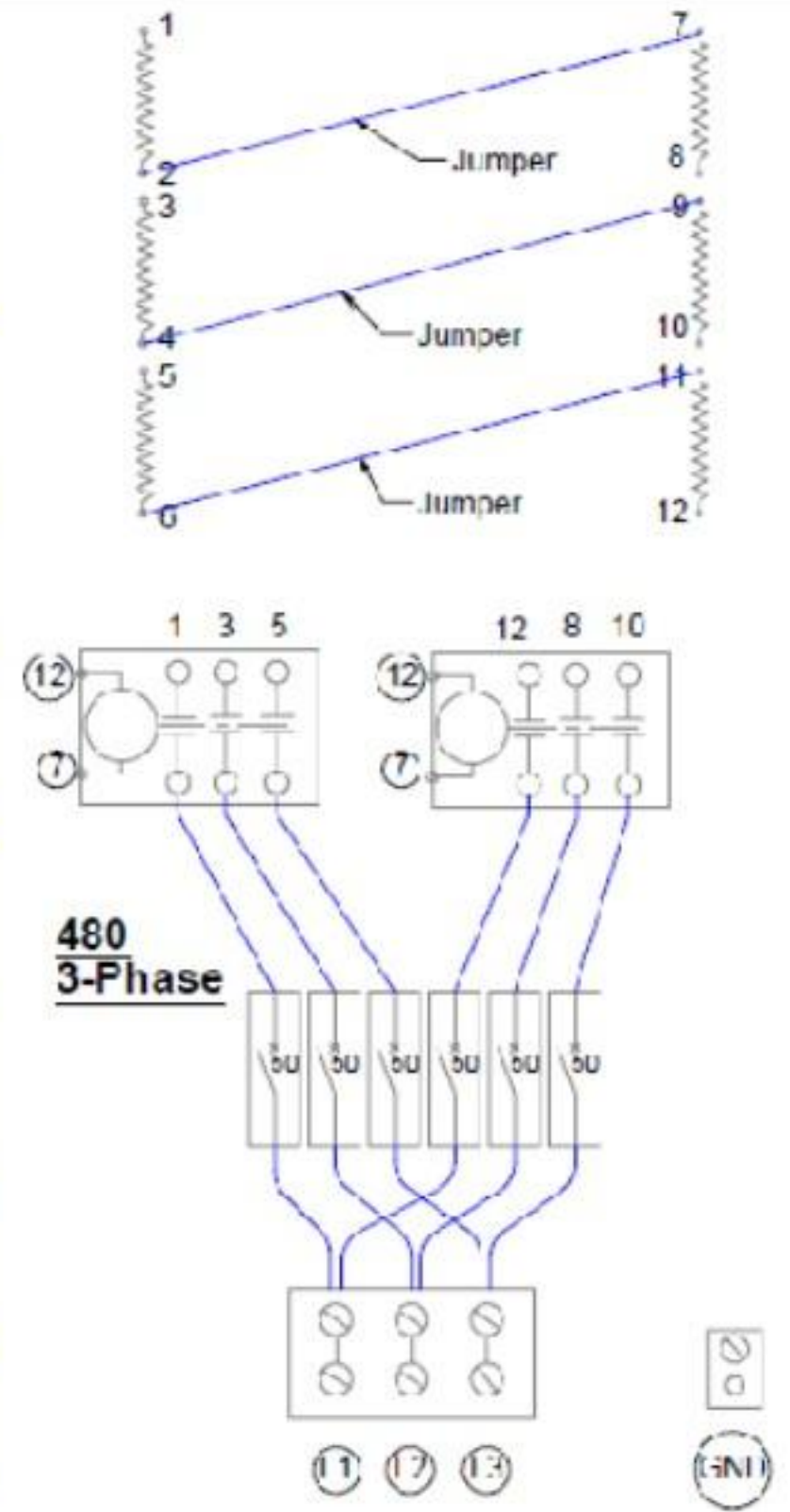
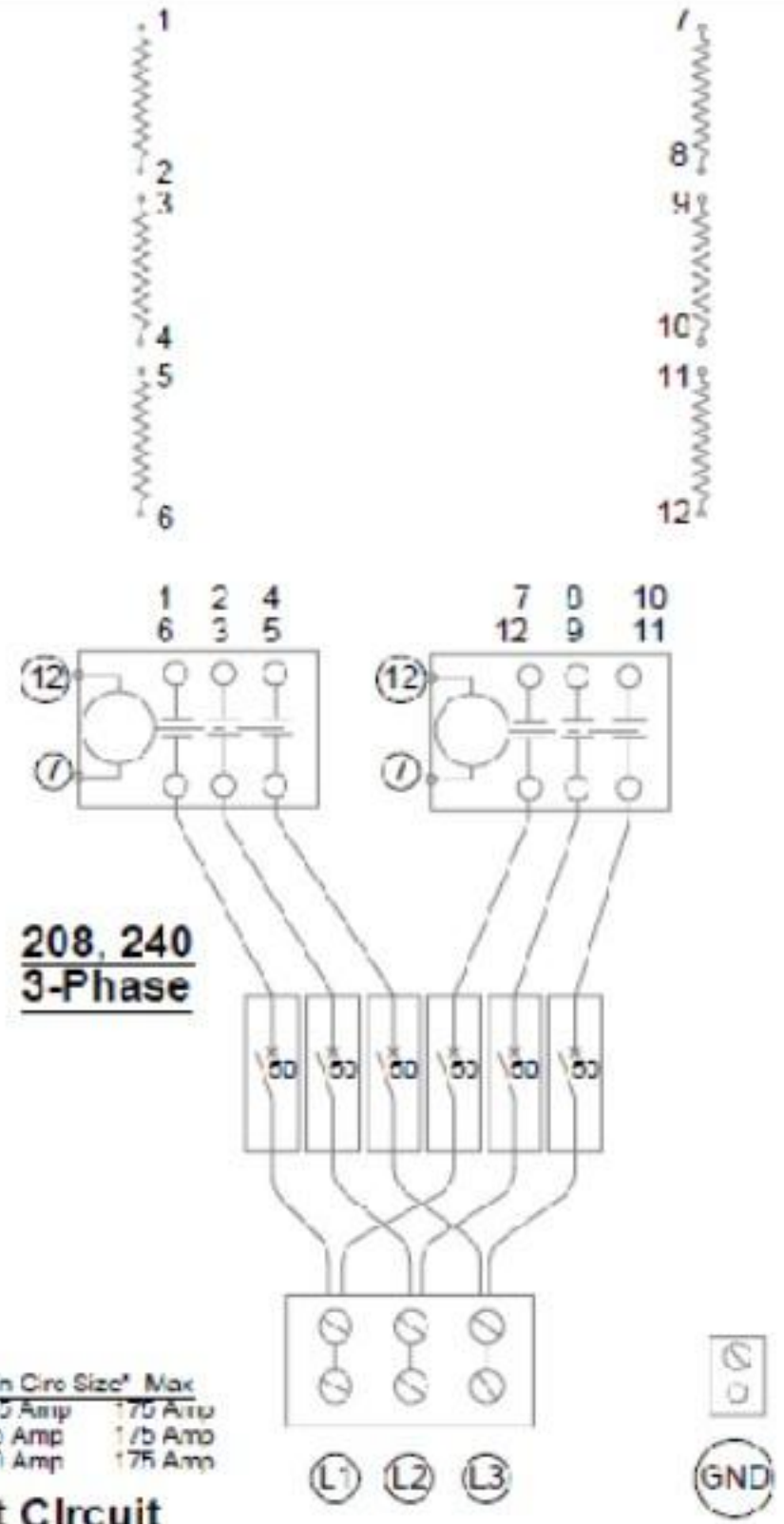
Brown	NC, 6
Violet	15, 6
Blue	14, 6
Green	8, 6
Yellow	13, 6
Red	9, 6
Orange	A, 6



Low Voltage Circuit

** Pressure switch config
 Connect to "-" side
 Pressure range 0" to 0.1"
 Black Spring
 Connect 12A to NO

Electrical Schematic,
Heating Circuit
LMO Max-E Ovens



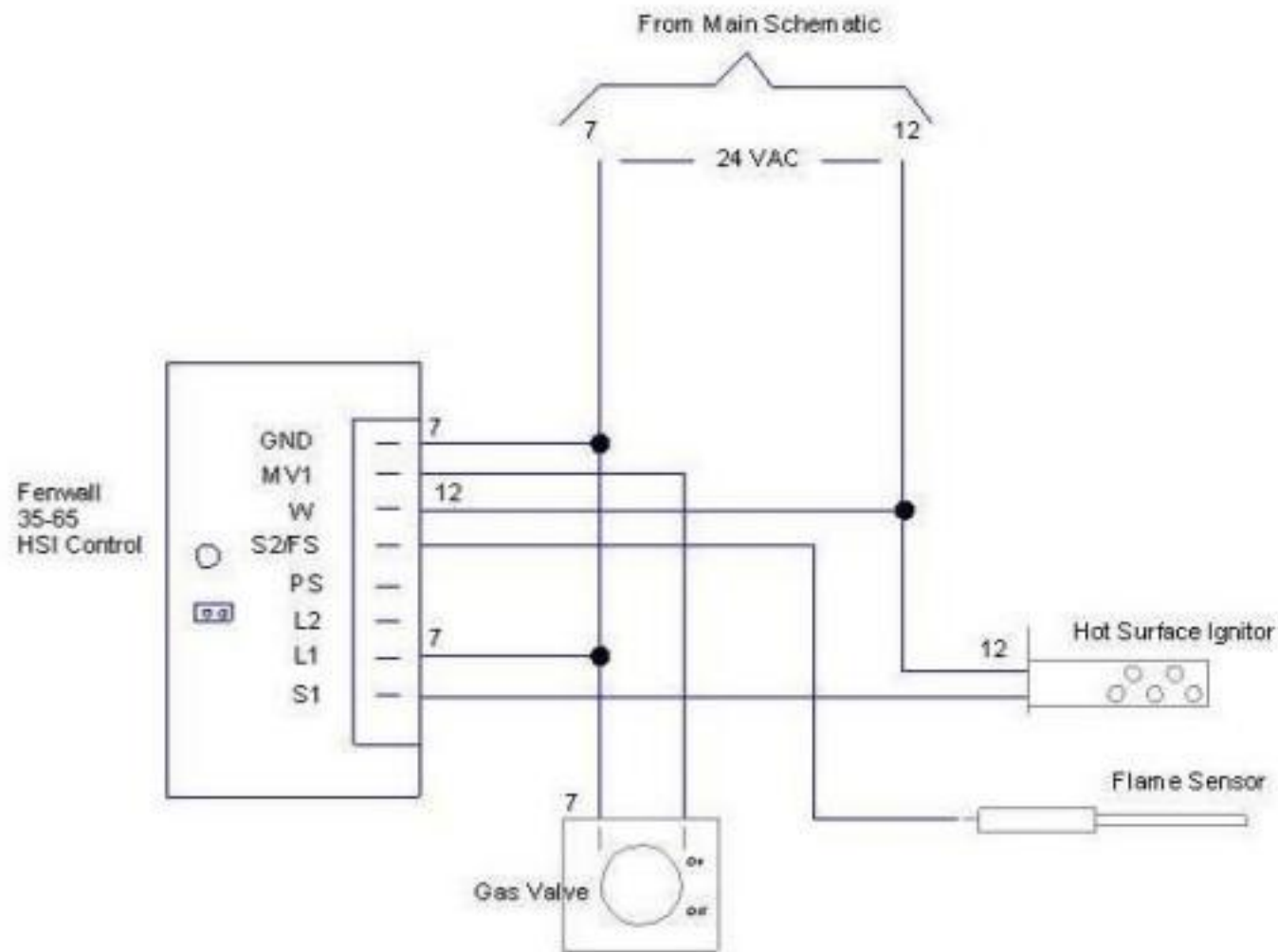
Branch Circuit Loads:	KW	L1	L2	L3	Min Circ Size*	Max
208 VAC, 3 Phase,	24kW	00.0	00.0	3000	85 Amp	175 Amp
240 VAC, 3 Phase,	24kW	58.0	58.0	58.0	75 Amp	175 Amp
480 VAC, 3 Phase,	24kW	29.0	29.0	29.0	40 Amp	175 Amp

Electric Heat Circuit



UNLESS OTHERWISE SPECIFIED
DIMENSIONS ARE IN INCHES (TYPICAL)
TOLERANCES ARE:
DECIMALS ANGLES
X = ± .05 ± .07
XX = ± .03
XXX = ± 0.15

MATERIAL PART #:	MATERIAL TYPE:	BLANK DIMS.	X	MODEL:
OWN. BY: 3H	OWN. DATE: 12/4/2015	CHK. BY:	CHK. DATE:	APP'D BY:
DESCRIPTION: Schematic for LMO Ovens				APP'D DATE:
DWG. NO: 61111-1(H)-2			SHEET 3 OF 7	
REV:			REV:	



Gas Heat Circuit