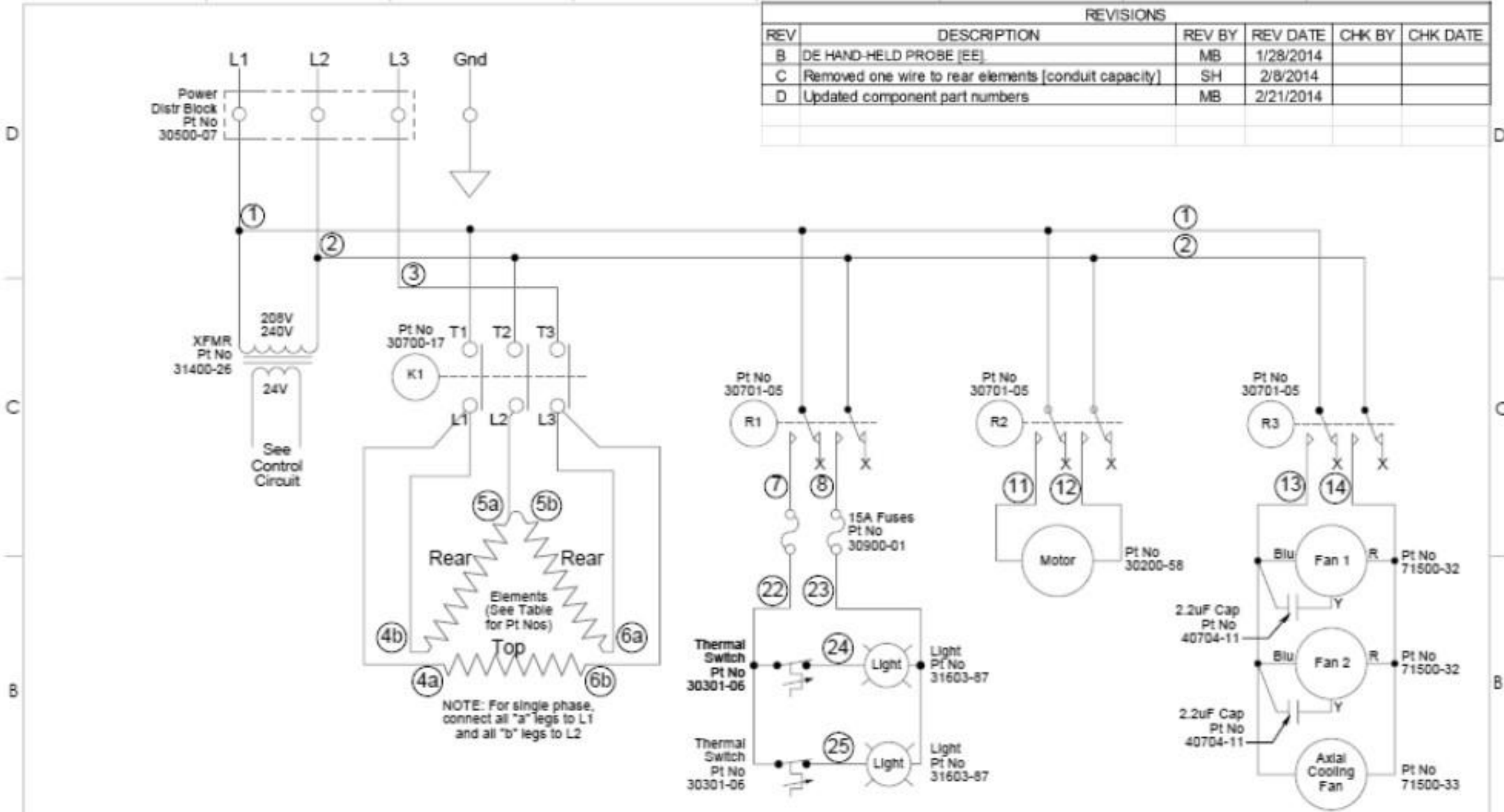


| REVISIONS |  |        |           |        |          |
|-----------|--|--------|-----------|--------|----------|
| REV       | DESCRIPTION  | REV BY | REV DATE  | CHK BY | CHK DATE |
| B         | DE HAND-HELD PROBE [EE]                              | MB     | 1/28/2014 |        |          |
| C         | Removed one wire to rear elements [conduit capacity] | SH     | 2/8/2014  |        |          |
| D         | Updated component part numbers                       | MB     | 2/21/2014 |        |          |



Heating Element Table

|          | 208/240V, 3ph  | 208/240V, 1ph  |
|----------|----------------|----------------|
| Position | Pt No (kW)     | Pt No (kW)     |
| Upper    | 11090-40 (3kW) | 11090-39 (2kW) |
| Rear     | 180-438 (3kW)  | 180-438 (3kW)  |
| Rear     | 180-438 (3kW)  | 180-438 (3kW)  |

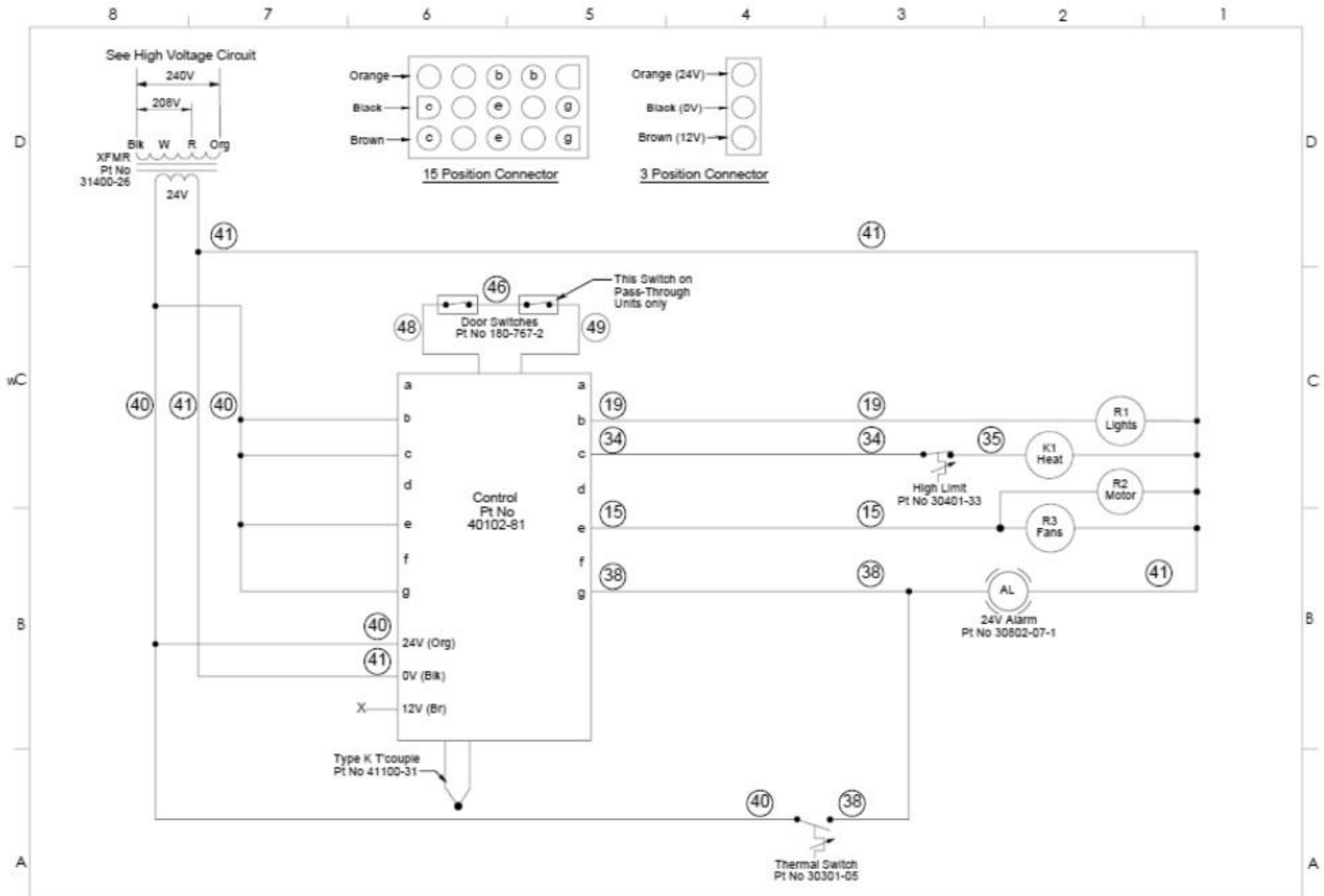
Total Power Input Load

|  | 3ph, 208V | 3ph, 240V | 1ph, 208V | 1ph, 240V |
|--|-----------|-----------|-----------|-----------|
|  | 30.7A     | 26.7A     | 44.2A     | 38.3A     |
|  | 30.7A     | 26.7A     | 44.2A     | 38.3A     |
|  | 25.0A     | 21.7A     | N/A       | N/A       |



UNLESS OTHERWISE SPECIFIED  
DIMENSIONS ARE INCHES (mm's)  
TOLERANCES ARE:  
DECIMALS ANGLES  
X = ±.05 ±.5°  
XX = ±.03  
XXX = ±.015

|  |                      |              |              |             |
|--|----------------------|--------------|--------------|-------------|
| MATERIAL PART #:                                 | MATERIAL TYPE:       | BLANK DIMS.: | X            | MODEL:      |
| DWN. BY: MB                                      | DWN. DATE: 2/21/2014 | CHK. BY:     | CHK. DATE:   | APVD. BY:   |
| DESCRIPTION: Rethermalizer High Voltage Circuits |                      |              |              | APVD. DATE: |
| DWG. NO: 61111-197                               |                      |              | SHEET 1 OF 2 |             |
|  |                      |              | REV: C       |             |



|  |   |  |  |                          |                             |
|--|---|--|--|--------------------------|-----------------------------|
|  | UNLESS OTHERWISE SPECIFIED<br>DIMENSIONS ARE INCHES [mm's]<br><br>TOLERANCES ARE:<br>DECIMALS ANGLE<br>.X = ±.05 ±.5°<br>.XX = ±.03<br>.XXX = ±.015 | MATERIAL PART #:<br>DWN. BY: <b>MB</b> / DWN. DATE: 2/21/2014 / CHK. BY: / CHK. DATE: / APVD. BY: / APVD. DATE: / CAD FILE: / SHEET 2 OF 2 | MATERIAL TYPE:<br>DESCRIPTION: <b>Rethermalizer Control Circuits</b> | BLANK DIMS.: X<br>MODEL: | DWG. NO: 61111-197 / REV: C |
|  |   |  |  |                          |                             |
|  |   |  |  |                          |                             |