

See Page 1
208-240VAC

24 VAC

Deck Oven Control

(2) 41102-22

K-TC
Top

K-TC
Bottom

K-TC
Steam

24VAC

24VAC

Alarm

Steam Valve

Steam Htr.

Lamp

Power

Top Heat -

Common +

Bottom Heat -

(2) 70403-01

Sol. Valve

30802-07-1

Alarm

K3

K1

K2

HL1
Top

HL2
Bottom

HL3
Steam

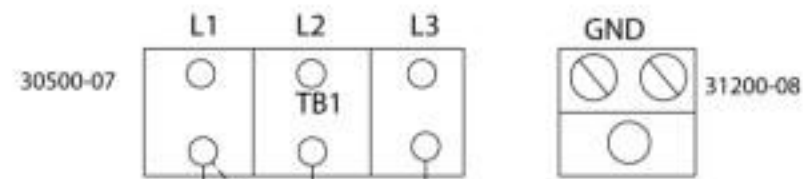
(3) 31401-28

SSR1

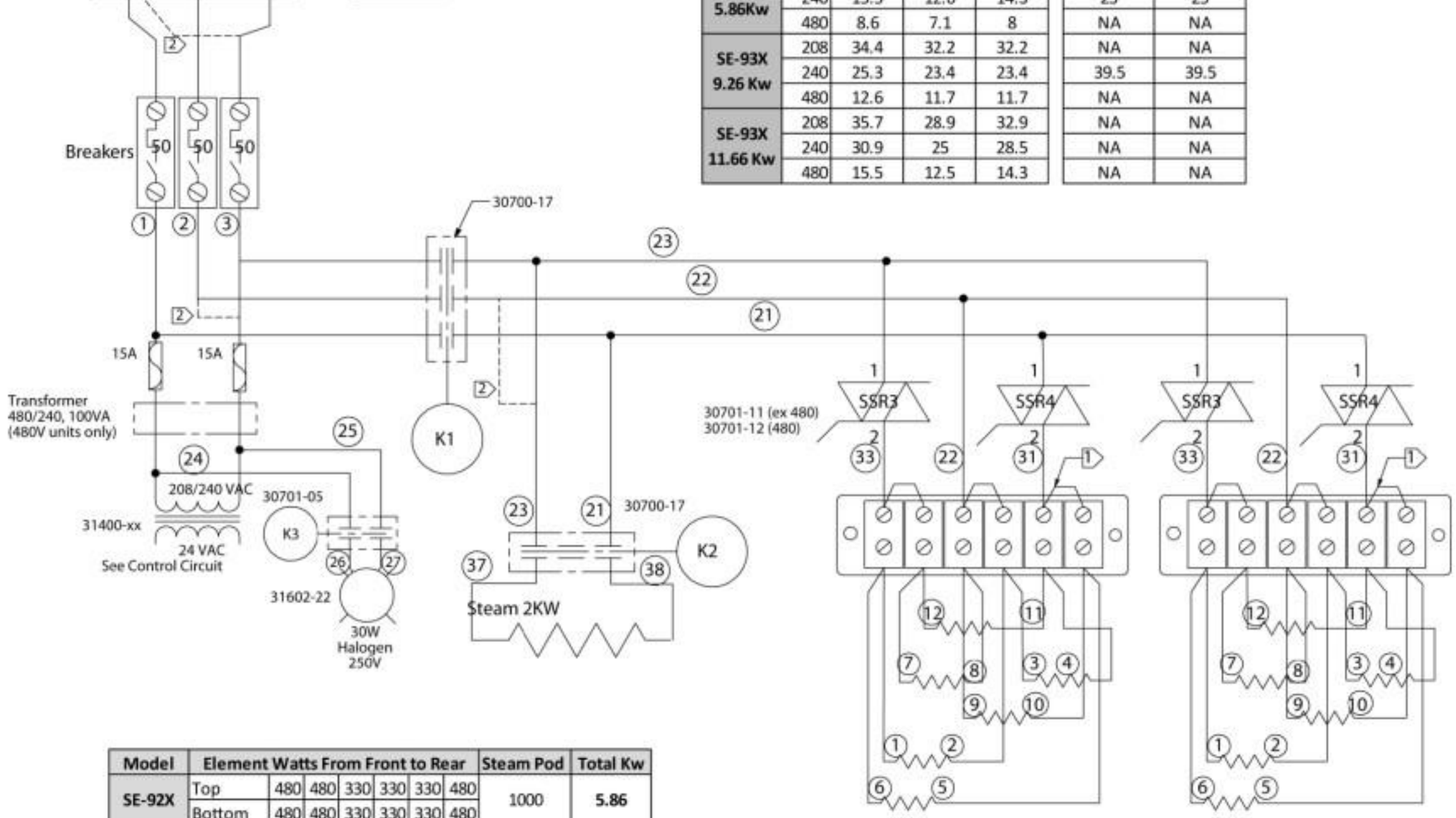
SSR2

SSR3

SSR4



Model	Volts	Three Phase Per Deck			Single Phase Per Deck	
		L1 Amps	L2 Amps	L3 Amps	L1 Amps	L2 Amps
SE-92X 5.86Kw	208	19.5	16.8	18.4	NA	NA
	240	15.5	12.6	14.3	25	25
	480	8.6	7.1	8	NA	NA
SE-93X 9.26 Kw	208	34.4	32.2	32.2	NA	NA
	240	25.3	23.4	23.4	39.5	39.5
	480	12.6	11.7	11.7	NA	NA
SE-93X 11.66 Kw	208	35.7	28.9	32.9	NA	NA
	240	30.9	25	28.5	NA	NA
	480	15.5	12.5	14.3	NA	NA



Model		Element Watts From Front to Rear						Steam Pod	Total Kw
SE-92X	Top	480	480	330	330	330	480	1000	5.86
	Bottom	480	480	330	330	330	480		
SE-93X	Top	720	720	490	490	490	720	2000	9.26
	Bottom	720	720	490	490	490	720		
SE-94X	Top	950	950	660	660	660	950	2000	11.66
	Bottom	950	950	660	660	660	950		

② For single phase: Move wires #11 & #6 to terminal #22
 ① Remove all jumpers for 480V, 6x