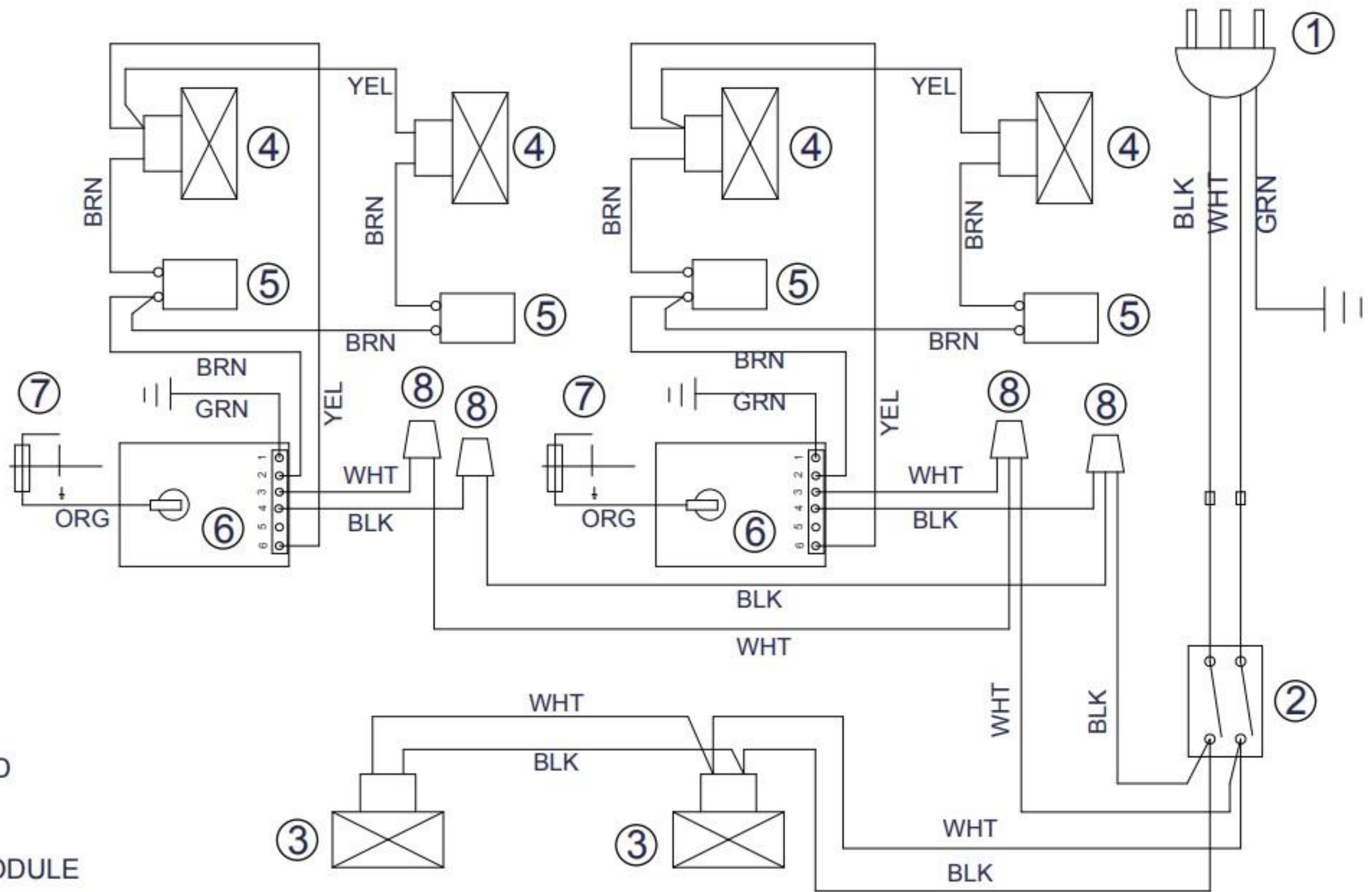


- KEY:
- ① POWER CORD
 - ② ON/OFF SWITCH
 - ③ PILOT SOLENOID
 - ④ BURNER SOLENOID
 - ⑤ THERMOSTAT
 - ⑥ PILOT IGNITION MODULE
 - ⑦ PILOT IGNITOR
 - ⑧ WIRE NUT



KEY:

- ① POWER CORD
- ② ON/OFF SWITCH
- ③ PILOT SOLENOID
- ④ BURNER SOLENOID
- ⑤ THERMOSTAT
- ⑥ PILOT IGNITION MODULE
- ⑦ PILOT IGNITOR
- ⑧ WIRE NUT

