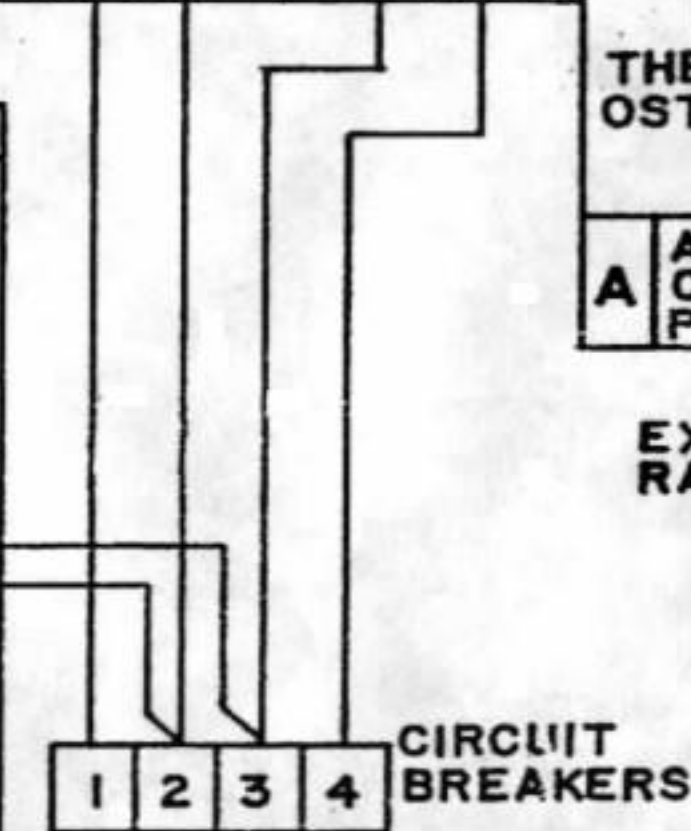
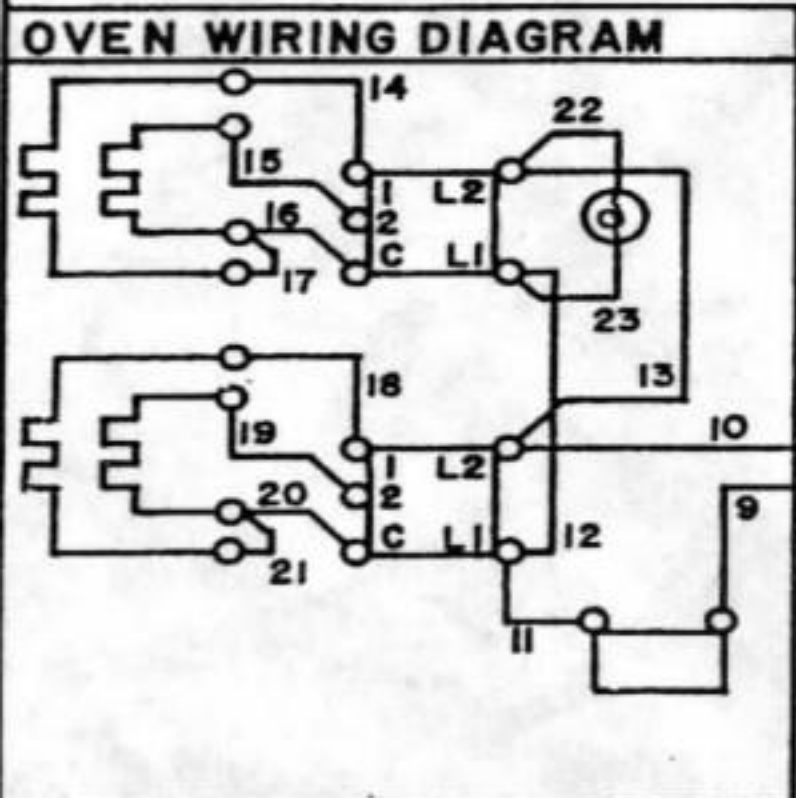
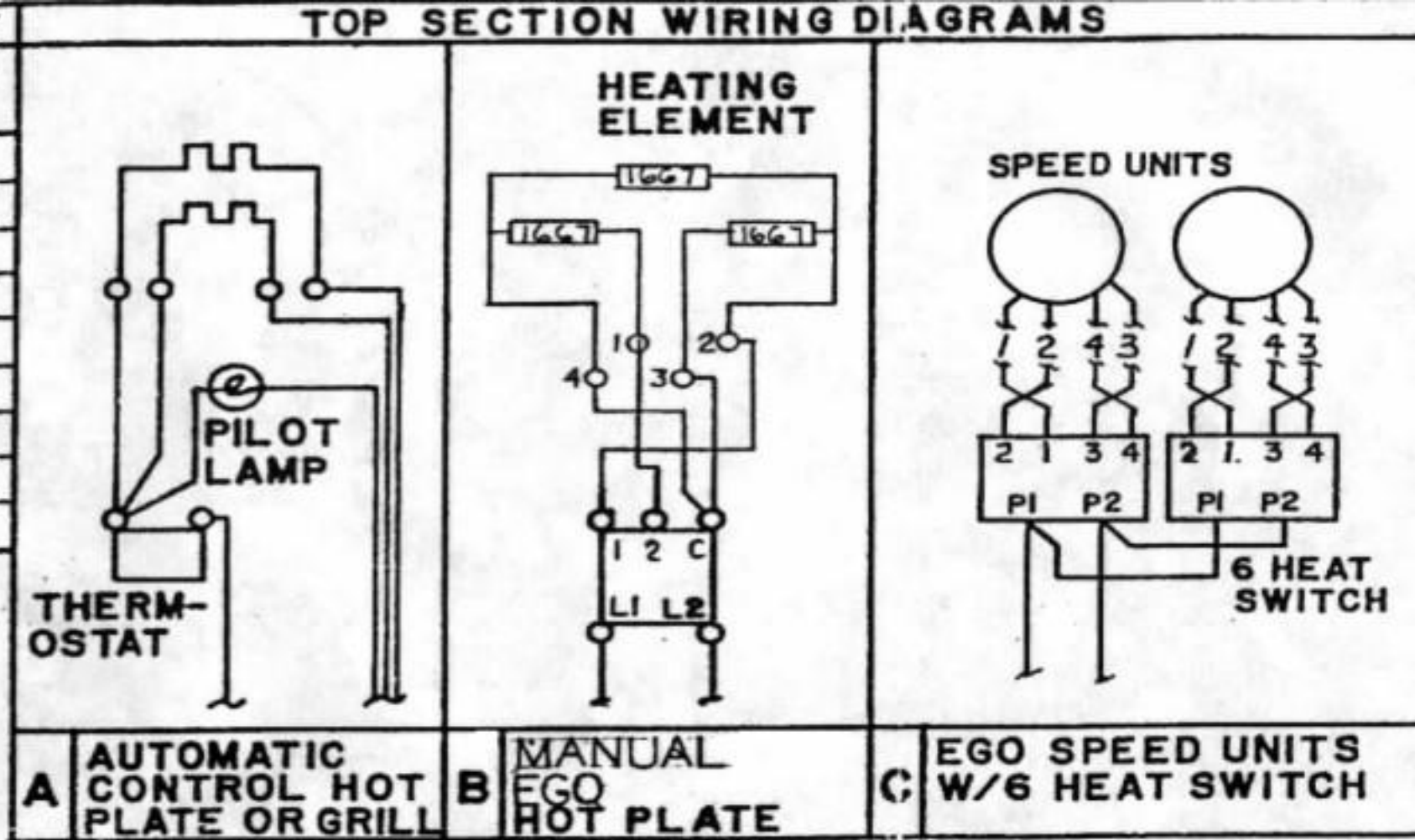


MODEL DESIGNATION	TOP ARRANGEMENT SECTION	
	1	2
32S-1	C	C
32S-2M(G)	A	C
32S-2	B	C
32S-2M(H)	B	C
32S-3M(G)	A	B
32S-3	B	B
32S-3M(H)	B	B
32S-4	A	A
32S-4M	A	A



**EXAMPLE FOR DETERMINING THE WIRING OF A LANG RANGE:**

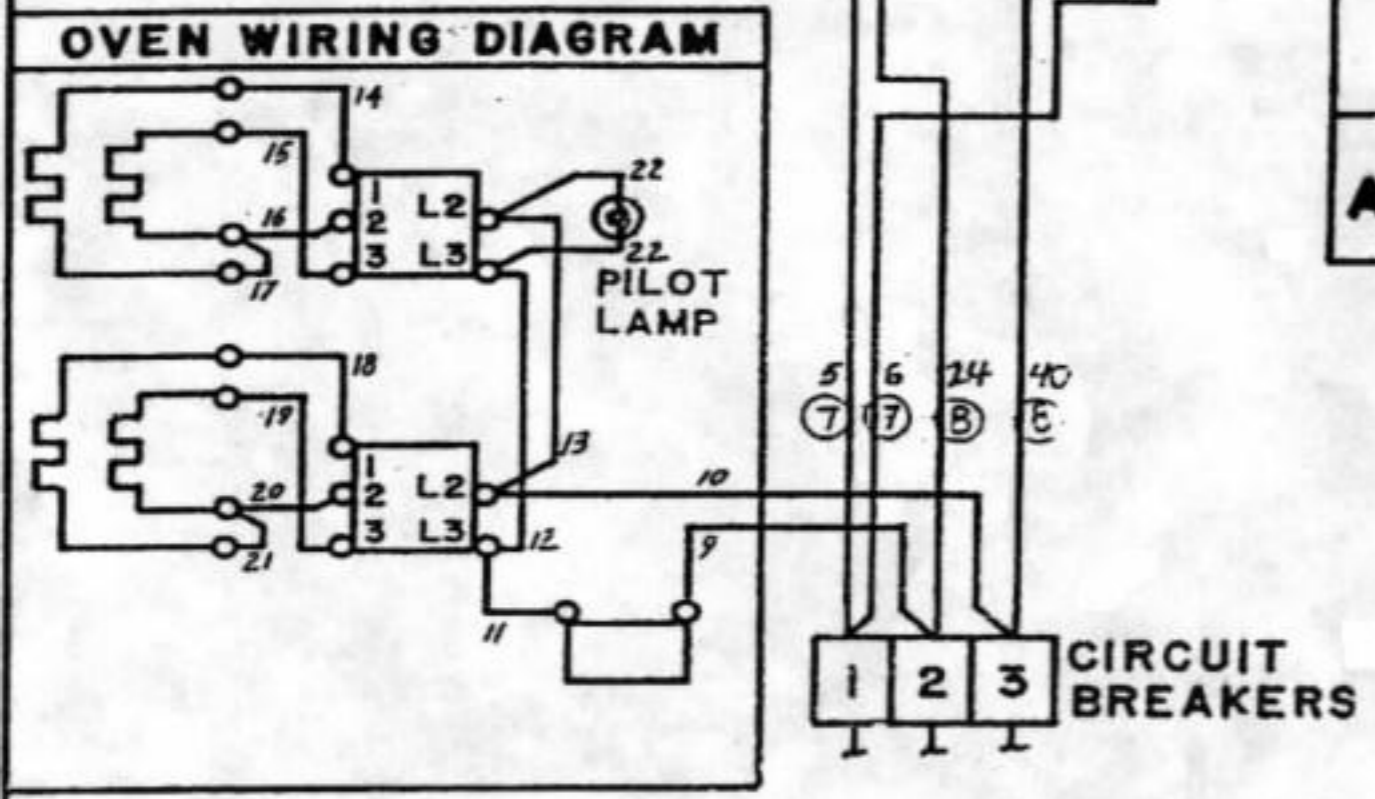
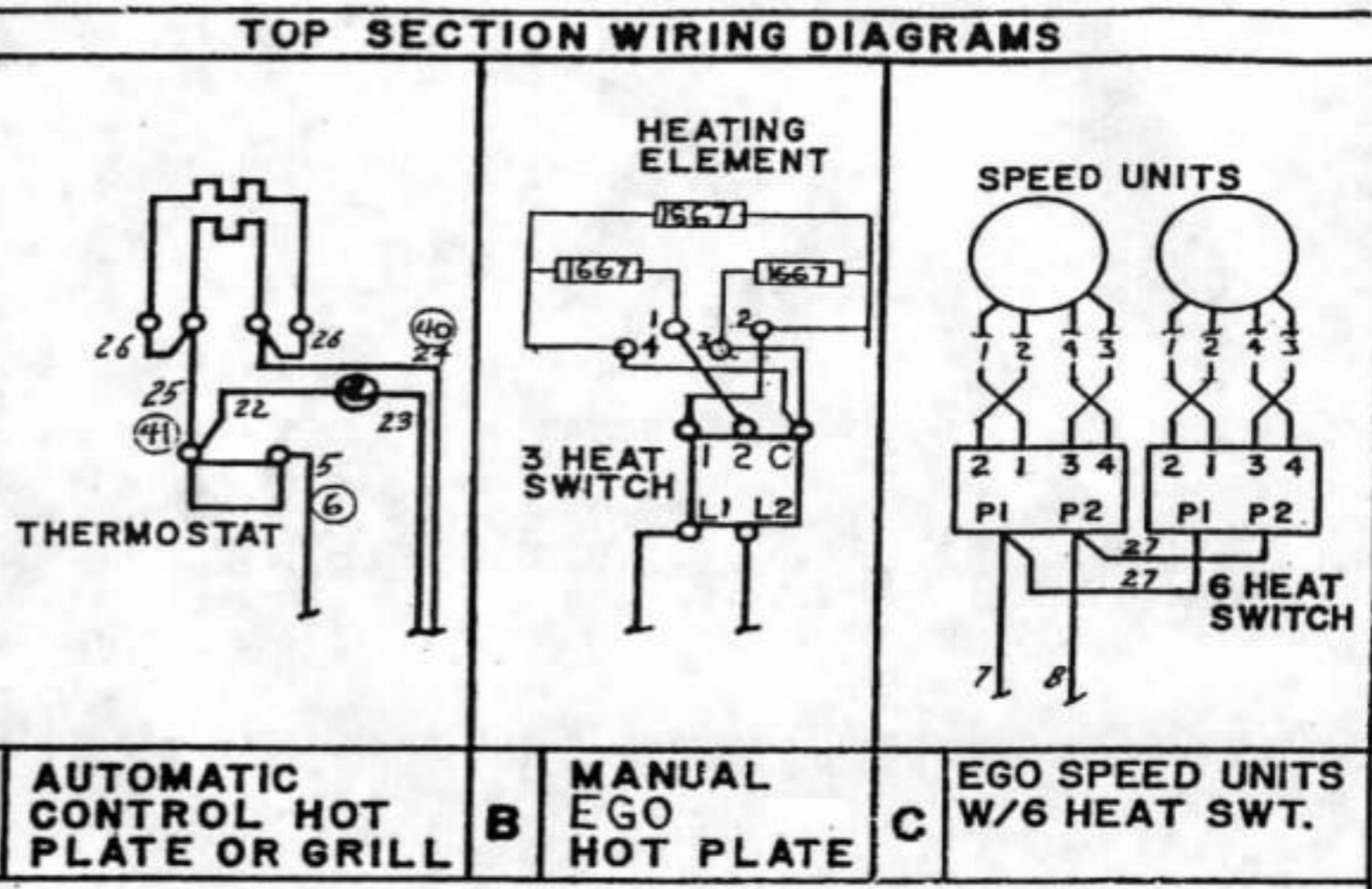
- (1) VIEWED FROM THE FRONT, LEFT TO RIGHT, THE TOP 1 FOOT SECTIONAL ARRANGEMENT FOR A 32S-2M(G) RANGE IS A AND C (SEE TOP ARRANGEMENT CHART). EACH OF THE LETTERS REPRESENT ONE OF THE TOP SECTION WIRING DIAGRAMS ABOVE.
- (2) THE POWER INPUT LEADS TO EACH SECTION AND THE OVEN ARE SHOWN AT LEFT CONNECTED TO THEIR RESPECTIVE CIRCUIT BREAKERS.
- (3) SEE SERVICE CONNECTION CHART FOR PROPER CONNECTION OF CIRCUIT BREAKERS TO POWER SUPPLY.

SERVICE CONNECTION			AMPS PER LINE	
			208V	240V
SINGLE PHASE	L1	1,3	57.5	58.5
	L2	2,4		
THREE PHASE	L1	1,4	41.7	36.1
	L2	2	37.5	32.5
	L3	3	37.5	32.5
KW PER PHASE			TOTAL KW	
L1-L2	L2-L3	L3-L1	14	
5	4	5		

32S RANGE WITH EGO HOT TOP

FD	USE ON-E-SER. NO.	AND ON
FD	QTY. 1	MATERIAL
2-1-94	<b>LANG MFG. CO.</b>	
5-31-89	REDMOND, WA.	
B	MW 11-1-84	32 SERIES RANGE
A	BM 11-1-84	208-240 VOLT AC
		61101-10

MODEL DESIGNATION	TOP ARRANGEMENT	
	SECTION 1	SECTION 2
32S-1	C	C
32S-2	B	C
32S-2M(G)	A	C
32S-2M(H)	B	C
32S-3	B	B
32S-3M(G)	B	A
32S-3M(H)	B	B
32S-4	A	A
32S-4M	A	A



**EXAMPLE FOR DETERMINING THE WIRING OF A LANG RANGE:**

- VIEWED FROM THE FRONT, LEFT TO RIGHT, THE TOP 1 FOOT SECTIONAL ARRANGEMENT FOR A 32S-M(G) RANGE IS A AND C (SEE TOP ARRANGEMENT CHART). EACH OF THE LETTERS REPRESENT ONE OF THE TOP SECTION WIRING DIAGRAMS ABOVE.
- THE POWER INPUT LEADS TO EACH SECTION AND THE OVEN ARE SHOWN AT LEFT CONNECTED TO THEIR RESPECTIVE CIRCUIT BREAKERS.
- SEE SERVICE CONNECTION CHART FOR PROPER CONNECTION OF CIRCUIT BREAKERS TO POWER SUPPLY.

32S RANGE WITH EGD HDT TOP  
USE ON E SER. NO, AND ON

SERVICE CONNECTION			AMPS PER LINE
			480 VOLT
L1	1		18.0
L2	2		16.2
L3	3		16.2
KW PER PER PHASE			TOTAL KW
L1-L2	L2-L3	L3-L1	14
5	4	5	

FD	QTY.	MATERIAL	
2-1-94		<b>LANG MFG. CO.</b> REDMOND, WA.	
A			
		<b>32 SERIES RANGE</b>	
		<b>480 VOLT AC</b>	
		REV. NO. 11-1-84	REV. NO. 61101-07
		CO. BM 11-1-84	REV. NO. A