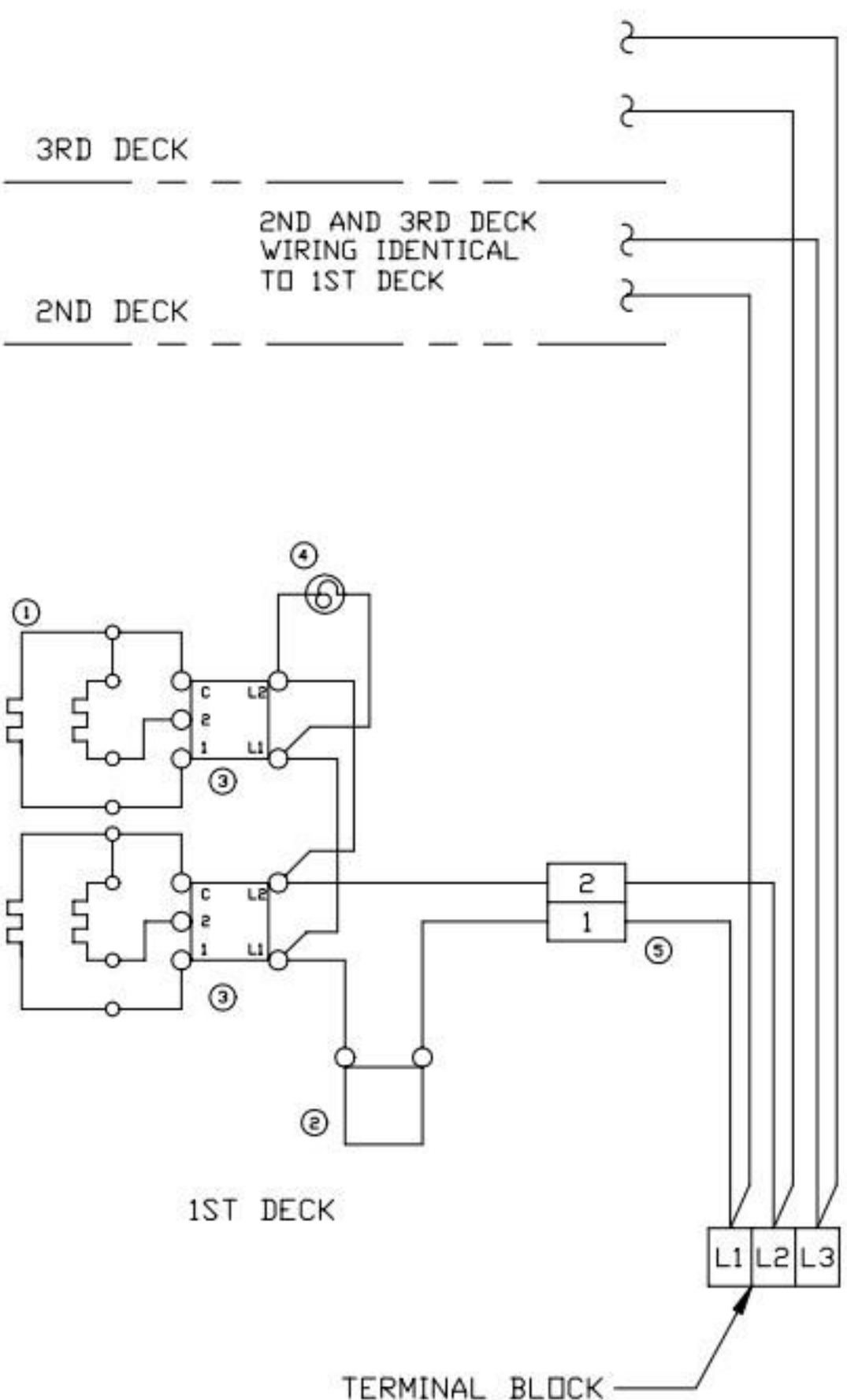
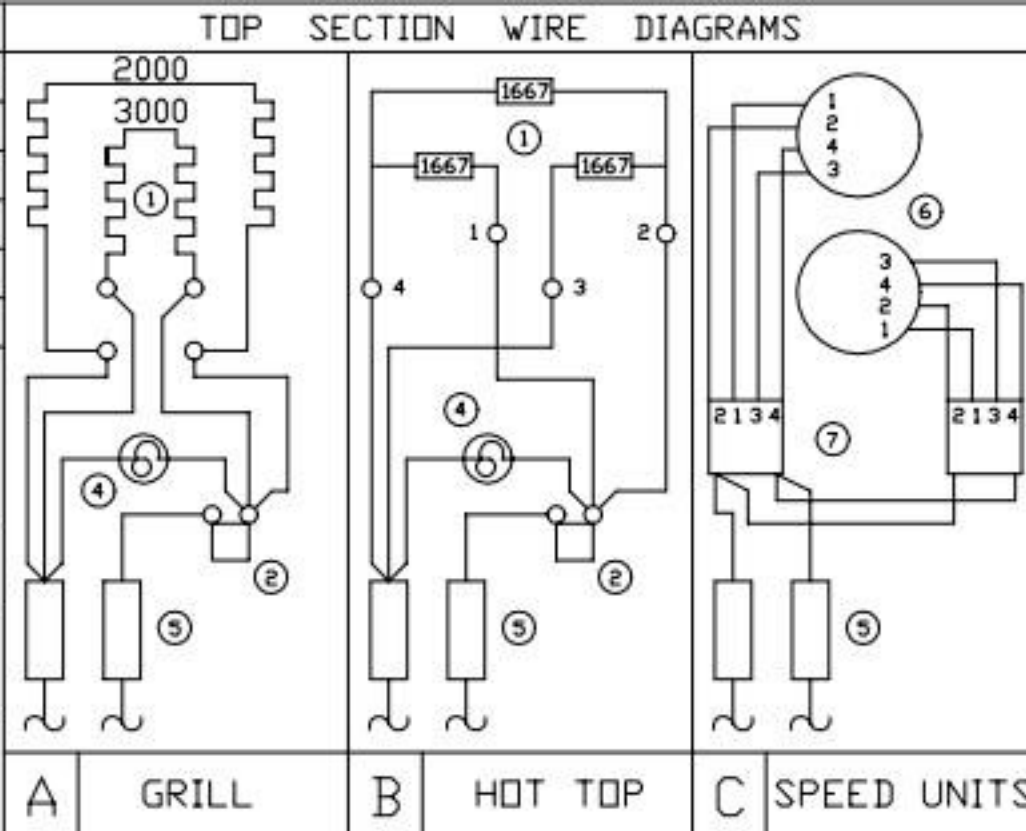


OVEN WIRING



MODEL DESIGNATION	TOP ARRANGEMENT		
	SEC-1	SEC-2	SEC-3
36S-0	A	A	C
36S-2	B	B	B
36S-3A	B	B	C
36S-10	A	A	A
36S-20	C	C	C

①	HEAT ELEMENT
②	THERMOSTAT
③	3 HEAT SWITCH
④	PILOT LAMP
⑤	CIRCUIT BREAKER
⑥	SPEED UNIT
⑦	6 HEAT SWITCH



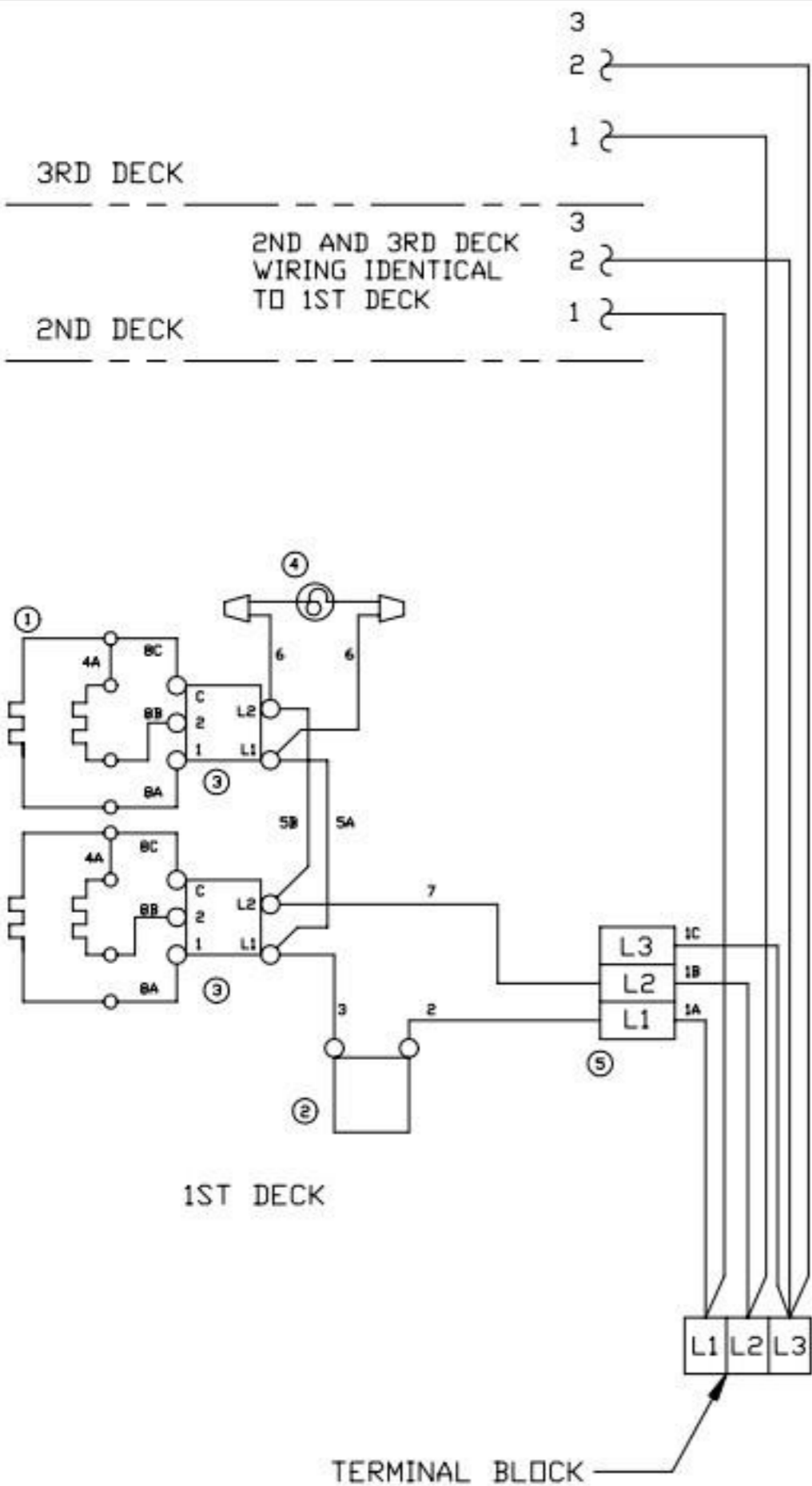
CONNECT WIRES FROM RANGE TOP OR ADDITIONAL DECKS TO LOWER OVEN TERMINAL BLOCK AS SHOWN AT RIGHT

ELECTRICAL CONNECTIONS					
POWER SUPPLY	TERMINAL BLOCK	RANGE TOP	OVEN		
			1st DECK	2nd DECK	3rd DECK
SINGLE PHASE	L1	1-3-5	1	1	1
	L2	2-4-6	2	2	2
THREE PHASE	L1	3	1	1	-
	L2	1-5	2	-	1
	L3	2-4-6	-	2	2

MODEL NUMBER	LOADING		KW TOTAL	THREE PHASE AMPS						SINGLE PHASE AMPS			
	KW PER PHASE			208 VOLT			240 VOLT			208V		240V	
	L1	L2		L3	L1	L2	L3	L1	L2	L3			
	L2	L3		L1									
36S RANGE	6.0	10.0	5.0	21.0	45.8	66.7	62.5	39.7	57.8	54.2	101.0	87.5	
LA-136S OVEN	6.0	0.0	0.0	6.0	28.8	28.8	0.0	25.0	25.0	0.0	28.8	25.0	
LA-236S *	6.0	0.0	6.0	12.0	50.0	28.8	28.8	43.3	25.0	25.0	57.7	50.0	
LA-336S *	6.0	6.0	6.0	18.0	50.0	50.0	50.0	43.3	43.3	43.3	86.5	75.0	

USE ON ALL E SERIAL NUMBERS

OVEN WIRING



MODEL DESIGNATION	TOP ARRANGEMENT			TOP SECTION WIRE DIAGRAMS					
	SEC-1	SEC-2	SEC-3	A	B	C			
36S-0	A	A	C						
36S-2	B	B	B						
36S-3A	B	B	C						
36S-10	A	A	A						
36S-20	C	C	C						
① HEAT ELEMENT ② THERMOSTAT ③ 3 HEAT SWITCH ④ PILOT LAMP ⑤ CIRCUIT BREAKER ⑥ SPEED UNITS ⑦ 6 HEAT SWITCH	1	2 3	4 5 6	OVEN 3 POLE CIRCUIT BREAKER					
				A	GRILL	B	HOT TOP	C	SPEED UNITS

CONNECT WIRES FROM RANGE TOP TO OVEN CIRCUIT BREAKER. CONNECT WIRES FROM ADDITIONAL DECKS TO LOWER OVEN TERMINAL BLOCK

ELECTRICAL CONNECTIONS					
POWER SUPPLY		RANGE TOP CONNECT TO OVEN CIRCUIT BREAKER	UPPER OVENS CONNECT TO BOTTOM DECK TERMINAL BLOCK		
			1st DECK	2nd DECK	3rd DECK
THREE PHASE	L1	3	1	1	-
	L2	1-5	2	-	1
	L3	2-4-6	-	2	2

MODEL NUMBER	LOADING						KW TOTAL	AMPS 480 VOLT		
	KW PER PHASE							L1	L2	L3
	L1	L2	L2	L3	L3	L1				
36S RANGE	6.0	10.0	5.0	21.0	19.9	28.9	27.1			
LA-136 OVEN	6.0	0.0	0.0	6.0	12.5	12.5	0.0			
LA-236S *	6.0	0.0	6.0	12.0	21.7	12.5	12.5			
LA-336S *	6.0	6.0	6.0	18.0	21.7	21.7	21.7			

USE ON ALL E SERIAL NUMBERS