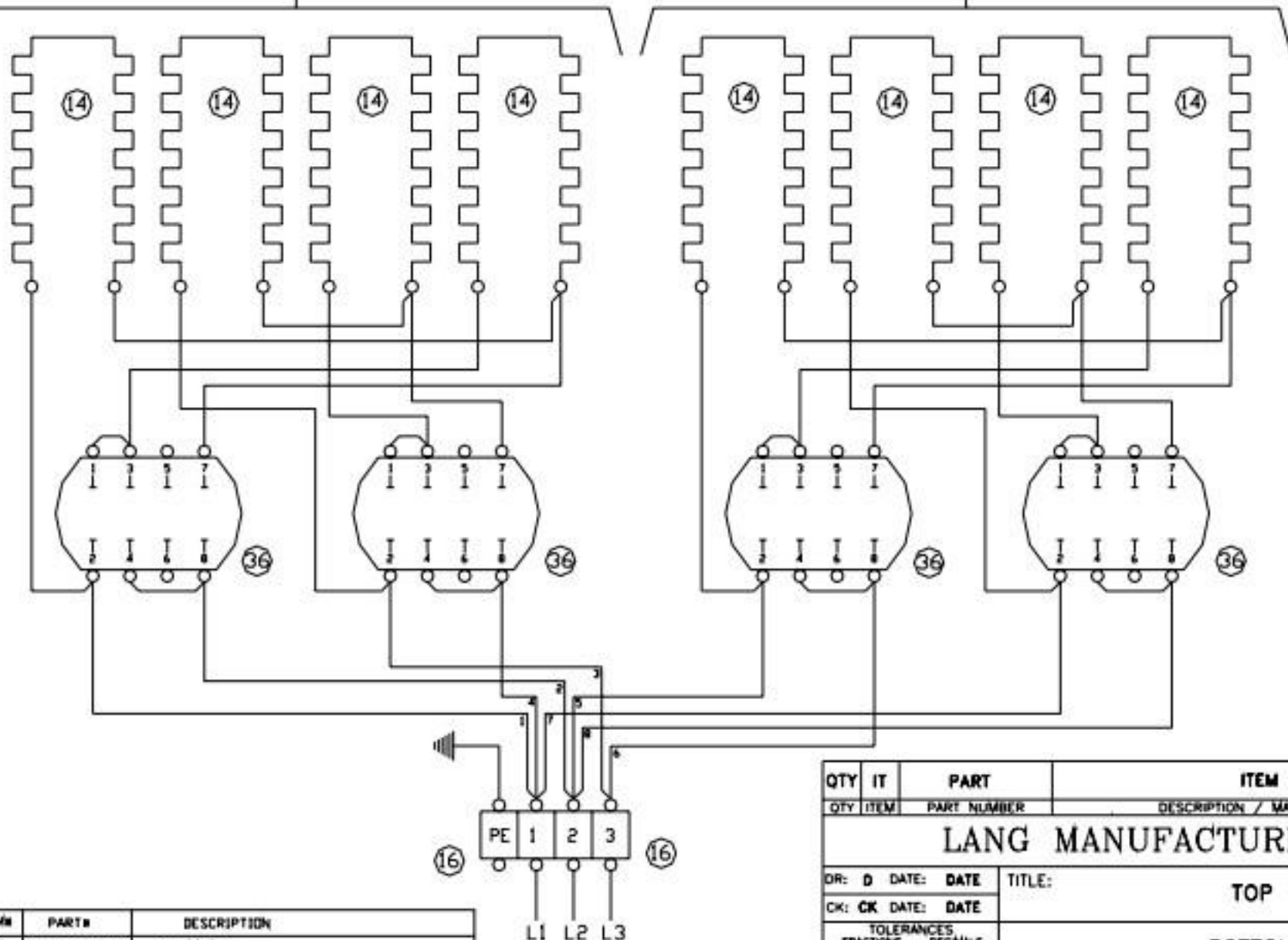


BOTTOM DECK

TOP DECK



ITEM#	PART#	DESCRIPTION
14	11100-13	ELEMENT

QTY	IT	PART	ITEM
QTY	ITEM	PART NUMBER	DESCRIPTION / MATER
LANG MANUFACTURING			
DR: D	DATE:	DATE	TITLE:
CK: CK	DATE:	DATE	TOP
TOLERANCES		BOTTOM	
FRACTIONS	DECIMALS		
± 1/64	± .05		