

Model: CSG24 GAS 24" CLAMSHELL

Lang

SK2476, Rev. B 07/09/2018

PARTS LIST

JULY 09, 2018, Rev. A

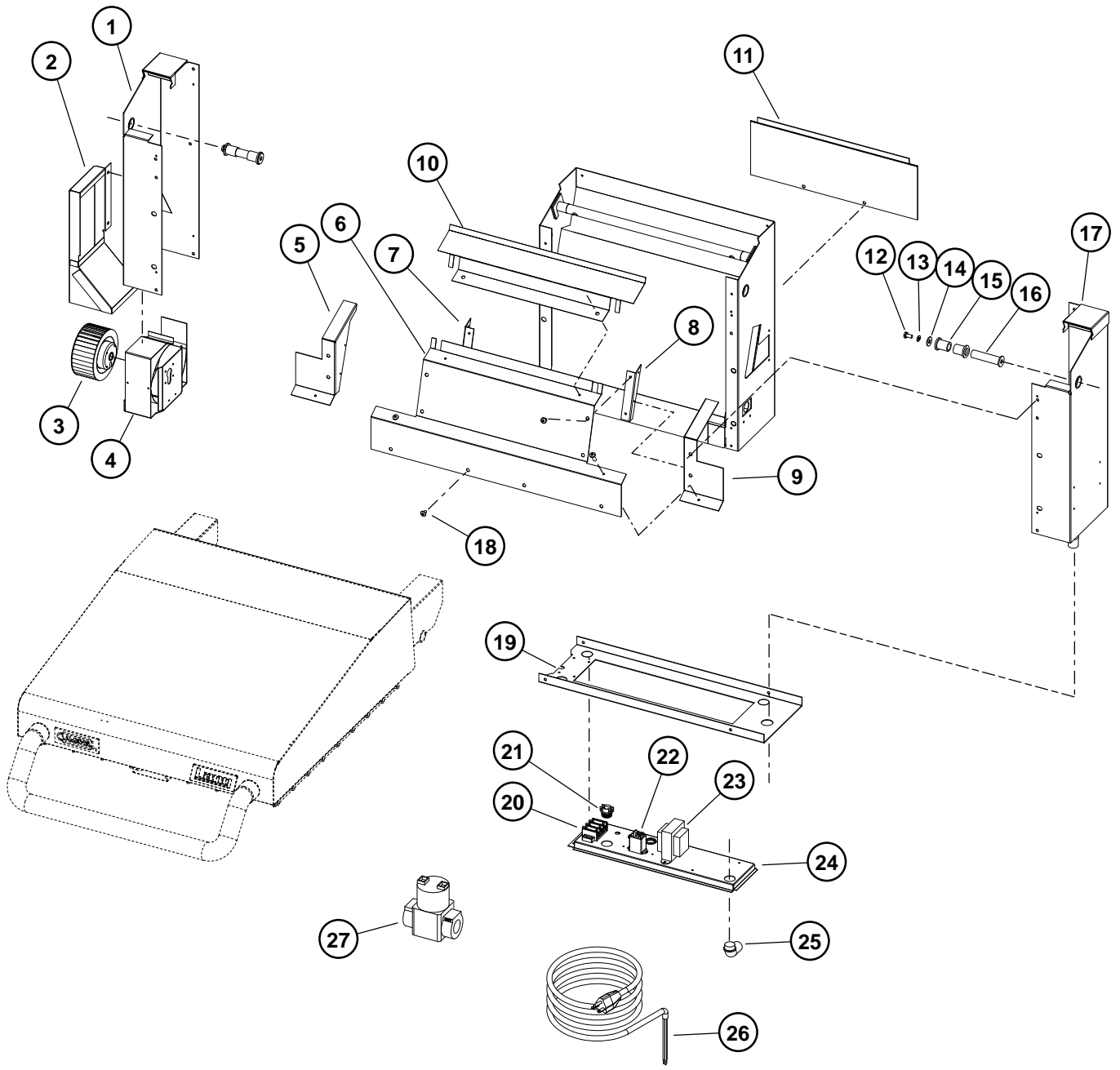
Gas Clamshell Hood Parts List				
Fig No	Part No	Qty	Description	Application
1	K9-60101-851	1	HOOD WRAP ASSY, w/DIE CAST LOGOS	
2	2M-60301-W2	1	LANG CLAMSHELL LOGO	
3	K9-70603-24	1	AGC HOOD HANDLE ASSY COMPLETE	
4	K9-60301-43-1	1	SATIN CHRМ-LANG DIE CAST	
5	2K-70801-19	1	BUSHING HEYCO 5/8#2077	
6				
7	2P-51002-11	2	HOOD SPRING	
8	2P-51002-05	2	SPRING GAS HOOD	
9	2P-70201-06	2	BRNZ BR FLN BUSHING	
10	K9-50312-40	2	SPRING PISTON / WASHER	
11	2C-20104-37	2	SCRW 3/8-16X12 H/H CAP 2 THD	
12	2V-80502-03	1	SOLENOID VALVE 24VAC 1/2PIPE	CSG24
		2		CSG24B
13	K9-30307-01	1	SWT MERC TLT W/250°C 18GA	
14	2J-80300-10	1	SPRK IGN CNTRL	
15	2V-80501-03	1	GAS REG 1/2X1/2CLSISET10	LP
	2V-80501-10	1	GAS REG 1/8X1/2 CLS I	NAT
16	Y9-80403-04	1	90 DEG FITING W/#29 DRL	NAT
	2A-80400-26		ORIFICE HOOD .1360 #29	
	Y9-80403-05	1	90 DEG FITING W/#44DRL	LP
	2A-80400-27		ORIFICE HOOD .0860 #44	
17	2E-103-232	1	HARNESS, AGC HOOD #1	
19	2J-80302-06	1	IGNITOR/SENSOR CHANNEL	
20	K9-103-3	1	SPARK COVER	
21	K9-51100-59	1	BURNER TILE ASSY, GLUED	
--	2H-60106-67	1	INSULATION BURNER TILE KIT (INCLUDED w/ K9-51100-59)	
22	2U-103-193	1	LEFT SKIRT	
23	2V-103-194	1	RIGHT SKIRT	
24	2V-103-197	1	FRONT SKIRT w/HINGE	
25	K9-60102-1964	1	FRONT SKIRT INNER WALL w/SCREWS	
26	2C-20103-02	3	SCRW SM PLT 10 X .5 PHLSL	
27	K9-103-A88	1	FLAPPER ASSY	
28	2B-50201-08	1	WIRE GUARD ADD-ON-BROILER	
29	2K-70101-51	1	BRAS TBE ELBOW 1/4CC X 1/4CC	
30	K9-103-4	1	TOP SEAL PLATE	
31	K9-103-89	1	TOP PLATE SEAL	
32	2C-20201-03	1	WSHR FLT AN960-716	
33	K9-103-71	1	TUBE #5	
34	2A-80401-04	1	PILOT BURNER ORIFICE, .021DRL	NAT
	2A-80401-05		PILOT BURNER ORIFICE, .010DRL	LP
NI	2H-103-124	1	COMPONENT COVER INSULATION	

**IMPORTANT: WHEN ORDERING, SPECIFY VOLTAGE OR TYPE GAS DESIRED
INCLUDE MODEL AND SERIAL NUMBER**

PAGE 1
OF 1

Some items are included for illustrative purposes only and in certain instances may not be available.





Model: CSG24 GAS 24" CLAMSHELL, FRAME ASSY



SK2477, Rev. A, 3/23/2015

PARTS LIST

October 29, 2012, Rev. -

Gas Clamshell Frame Parts List				
Fig No	Part No	Qty	Description	Application
1	K9-103-702-W2	1	LEFT OUTER STANCHION - ASSY	CSG24
	K9-103-702-1		LEFT OUTER STANCHION	CSG24B
2	K9-103-701	1	BLOWER DUCT - SPOT	
3	2U-30200-44	1	MOTOR & BLOWER ASSY FOR AGC	
4	OB-60102-194	1	OBS AGC BLOWER HOUSE ASSY	
5	K9-103-301	1	STANCHION COVER LH	CSG24
	K9-103-301-2			CSG24B
6	K9-103-303	1	INNER DRIP EDGE	CSG24
	K9-103-303-2			CSG24B
7	K9-103-304	1	BAFFLE CLIP RH	
8	K9-103-305-1	1	BAFFLE CLIP LH	
9	K9-103-300	1	STANCHION COVER RH	CSG24
	K9-103-300-2		STANCHION COVER RH	CSG24B
10	K9-103-323	1	HOODWRAP DRIP CATCHER	
11	K9-103-164	1	REAR ACCESS COVER	
12	2C-20104-08	2	SCRW HXHD CAP PLT 1/4-20	
13	2C-20202-05	2	WSHR PLT 1/4 LOCK SPLIT	
14	2C-20201-05	2	WSHR LFT 1/4 USS PLTD	
15	2P-70201-07	4	BRNZ BR FLN 5/8IDX3/4ODX1	
16	K9-60102-1911	2	HOOD PIVOT SHAFT ASSY	
17	K9-103-115-W3	1	RIGHT OUTER STANCHION	CSG24
	K9-103-115-3		RH OUTER STANCHION	CSG24B
18	2C-20109-04	16	SCREW THD MS SS 10-32X	
19	K9-103-102	1	FIXED BOTTOM	
20	2E-30501-02	1	TRM STRP 3 POLE W/PUSH ON TRM	
21	2E-31200-01	1	BOX CONNECTOR 3/8	
22	2E-30600-11	1	RELAY 120V SPDT FLANGE MNT	used w/Envirozone Griddles
	2E-30600-04		RLAY 24VAC 2FRMC DPDT FLNG MNT	
23	2E-31400-07	1	XFRMR, 120-208-240/24V,40V	
24	K9-103-101	1	COMPONENT TRAY	
25	2E-70505-07	1	CONDUIT CNNCTR 3/8 90° FLEX	
26	2E-31107-06	1	CORD SET 14/3 X 6' 15A	
27	2V-80502-03	1	SOLENOID VALVE 24VAC	
NI	2E-30308-01	1	SWITCH AIR 10WC 1/4	
NI	K9-103-95	1	AIR SWITCH HOSE	
NI	2E-40704-04	1	CAP - BLOWER START FOR	

**IMPORTANT: WHEN ORDERING, SPECIFY VOLTAGE OR TYPE GAS DESIRED
INCLUDE MODEL AND SERIAL NUMBER**

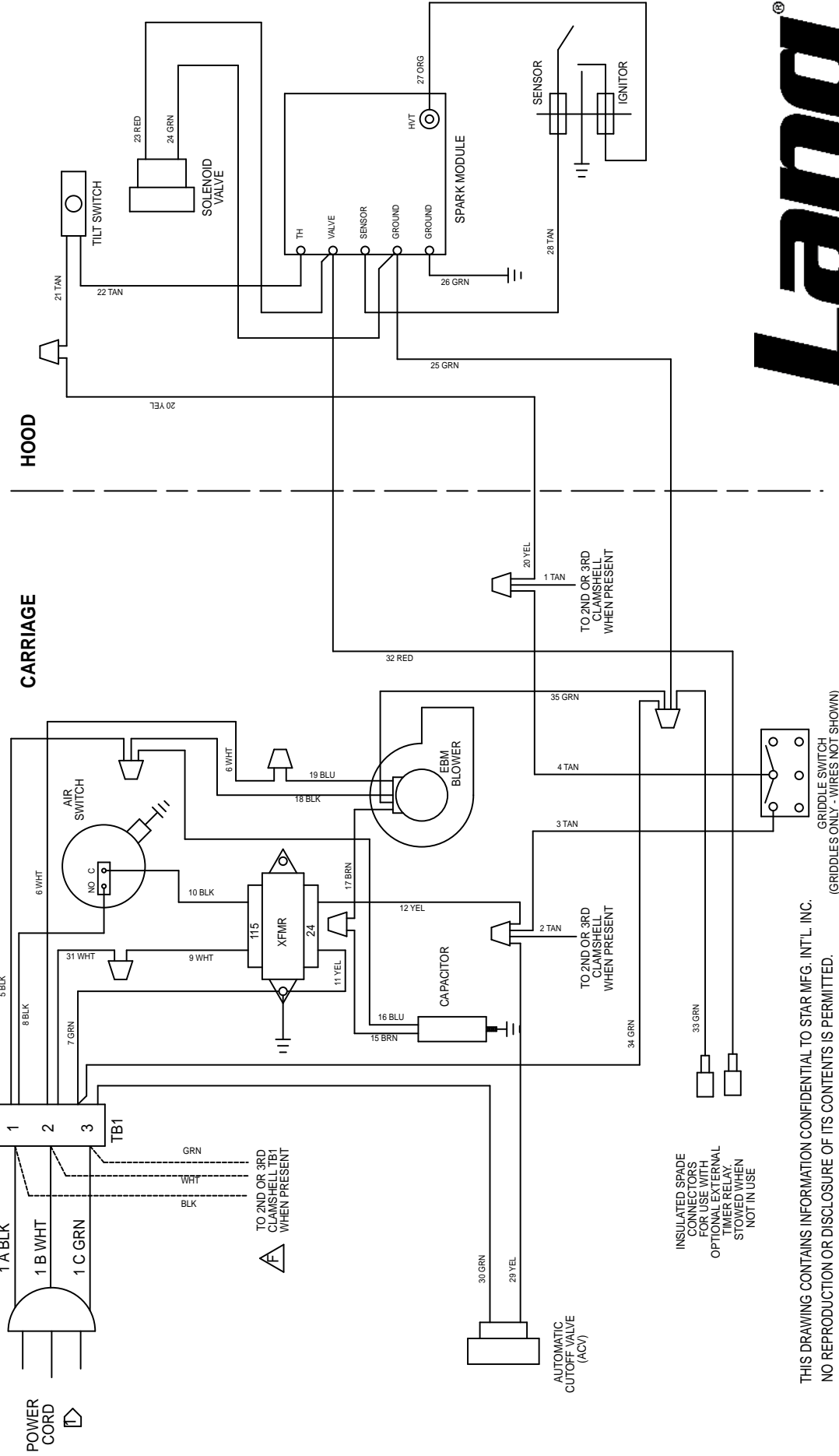
PAGE 1
OF 1

Some items are included for illustrative purposes only and in certain instances may not be available.



⚠ WHEN 2 OR 3 HOODS ARE PRESENT, ONLY ONE POWER CORD IS USED FOR ALL HOODS.

REV.	DATE/ECO	DESCRIPTION OF CHANGE
F	6/8/2011 ECO 10748	REDRAWN IN SOLIDWORKS ADDED POWER JUMPER FOR 2ND & 3RD HOOD



INSULATED SPADE CONNECTORS FOR USE WITH OPTIONAL EXTERNAL TIMER RELAY. STORED WHEN NOT IN USE

THIS DRAWING CONTAINS INFORMATION CONFIDENTIAL TO STAR MFG. INT'L. INC. NO REPRODUCTION OR DISCLOSURE OF ITS CONTENTS IS PERMITTED.

GRIDDLE SWITCH (GRIDDLES ONLY - WIRES NOT SHOWN)

MODELS:
ADD ON GAS CLAMSHELL

Lang®

2M-61113-24

Rev F

6-8-2011