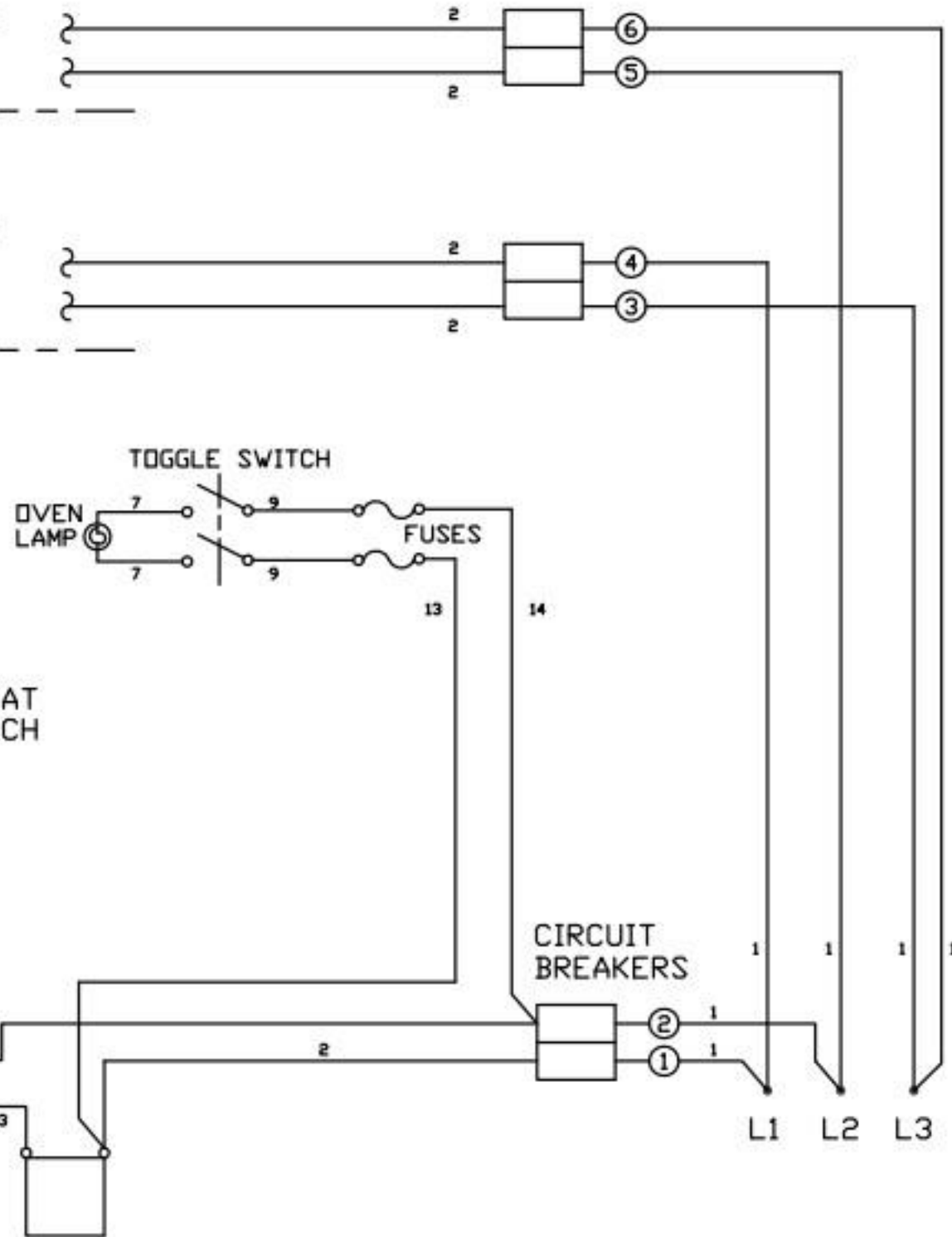


3rd OVEN WIRING  
IDENTICAL TO 1st OVEN

2nd OVEN WIRING  
IDENTICAL TO 1st OVEN



THERMOSTAT

1st OVEN WIRING



K.W. PER PHASE				
STAR MODEL	LANG MODEL	L1-L2	L2-L3	L3-L1
DD541	13827	6.0	0.0	0.0
DD542	23827	6.0	0.0	6.0
DD543	33827	6.0	6.0	6.0

AMPS PER LINE 208 VOLTS				
STAR MODEL	LANG MODEL	L1	L2	L3
DD541	13827	28.8	28.8	0.0
DD542	23827	50.0	28.8	28.8
DD543	33827	50.0	50.0	50.0

AMPS PER LINE 240 VOLTS				
STAR MODEL	LANG MODEL	L1	L2	L3
DD541	13827	25.0	25.0	0.0
DD542	23827	43.3	25.0	25.0
DD543	33827	43.3	43.3	43.3

AMPS 1 PHASE				
STAR MODEL	LANG MODEL	208 V	240 V	KW
DD541	13827	28.8	25.0	6.0
DD542	23827	57.7	50.0	12.0
DD543	33827	86.5	75.0	18.0

TOTAL K.W.		
STAR MODEL	LANG MODEL	
DD541	13827	6.0
DD542	23827	12.0
DD543	33827	18.0

USE ON SERIAL NO. D65300 AND ON

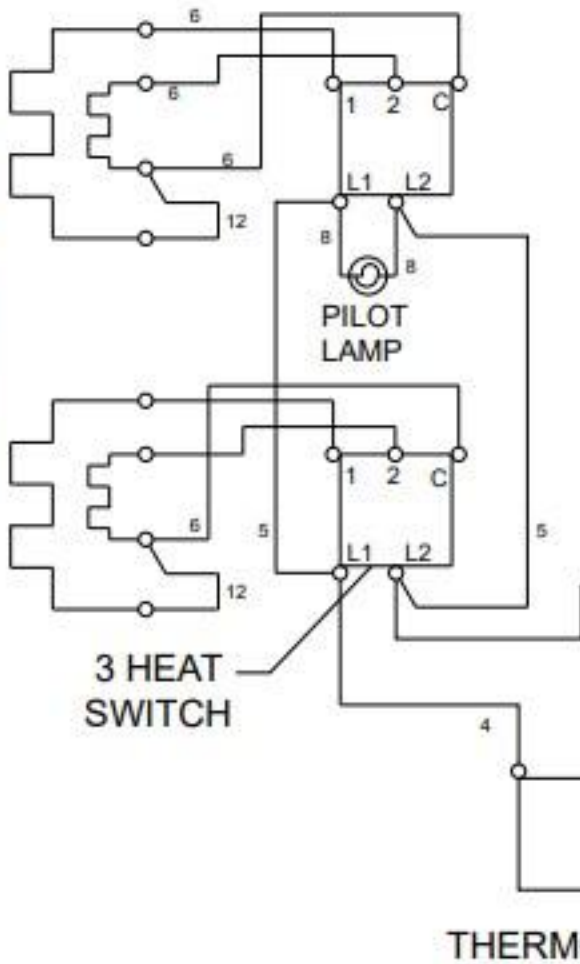


QTY	ITEM	PART NUMBER	DESCRIPTION / MATERIAL
<b>LANG MANUFACTURING</b>			
DR: MM DATE:1-19-81		TITLE: WD D054 (3827) 208-240 VAC	
CK: BW DATE:1-19-81		<b>208-240V AC 1 OR 3 PHASE</b>	
TOLERANCES FRACTIONS DECIMALS ± 1/84 X ± .05 ANGLES XX ± .03 ± 5° XXX ± .015 UNLESS OTHERWISE SPECIFIED DIMENSIONS ARE IN INCHES		NEXT HIGHER ASSY.	SHEET
SCALE: N/A		1 OF 1	DRAWING NUMBER <b>61110-01</b>
			REV <b>G</b>

3rd OVEN WIRING  
IDENTICAL TO 1st OVEN

2nd OVEN WIRING  
IDENTICAL TO 1st OVEN

HEATING ELEMENTS



1st OVEN WIRING

