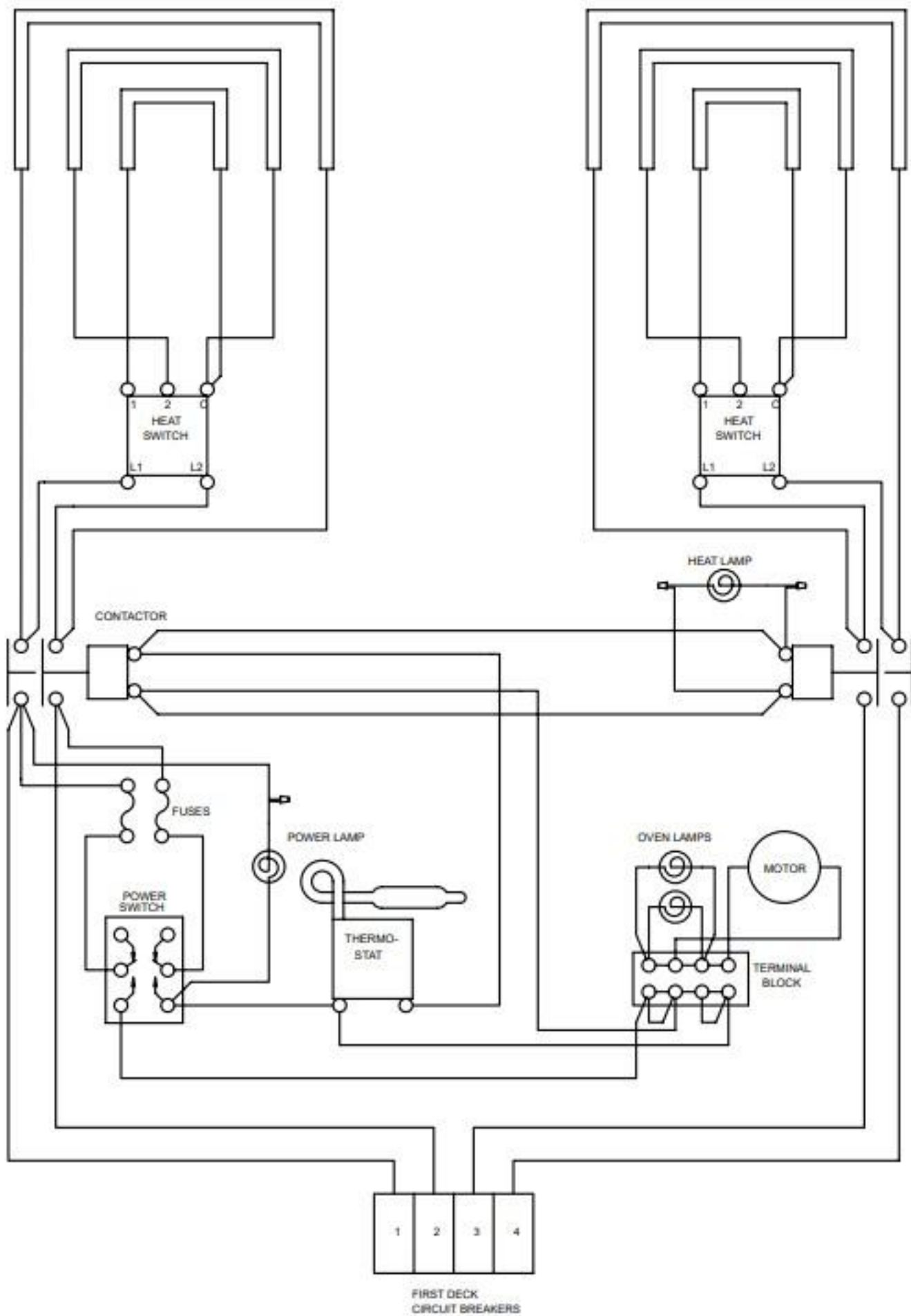


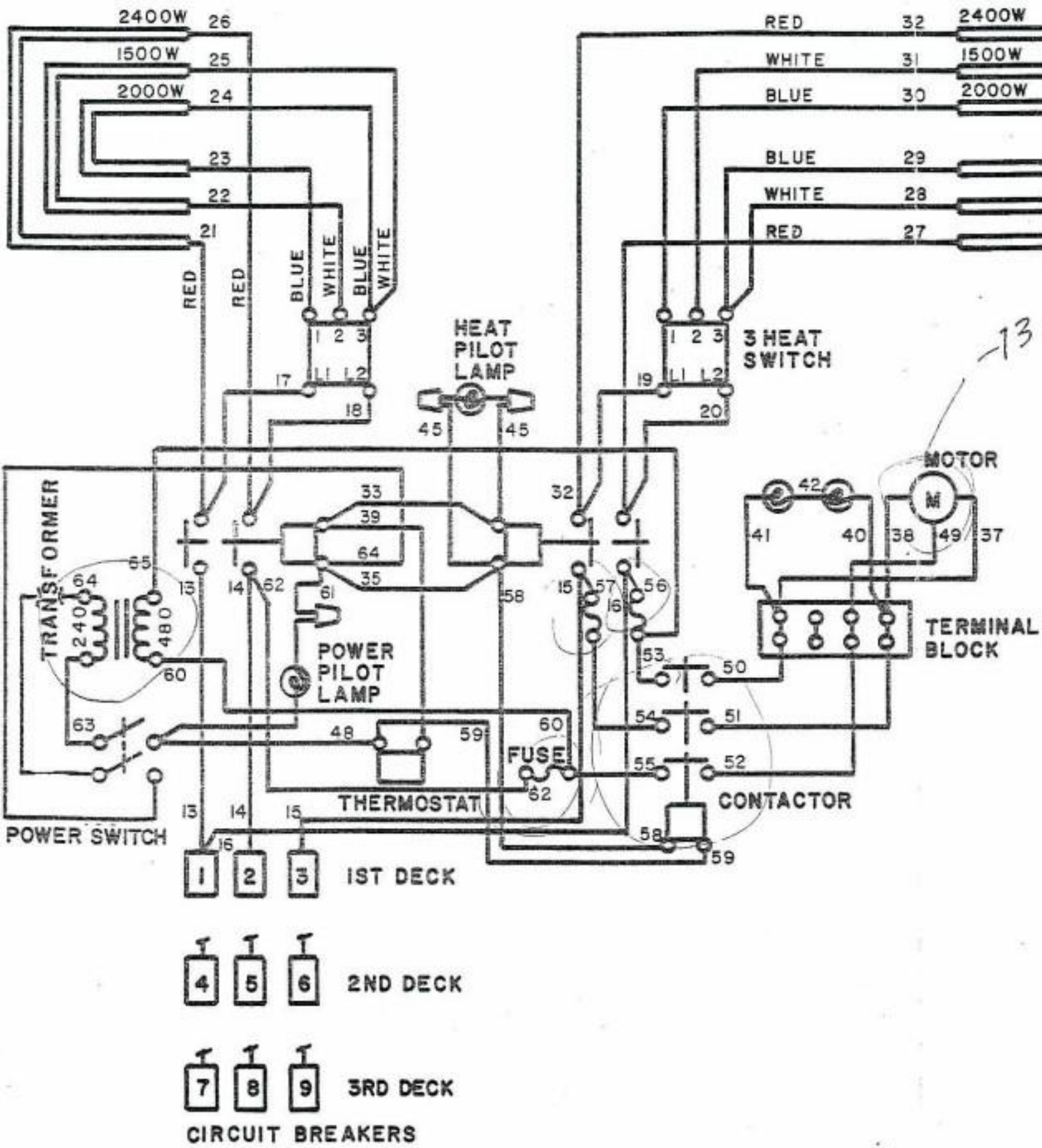
TOP ELEMENT

BOTTOM ELEMENT



BOTTOM HEATING ELEMENTS

TOP HEATING ELEMENTS



SERVICE CONNECTION

MODEL	THREE PHASE		
	L1	L2	L3
PPP-1	1	2	3
PPP-2	1,6	2,4	3,5
PPP-3	1,6,8	2,4,9	3,5,7

LOADING

MODEL	K.W. PER PHASE			TOTAL K.W.
	L1-L2	L2-L3	L3-L1	
PPP-1	6.0	0.0	6.1	12.1
PPP-2	12.1	6.0	6.1	24.2
PPP-3	12.1	12.1	12.1	36.3

AMPS PER LINE

MODEL	THREE PHASE		
	480 VOLTS		
	L1	L2	L3
PPP-1	21.8	12.5	12.7
PPP-2	32.8	32.7	21.8
PPP-3	43.7	43.7	43.7

RF	QTY.	MATERIAL
A 10-21-83		LANG MFG. CO.
		REDMOND, WA.
		ELECTRIC PIZZA OVEN
		480 VOLTS AC
		61112-05
		REV. NO. A