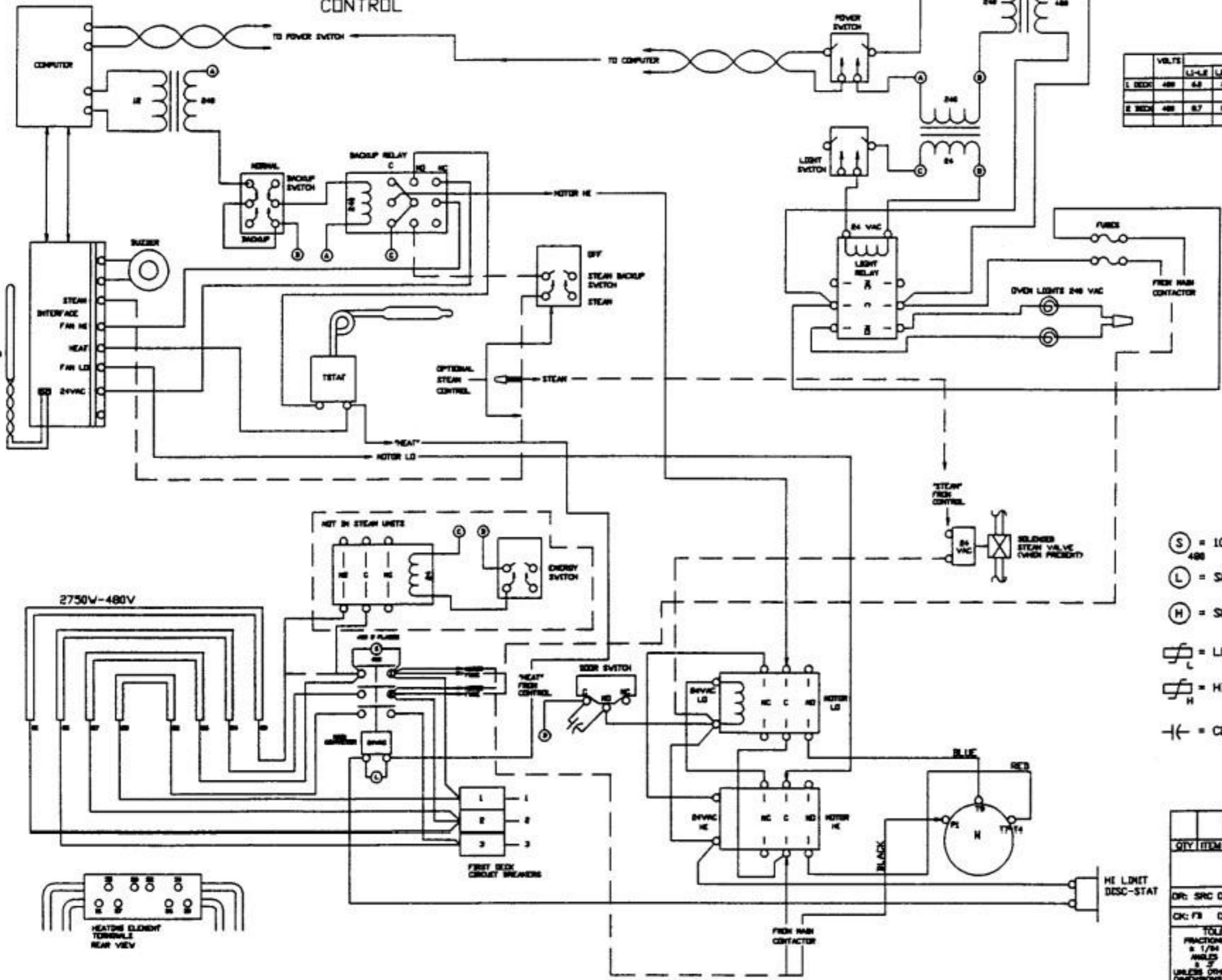


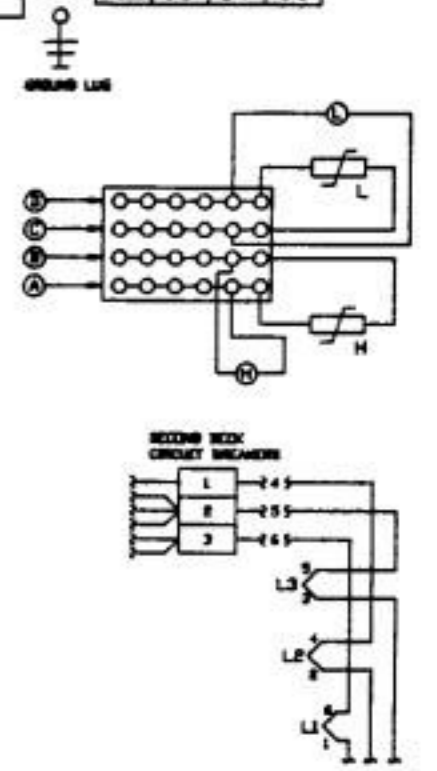
**-C & -C -STM
CONTROL**

REVISION BLOCK						
REV	ECN NO.	DESCRIPTION	DR:	MFG	ENG	DATE



VOLTS	KV			TOTAL	AMPS		
	L1-L2	L2-L3	L3-L1		L1	L2	L3
I DECK	480	4.8	8.7	8.7	11.8	15.8	18.8
E DECK	480	8.7	8.7	5.1	23.8	25.8	28.8

SERVICE CONNECTIONS		
L1	L2	L3
I DECK	1	2
E DECK	1-6	2-4



- (S) = 1000V SNUBBER
480
- (L) = SNUBBER 100VAC
- (H) = SNUBBER 600VAC
- [Symbol] = LO VOLTAGE SUPPRESSOR
- [Symbol] = HI VOLTAGE SUPPRESSOR
- [Symbol] = CERAMIC CAPACITOR

QTY	ITEM	PART NUMBER	DESCRIPTION / MATERIAL
LANG MANUFACTURING			
DR: SRC DATE: 12-14-94		TITLE: W/D ECCO-C, -STM	
CK: FB DATE: 12-14-94		480VAC	
TOLERANCES FRACTIONS DECIMALS ± 1/32 ± .005 ANGLES DEC ± .01 ± .005 ± .015		NEXT HIGHER ASSY.	SHEET
UNLESS OTHERWISE SPECIFIED DIMENSIONS ARE IN INCHES		DRAWING NUMBER	REV
SCALE: N/A		61111-114	A