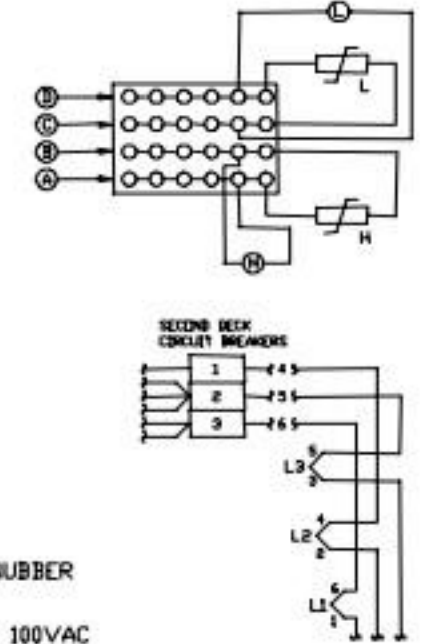
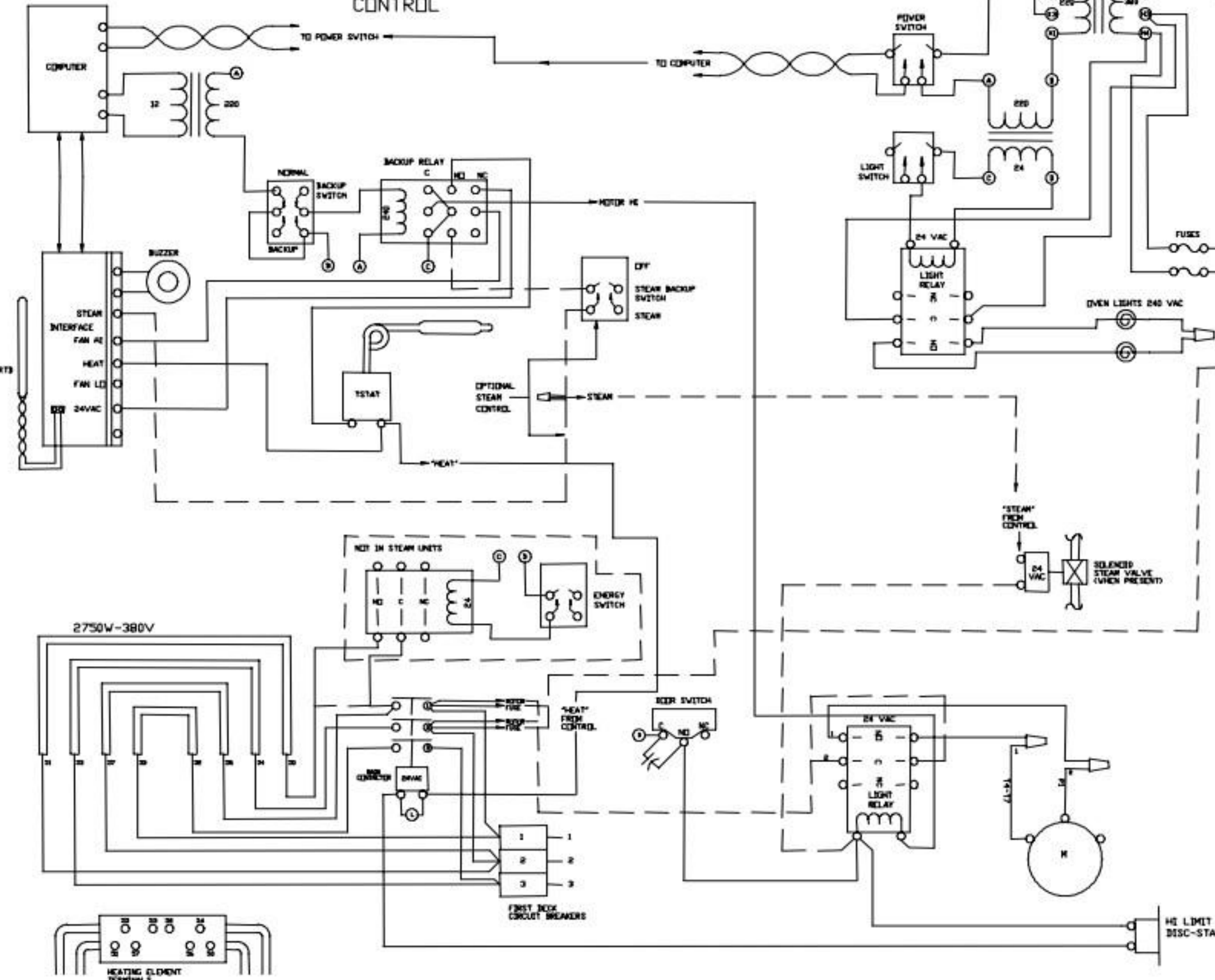


**-C & -C -STM
CONTROL**

REVISION BLOCK						
REV	ECN NO.	DESCRIPTION	DR:	MFG	ENG	DATE
B		REVISED	DLG			10-31-01

I DECK	VOLTS	KV			TOTAL	AMPS			SERVICE CONNECTIONS		
		L1-L2	L2-L3	L3-L1		L1	L2	L3	L1	L2	L3
1 DECK	300	5.5	2.0	2.0	11.2	19.5	19.5	13.2	1	2	3
2 DECK	300	6.3	0.3	5.6	20.2	32.7	38.3	32.7	1-6	2-4	3-5
3 DECK	400	6.1	3.1	3.1	12.3	20.5	20.5	13.8			
4 DECK	400	9.2	9.2	6.2	24.6	34.4	40.9	29.4			

SECOND DECK WIRING IDENTICAL FIRST DECK



- (S) = 1000V SNUBBER 480
- (L) = SNUBBER 100VAC
- (H) = SNUBBER 600VAC
- [LD] = LD VOLTAGE SUPPRESSOR
- [HI] = HI VOLTAGE SUPPRESSOR
- [C] = CERAMIC CAPACITOR

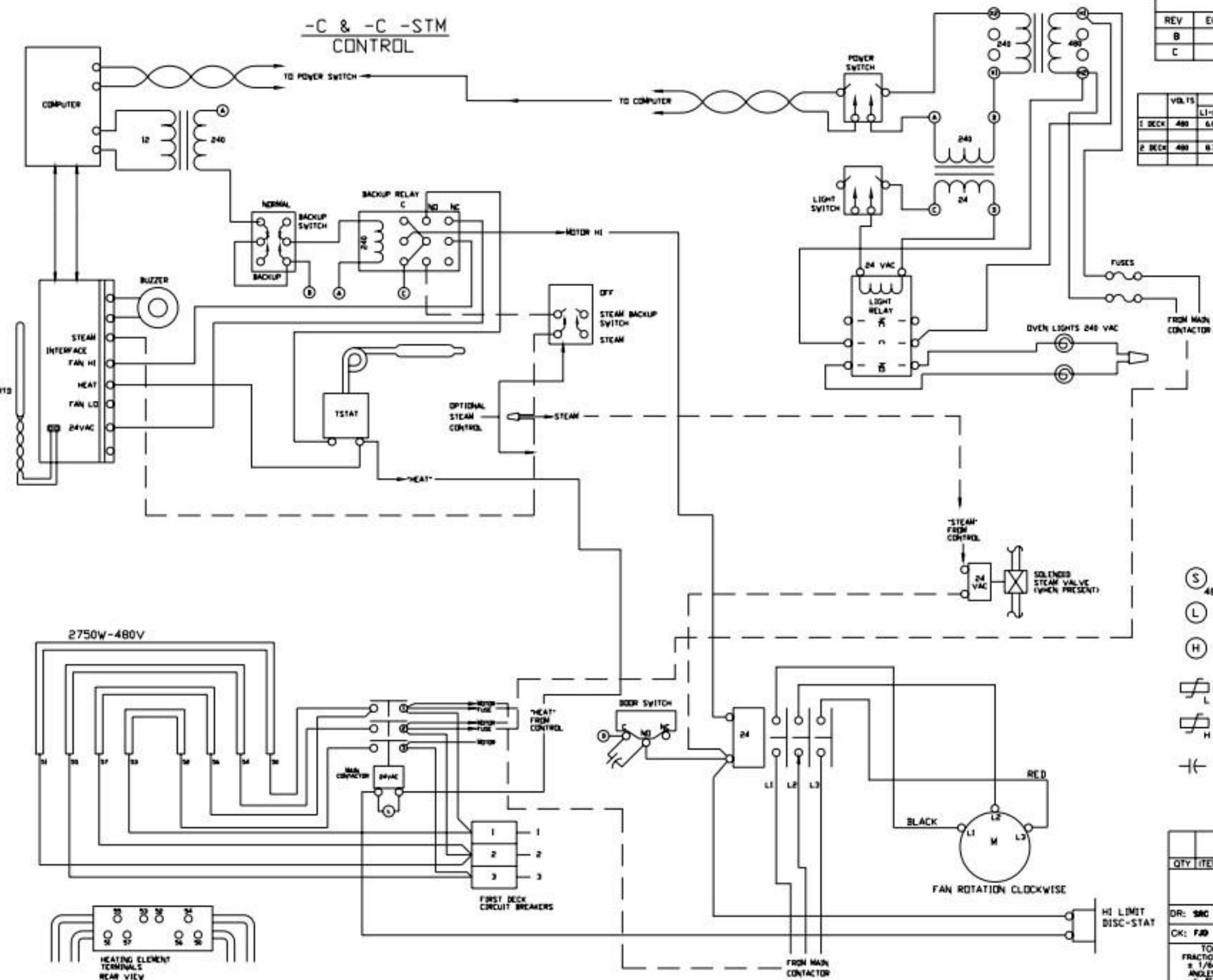
QTY	ITEM	PART NUMBER	DESCRIPTION / MATERIAL
LANG MANUFACTURING			
DR: SBC DATE: 12-2-00		TITLE: W/D ECCO-C, -STM 1 SPEED	
OK: DATE:		380/400 VAC	
TOLERANCES		NEXT HIGHER ASSY. SHEET	
FRACTIONS DECIMALS		DRAWING NUMBER	
± 1/64 .0003		REV	
ANGLES .0005		1. OF 1	
UNLESS OTHERWISE SPECIFIED DIMENSIONS ARE IN INCHES		61111-138	
SCALE: TO FIT		B	

-C & -C -STM CONTROL

REVISION BLOCK						
REV	ECN NO.	DESCRIPTION	DR:	MFG	ENG	DATE
B		REMOVED SNUBBER	SRC			3-5-98
C		CHANGED TO 1 SPEED MOTOR	DLG			04-06-01

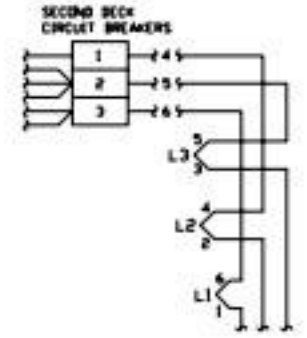
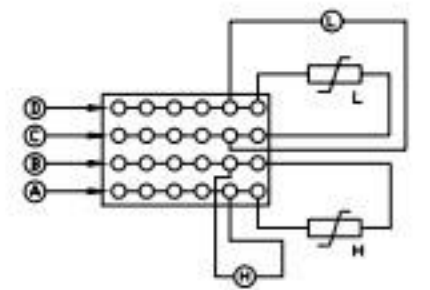
VOLTS	KW			TOTAL	AMPS		
	L1-L2	L2-L3	L3-L1		L1	L2	L3
1 DECK 480	6.0	2.7	2.7	11.5	15.8	7.5	3.0
2 DECK 480	8.7	8.7	5.4	23.0	25.8	31.6	25.8

SERVICE CONNECTIONS			
	L1	L2	L3
1 DECK	1	2	3
2 DECK	1-6	2-4	3-5



SECOND DECK WIRING IDENTICAL FIRST DECK

GROUND LUG



- (S) = 1000V SNUBBER 480
- (L) = SNUBBER 100VAC
- (H) = SNUBBER 600VAC
- [Symbol] = LO VOLTAGE SUPPRESSOR
- [Symbol] = HI VOLTAGE SUPPRESSOR
- [Symbol] = CERAMIC CAPACITOR

QTY	ITEM	PART NUMBER	DESCRIPTION / MATERIAL
LANG MANUFACTURING			
DR: SRC DATE: 12-14-84		TITLE: W/D ECCO-C, -STM 1 SPEED	
CK: FJD DATE: 12-12-85			
480VAC			
TOLERANCES		NEXT HIGHER ASSY. SHEET	
FRACTIONS DECIMALS		DRAWING NUMBER	
± 1/64 ± .005		61111-129	
ANGLES ± .03		REV	
± .5° ± .015		C	
UNLESS OTHERWISE SPECIFIED DIMENSIONS ARE IN INCHES			
SCALE: TO FIT			

220/380 - 3PH 4 WIRE, 50 OR 60 Hz

	VOLTS	KW			TOTAL	AMPS			
		L1-N	L2-N	L3-N		L1	L2	L3	N
1 DECK		3.7	3.1	3.1	9.9	16.8	14.1	14.1	16.8
2 DECK		6.8	6.8	6.2	11.66	30.9	30.9	28.2	30.9

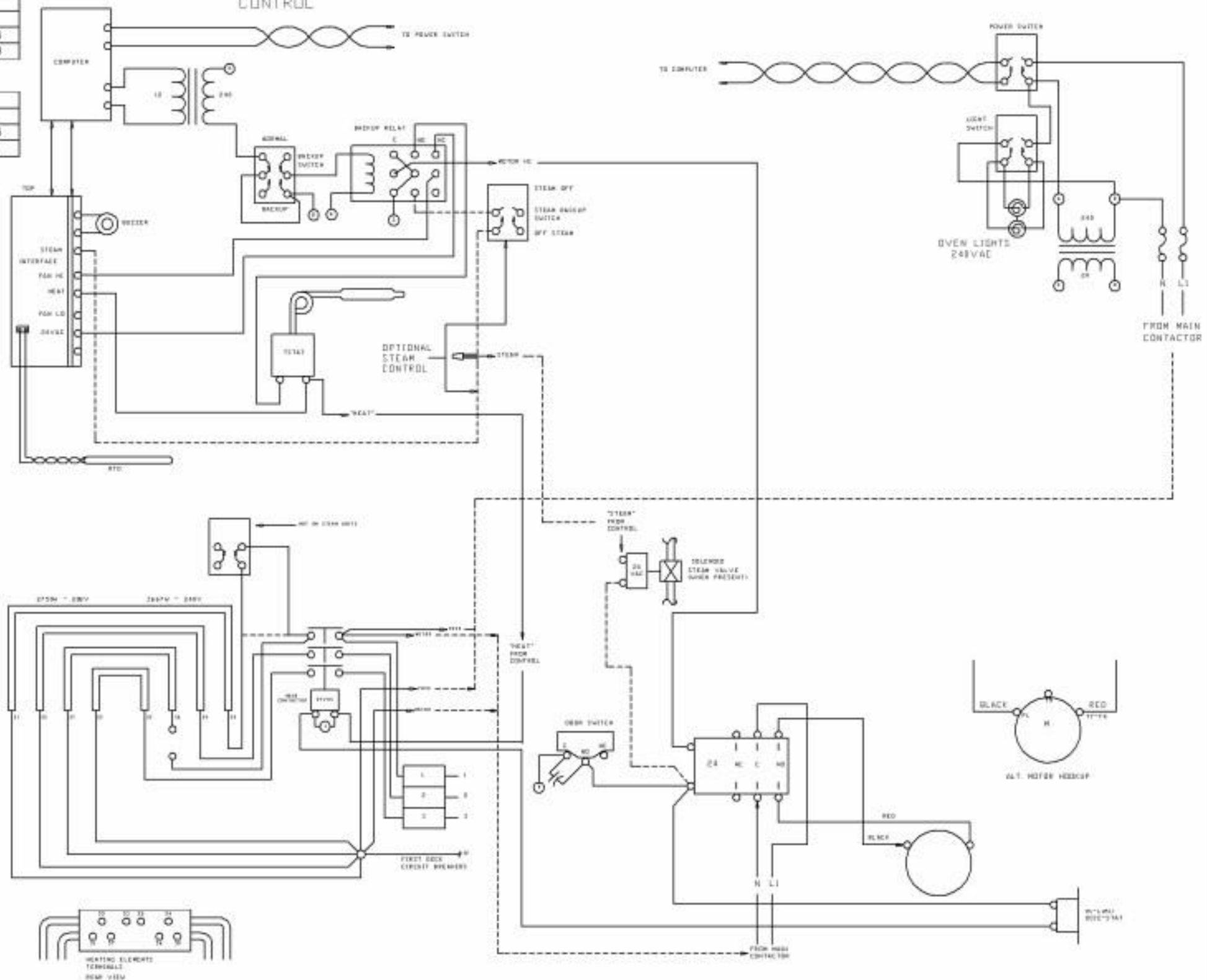
240M15 - 3PH 4 WIRE, 50 OR 60 Hz

	VOLTS	KW			TOTAL	AMPS			
		L1-N	L2-N	L3-N		L1	L2	L3	N
1 DECK		4.3	3.7	3.7	11.0	17.8	15.3	15.3	17.8
2 DECK		8.0	8.0	7.4	22.0	33.1	33.1	30.6	33.1

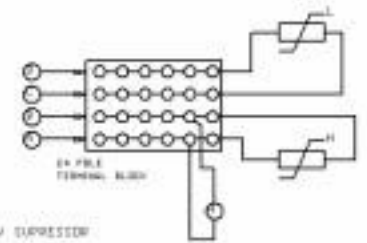
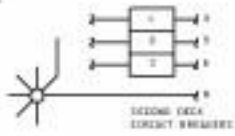
Phasing Instructions
Wire Numbers From Circuit Breakers

		Neutral	Line 1	Line 2	Line 3
Bottom Deck	3 Phase	N	1	2	3
	1 Phase	N	1, 2, 3	-	-
Top Deck	3 Phase	N	4	5	6
	1 Phase	N	4, 5, 6	-	-

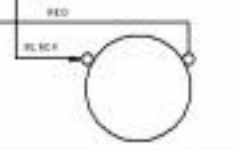
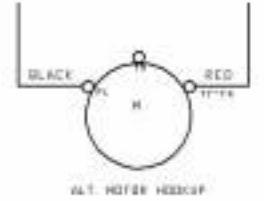
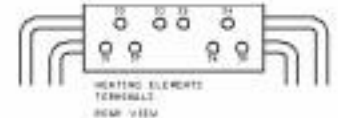
-C & -C -S M
CONTROL



SECOND DECK WIRING IDENTICAL FIRST DECK



- LE V SUPPRESSOR
- HI V SUPPRESSOR
- 60V DIMMER
- 10V DIMMER
- CONDENSER CAPACITOR



24VAC TRANSFORMER