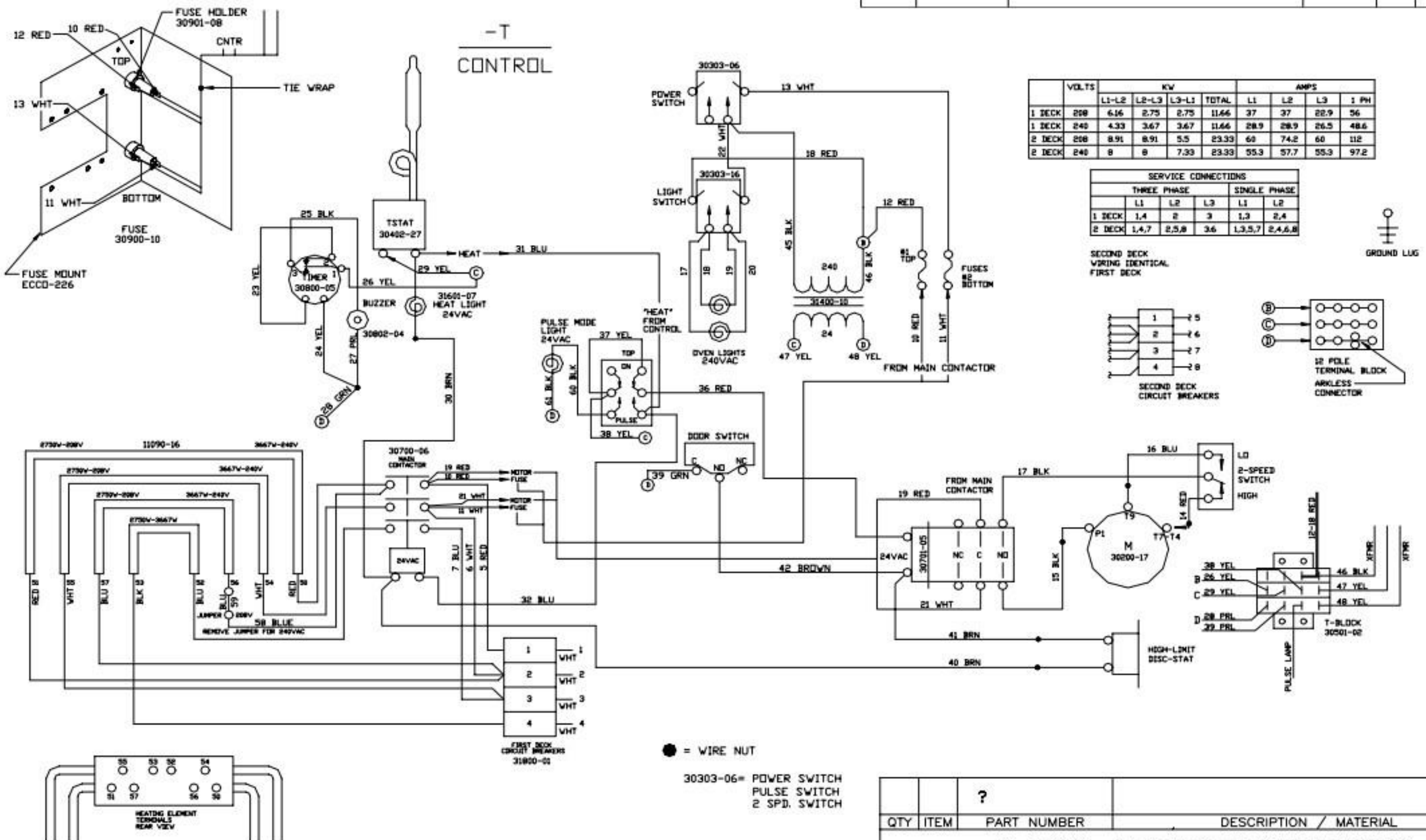


REVISION BLOCK

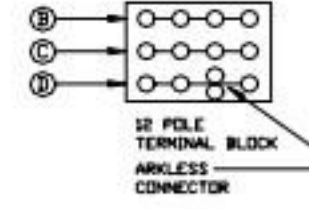
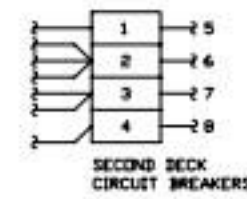
REV	ECN NO.	DESCRIPTION	DR:	MFG	ENG	DATE



	VOLTS	KW			TOTAL	AMPS			
		L1-L2	L2-L3	L3-L1		L1	L2	L3	1 PH
1 DECK	208	6.16	2.75	2.75	11.66	37	37	22.9	96
1 DECK	240	4.33	3.67	3.67	11.66	28.9	28.9	26.5	48.6
2 DECK	208	8.91	8.91	5.5	23.33	60	74.2	60	112
2 DECK	240	8	8	7.33	23.33	55.3	57.7	55.3	97.2

	SERVICE CONNECTIONS					
	THREE PHASE			SINGLE PHASE		
	L1	L2	L3	L1	L2	
1 DECK	1,4	2	3	1,3	2,4	
2 DECK	1,4,7	2,5,8	3,6	1,3,5,7	2,4,6,8	

SECOND DECK WIRING IDENTICAL FIRST DECK



● = WIRE NUT

30303-06= POWER SWITCH
PULSE SWITCH
2 SPD. SWITCH

QTY	ITEM	PART NUMBER	DESCRIPTION / MATERIAL

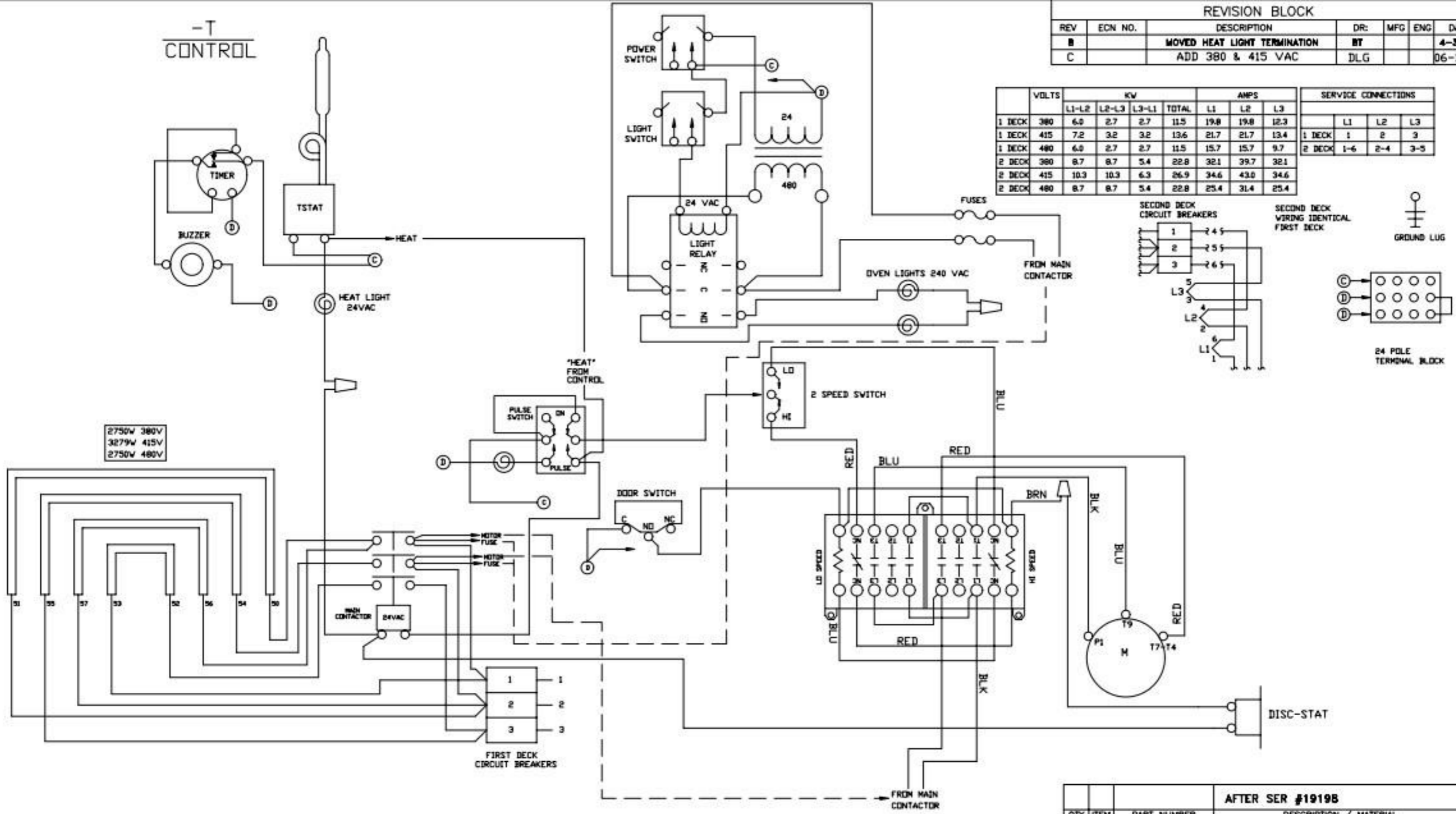
LANG MANUFACTURING

DR: BDM DATE:	TITLE:	W/D ECCO-T	
CK: DATE:	208/240VAC		
TOLERANCES FRACTIONS DECIMALS ± 1/64 .X ± .05 ANGLES .XX ± .03 ± .5° .XXX ± .015 UNLESS OTHERWISE SPECIFIED DIMENSIONS ARE IN INCHES	NEXT HIGHER ASSY.	SHEET	DRAWING NUMBER
SCALE: TO FIT	1 OF 1	61111-121	REV B

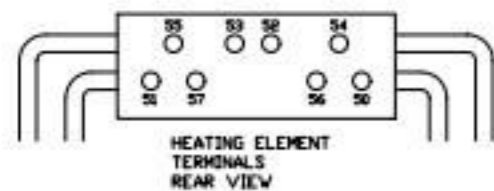
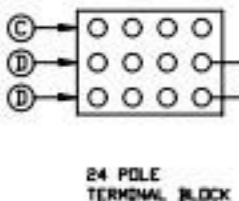
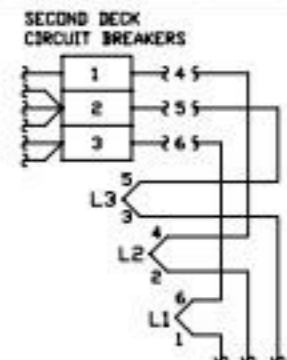
-T
CONTROL

REVISION BLOCK						
REV	ECN NO.	DESCRIPTION	DR:	MFG	ENG	DATE
B		MOVED HEAT LIGHT TERMINATION	BT			4-30-88
C		ADD 380 & 415 VAC	DLG			06-15-01

	VOLTS	KW			AMPS			SERVICE CONNECTIONS				
		L1-L2	L2-L3	L3-L1	TOTAL	L1	L2	L3	L1	L2	L3	
1 DECK	380	6.0	2.7	2.7	11.5	19.8	19.8	12.3				
1 DECK	415	7.2	3.2	3.2	13.6	21.7	21.7	13.4	1 DECK	1	2	3
1 DECK	480	6.0	2.7	2.7	11.5	15.7	15.7	9.7	2 DECK	1-6	2-4	3-5
2 DECK	380	8.7	8.7	5.4	22.8	32.1	39.7	32.1				
2 DECK	415	10.3	10.3	6.3	26.9	34.6	43.0	34.6				
2 DECK	480	8.7	8.7	5.4	22.8	25.4	31.4	25.4				



2750W	380V
3279W	415V
2750W	480V



		AFTER SER #1919B	
QTY	ITEM	PART NUMBER	DESCRIPTION / MATERIAL
LANG MANUFACTURING			
DR:	SRC	DATE: 12-14-84	TITLE: W/D ECCO-T
CK:	DATE:		
TOLERANCES			
FRACTIONS	DECIMALS		
* 1/64	.X ± .05		
ANGLES	.XX ± .03		
± .5°	.XXX ± .015		
UNLESS OTHERWISE SPECIFIED DIMENSIONS ARE IN INCHES			
SCALE:	TO FIT	NEXT HIGHER ASSY.	SHEET
		1 OF 1	DRAWING NUMBER
			61111-120
		REV	C