

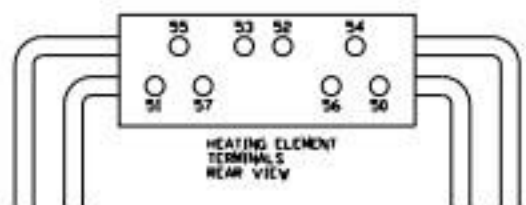
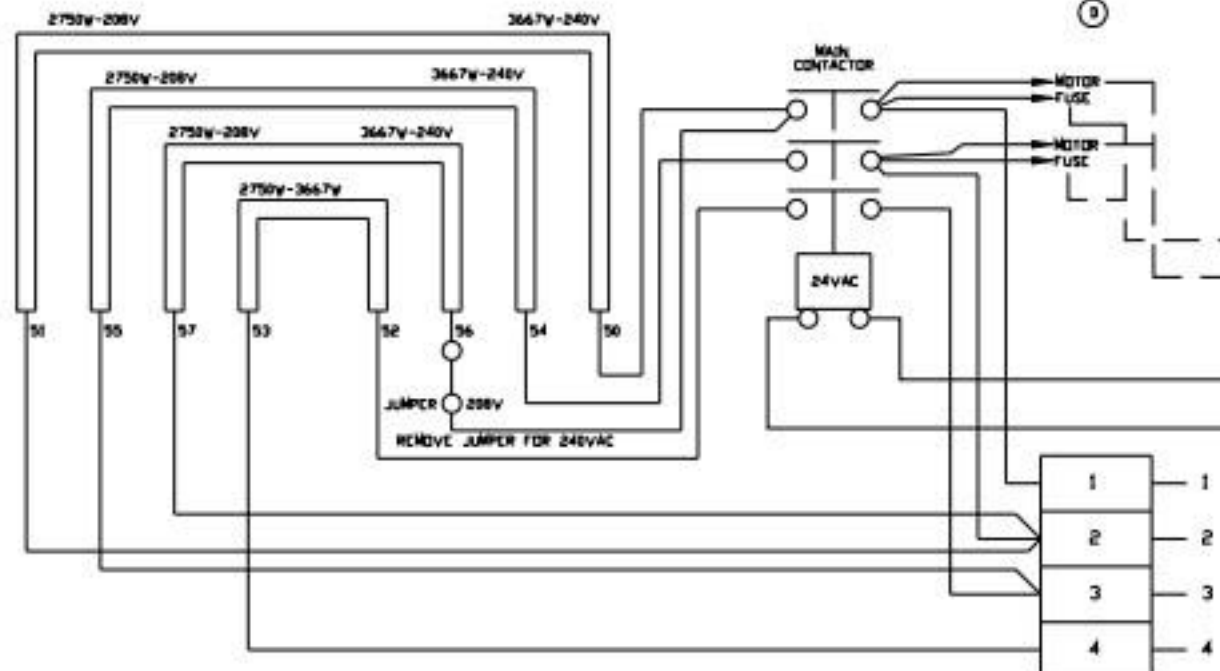
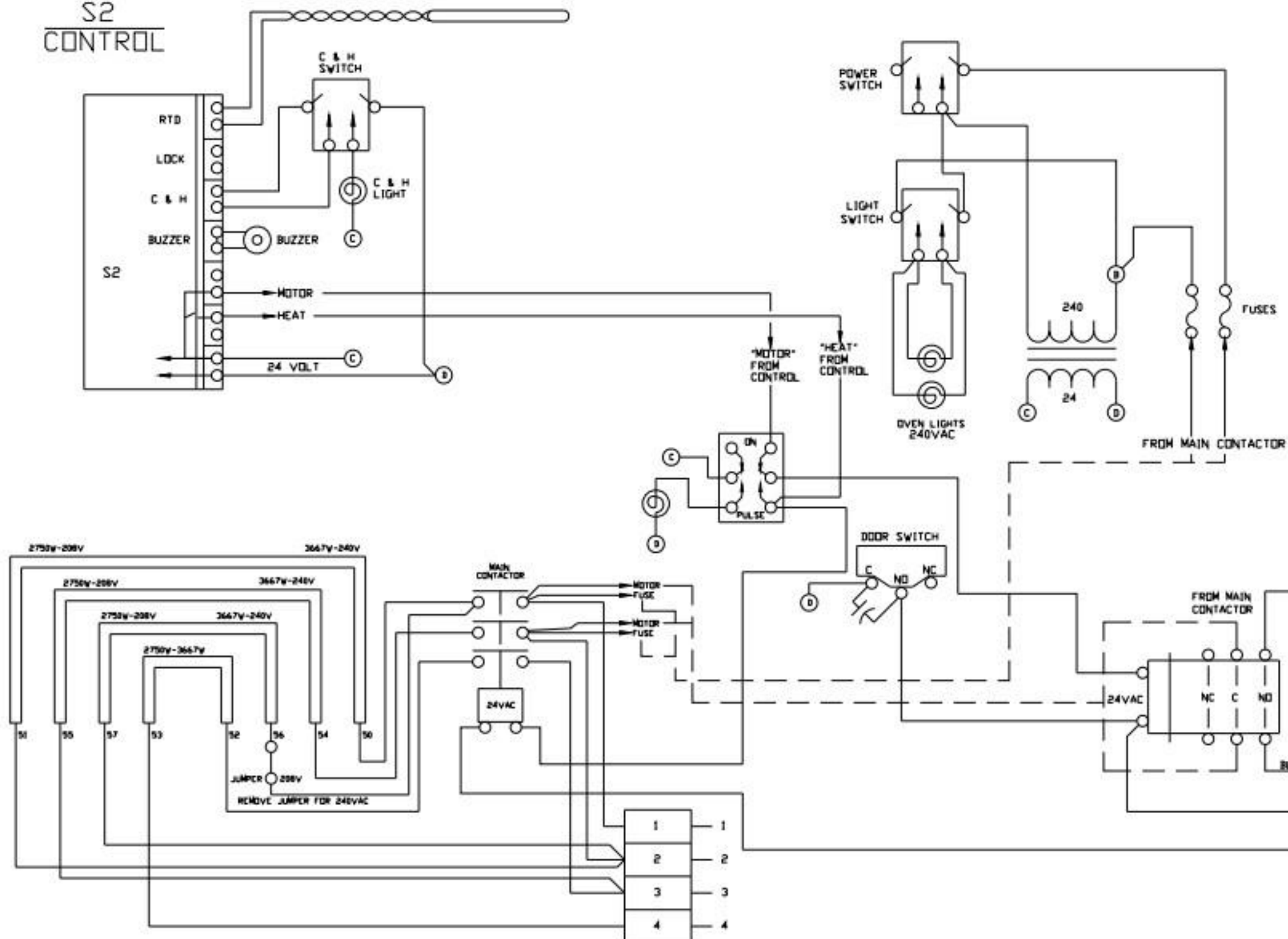
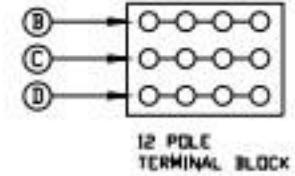
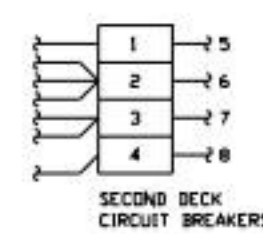
S2 CONTROL

REVISION BLOCK						
REV	ECN NO.	DESCRIPTION	DR:	MFG	ENG	DATE
B		ADDED CAP TO DOOR SWITCH	SRC		FD	5-15-95

	VOLTS	KW				AMPS			
		L1-L2	L2-L3	L3-L1	TOTAL	L1	L2	L3	1 PH
1 DECK	208	6.16	2.75	2.75	11.66	37	37	22.9	56
1 DECK	240	4.33	3.67	3.67	11.66	28.9	28.9	26.5	48.6
2 DECK	208	8.91	8.91	5.5	23.33	60	74.2	60	112
2 DECK	240	8	8	7.33	23.33	55.3	57.7	55.3	97.2

SERVICE CONNECTIONS					
	THREE PHASE			SINGLE PHASE	
	L1	L2	L3	L1	L2
1 DECK	1,4	2	3	1,3	2,4
2 DECK	1,4,7	2,5,8	3,6	1,3,5,7	2,4,6,8

SECOND DECK WIRING IDENTICAL FIRST DECK

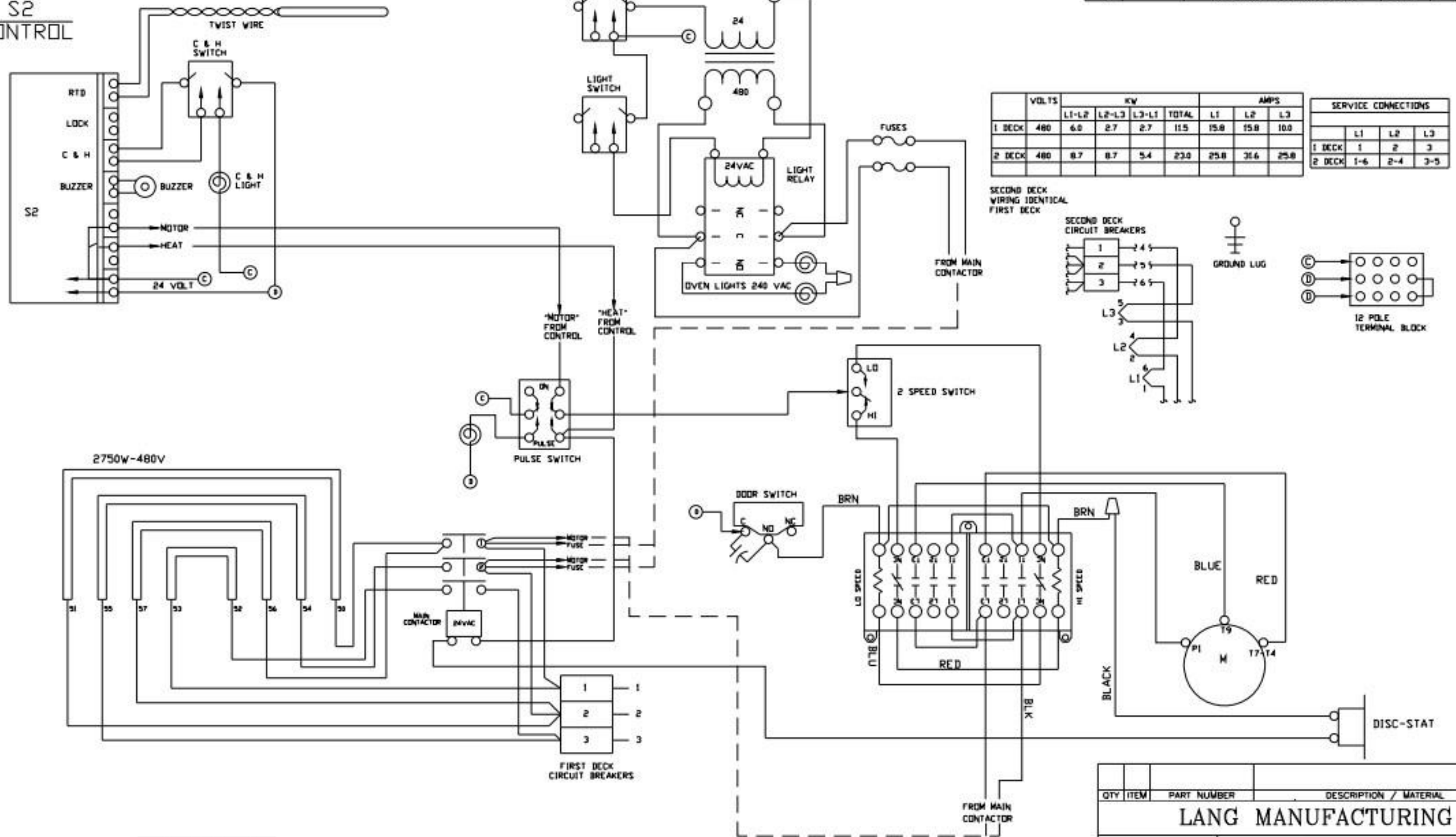


● = WIRE NUT

QTY	ITEM	PART NUMBER	DESCRIPTION / MATERIAL
LANG MANUFACTURING			
DR: SRC DATE: 12-14-94		TITLE: W/D ECCO-S2	
CK: FD DATE: 12-14-94			
208-240VAC			
TOLERANCES		NEXT HIGHER ASSY.	
FRACTIONS DECIMALS		SHEET	
± 1/64 .0015		DRAWING NUMBER	
± 1/32 .0030		REV	
± 1/16 .0045		1 OF 1	
± 3/32 .0090		61111-111	
± 1/8 .0180		B	
± 1/4 .0360			
± 3/8 .0720			
± 1/2 .1440			
± 3/4 .2160			
± 1 .4320			
UNLESS OTHERWISE SPECIFIED DIMENSIONS ARE IN INCHES			
SCALE: N/A			

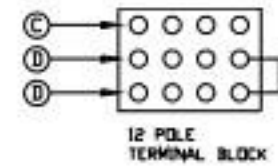
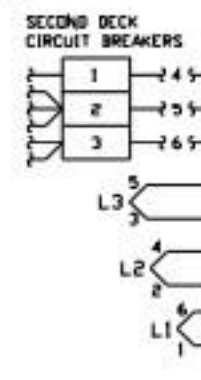
S2 CONTROL

REVISION BLOCK						
REV	ECN NO.	DESCRIPTION	DR:	MFG	ENG	DATE
C		ADDED NEW TERMINAL BLOCK	SRC			1-23-88

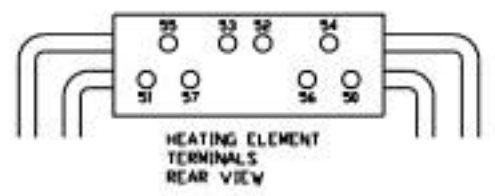
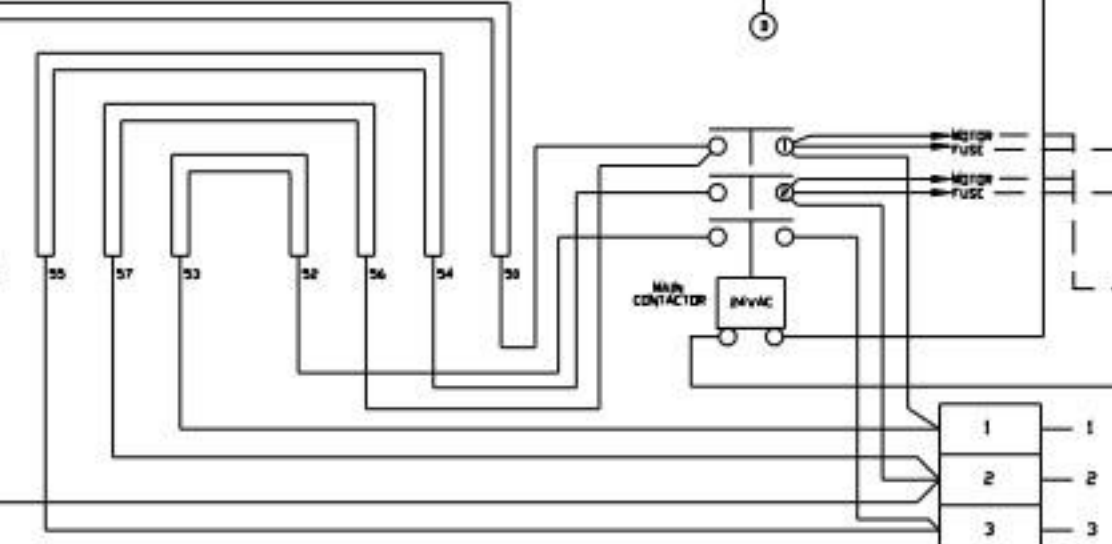


	VOLTS	KW			TOTAL	AMPS		
		L1-L2	L2-L3	L3-L1		L1	L2	L3
1 DECK	480	6.0	2.7	2.7	11.5	15.8	15.8	10.0
2 DECK	480	8.7	8.7	5.4	23.0	25.8	31.6	25.8

SERVICE CONNECTIONS			
	L1	L2	L3
1 DECK	1	2	3
2 DECK	1-6	2-4	3-5



2750W-480V



QTY	ITEM	PART NUMBER	DESCRIPTION / MATERIAL
LANG MANUFACTURING			
DR: SRC DATE: 12-14-84		TITLE: W/D ECCO-S2	
CK: FJD DATE: 12-14-84		480VAC	
TOLERANCES FRACTIONS DECIMALS ± 1/64 .001 ± .05 ANGLES .001 ± .03 .001 ± .015 UNLESS OTHERWISE SPECIFIED DIMENSIONS ARE IN INCHES			
SCALE: TO FIT		NEXT HIGHER ASSY. SHEET	DRAWING NUMBER REV
		1 OF 1	61111-112 C