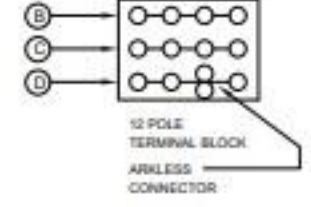
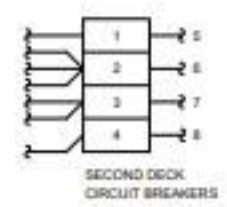


REV	ECN NO.	DESCRIPTION	DR:	MFG	ENG	DATE

	VOLTS	KW				AMPS			
		L1-L2	L2-L3	L3-L1	TOTAL	L1	L2	L3	1 PH
1 DECK	208	6.16	2.75	2.75	11.66	37	37	22.9	56
1 DECK	240	4.33	3.67	3.67	11.66	28.9	28.9	26.5	48.6
2 DECK	208	8.91	8.91	5.5	23.33	60	74.2	60	112
2 DECK	240	8	8	7.33	23.33	55.3	57.7	55.3	97.3

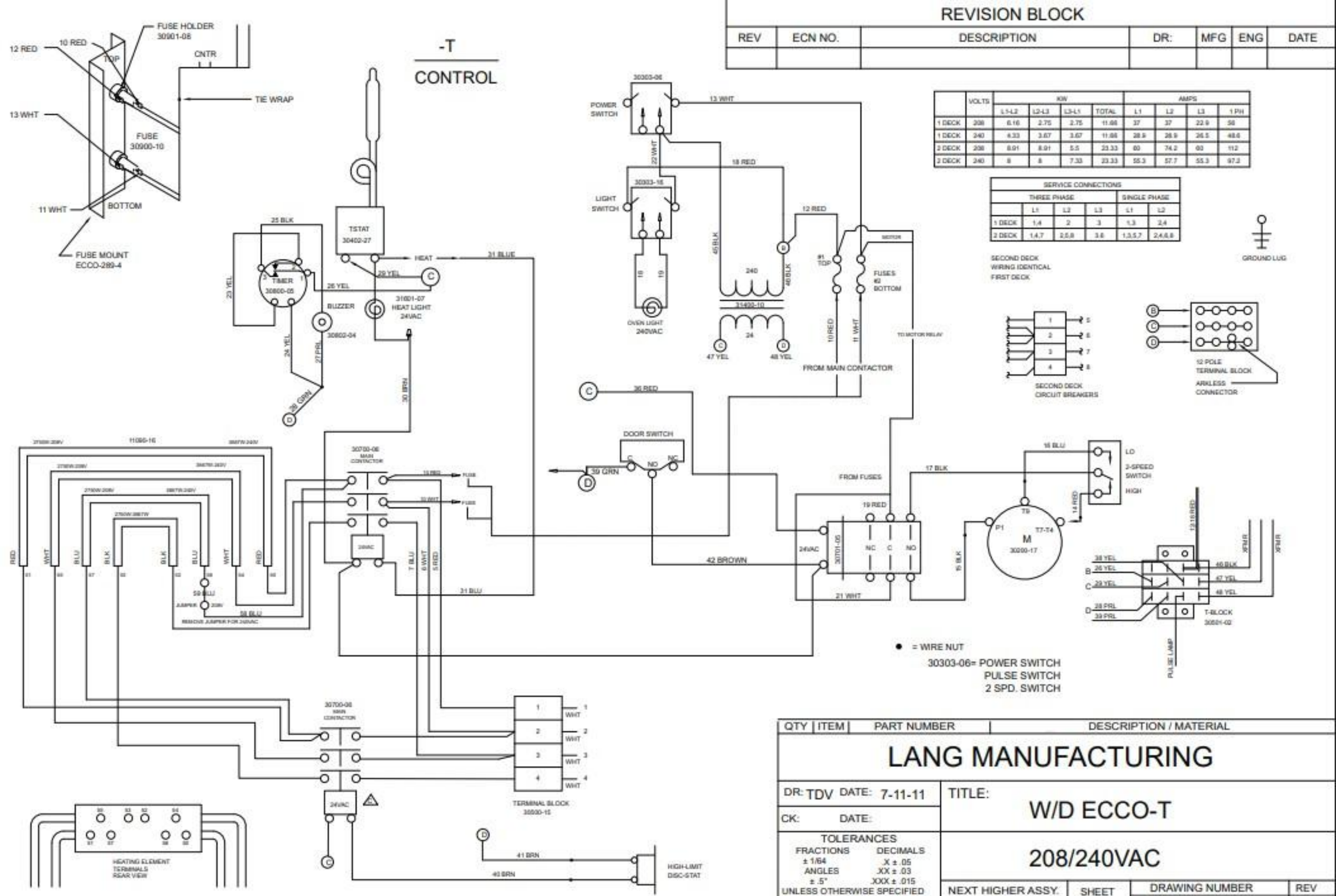
	THREE PHASE			SINGLE PHASE	
	L1	L2	L3	L1	L2
1 DECK	1.4	2	3	1.3	2.4
2 DECK	1.47	2.58	3.6	1.357	2.468

SECOND DECK WIRING IDENTICAL FIRST DECK



● = WIRE NUT
30303-06= POWER SWITCH
PULSE SWITCH
2 SPD. SWITCH

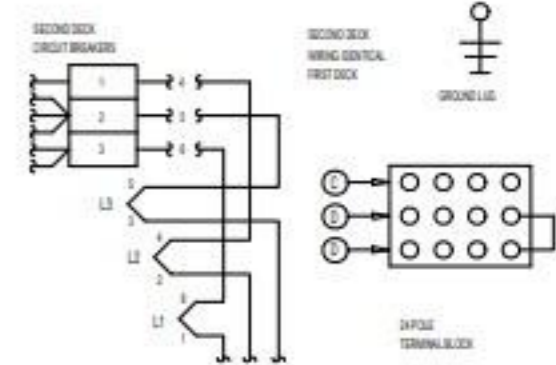
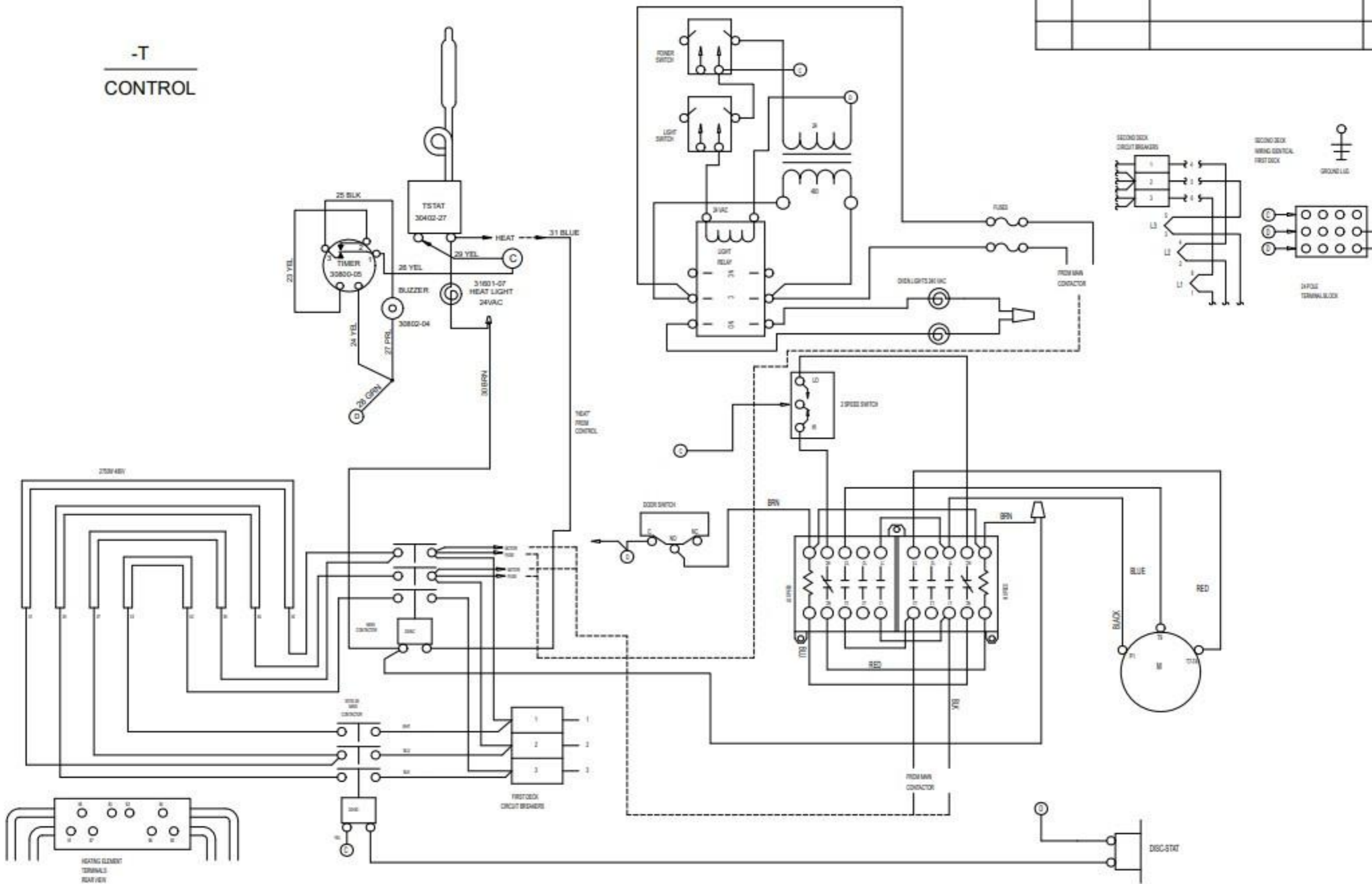
-T CONTROL



QTY	ITEM	PART NUMBER	DESCRIPTION / MATERIAL
LANG MANUFACTURING			
DR: TDV DATE: 7-11-11		TITLE: W/D ECCO-T	
CK: DATE:		208/240VAC	
TOLERANCES FRACTIONS DECIMALS ± 1/64 X ± .05 ANGLES XX ± .03 ± 5" JXX ± .015 UNLESS OTHERWISE SPECIFIED DIMENSIONS ARE IN INCHES			
SCALE: TO FIT		NEXT HIGHER ASSY.	SHEET
		DRAWING NUMBER	
		61111-121-1	
		OF	REV

REV.	DATE/ECO	DESCRIPTION OF CHANGE	DR

-T
CONTROL



250V AC

HEATING ELEMENT
TERMINALS
REAR VIEW

○ -WIRE



DWN BY:	DWN DATE:	REV BY:	REV DATE:	CHK BY:	CHK DATE:
DESCRIPTION: W/D ECCO-T - 480,380 VAC					
CAD FILE: FROM ACAD	DWG. NO: 2M-61111-110-1	SHEET 1 OF 1		REV. A	