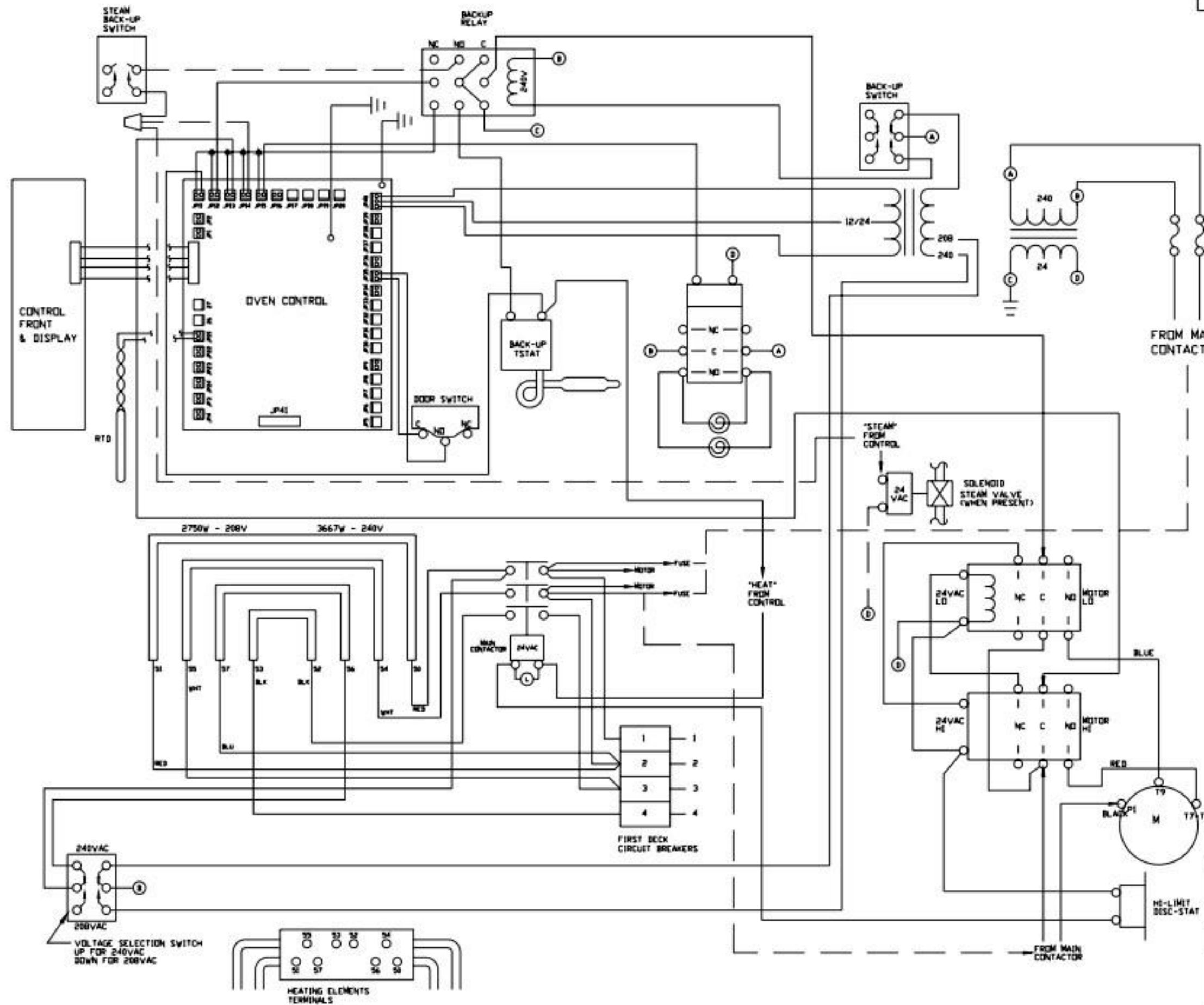
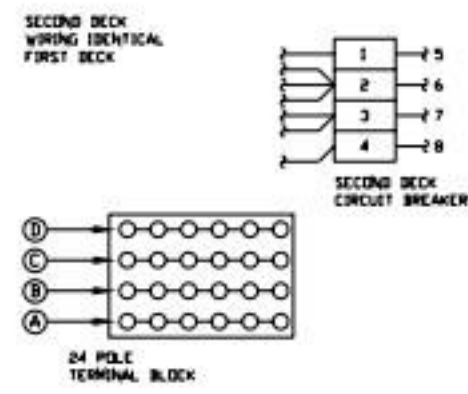


REVISION BLOCK						
REV	ECN NO.	DESCRIPTION	DR:	MFG	ENG	DATE
A		ADDED 208/240VAC TOGGLE SWITCH	BT			6-9-88



- JP11 = HEAT
- JP12 = HI SP MOTOR
- JP13 = LO SP MOTOR
- JP14 = OPT STEAM
- JP15 = OVEN LIGHTS
- JP21 = RTD
- JP35 = DOOR SW
- JP40 = POWER SUPPLY
- GP3 = CHASSIS GROUND
- GP4 = CHASSIS GROUND
- JP41 = RS232 CONNECTOR



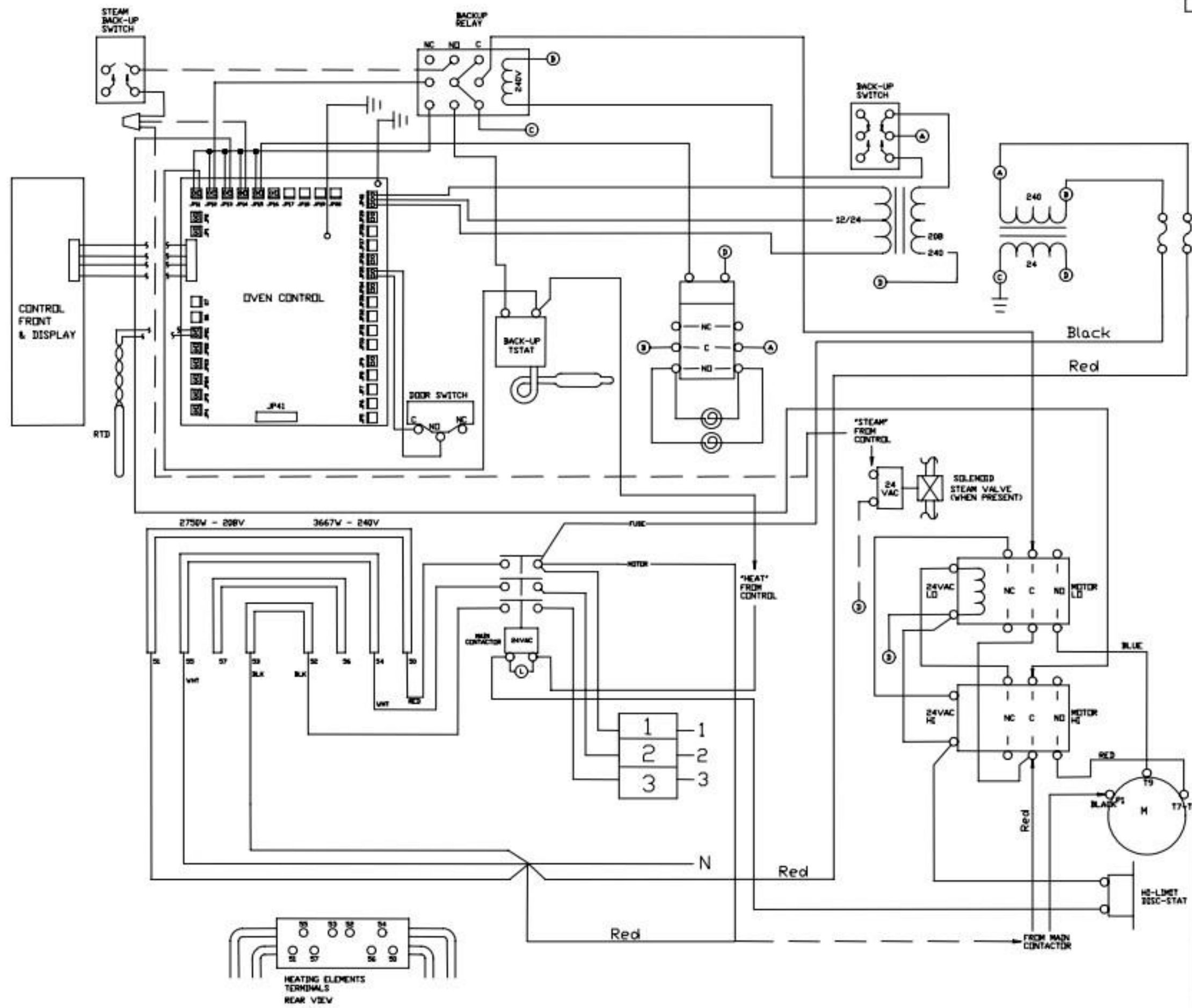
	VOLTS	KW			AMPS				
		L1-L2	L2-L3	L3-L1	TOTAL	L1	L2	L3	1 PHASE
1 DECK	208	6.36	2.75	2.75	11.66	37	37	22.9	56
1 DECK	240	4.33	3.67	3.67	11.66	28.9	28.9	26.5	48.6
2 DECK	208	8.91	8.91	5.5	23.33	60	74.2	60	152
2 DECK	240	8	8	7.33	23.33	55.3	57.7	55.3	97.2

	SERVICE CONNECTIONS					
	THREE PHASE			SINGLE PHASE		
	L1	L2	L3	L1	L2	
1 DECK	1,4	2	3	1,3	2,4	
2 DECK	1,4,7	2,5,8	3,6	1,3,5,7	2,4,6,8	

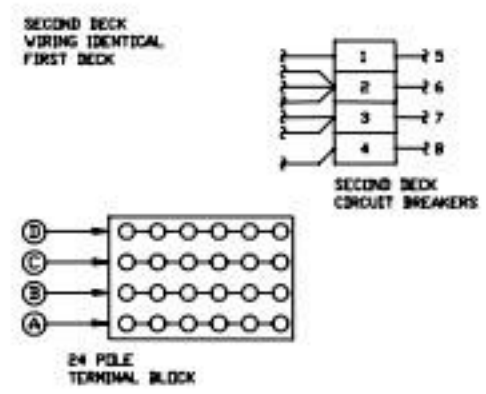
PLATINUM

QTY	ITEM	PART NUMBER	DESCRIPTION / MATERIAL
LANG MANUFACTURING			
DR: SMC DATE: 1-7-88		TITLE: W/D ECCO-PT	
CK: FJD DATE: 5-18-88		208/240VAC	
TOLERANCES		NEXT HIGHER ASSY.	
FRACTIONS DECIMALS		SHEET	
± 1/64 .005		DRAWING NUMBER	
± 1/32 .010		REV	
± 1/16 .015		1 OF 1	
UNLESS OTHERWISE SPECIFIED		61111-143	
DIMENSIONS ARE IN INCHES		A	
SCALE: TO FIT			

REVISION BLOCK						
REV	ECN NO.	DESCRIPTION	DR:	MFG	ENG	DATE
B			CDS			11/17/99



- JP11 = HEAT
- JP12 = HI SP MOTOR
- JP13 = LO SP MOTOR
- JP14 = DPT STEAM
- JP15 = OVEN LIGHTS
- JP21 = RTD
- JP35 = DOOR SW
- JP40 = POWER SUPPLY
- GP3 = CHASSIS GROUND
- GP4 = CHASSIS GROUND
- JP41 = RS232 CONNECTOR



220/380-3 PH 4 WIRE 50 OR 60 HZ

	VOLTS	KILOWATTS			AMPS				
		L1-N	L2-N	L3-N	TOTAL	L1	L2	L3	N
1 DECK		3.7	3.1	3.1	9.9	16.8	14.1	14.1	16.8
2 DECK		4.3	3.8	3.8	11.9	28.9	28.7	28.7	28.9

240/415-3 PH 4 WIRE 50 OR 60 HZ

	VOLTS	KILOWATTS			AMPS				
		L1-N	L2-N	L3-N	TOTAL	L1	L2	L3	N
1 DECK		4.3	3.7	3.7	11.7	17.8	15.3	15.3	17.8
2 DECK		8	8	7.4	23.4	33.1	33.1	30.6	33.1

SERVICE CONNECTIONS				
THREE PHASE				
	L1	L2	L3	N
1 DECK	1	2	3	N
2 DECK				

PLATINUM

QTY	ITEM	PART NUMBER	DESCRIPTION / MATERIAL
LANG MANUFACTURING			
DR: 590 DATE: 1-7-98		TITLE: W/D ECCO-PT	
CK: DATE:		220/380VAC & 240/415VAC	
TOLERANCES		NEXT HIGHER ASSY. SHEET	
FRACTIONS DECIMALS		DRAWING NUMBER	
± 1/64 .0015 ± .00		61111161	
ANGLES .001 ± .005		REV	
± .5° .001 ± .015		1 OF 1	
UNLESS OTHERWISE SPECIFIED DIMENSIONS ARE IN INCHES		B	
SCALE: TO FIT			

