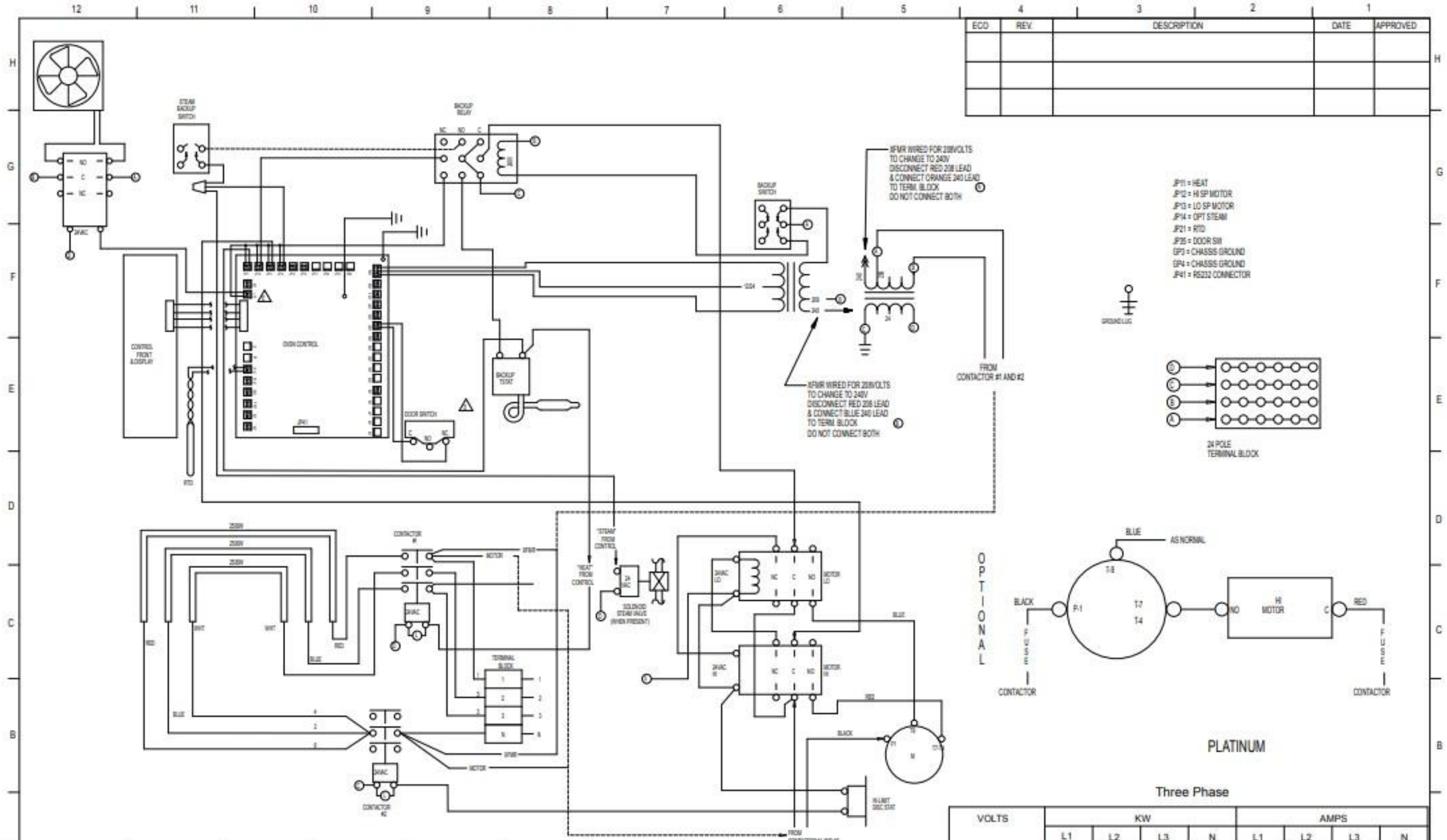


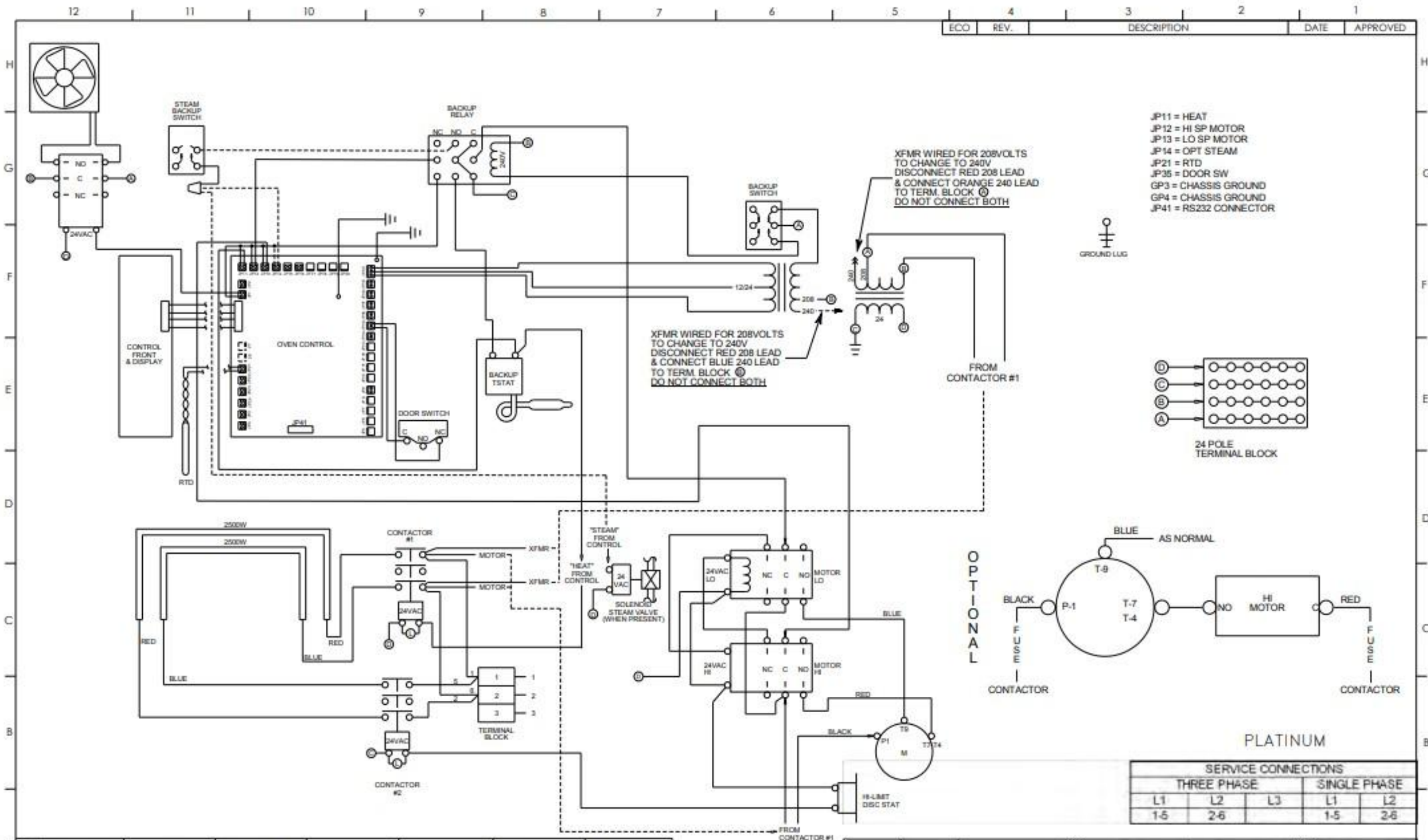
ECD	REV	DESCRIPTION	DATE	APPROVED



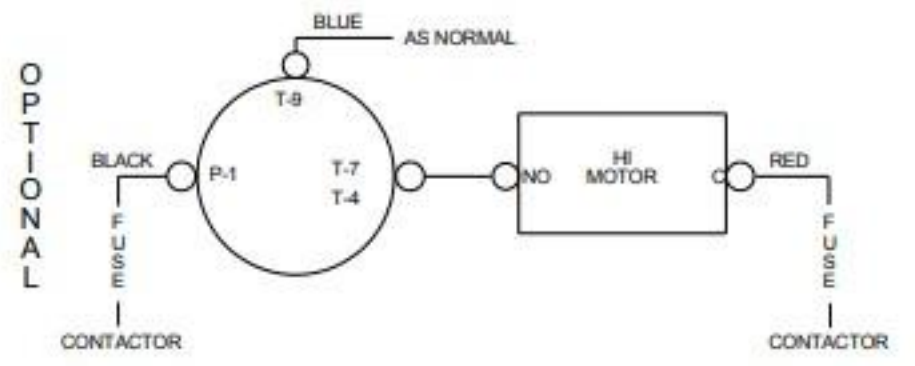
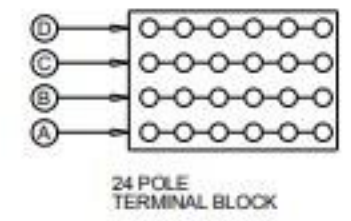
- J#1 = HEAT
- J#2 = H SP MOTOR
- J#3 = LO SP MOTOR
- J#4 = OPT STEAM
- J#21 = RTD
- J#25 = DOOR SW
- GP1 = CHASSIS GROUND
- GP4 = CHASSIS GROUND
- J#41 = RS232 CONNECTOR

VOLTS	KW				AMPS			
	L1	L2	L3	N	L1	L2	L3	N
220/380	2.4	2.1	2.1	.4	10.9	9.5	9.5	1.3
240/415	2.8	2.5	2.5	.4	11.7	10.4	10.4	1.3

Lang Manufacturing Company
 DWN BY: DLG DWN DATE: 11-18-03 REL BY: REV DATE: CHK BY: CHK DATE:
 DESCRIPTION: W/D EH PT WITH 2 SPEED MOTOR 220/380, 240/415 VAC
 CHG FILE: FROMACAD DWG. NO: 2M-61111-148-1 SHEET 1 OF 1 REV: -



- JP11 = HEAT
- JP12 = HI SP MOTOR
- JP13 = LO SP MOTOR
- JP14 = OPT STEAM
- JP21 = RTD
- JP35 = DOOR SW
- GP3 = CHASSIS GROUND
- GP4 = CHASSIS GROUND
- JP41 = RS232 CONNECTOR



SERVICE CONNECTIONS				
THREE PHASE			SINGLE PHASE	
L1	L2	L3	L1	L2
1-5	2-6		1-5	2-6

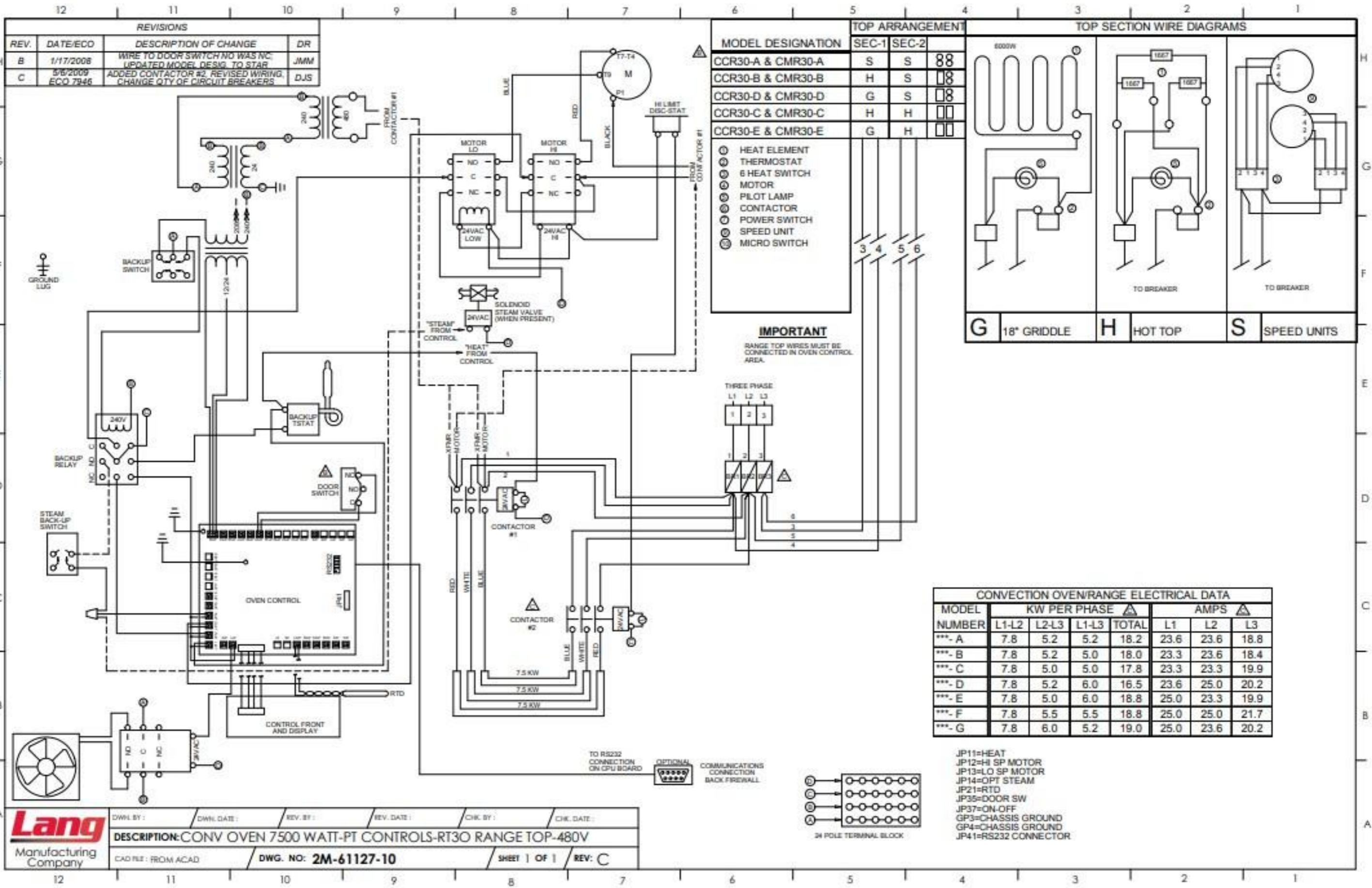
ECHO	VOLTS	KW			TOTAL	AMPS			
		L1-L2	L2-L3	L3-L1		L1	L2	L3	1 PHASE
ECOH	208	5.3	0.0	0.0	5.3	25.5	25.5	-	25.5
ECOH	240	5.3	0.0	0.0	5.3	22.1	22.1	-	22.1

Lang Manufacturing Company

DWN BY: DLG DWN DATE: 11-18-03 REV. BY: REV. DATE: CHK. BY: CHK. DATE:

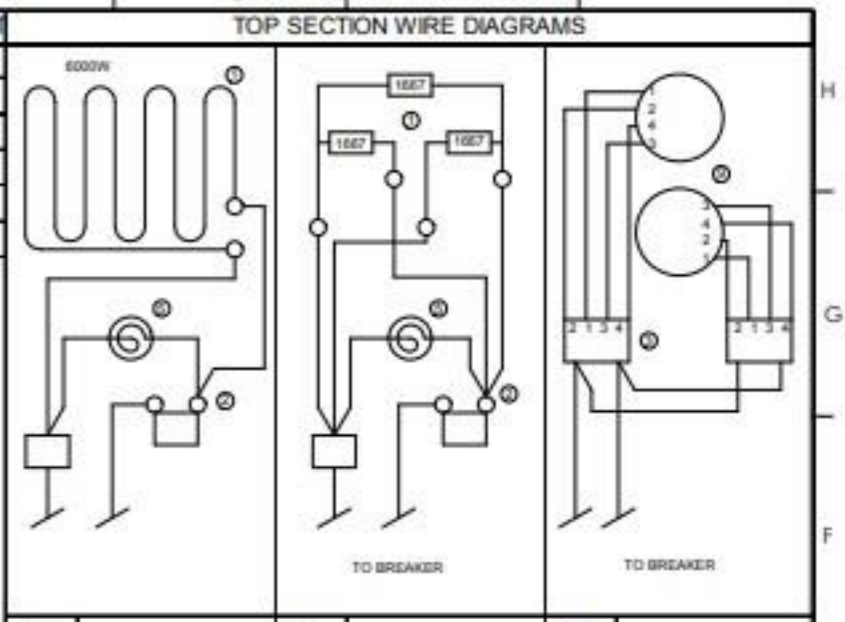
DESCRIPTION: W/D EH PT 208/240 VAC, 5KW W/ 2 SPD MTR

CAD FILE: FROM ACAD DWG. NO: 2M-61111-W178 SHEET 1 OF 1 REV: -



REVISIONS			
REV.	DATE/ECO	DESCRIPTION OF CHANGE	DR
B	1/17/2008	WIRE TO DOOR SWITCH NO WAS NC. UPDATED MODEL DESG. TO STAR	JMM
C	5/6/2009 ECO 7946	ADDED CONTACTOR #2. REVISED WIRING. CHANGE QTY OF CIRCUIT BREAKERS	DJS

MODEL DESIGNATION	TOP ARRANGEMENT	
	SEC-1	SEC-2
CCR30-A & CMR30-A	S	S
CCR30-B & CMR30-B	H	S
CCR30-D & CMR30-D	G	S
CCR30-C & CMR30-C	H	H
CCR30-E & CMR30-E	G	H



IMPORTANT
RANGE TOP WIRES MUST BE CONNECTED IN OVEN CONTROL AREA.

G 18" GRIDDLE **H** HOT TOP **S** SPEED UNITS

MODEL NUMBER	KW PER PHASE Δ				AMPS Δ		
	L1-L2	L2-L3	L1-L3	TOTAL	L1	L2	L3
***- A	7.8	5.2	5.2	18.2	23.6	23.6	18.8
***- B	7.8	5.2	5.0	18.0	23.3	23.6	18.4
***- C	7.8	5.0	5.0	17.8	23.3	23.3	19.9
***- D	7.8	5.2	6.0	16.5	23.6	25.0	20.2
***- E	7.8	5.0	6.0	18.8	25.0	23.3	19.9
***- F	7.8	5.5	5.5	18.8	25.0	25.0	21.7
***- G	7.8	6.0	5.2	19.0	25.0	23.6	20.2

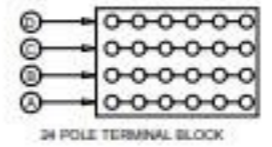
- JP11=HEAT
- JP12=HI SP MOTOR
- JP13=LO SP MOTOR
- JP14=OPT STEAM
- JP21=RTD
- JP35=DOOR SW
- JP37=ON-OFF
- GP3=CHASSIS GROUND
- GP4=CHASSIS GROUND
- JP41=RS232 CONNECTOR

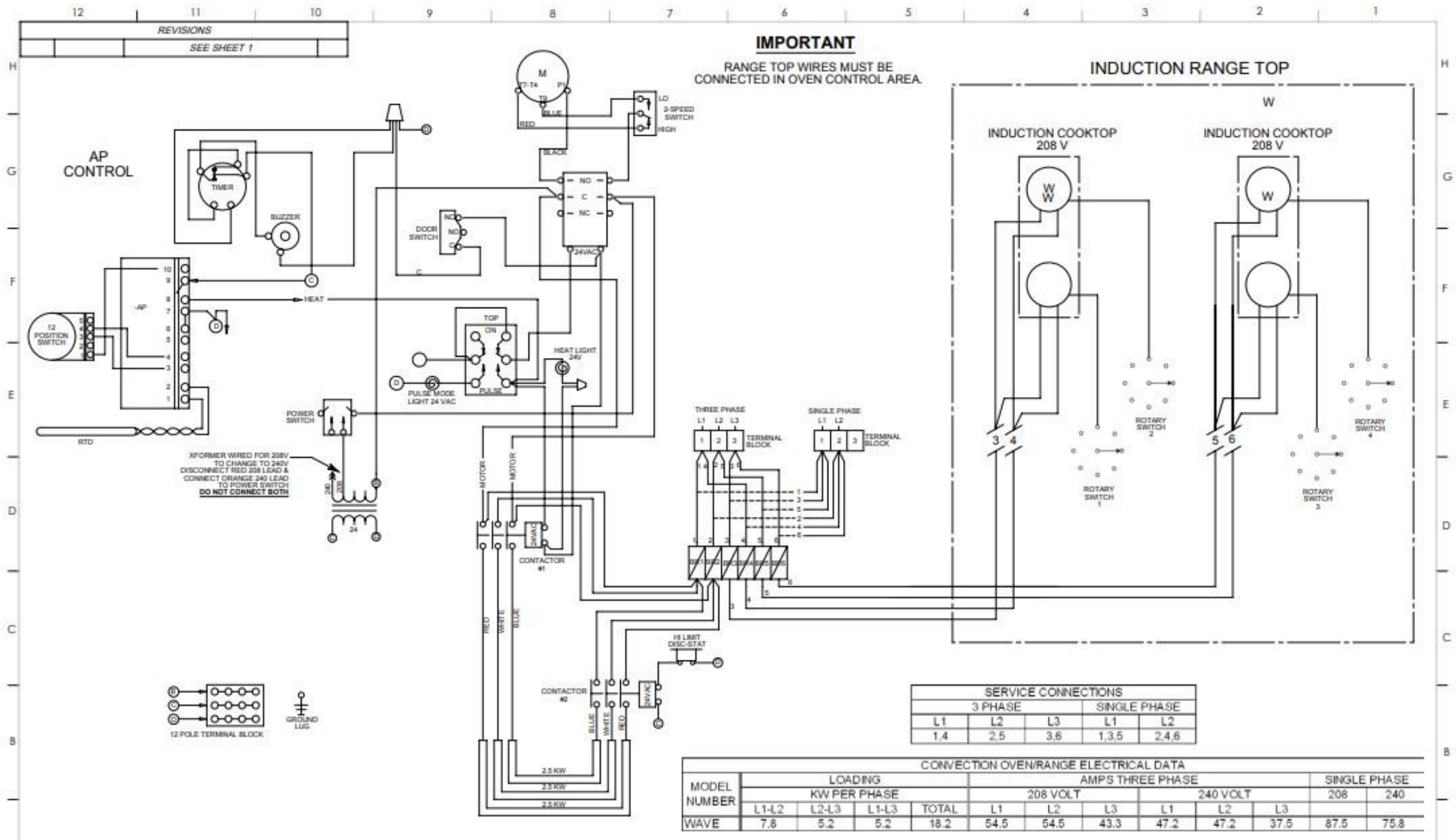
Lang Manufacturing Company

DWNL BY: _____ DWNL DATE: _____ REV. BY: _____ REV. DATE: _____ CHK. BY: _____ CHK. DATE: _____

DESCRIPTION: CONV OVEN 7500 WATT-PT CONTROLS-RT30 RANGE TOP-480V

CAD FILE: FROM ACAD DWG. NO: 2M-61127-10 SHEET 1 OF 1 REV: C





REVISIONS
SEE SHEET 1

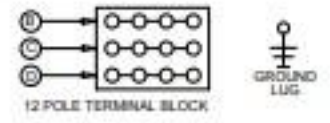
IMPORTANT
RANGE TOP WIRES MUST BE CONNECTED IN OVEN CONTROL AREA.

INDUCTION RANGE TOP

XFORMER WIRED FOR 208V TO CHANGE TO 240V DISCONNECT RED 208 LEAD & CONNECT ORANGE 240 LEAD TO POWER SWITCH DO NOT CONNECT BOTH

SERVICE CONNECTIONS				
3 PHASE			SINGLE PHASE	
L1	L2	L3	L1	L2
1,4	2,5	3,6	1,3,5	2,4,6

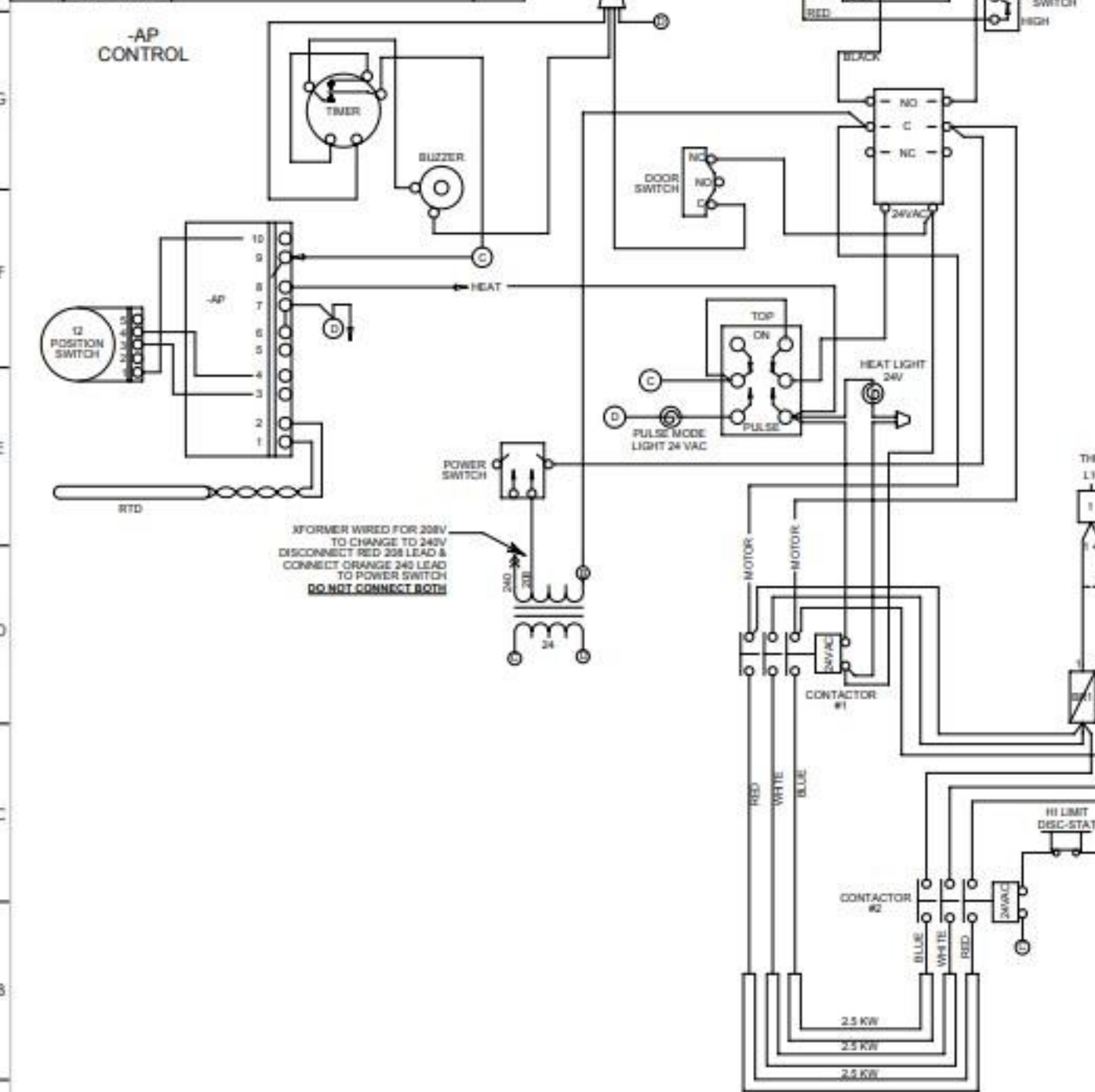
MODEL NUMBER	CONVECTION OVEN/RANGE ELECTRICAL DATA											
	LOADING				AMPS THREE PHASE						SINGLE PHASE	
	KW PER PHASE				208 VOLT			240 VOLT			208	240
WAVE	L1-L2	L2-L3	L1-L3	TOTAL	L1	L2	L3	L1	L2	L3	87.5	75.8
	7.8	5.2	5.2	18.2	54.5	54.5	43.3	47.2	47.2	37.5		



DWN. BY: _____ DWN. DATE: _____ REV. BY: _____ REV. DATE: _____ CHK. BY: _____ CHK. DATE: _____
DESCRIPTION: CONV OVEN 7500 WATT-AP CONTROLS-RT30 RANGE TOP-208/240V
 CAD FILE: FROM ACAD DWG. NO: **2M-61127-11** SHEET 2 OF 2 REV: D

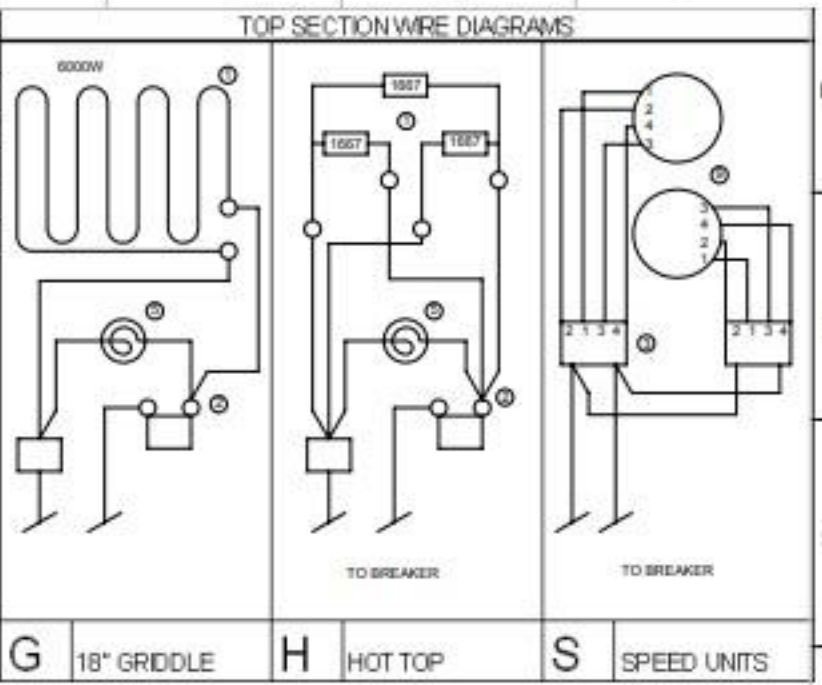
Manufacturing Company

REV.	DATE/ECO	REVISIONS	DR
B	1/17/2008	WIRE TO DOOR SWITCH NC WAS NO; UPDATED MODEL DESIG. TO STAR	JMM
C	5/7/2009 ECO 7945	ADDED CONTACTOR #2, REVISED WIRING @ MOTOR RELAY AND TIMER TO MATCH PRODUCTION	DJS
D	3/20/12 ECO 11482	ADDED SHEET 2: INDUCTION TOP	JMM



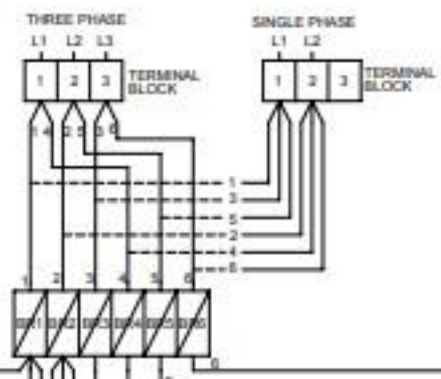
MODEL DESIGNATION	TOP ARRANGEMENT	
	SEC-1	SEC-2
CCR30-A & CMR30-A	S	S
CCR30-B & CMR30-B	H	S
CCR30-D & CMR30-D	G	S
CCR30-C & CMR30-C	H	H
CCR30-E & CMR30-E	G	H

IMPORTANT
RANGE TOP WIRES MUST BE CONNECTED IN OVEN CONTROL AREA.



G 18" GRIDDLE H HOT TOP S SPEED UNITS

SEE SHEET 2 FOR INDUCTION



SERVICE CONNECTIONS				
3 PHASE			SINGLE PHASE	
L1	L2	L3	L1	L2
1.4	2.5	3.6	1.3.5	2.4.6

MODEL NUMBER	CONNECTION OVER RANGE ELECTRICAL DATA											
	LOADING				AMPS THREE PHASE						SINGLE PHASE	
	KW PER PHASE		TOTAL		208 VOLT			240 VOLT			208	240
***A	L1-L2	L2-L3	L1-L3	TOTAL	L1	L2	L3	L1	L2	L3	208	240
***A	7.8	5.2	5.2	18.2	54.5	54.5	43.3	47.2	47.2	37.5	87.5	75.8
***B	7.8	5.2	5.0	18.0	53.7	54.5	42.5	46.6	47.2	36.8	88.5	75.0
***C	7.8	5.0	5.0	17.8	53.7	53.7	41.6	46.6	46.6	36.1	85.6	74.2
***D	7.8	5.2	6.0	18.5	57.8	54.5	46.7	49.9	47.2	40.4	79.3	68.8
***E	7.8	5.0	6.0	18.8	57.6	53.7	45.9	49.9	46.6	39.6	90.4	78.3
***F	7.8	5.5	5.5	18.8	55.7	55.7	45.8	48.2	48.2	39.7	90.4	78.3
***G	7.8	6.0	5.2	19.0	54.5	57.6	46.7	47.2	49.9	40.4	91.3	79.2

