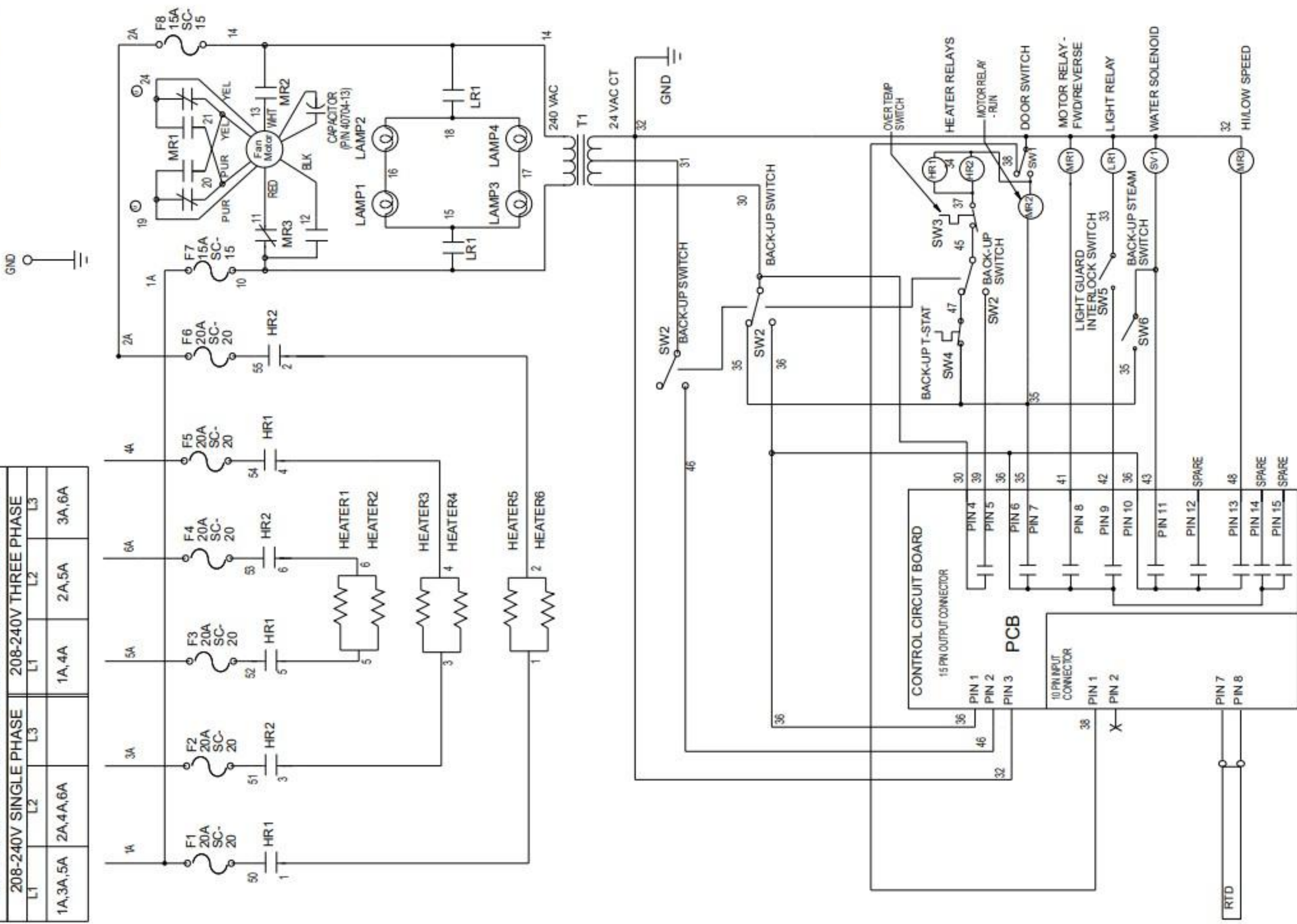


**ECSF-ES (OCE) ENVIRO STAR 208-240V SINGLE AND THREE PHASE**

**WIRING DIAGRAM**

| SERVICE ENTRANCE TERMINAL BLOCK CONNECTIONS |          |                      |             |
|---|----------|----------------------|-------------|
| 208-240V SINGLE PHASE                       |          | 208-240V THREE PHASE |             |
| L1  | L2       | L3                   | L3          |
| 1A,3A,5A                                    | 2A,4A,6A | 1A,4A                | 2A,5A 3A,6A |



DWG NO: 146-799-01

DESCRIPTION: WD ECSF-ES ENVIRO STAR 208-240V SINGLE AND THREE PHASE

SOURCE: FROM SOLIDWORKS

SHEET 1 OF 1

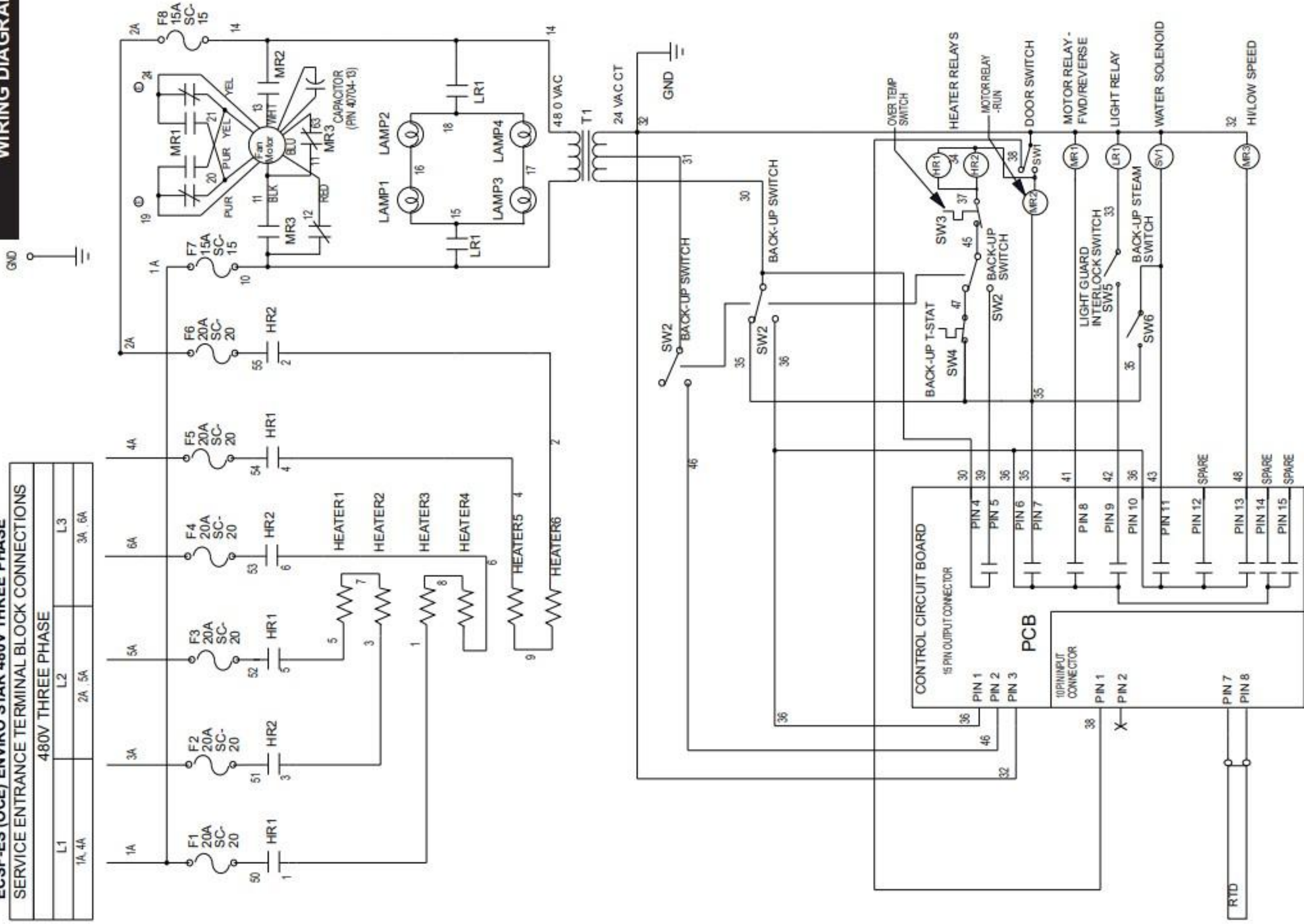
REV G

**ECSF-ES (OCE) ENVIRO STAR 480V THREE PHASE**

**SERVICE ENTRANCE TERMINAL BLOCK CONNECTIONS**

| 480V THREE PHASE |        |        |
|------------------|--------|--------|
| L1               | L2     | L3     |
| 1A, 4A           | 2A, 5A | 3A, 6A |

**WIRING DIAGRAM**

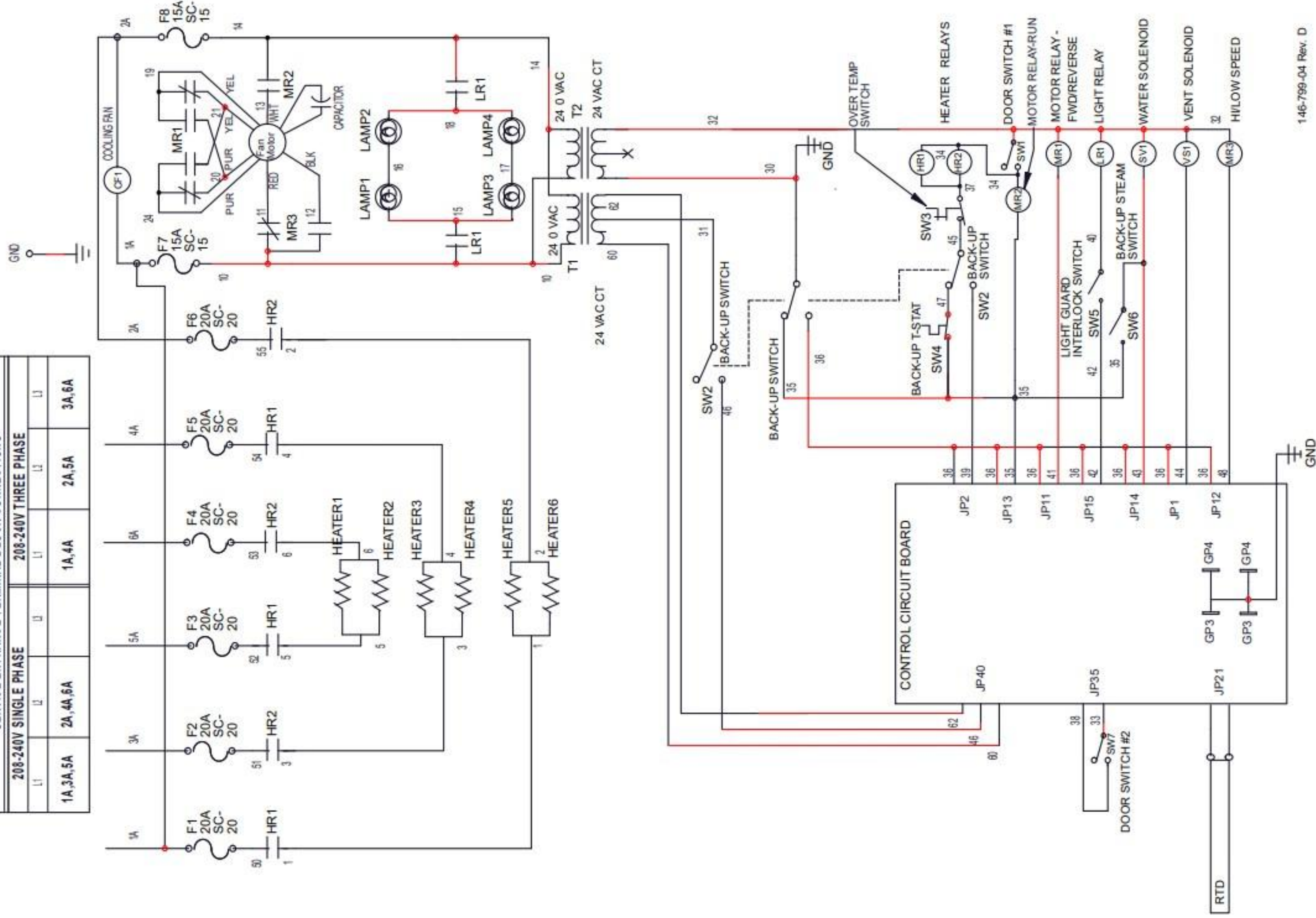


# ECSF-EZ (OCE) ENVIRO ZONE 208-240V THREE PHASE

# WIRING DIAGRAM

SERVICE ENTRANCE TERMINAL BLOCK CONNECTIONS

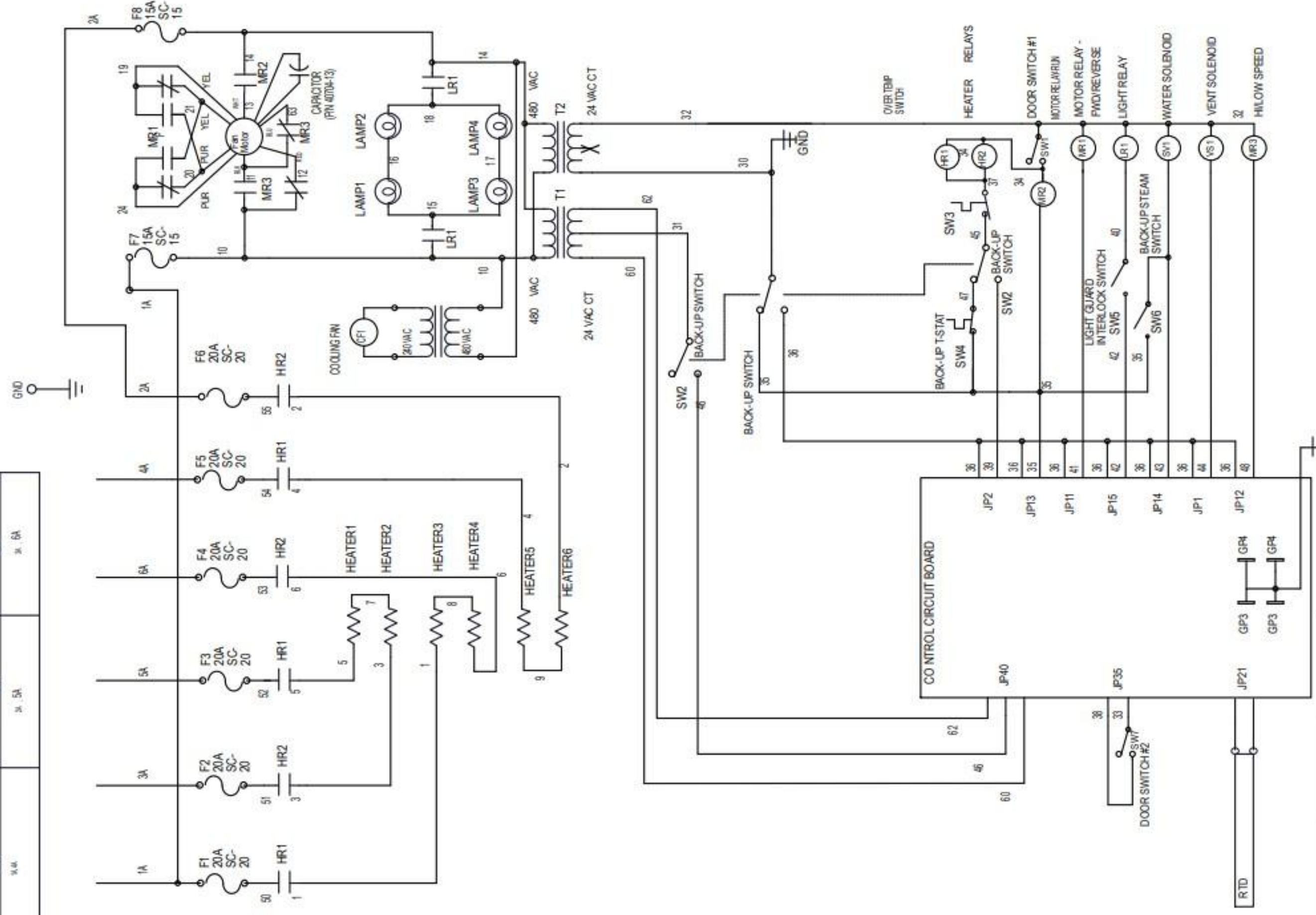
| 208-240V SINGLE PHASE |            | 208-240V THREE PHASE |                |
|-----------------------|------------|----------------------|----------------|
| L1                    | L2         | L1                   | L2             |
| 1A, 3A, 5A            | 2A, 4A, 6A | 1A, 4A               | 2A, 5A, 3A, 6A |



**WIRING DIAGRAM**

**SERVICE ENTRANCE TERMINAL BLOCK CONNECTIONS**

|                  |    |
|------------------|----|
| 480V THREE PHASE |    |
| L1               | L2 |
| 3A               | 6A |



**Lang**

DATE: HLP / DWN DATE: 8/10/05

DESCRIPTION: WD: ECSF / OCE ENVIRO ZONE 480V THREE PHASE

DWG. NO. 146-799-05

SHEET 1 OF 1 / REV. E