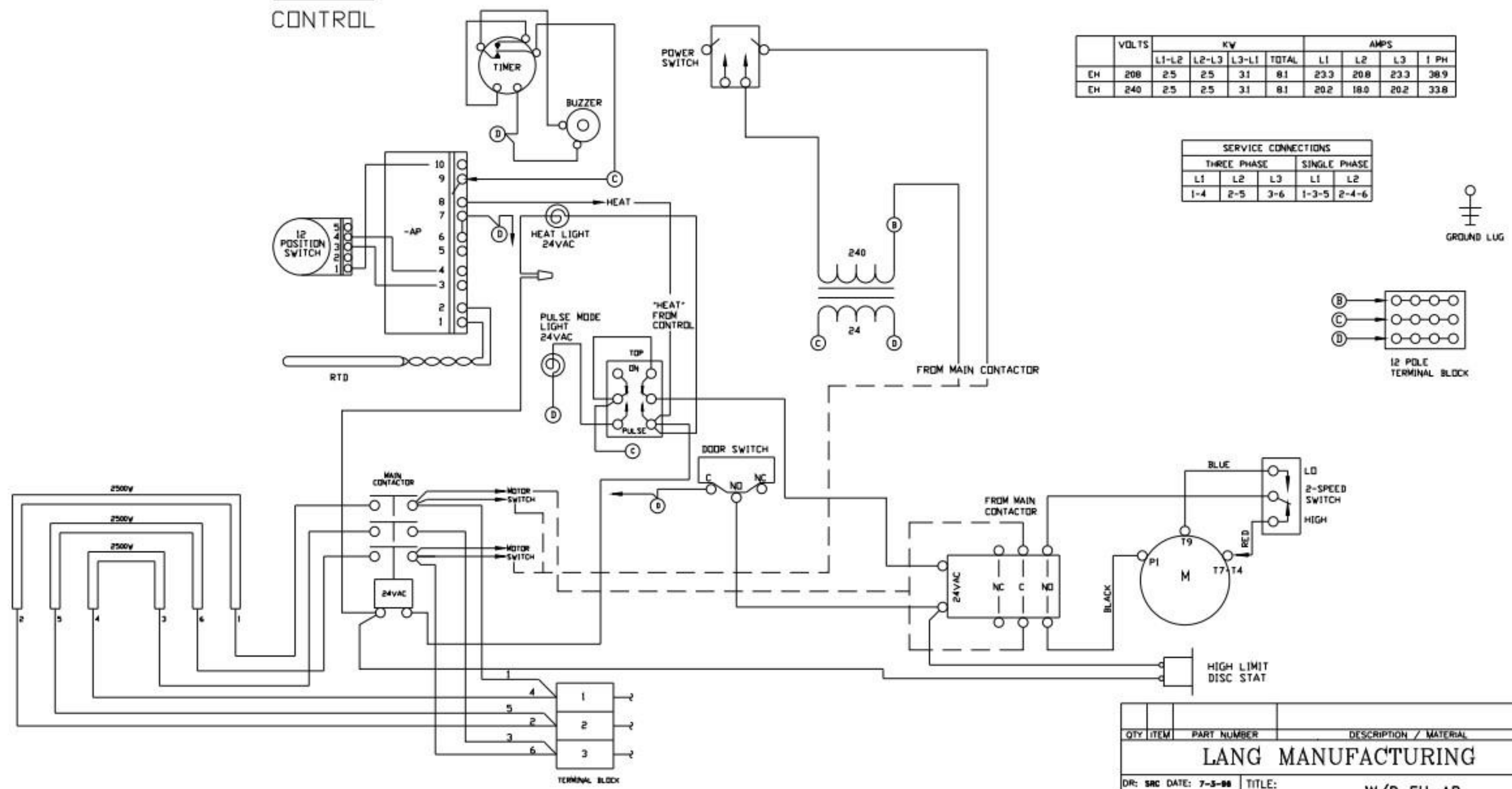


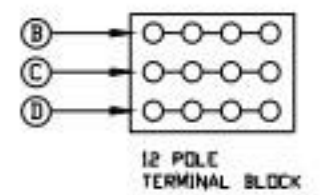
REVISION BLOCK						
REV	ECN NO.	DESCRIPTION	DR:	MFG	ENG	DATE
A		ADDED HIGH LIMIT DISC STAT	SRC			11-7-97

-AP  
CONTROL



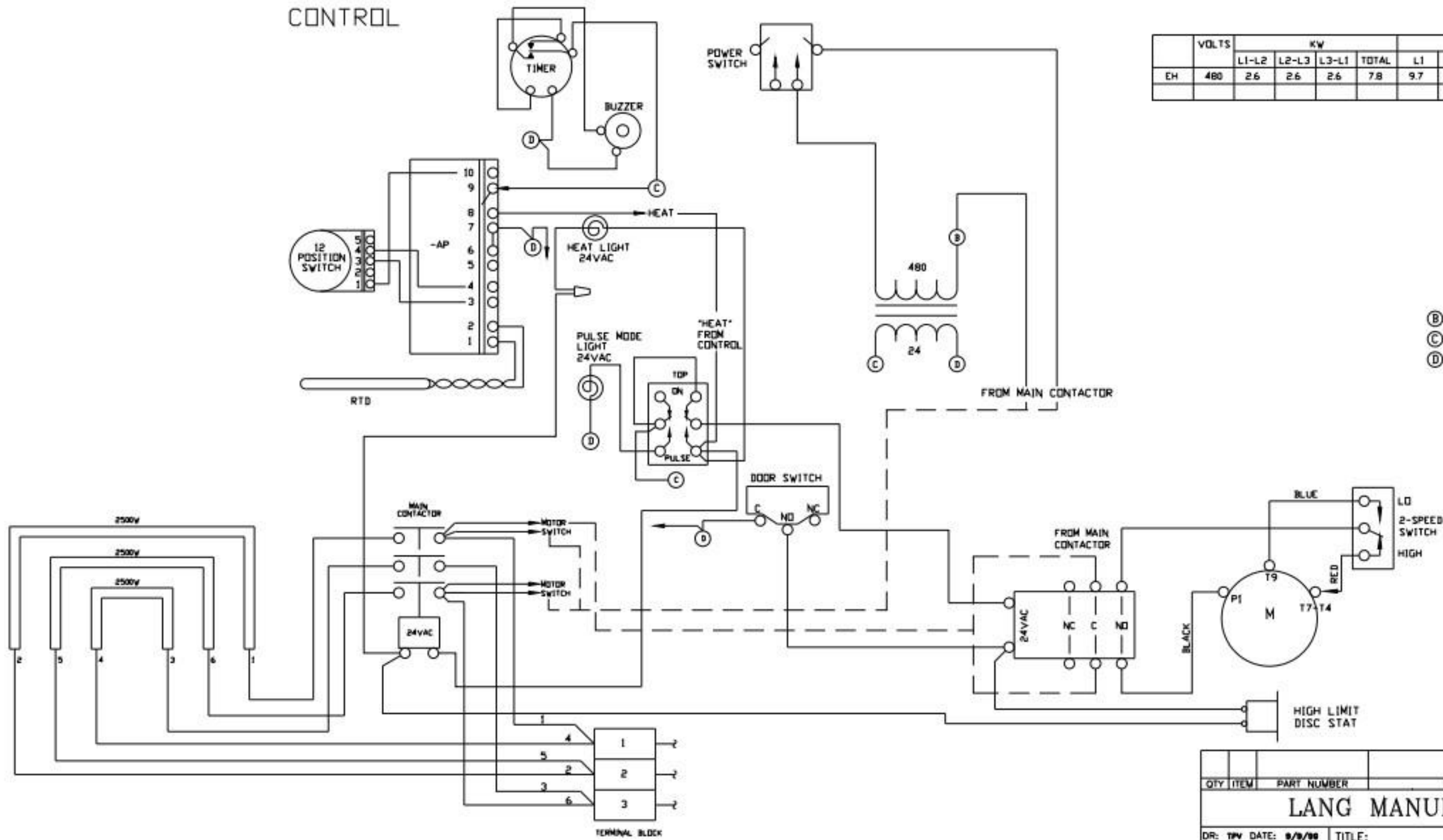
	VOLTS	KV				AMPS			
		L1-L2	L2-L3	L3-L1	TOTAL	L1	L2	L3	1 PH
EH	208	2.5	2.5	3.1	8.1	23.3	20.8	23.3	38.9
EH	240	2.5	2.5	3.1	8.1	20.2	18.0	20.2	33.8

SERVICE CONNECTIONS				
THREE PHASE			SINGLE PHASE	
L1	L2	L3	L1	L2
1-4	2-5	3-6	1-3-5	2-4-6



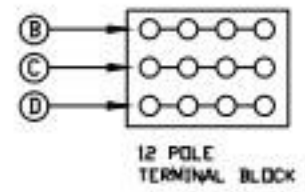
QTY	ITEM	PART NUMBER	DESCRIPTION / MATERIAL
<b>LANG MANUFACTURING</b>			
DR: SRC DATE: 7-3-98		TITLE: W/D EH-AP	
CK: FJD DATE: 7-3-98		208-240VAC	
TOLERANCES FRACTIONS DECIMALS ± 1/64 ± .005 ± 1/32 ± .010 ± 1/16 ± .015 ± 3/32 ± .020 ± 1/8 ± .030 ± 1/4 ± .040 ± 3/8 ± .050 ± 1/2 ± .060 ± 3/4 ± .075 ± 1 ± .100 UNLESS OTHERWISE SPECIFIED DIMENSIONS ARE IN INCHES		NEXT HIGHER ASSY.	SHEET
SCALE: TO FIT		1 OF 1	DRAWING NUMBER
			61111-135
			REV
			A

-AP  
CONTROL



REVISION BLOCK						
REV	ECN NO.	DESCRIPTION	DR.	MFG	ENG	DATE

	VOLTS	KW			TOTAL	AMPS		
		L1-L2	L2-L3	L3-L1		L1	L2	L3
EH	480	2.6	2.6	2.6	7.8	9.7	9.7	9.7



QTY	ITEM	PART NUMBER	DESCRIPTION / MATERIAL
<b>LANG MANUFACTURING</b>			
DR: TPV DATE: 9/9/99		TITLE: W/D EH-AP	
CK: TPV DATE:		480VAC	
TOLERANCES:		NEXT HIGHER ASSY.	
FRACTIONS DECIMALS		SHEET	
± 1/64 .XX ± .05		DRAWING NUMBER	
ANGLES .XX ± .03		REV	
± .5° .XXX ± .015		1 of 1	
UNLESS OTHERWISE SPECIFIED DIMENSIONS ARE IN INCHES		61111-163	
SCALE: TO FIT		A	