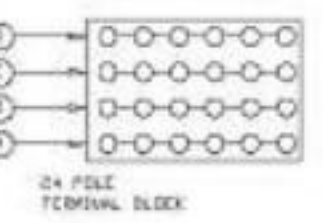
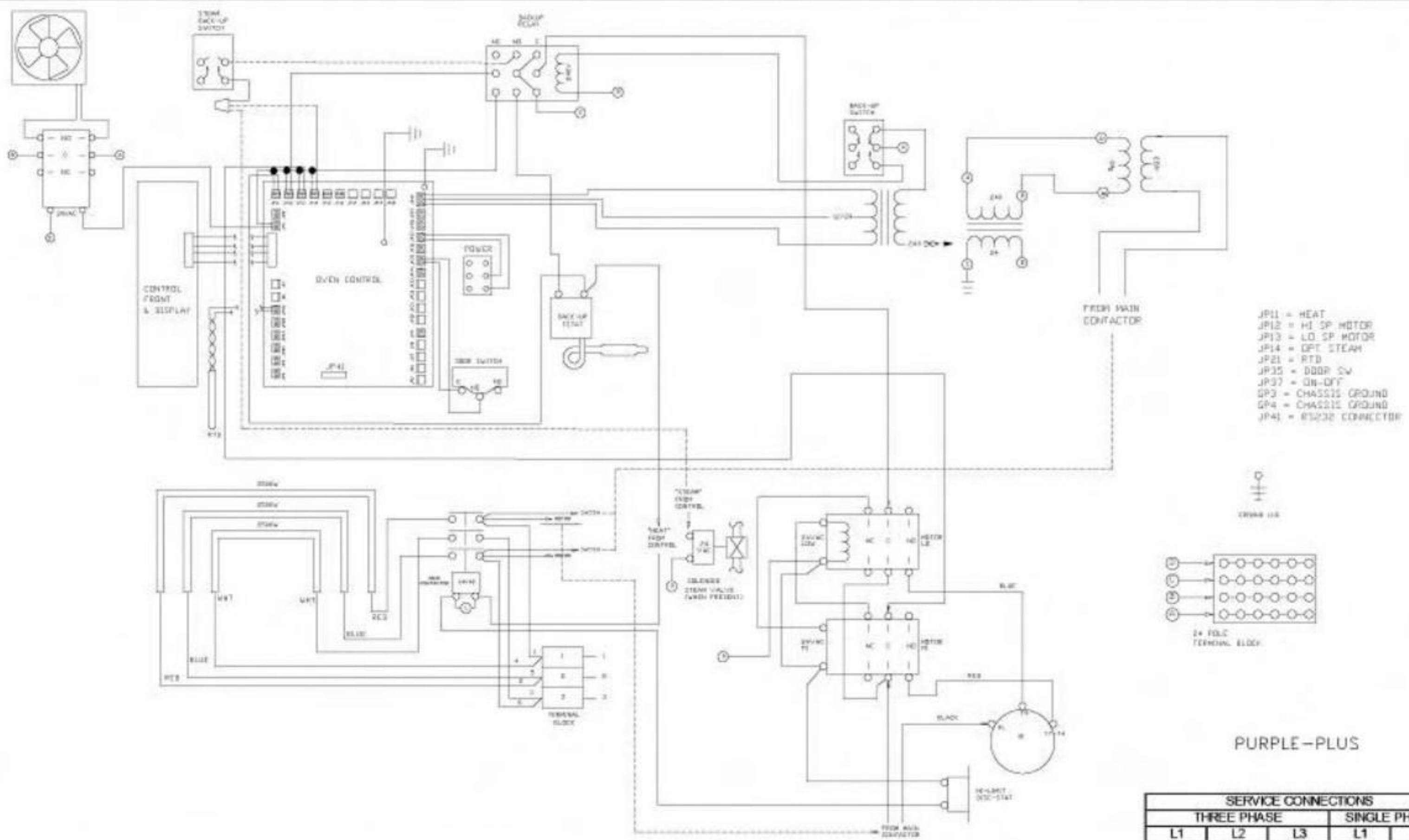


- J#11 = HEAT
- J#12 = HE SP MOTOR
- J#13 = LO SP MOTOR
- J#14 = OPT STEAM
- J#21 = RTD
- J#35 = DDBR 5V
- J#37 = ON-OFF
- CP3 = CHASSIS GROUND
- CP4 = CHASSIS GROUND
- J#41 = RS232 CONNECTOR



SERVICE CONNECTIONS				
THREE PHASE			SINGLE PHASE	
L1	L2	L3	L1L	L2
1-4	2-5	3-6	1-3-5	2-4-6

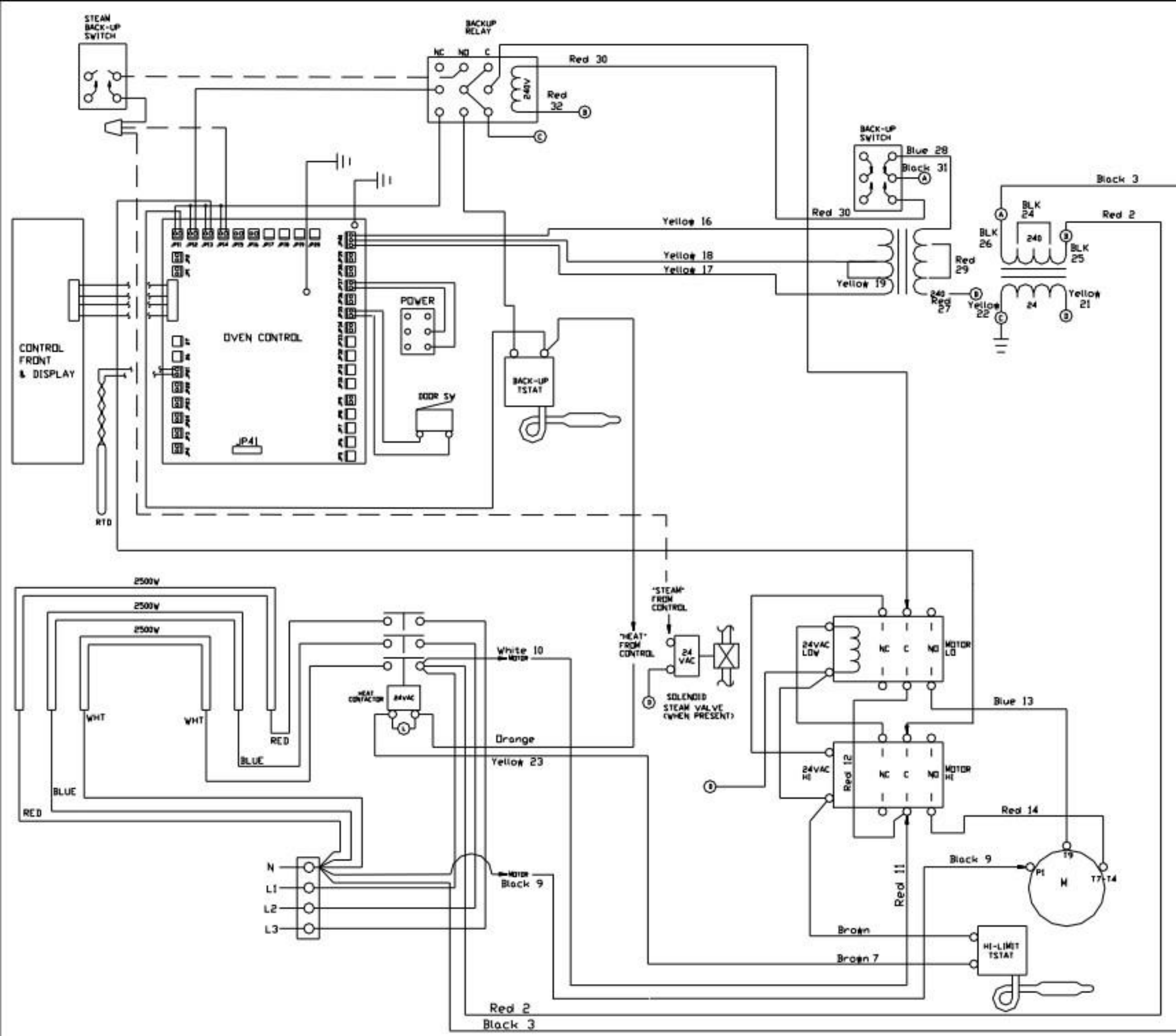
	VOLTS	Kw			TOTAL	AMPS			
		L1-L2	L2-L3	L3-L1		L1	L2	L3	1 PHASE
EH	208	2.5	2.5	3.1	8.1	23.3	20.8	23.3	40.0
EH	240	2.5	2.5	3.1	8.1	20.2	18.0	20.2	33.8



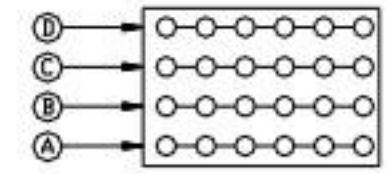
SERVICE CONNECTIONS				
THREE PHASE			SINGLE PHASE	
L1	L2	L3	L1	L2
1-4	2-5	3-6	1-3-5	2-4-6

	VOLTS	Kw				AMPS			
		L1-L2	L2-L3	L3-L1	TOTAL	L1	L2	L3	1 PHASE
EH	480	2.5	2.5	3.1	8.1	6.0	6.0	6.7	9.8

REVISION BLOCK						
REV	ECN NO.	DESCRIPTION	DR	MFG	ENG	DATE
C		ADDED SAFETY CONTACTOR	BJM			1-18-99
D		REMOVED CE COMPONENTS	DLG			5-30-02



- JP11 = HEAT
- JP12 = HI SP MOTOR
- JP13 = LO SP MOTOR
- JP14 = OPT STEAM
- JP21 = RTD
- JP35 = DOOR SW
- JP37 = ON-OFF
- GP3 = CHASSIS GROUND
- GP4 = CHASSIS GROUND
- JP41 = RS232 CONNECTOR



Three Phase

VOLTS	KW				AMPS			
	L1-N	L2-N	L3-N	TOTAL	L1	L2	L3	N
220/380	2.8	2.1	2.1	7.0	12.7	9.5	9.5	12.7
240/415	3.2	2.5	2.5	8.2	13.3	10.4	10.4	13.3

PURPLE-PLUS

QTY	ITEM	PART NUMBER	DESCRIPTION / MATERIAL
<b>LANG MANUFACTURING</b>			
DR: BSM DATE: 10-6-98		TITLE: W/D EH PP WITH 2 SPEED	
CK: BC DATE: 10-20-98		220/380 & 240/415 VAC	
TOLERANCES FRACTIONS DECIMALS ± 1/64 .XX ± .03 ANGLES .XX ± .03 ± .5° .XXX ± .015 UNLESS OTHERWISE SPECIFIED DIMENSIONS ARE IN INCHES		NEXT HIGHER ASSY.	SHEET
SCALE: TO FIT		1 OF 1	DRAWING NUMBER
		61111-151	REV
			D