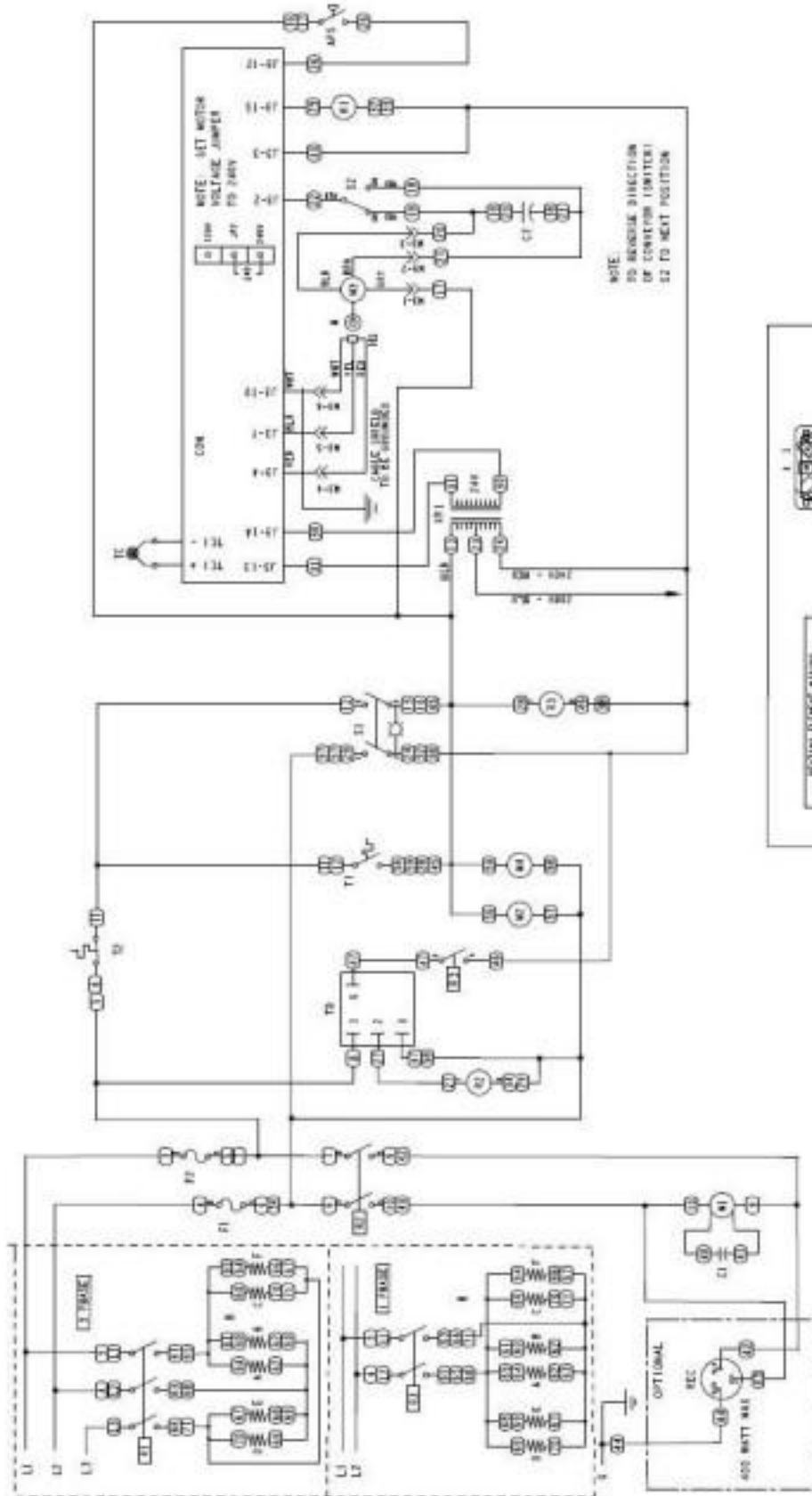
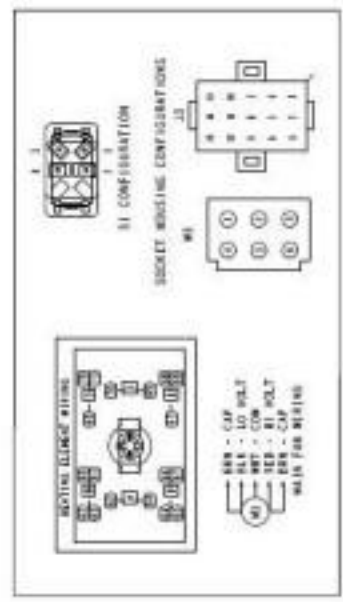


# SCHEMATIC DIAGRAM ALL MODELS S/N 080921000017 AND ABOVE



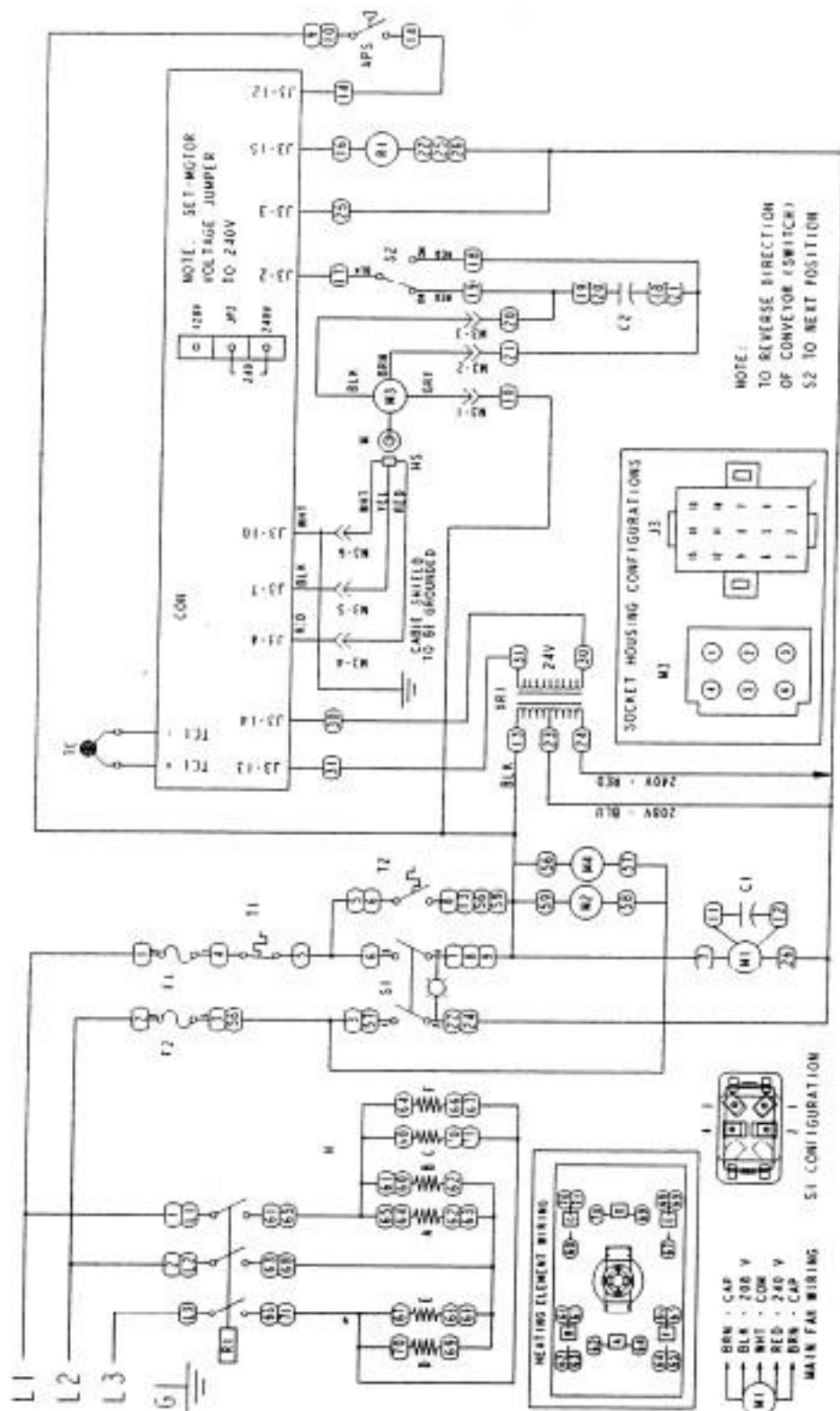
- AP5 - AIR PRESSURE SWITCH  
 C1 - CAPACITOR, 7.5 MFD  
 COM - CONTROL, OVER  
 FLP2 - FUSE, FAN MOTOR (10A)  
 H - HEATER ELEMENTS (4 PLS)  
 M - MOTOR  
 M1 - MOTOR, OVER FAN  
 M2, M4 - MOTOR, COOLING FAN  
 M3 - MOTOR, CONVETOR  
 REC - RELAY, OVER FAN MOTOR  
 R1 - RELAY, OPEN FAN MOTOR  
 R2 - RELAY, COOL DOWN (10EN)  
 REC - RECEPTICAL (OPTIONAL)  
 S1 - SWITCH, MAIN POWER  
 S2 - SWITCH, CONVETOR SEVERING  
 T1 - THERMISTOR, CONTROL, HOT COOLING  
 T2 - THERMISTOR, CONTROL, HOT OVER  
 T3 - THERMISTOR, TYPE A  
 TR - TIMER RELAY, 20 MINUTES  
 (S) - WIRE NUMBERS



**Lincoln**  
 Foodservice Production, Inc.  
 FORT WAYNE, INDIANA  
 Impinger 11

2806562D

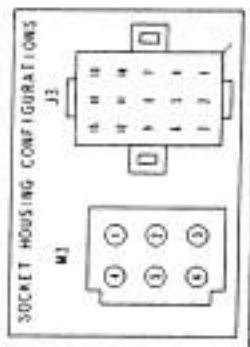
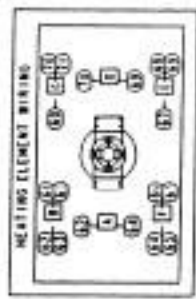
**SCHEMATIC DIAGRAM  
MODEL 1132-08H-A, 1133-08H-A  
S/N 080921000016 AND BELOW**



**Lincoln**  
Foodservice Products, Inc.  
FORT WAYNE, INDIANA  
IMPINGER II ADVANTAGE

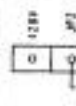
19066384

- M3 - MOTOR - CONVEYOR
  - M4 - MOTOR - COOLING FAN
  - R1 - RELAY - HEATER
  - S1 - SWITCH - MAIN POWER
  - S2 - SWITCH - CONVEYOR REVERSING
  - T1 - THERMOSTAT - OVEN HI LIMIT
  - T2 - THERMOSTAT - COOLING FAN
  - TC - THERMOCOUPLE - TYPE K
  - XRI - TRANSFORMER - CONTROL
  - ( ) - WIRE NUMBERS
- 
- APS - AIR PRESSURE SWITCH
  - C1 - CAPACITOR - MAIN FAN
  - C2 - CAPACITOR - CONVEYOR MOTOR
  - CON - CONTROL - OVEN DIGITAL
  - F1, F2 - FUSE - MOTOR & CONTROLS - 10A
  - H5 - HALL EFFECT SENSOR
  - H - HEATER
  - M - MAGNET
  - M1 - MOTOR - MAIN FAN
  - M2 - MOTOR - COOLING FAN

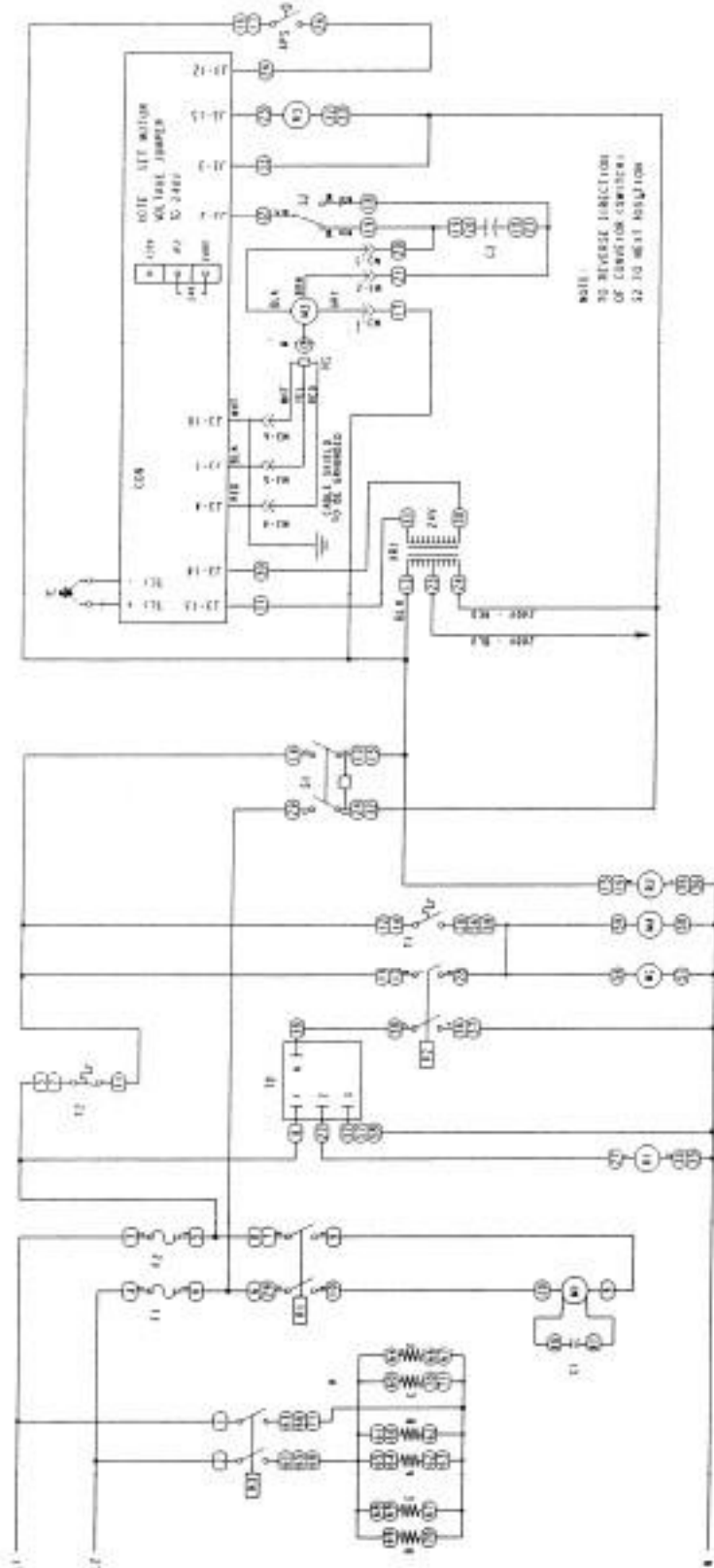


NOTE:  
TO REVERSE DIRECTION  
OF CONVEYOR (SWITCH)  
S2 TO REST POSITION

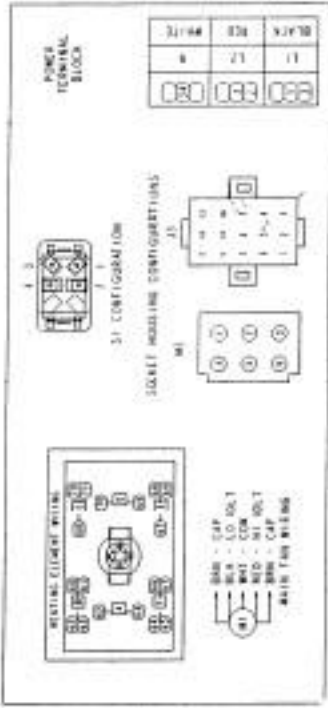
NOTE: SET MOTOR  
VOLTAGE JUMPER  
TO 240V



**SCHEMATIC DIAGRAM  
MODEL 1130-08H-A, 1131-08H-A  
S/N 0809210000016 AND BELOW**



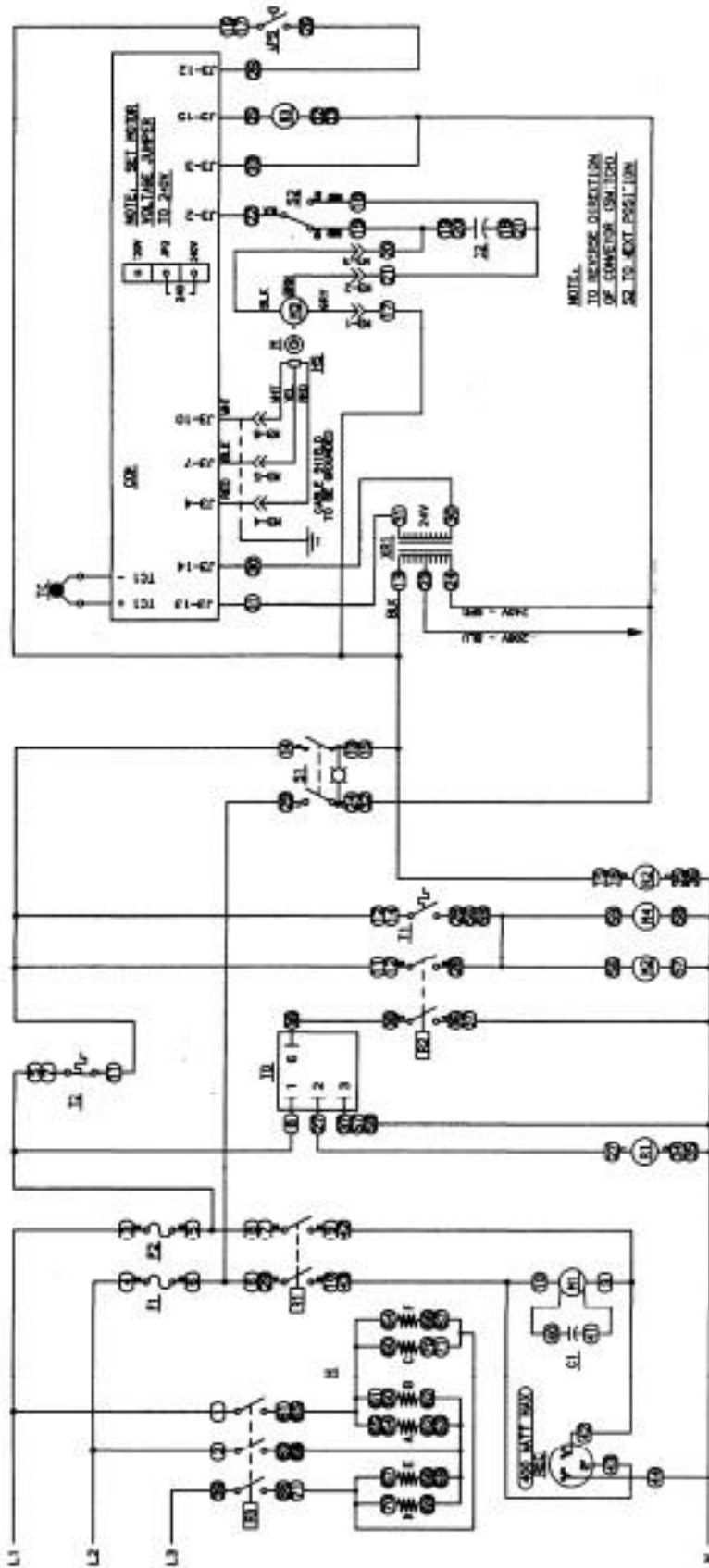
- APY - AIR PRESSURE SWITCH  
C1 - CAPACITOR - 7 MFD  
C2 - CAPACITOR - 10 MFD  
C3 - CAPACITOR - 10 MFD  
C4 - CAPACITOR - 10 MFD  
C5 - CAPACITOR - 10 MFD  
C6 - CAPACITOR - 10 MFD  
C7 - CAPACITOR - 10 MFD  
C8 - CAPACITOR - 10 MFD  
C9 - CAPACITOR - 10 MFD  
C10 - CAPACITOR - 10 MFD  
C11 - CAPACITOR - 10 MFD  
C12 - CAPACITOR - 10 MFD  
C13 - CAPACITOR - 10 MFD  
C14 - CAPACITOR - 10 MFD  
C15 - CAPACITOR - 10 MFD  
C16 - CAPACITOR - 10 MFD  
C17 - CAPACITOR - 10 MFD  
C18 - CAPACITOR - 10 MFD  
C19 - CAPACITOR - 10 MFD  
C20 - CAPACITOR - 10 MFD  
C21 - CAPACITOR - 10 MFD  
C22 - CAPACITOR - 10 MFD  
C23 - CAPACITOR - 10 MFD  
C24 - CAPACITOR - 10 MFD  
C25 - CAPACITOR - 10 MFD  
C26 - CAPACITOR - 10 MFD  
C27 - CAPACITOR - 10 MFD  
C28 - CAPACITOR - 10 MFD  
C29 - CAPACITOR - 10 MFD  
C30 - CAPACITOR - 10 MFD  
C31 - CAPACITOR - 10 MFD  
C32 - CAPACITOR - 10 MFD  
C33 - CAPACITOR - 10 MFD  
C34 - CAPACITOR - 10 MFD  
C35 - CAPACITOR - 10 MFD  
C36 - CAPACITOR - 10 MFD  
C37 - CAPACITOR - 10 MFD  
C38 - CAPACITOR - 10 MFD  
C39 - CAPACITOR - 10 MFD  
C40 - CAPACITOR - 10 MFD  
C41 - CAPACITOR - 10 MFD  
C42 - CAPACITOR - 10 MFD  
C43 - CAPACITOR - 10 MFD  
C44 - CAPACITOR - 10 MFD  
C45 - CAPACITOR - 10 MFD  
C46 - CAPACITOR - 10 MFD  
C47 - CAPACITOR - 10 MFD  
C48 - CAPACITOR - 10 MFD  
C49 - CAPACITOR - 10 MFD  
C50 - CAPACITOR - 10 MFD  
C51 - CAPACITOR - 10 MFD  
C52 - CAPACITOR - 10 MFD  
C53 - CAPACITOR - 10 MFD  
C54 - CAPACITOR - 10 MFD  
C55 - CAPACITOR - 10 MFD  
C56 - CAPACITOR - 10 MFD  
C57 - CAPACITOR - 10 MFD  
C58 - CAPACITOR - 10 MFD  
C59 - CAPACITOR - 10 MFD  
C60 - CAPACITOR - 10 MFD  
C61 - CAPACITOR - 10 MFD  
C62 - CAPACITOR - 10 MFD  
C63 - CAPACITOR - 10 MFD  
C64 - CAPACITOR - 10 MFD  
C65 - CAPACITOR - 10 MFD  
C66 - CAPACITOR - 10 MFD  
C67 - CAPACITOR - 10 MFD  
C68 - CAPACITOR - 10 MFD  
C69 - CAPACITOR - 10 MFD  
C70 - CAPACITOR - 10 MFD  
C71 - CAPACITOR - 10 MFD  
C72 - CAPACITOR - 10 MFD  
C73 - CAPACITOR - 10 MFD  
C74 - CAPACITOR - 10 MFD  
C75 - CAPACITOR - 10 MFD  
C76 - CAPACITOR - 10 MFD  
C77 - CAPACITOR - 10 MFD  
C78 - CAPACITOR - 10 MFD  
C79 - CAPACITOR - 10 MFD  
C80 - CAPACITOR - 10 MFD  
C81 - CAPACITOR - 10 MFD  
C82 - CAPACITOR - 10 MFD  
C83 - CAPACITOR - 10 MFD  
C84 - CAPACITOR - 10 MFD  
C85 - CAPACITOR - 10 MFD  
C86 - CAPACITOR - 10 MFD  
C87 - CAPACITOR - 10 MFD  
C88 - CAPACITOR - 10 MFD  
C89 - CAPACITOR - 10 MFD  
C90 - CAPACITOR - 10 MFD  
C91 - CAPACITOR - 10 MFD  
C92 - CAPACITOR - 10 MFD  
C93 - CAPACITOR - 10 MFD  
C94 - CAPACITOR - 10 MFD  
C95 - CAPACITOR - 10 MFD  
C96 - CAPACITOR - 10 MFD  
C97 - CAPACITOR - 10 MFD  
C98 - CAPACITOR - 10 MFD  
C99 - CAPACITOR - 10 MFD  
C100 - CAPACITOR - 10 MFD



**Lincoln**  
Foodservice Products, Inc.  
FORT MYERS, INDIANA  
Impinger #1

2806563B

**SCHEMATIC DIAGRAM  
MODEL 1162-080-A  
S/N 080921000016 AND BELOW**

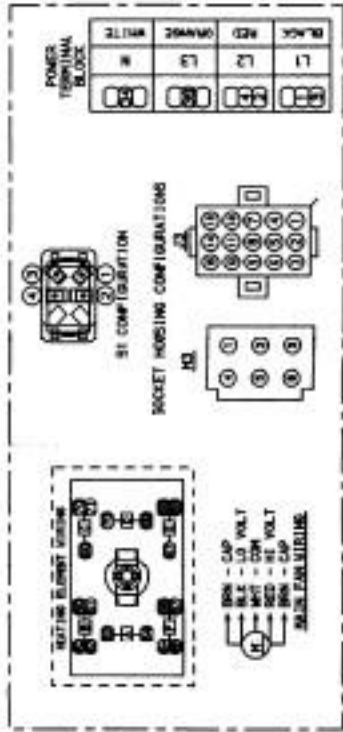


NOTE: SET MOTOR  
VALVE JUMPER  
TO 2-5V.

NOTE:  
TO REVERSE DIRECTION  
OF COMPRESSOR SWITCH  
S2 TO NEXT POSITION.

- APS - AIR PRESSURE SWITCH
- CJ - CAPACITOR, CORRECTOR FOR MOTOR
- CON - CONTROL, OVER
- FT, FZ - FUSE, FAN MOTOR, 10A
- H - HEATING ELEMENTS, 1500W OR 1750W
- HS - HEATING ELEMENTS, 1500W OR 1750W
- R - RELAY
- SI - MOTOR, OVER FAN
- SI, SI - MOTOR, OVER FAN
- SI, SI - MOTOR, OVER FAN
- SI - RELAY, OVER FAN MOTOR

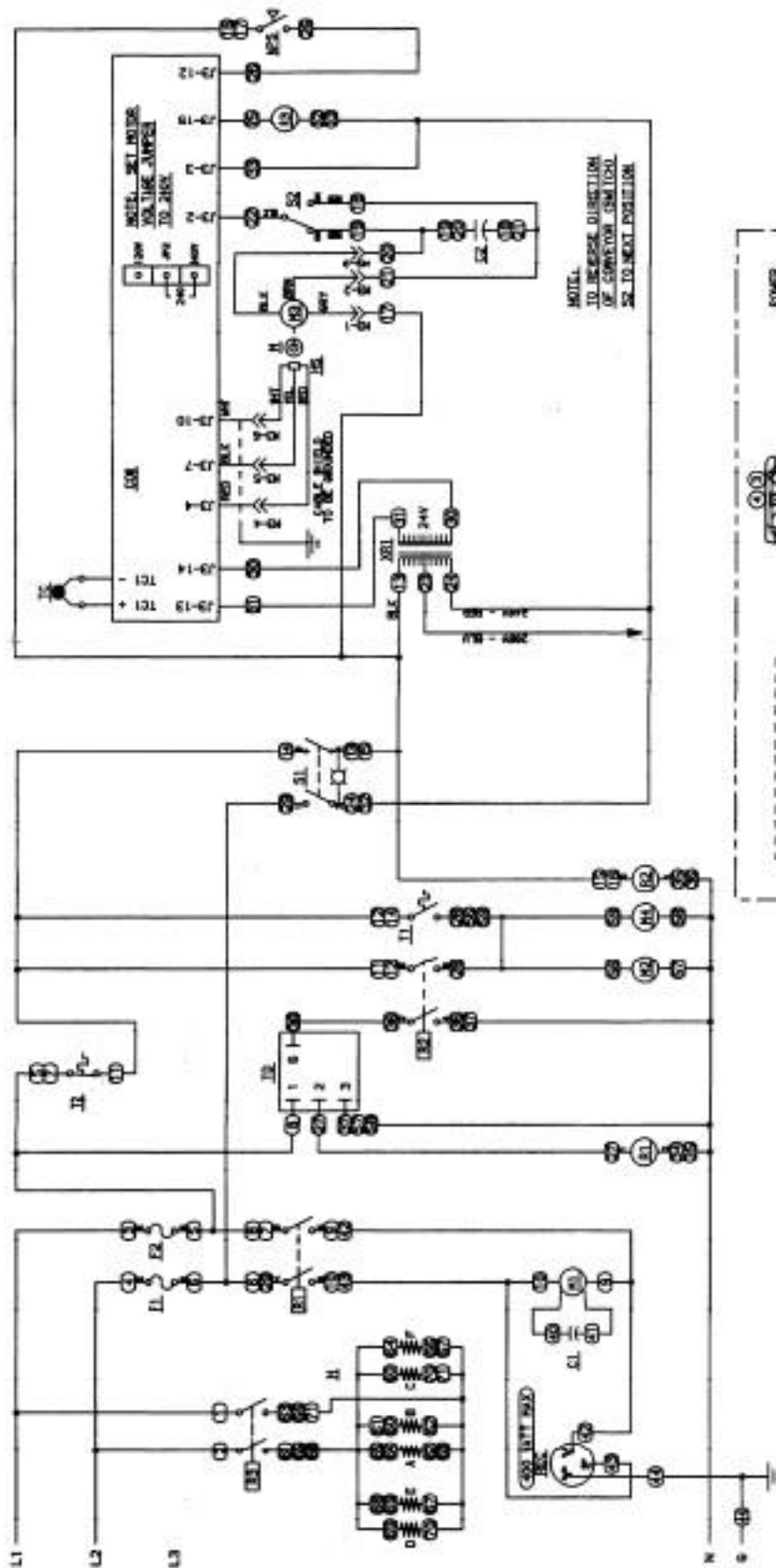
- R2 - RELAY, OVER START & COOL DOWN
- R3 - RELAY, HEATED, 20A, 250V
- R4 - RELAY, HEATED, 20A, 250V
- S1 - SWITCH, MAIN POWER
- S2 - SWITCH, COMPRESSOR REVERSE
- T1 - THERMOSTAT, CONTROL BOX COOLING
- T2 - THERMOSTAT, HIGH LIMIT, OVER
- T3 - THERMOSTAT, TYPE X
- T4 - THERMOSTAT, TYPE X
- T5 - THERMOSTAT, TYPE X
- T6 - THERMOSTAT, TYPE X
- T7 - THERMOSTAT, TYPE X
- T8 - THERMOSTAT, TYPE X
- T9 - THERMOSTAT, TYPE X
- T10 - THERMOSTAT, TYPE X
- T11 - THERMOSTAT, TYPE X
- T12 - THERMOSTAT, TYPE X
- T13 - THERMOSTAT, TYPE X
- T14 - THERMOSTAT, TYPE X
- T15 - THERMOSTAT, TYPE X
- T16 - THERMOSTAT, TYPE X
- T17 - THERMOSTAT, TYPE X
- T18 - THERMOSTAT, TYPE X
- T19 - THERMOSTAT, TYPE X
- T20 - THERMOSTAT, TYPE X
- T21 - THERMOSTAT, TYPE X
- T22 - THERMOSTAT, TYPE X
- T23 - THERMOSTAT, TYPE X
- T24 - THERMOSTAT, TYPE X
- T25 - THERMOSTAT, TYPE X
- T26 - THERMOSTAT, TYPE X
- T27 - THERMOSTAT, TYPE X
- T28 - THERMOSTAT, TYPE X
- T29 - THERMOSTAT, TYPE X
- T30 - THERMOSTAT, TYPE X
- T31 - THERMOSTAT, TYPE X
- T32 - THERMOSTAT, TYPE X
- T33 - THERMOSTAT, TYPE X
- T34 - THERMOSTAT, TYPE X
- T35 - THERMOSTAT, TYPE X
- T36 - THERMOSTAT, TYPE X
- T37 - THERMOSTAT, TYPE X
- T38 - THERMOSTAT, TYPE X
- T39 - THERMOSTAT, TYPE X
- T40 - THERMOSTAT, TYPE X
- T41 - THERMOSTAT, TYPE X
- T42 - THERMOSTAT, TYPE X
- T43 - THERMOSTAT, TYPE X
- T44 - THERMOSTAT, TYPE X
- T45 - THERMOSTAT, TYPE X
- T46 - THERMOSTAT, TYPE X
- T47 - THERMOSTAT, TYPE X
- T48 - THERMOSTAT, TYPE X
- T49 - THERMOSTAT, TYPE X
- T50 - THERMOSTAT, TYPE X
- T51 - THERMOSTAT, TYPE X
- T52 - THERMOSTAT, TYPE X
- T53 - THERMOSTAT, TYPE X
- T54 - THERMOSTAT, TYPE X
- T55 - THERMOSTAT, TYPE X
- T56 - THERMOSTAT, TYPE X
- T57 - THERMOSTAT, TYPE X
- T58 - THERMOSTAT, TYPE X
- T59 - THERMOSTAT, TYPE X
- T60 - THERMOSTAT, TYPE X
- T61 - THERMOSTAT, TYPE X
- T62 - THERMOSTAT, TYPE X
- T63 - THERMOSTAT, TYPE X
- T64 - THERMOSTAT, TYPE X
- T65 - THERMOSTAT, TYPE X
- T66 - THERMOSTAT, TYPE X
- T67 - THERMOSTAT, TYPE X
- T68 - THERMOSTAT, TYPE X
- T69 - THERMOSTAT, TYPE X
- T70 - THERMOSTAT, TYPE X
- T71 - THERMOSTAT, TYPE X
- T72 - THERMOSTAT, TYPE X
- T73 - THERMOSTAT, TYPE X
- T74 - THERMOSTAT, TYPE X
- T75 - THERMOSTAT, TYPE X
- T76 - THERMOSTAT, TYPE X
- T77 - THERMOSTAT, TYPE X
- T78 - THERMOSTAT, TYPE X
- T79 - THERMOSTAT, TYPE X
- T80 - THERMOSTAT, TYPE X
- T81 - THERMOSTAT, TYPE X
- T82 - THERMOSTAT, TYPE X
- T83 - THERMOSTAT, TYPE X
- T84 - THERMOSTAT, TYPE X
- T85 - THERMOSTAT, TYPE X
- T86 - THERMOSTAT, TYPE X
- T87 - THERMOSTAT, TYPE X
- T88 - THERMOSTAT, TYPE X
- T89 - THERMOSTAT, TYPE X
- T90 - THERMOSTAT, TYPE X
- T91 - THERMOSTAT, TYPE X
- T92 - THERMOSTAT, TYPE X
- T93 - THERMOSTAT, TYPE X
- T94 - THERMOSTAT, TYPE X
- T95 - THERMOSTAT, TYPE X
- T96 - THERMOSTAT, TYPE X
- T97 - THERMOSTAT, TYPE X
- T98 - THERMOSTAT, TYPE X
- T99 - THERMOSTAT, TYPE X
- T100 - THERMOSTAT, TYPE X



**Lincoln**  
Refrigeration Products, Inc.  
FORT WAYNE, INDIANA  
Page 11

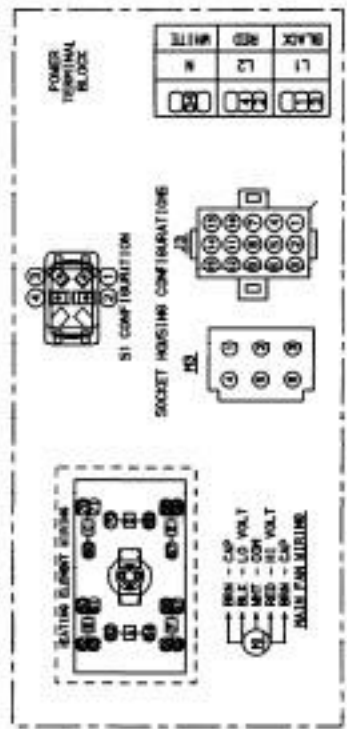
2806466A

**SCHEMATIC DIAGRAM  
MODEL 1161-080-A  
S/N 0809210000016 AND BELOW**



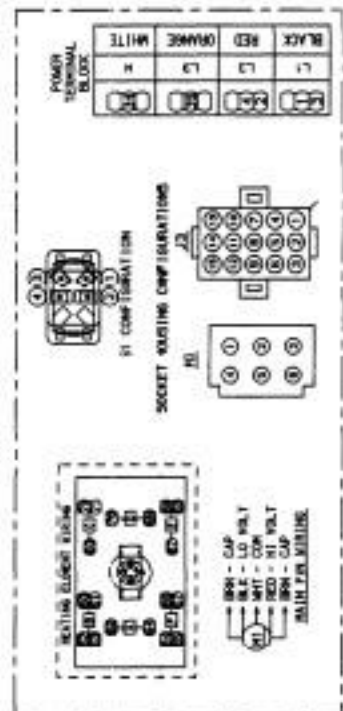
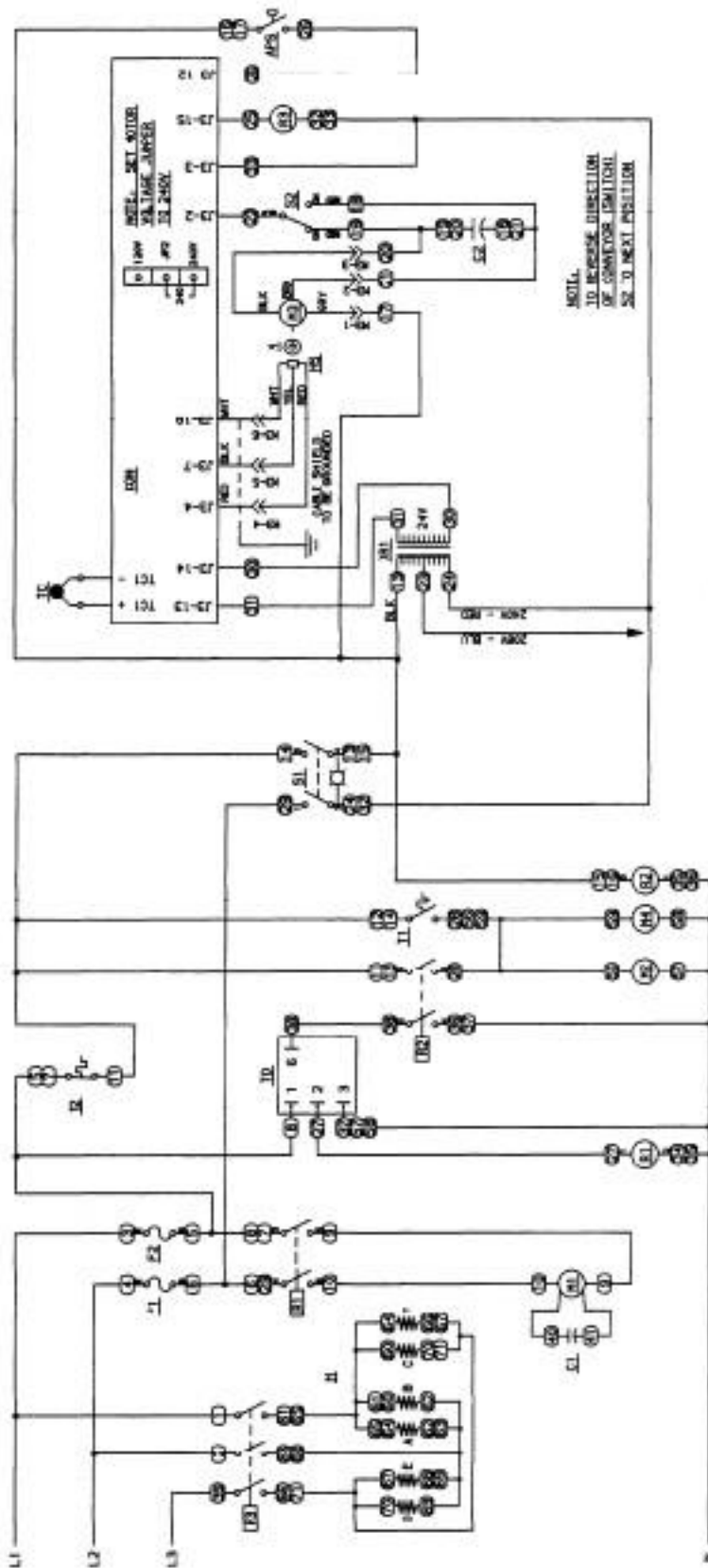
- APS - AIR PRESSURE SWITCH  
 C1 - CAPACITOR, 7.5 MFD  
 C2 - CAPACITOR, CONVEXOR MOTOR  
 CDM - CONTROL, OVEN  
 F1, F2 - FUSE, 1/4 AMP, 250V  
 H - HALL EFFECT SENSOR  
 M - MOTOR, OVEN FAN  
 M2, M4 - MOTOR, COOLING FAN  
 M3 - MOTOR, CONVEXOR  
 R1 - RELAY, OVEN FAN MOTOR  
 R2 - RELAY, HEATSEDS  
 REC - RECEPTACLE, LE-28, 20A, 250V  
 S1 - SWITCH, MAIN POWER  
 S2 - SWITCH, CONVEXOR REVERSE  
 S3 - SWITCH, OVEN FAN MOTOR  
 S4 - SWITCH, OVEN FAN MOTOR  
 S5 - SWITCH, OVEN FAN MOTOR  
 S6 - SWITCH, OVEN FAN MOTOR  
 S7 - SWITCH, OVEN FAN MOTOR  
 S8 - SWITCH, OVEN FAN MOTOR  
 S9 - SWITCH, OVEN FAN MOTOR  
 S10 - SWITCH, OVEN FAN MOTOR  
 S11 - SWITCH, OVEN FAN MOTOR  
 S12 - SWITCH, OVEN FAN MOTOR  
 S13 - SWITCH, OVEN FAN MOTOR  
 S14 - SWITCH, OVEN FAN MOTOR  
 S15 - SWITCH, OVEN FAN MOTOR  
 S16 - SWITCH, OVEN FAN MOTOR  
 S17 - SWITCH, OVEN FAN MOTOR  
 S18 - SWITCH, OVEN FAN MOTOR  
 S19 - SWITCH, OVEN FAN MOTOR  
 S20 - SWITCH, OVEN FAN MOTOR  
 S21 - SWITCH, OVEN FAN MOTOR  
 S22 - SWITCH, OVEN FAN MOTOR  
 S23 - SWITCH, OVEN FAN MOTOR  
 S24 - SWITCH, OVEN FAN MOTOR  
 S25 - SWITCH, OVEN FAN MOTOR  
 S26 - SWITCH, OVEN FAN MOTOR  
 S27 - SWITCH, OVEN FAN MOTOR  
 S28 - SWITCH, OVEN FAN MOTOR  
 S29 - SWITCH, OVEN FAN MOTOR  
 S30 - SWITCH, OVEN FAN MOTOR  
 S31 - SWITCH, OVEN FAN MOTOR  
 S32 - SWITCH, OVEN FAN MOTOR  
 S33 - SWITCH, OVEN FAN MOTOR  
 S34 - SWITCH, OVEN FAN MOTOR  
 S35 - SWITCH, OVEN FAN MOTOR  
 S36 - SWITCH, OVEN FAN MOTOR  
 S37 - SWITCH, OVEN FAN MOTOR  
 S38 - SWITCH, OVEN FAN MOTOR  
 S39 - SWITCH, OVEN FAN MOTOR  
 S40 - SWITCH, OVEN FAN MOTOR  
 S41 - SWITCH, OVEN FAN MOTOR  
 S42 - SWITCH, OVEN FAN MOTOR  
 S43 - SWITCH, OVEN FAN MOTOR  
 S44 - SWITCH, OVEN FAN MOTOR  
 S45 - SWITCH, OVEN FAN MOTOR  
 S46 - SWITCH, OVEN FAN MOTOR  
 S47 - SWITCH, OVEN FAN MOTOR  
 S48 - SWITCH, OVEN FAN MOTOR  
 S49 - SWITCH, OVEN FAN MOTOR  
 S50 - SWITCH, OVEN FAN MOTOR  
 S51 - SWITCH, OVEN FAN MOTOR  
 S52 - SWITCH, OVEN FAN MOTOR  
 S53 - SWITCH, OVEN FAN MOTOR  
 S54 - SWITCH, OVEN FAN MOTOR  
 S55 - SWITCH, OVEN FAN MOTOR  
 S56 - SWITCH, OVEN FAN MOTOR  
 S57 - SWITCH, OVEN FAN MOTOR  
 S58 - SWITCH, OVEN FAN MOTOR  
 S59 - SWITCH, OVEN FAN MOTOR  
 S60 - SWITCH, OVEN FAN MOTOR  
 S61 - SWITCH, OVEN FAN MOTOR  
 S62 - SWITCH, OVEN FAN MOTOR  
 S63 - SWITCH, OVEN FAN MOTOR  
 S64 - SWITCH, OVEN FAN MOTOR  
 S65 - SWITCH, OVEN FAN MOTOR  
 S66 - SWITCH, OVEN FAN MOTOR  
 S67 - SWITCH, OVEN FAN MOTOR  
 S68 - SWITCH, OVEN FAN MOTOR  
 S69 - SWITCH, OVEN FAN MOTOR  
 S70 - SWITCH, OVEN FAN MOTOR  
 S71 - SWITCH, OVEN FAN MOTOR  
 S72 - SWITCH, OVEN FAN MOTOR  
 S73 - SWITCH, OVEN FAN MOTOR  
 S74 - SWITCH, OVEN FAN MOTOR  
 S75 - SWITCH, OVEN FAN MOTOR  
 S76 - SWITCH, OVEN FAN MOTOR  
 S77 - SWITCH, OVEN FAN MOTOR  
 S78 - SWITCH, OVEN FAN MOTOR  
 S79 - SWITCH, OVEN FAN MOTOR  
 S80 - SWITCH, OVEN FAN MOTOR  
 S81 - SWITCH, OVEN FAN MOTOR  
 S82 - SWITCH, OVEN FAN MOTOR  
 S83 - SWITCH, OVEN FAN MOTOR  
 S84 - SWITCH, OVEN FAN MOTOR  
 S85 - SWITCH, OVEN FAN MOTOR  
 S86 - SWITCH, OVEN FAN MOTOR  
 S87 - SWITCH, OVEN FAN MOTOR  
 S88 - SWITCH, OVEN FAN MOTOR  
 S89 - SWITCH, OVEN FAN MOTOR  
 S90 - SWITCH, OVEN FAN MOTOR  
 S91 - SWITCH, OVEN FAN MOTOR  
 S92 - SWITCH, OVEN FAN MOTOR  
 S93 - SWITCH, OVEN FAN MOTOR  
 S94 - SWITCH, OVEN FAN MOTOR  
 S95 - SWITCH, OVEN FAN MOTOR  
 S96 - SWITCH, OVEN FAN MOTOR  
 S97 - SWITCH, OVEN FAN MOTOR  
 S98 - SWITCH, OVEN FAN MOTOR  
 S99 - SWITCH, OVEN FAN MOTOR  
 S100 - SWITCH, OVEN FAN MOTOR  
 T1 - TRANSFORMER, CONTROL

**Lincoln**  
 Foodservice Products, Inc.  
 FORT WAYNE, INDIANA  
 Inginger 11



2805455A

**SCHEMATIC DIAGRAM**  
**MODEL 1132-080-A, 1132-080-A1, 1133-080-A, 1133-080-A1**  
**S/N 080921000016 AND BELOW**

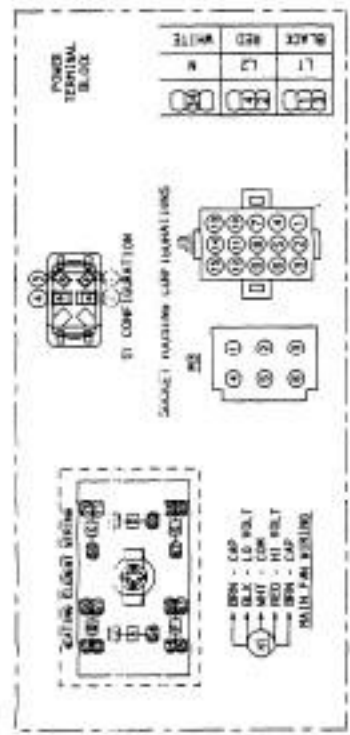
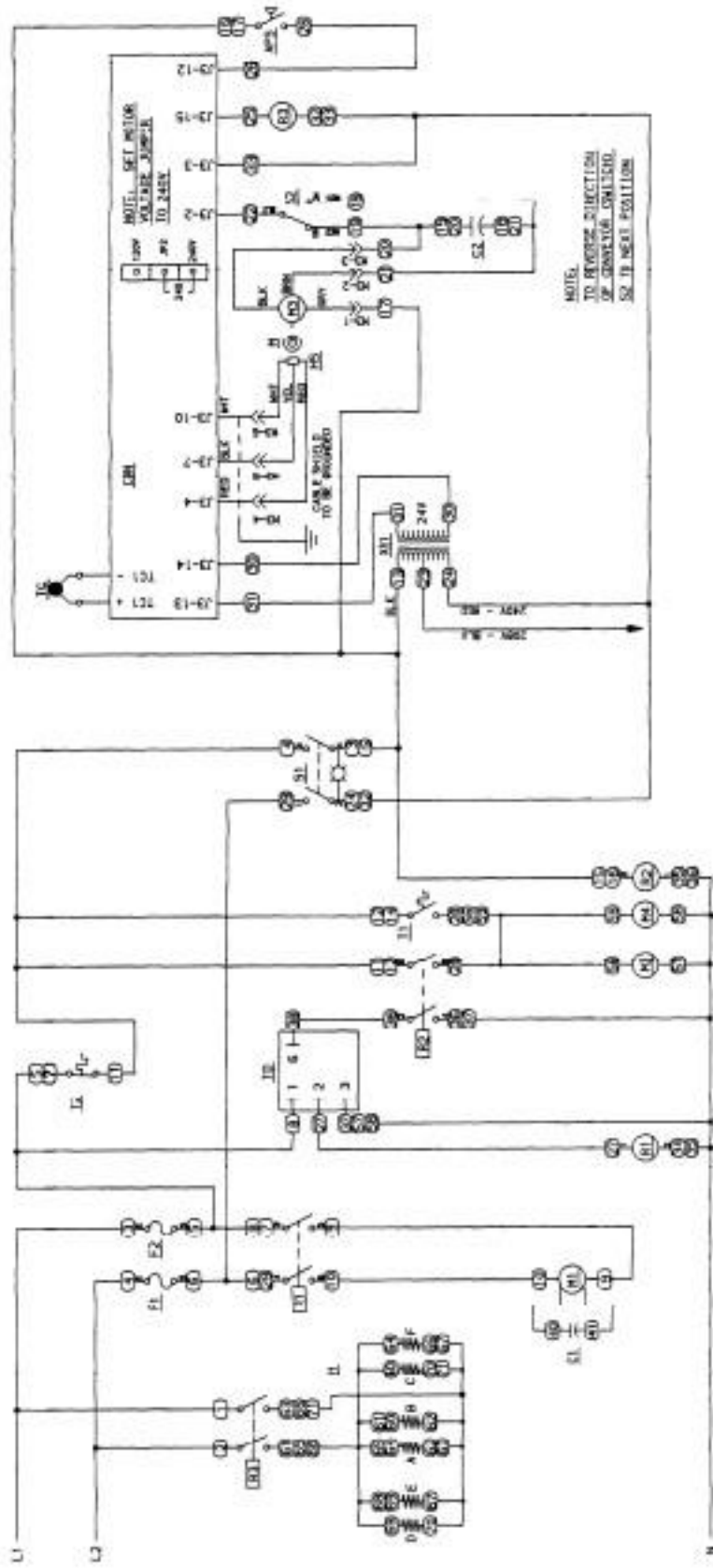


- APS - AIR PRESSURE SWITCH
- C1 - CAPACITOR, 5.0 MFD
- C2 - CAPACITOR, CONVERTOR MOTOR
- CON - CONTROL, GREEN
- F1, F2 - FUSE, 2 AM, MOTOR/10A
- H - HEATING EFFECT SENSOR
- H1 - MOTOR, GREEN FAN
- H2, H3 - MOTOR, COOLING FAN
- R1 - RELAY, GREEN FAN MOTOR
- R2 - RELAY, START & COOL DOWN
- S1 - SWITCH, MAIN POWER
- S2 - SWITCH, CONVERTOR REVERSING
- S3, S4, S5, S6, S7, S8, S9, S10, S11, S12, S13, S14, S15, S16, S17, S18, S19, S20, S21, S22, S23, S24, S25, S26, S27, S28, S29, S30, S31, S32, S33, S34, S35, S36, S37, S38, S39, S40, S41, S42, S43, S44, S45, S46, S47, S48, S49, S50, S51, S52, S53, S54, S55, S56, S57, S58, S59, S60, S61, S62, S63, S64, S65, S66, S67, S68, S69, S70, S71, S72, S73, S74, S75, S76, S77, S78, S79, S80, S81, S82, S83, S84, S85, S86, S87, S88, S89, S90, S91, S92, S93, S94, S95, S96, S97, S98, S99, S100
- T1 - THERMOSTAT, HIGH LIMIT, 75EN
- T2 - THERMOSTAT, LOW LIMIT, 2X MINUTES
- X1 - TRANSFORMER, CONTROL
- WIDE MARKERS

**Lincoln**  
 Rodservices Products, Inc.  
 FORT WAYNE, INDIANA  
 Impinger II

2805562

**SCHEMATIC DIAGRAM**  
**MODEL 1130-080-A, 1130-080-A1, 1131-080-A, 1131-080-A1**  
**S/N 0809210000016 AND BELOW**

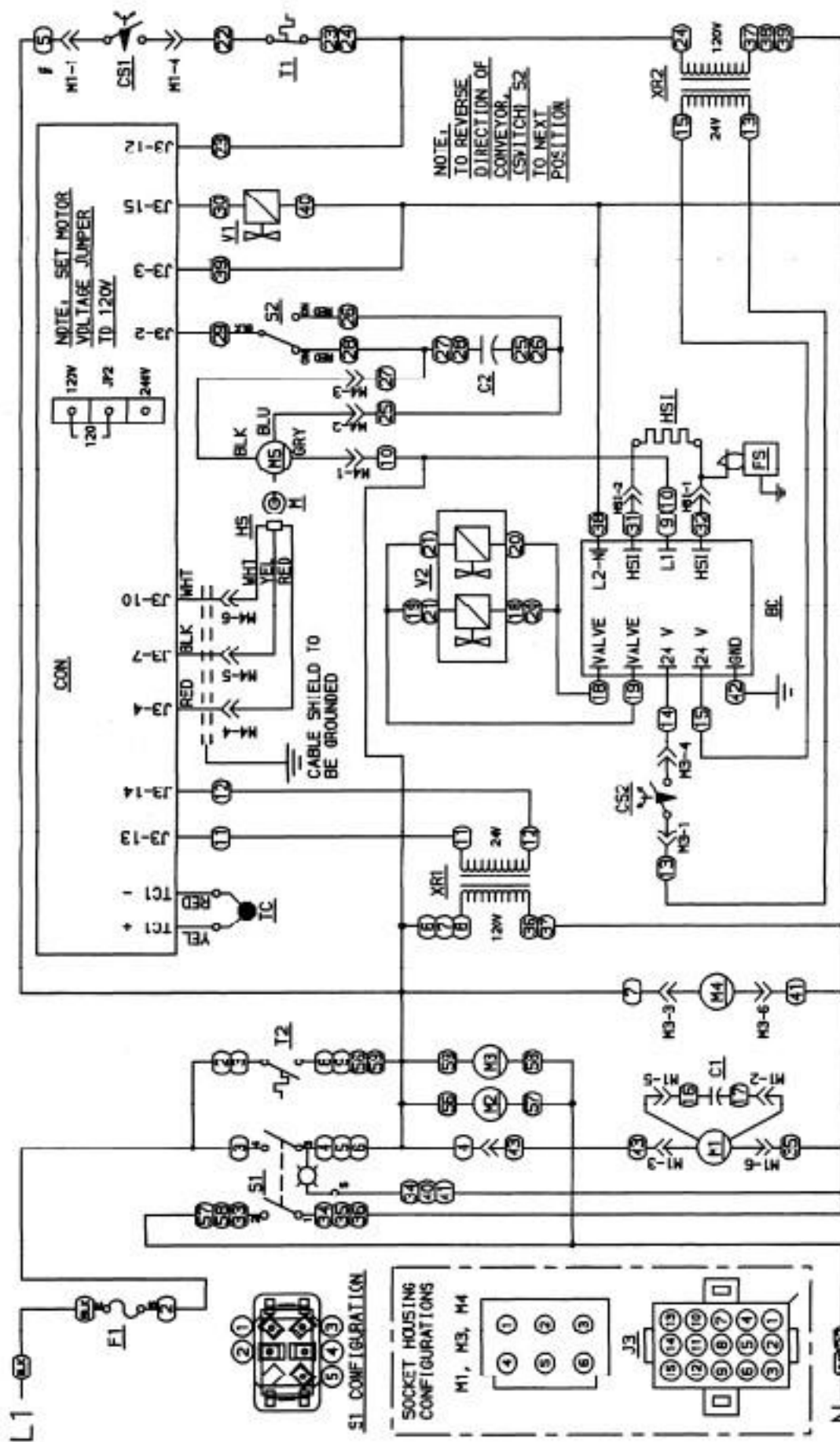


- R2 - RELAY, DRAIN START & COOL DOWN
- R1 - RELAY, DRAIN
- S1 - SWITCH, MAIN POWER
- S2 - SWITCH, CONDENSER FAN MOTOR
- S3 - SWITCH, EVAPORATOR FAN MOTOR
- T1 - THERMOSTAT, HIGH LIMIT, WEN
- T2 - THERMOSTAT, TYPICAL
- T3 - THERMOSTAT, TYPICAL
- T4 - THERMOSTAT, TYPICAL
- T5 - THERMOSTAT, TYPICAL
- T6 - THERMOSTAT, TYPICAL
- T7 - THERMOSTAT, TYPICAL
- T8 - THERMOSTAT, TYPICAL
- T9 - THERMOSTAT, TYPICAL
- T10 - THERMOSTAT, TYPICAL
- T11 - THERMOSTAT, TYPICAL
- T12 - THERMOSTAT, TYPICAL
- T13 - THERMOSTAT, TYPICAL
- T14 - THERMOSTAT, TYPICAL
- T15 - THERMOSTAT, TYPICAL
- T16 - THERMOSTAT, TYPICAL
- T17 - THERMOSTAT, TYPICAL
- T18 - THERMOSTAT, TYPICAL
- T19 - THERMOSTAT, TYPICAL
- T20 - THERMOSTAT, TYPICAL
- T21 - THERMOSTAT, TYPICAL
- T22 - THERMOSTAT, TYPICAL
- T23 - THERMOSTAT, TYPICAL
- T24 - THERMOSTAT, TYPICAL
- T25 - THERMOSTAT, TYPICAL
- T26 - THERMOSTAT, TYPICAL
- T27 - THERMOSTAT, TYPICAL
- T28 - THERMOSTAT, TYPICAL
- T29 - THERMOSTAT, TYPICAL
- T30 - THERMOSTAT, TYPICAL
- T31 - THERMOSTAT, TYPICAL
- T32 - THERMOSTAT, TYPICAL
- T33 - THERMOSTAT, TYPICAL
- T34 - THERMOSTAT, TYPICAL
- T35 - THERMOSTAT, TYPICAL
- T36 - THERMOSTAT, TYPICAL
- T37 - THERMOSTAT, TYPICAL
- T38 - THERMOSTAT, TYPICAL
- T39 - THERMOSTAT, TYPICAL
- T40 - THERMOSTAT, TYPICAL
- T41 - THERMOSTAT, TYPICAL
- T42 - THERMOSTAT, TYPICAL
- T43 - THERMOSTAT, TYPICAL
- T44 - THERMOSTAT, TYPICAL
- T45 - THERMOSTAT, TYPICAL
- T46 - THERMOSTAT, TYPICAL
- T47 - THERMOSTAT, TYPICAL
- T48 - THERMOSTAT, TYPICAL
- T49 - THERMOSTAT, TYPICAL
- T50 - THERMOSTAT, TYPICAL
- T51 - THERMOSTAT, TYPICAL
- T52 - THERMOSTAT, TYPICAL
- T53 - THERMOSTAT, TYPICAL
- T54 - THERMOSTAT, TYPICAL
- T55 - THERMOSTAT, TYPICAL
- T56 - THERMOSTAT, TYPICAL
- T57 - THERMOSTAT, TYPICAL
- T58 - THERMOSTAT, TYPICAL
- T59 - THERMOSTAT, TYPICAL
- T60 - THERMOSTAT, TYPICAL
- T61 - THERMOSTAT, TYPICAL
- T62 - THERMOSTAT, TYPICAL
- T63 - THERMOSTAT, TYPICAL
- T64 - THERMOSTAT, TYPICAL
- T65 - THERMOSTAT, TYPICAL
- T66 - THERMOSTAT, TYPICAL
- T67 - THERMOSTAT, TYPICAL
- T68 - THERMOSTAT, TYPICAL
- T69 - THERMOSTAT, TYPICAL
- T70 - THERMOSTAT, TYPICAL
- T71 - THERMOSTAT, TYPICAL
- T72 - THERMOSTAT, TYPICAL
- T73 - THERMOSTAT, TYPICAL
- T74 - THERMOSTAT, TYPICAL
- T75 - THERMOSTAT, TYPICAL
- T76 - THERMOSTAT, TYPICAL
- T77 - THERMOSTAT, TYPICAL
- T78 - THERMOSTAT, TYPICAL
- T79 - THERMOSTAT, TYPICAL
- T80 - THERMOSTAT, TYPICAL
- T81 - THERMOSTAT, TYPICAL
- T82 - THERMOSTAT, TYPICAL
- T83 - THERMOSTAT, TYPICAL
- T84 - THERMOSTAT, TYPICAL
- T85 - THERMOSTAT, TYPICAL
- T86 - THERMOSTAT, TYPICAL
- T87 - THERMOSTAT, TYPICAL
- T88 - THERMOSTAT, TYPICAL
- T89 - THERMOSTAT, TYPICAL
- T90 - THERMOSTAT, TYPICAL
- T91 - THERMOSTAT, TYPICAL
- T92 - THERMOSTAT, TYPICAL
- T93 - THERMOSTAT, TYPICAL
- T94 - THERMOSTAT, TYPICAL
- T95 - THERMOSTAT, TYPICAL
- T96 - THERMOSTAT, TYPICAL
- T97 - THERMOSTAT, TYPICAL
- T98 - THERMOSTAT, TYPICAL
- T99 - THERMOSTAT, TYPICAL
- T100 - THERMOSTAT, TYPICAL

**Impinger**  
 Foodservice Products, Inc.  
 FORT WAYNE, INDIANA  
 Impinger II

2806563

**SCHEMATIC DIAGRAM**  
**MODEL 1116-080-A, 1116-080-A1, 1117-080-A, 1117-080-A1**



**Lincoln**  
**Foodservice Products, Inc.**  
**FORT WAYNE, INDIANA**  
**IMPINGER II ADVANTAGE 2000**

- MOTOR, BURNER BLOWER
- MOTOR, CONVEYOR
- SWITCH, MAIN POWER
- SWITCH, CONVEYOR REVERSING
- THERMOSTAT, HI LIMIT CTRL BOX
- THERMOSTAT, COOLING FAN
- THERMOCOUPLE, TYPE K
- VALVE, TEMPERATURE REGULATION
- VALVE, DUAL SAFETY
- TRANSFORMER, CONTROL
- TRANSFORMER, BURNER
- WIRE NUMBERS

- BURNER CONTROL
- CAPACITOR, MAIN FAN
- CONTROL, CONVEYOR MOTOR
- CONTROL, OVEN
- SWITCH, MAIN FAN CENT.
- SWITCH, BURNER BLOWER CENT.
- FUSE, MOTOR & CONTROLS, 10A
- FLAME SENSOR
- HALL EFFECT SENSOR
- HOT SURFACE IGNITER
- MAGNET
- MOTOR, MAIN FAN
- MOTOR, COOLING FAN