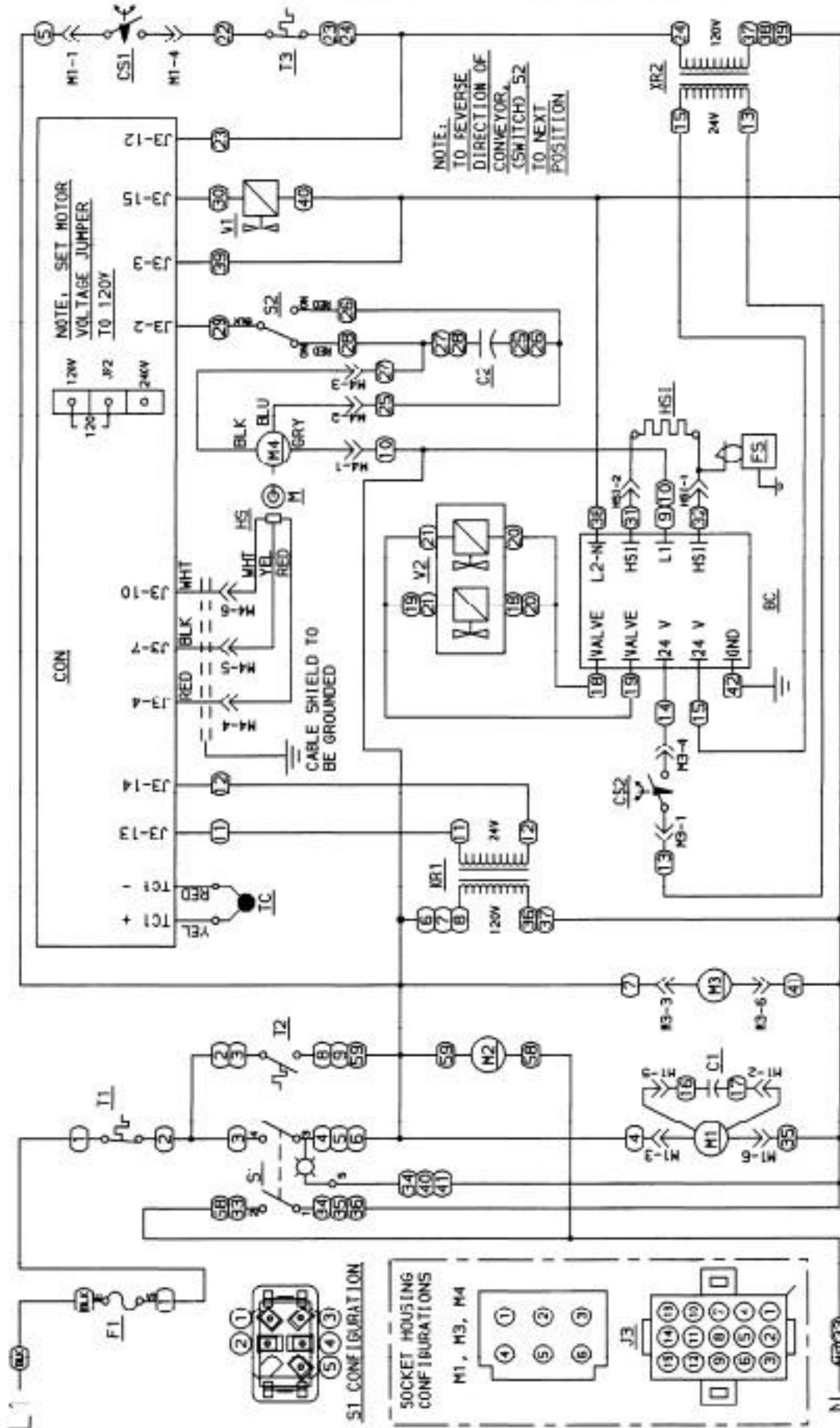


**SCHEMATIC DIAGRAM
MODEL 1116-000-A, 1117-000-A
SERIAL NUMBER 2038616 AND ABOVE**

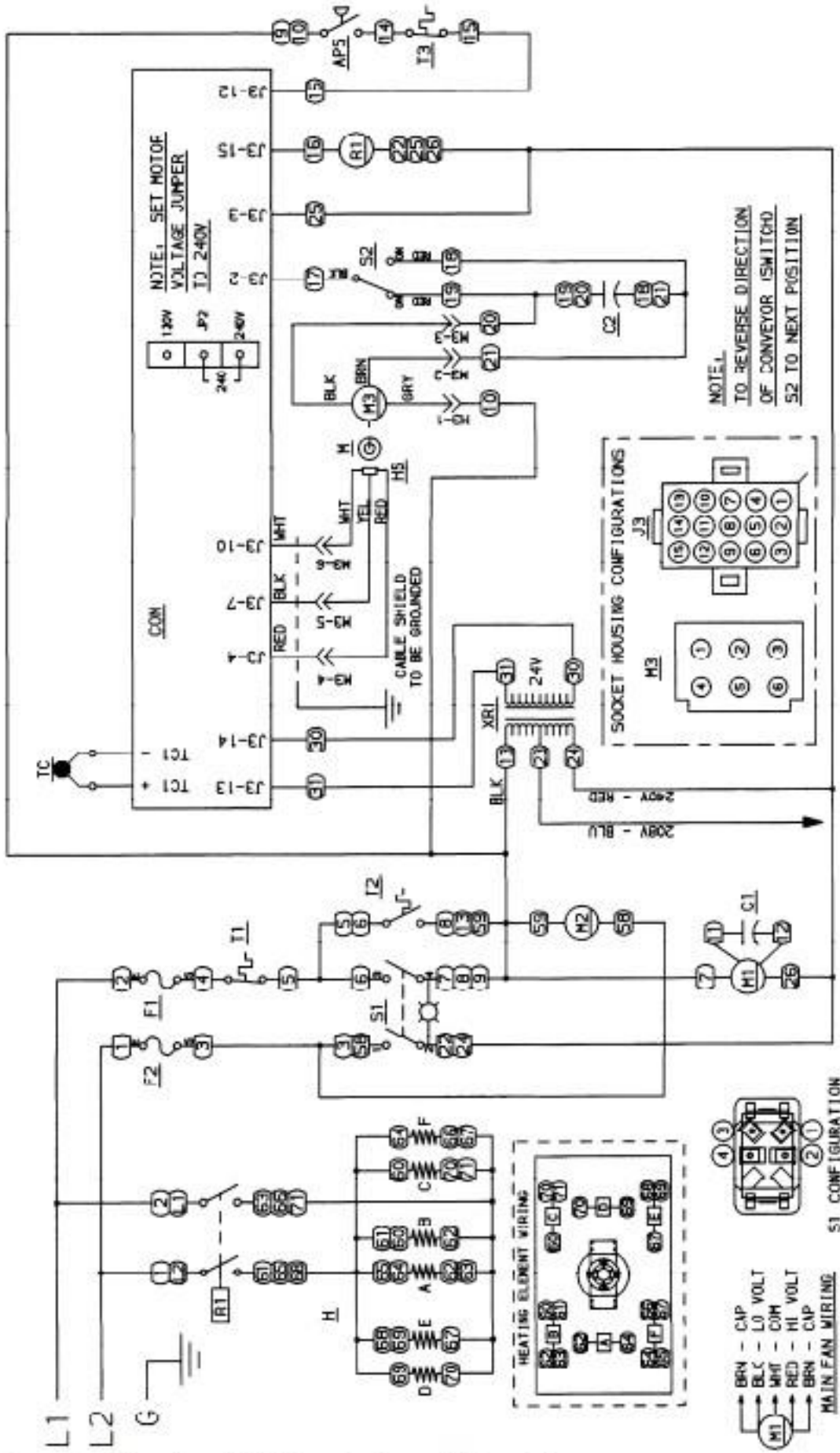


Lincoln
Foodservice Products, Inc.
FORT WAYNE, INDIANA
IMPINGER II ADVANTAGE 2000

- M3 - MOTOR, BURNER BLOWER
- M4 - MOTOR, CONVEYOR
- S1 - SWITCH, MAIN POWER
- S2 - SWITCH, CONVEYOR REVERSING
- T1 - THERMOSTAT, HI LIMIT CTRL BOX
- T2 - THERMOSTAT, COOLING FAN
- T3 - THERMOSTAT, HI LIMIT OVEN
- TC - THERMOUPLE, TYPE K
- V1 - VALVE, TEMPERATURE REGULATION
- V2 - VALVE, DUAL SAFETY
- XR1 - TRANSFORMER, CONTROL
- XR2 - TRANSFORMER, BURNER
- (X) - WIRE NUMBERS

- BC - BURNER CONTROL
- C1 - CAPACITOR, MAIN FAN
- C2 - CAPACITOR, CONVEYOR MOTOR
- CON - CONTROL, OVEN
- C51 - SWITCH, MAIN FAN CENT.
- C52 - SWITCH, BURNER BLOWER CENT.
- F1 - FUSE, MOTOR & CONTROLS, 10A
- FS - FLAME SENSOR
- HS - HALL EFFECT SENSOR
- HS1 - HOT SURFACE IGNITER
- H - MAGNET
- M1 - MOTOR, MAIN FAN
- M2 - MOTOR, COOLING FAN

**SCHEMATIC DIAGRAM
MODEL 1130-000-A, 1131-000-A
SERIAL NUMBER 2038616 AND ABOVE**



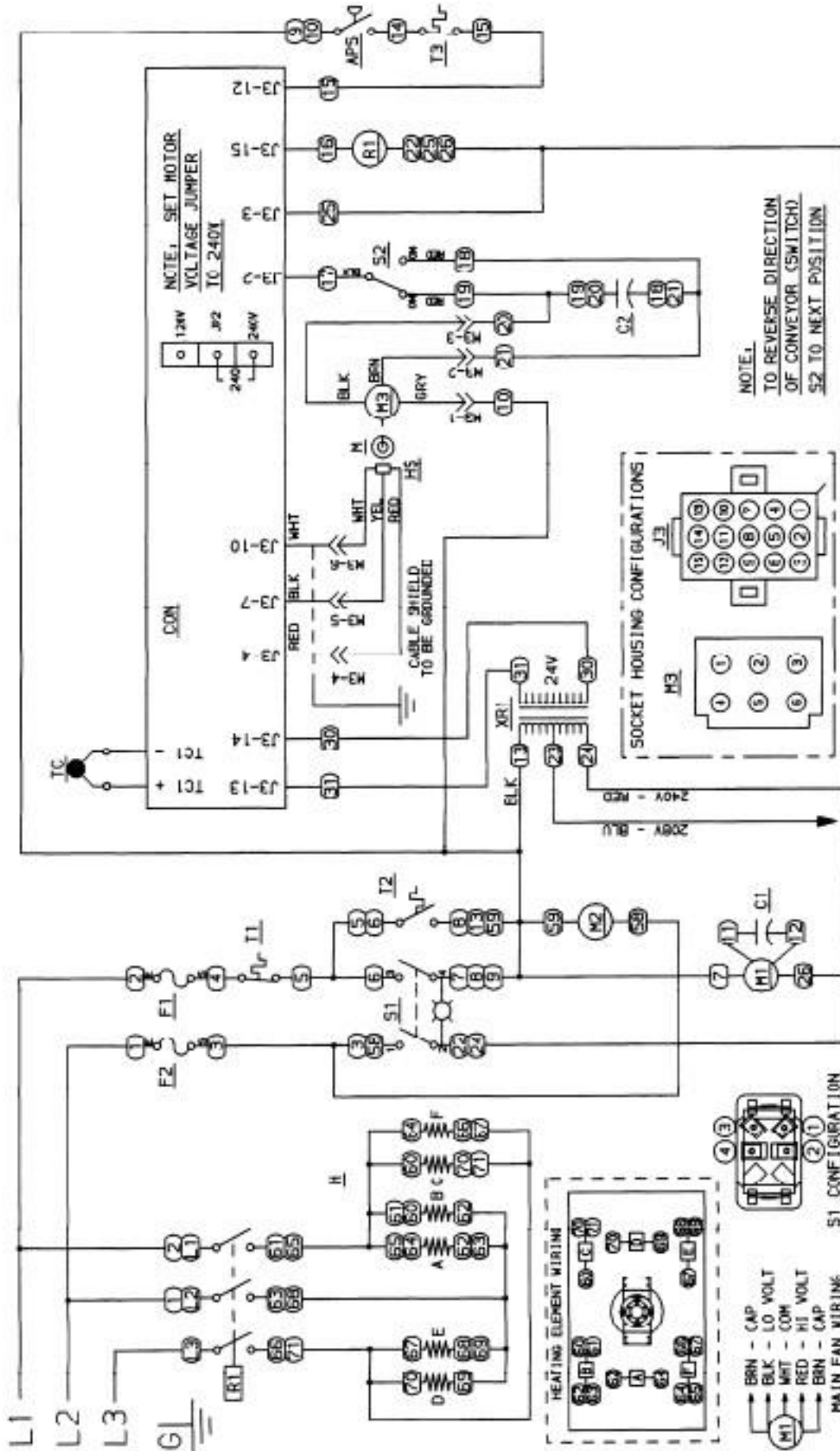
Lincoln
Foodservice Products, Inc.
FORT WAYNE, INDIANA
IMPINGER II ADVANTAGE

- M3 - MOTOR, CONVEYOR
- R1 - RELAY, HEATER
- S1 - SWITCH, MAIN POWER
- S2 - SWITCH, CONVEYOR REVERSING
- T1 - THERMOSTAT, CONTROL BOX HI LIMIT
- T2 - THERMOSTAT, COOLING FAN
- T3 - THERMOSTAT, OVEN HI LIMIT
- TC - THERMOCOUPLE
- XRI - TRANSFORMER, CONTROL
- (XX) - WIRE NUMBERS

- APS - AIR PRESSURE SWITCH
- C1 - CAPACITOR, MAIN FAN
- C2 - CAPACITOR, CONVEYOR MOTOR
- CON - CONTROL, OVEN, DIGITAL
- F1, F2 - FUSE, MOTOR & CONTROLS, 10A
- H5 - HALL EFFECT SENSOR
- H - HEATER
- M1 - MAGNET
- M2 - MOTOR, MAIN FAN
- M2 - MOTOR, COOLING FAN

28063758

**SCHEMATIC DIAGRAM
MODEL 1132-000-A, 1133-000-A
SERIAL NUMBER 2038616 AND ABOVE**



Lincoln
Foodservice Products, Inc.
FORT WAYNE, INDIANA
IMPINGER II ADVANTAGE

- MOTOR, CONVEYOR
- RELAY, HEATER
- SWITCH, MAIN POWER
- SWITCH, CONVEYOR REVERSING
- THERMISTAT, CONTROL BOX HI LIMIT
- THERMISTAT, COOLING FAN
- THERMISTAT, OVEN HI LIMIT
- THERMOCOUPLE, TYPE K
- TRANSFORMER, CONTROL
- WIRE NUMBERS

- APS - AIR PRESSURE SWITCH
- C1 - CAPACITOR, MAIN FAN
- C2 - CAPACITOR, CONVEYOR MOTOR
- CON - CONTROL, OVEN DIGITAL
- F1 - FUSE, MOTOR & CONTROLS, 10A
- H5 - HALL EFFECT SENSOR
- H - HEATER
- M - MAGNET
- M1 - MOTOR, MAIN FAN
- M2 - MOTOR, COOLING FAN

28663768