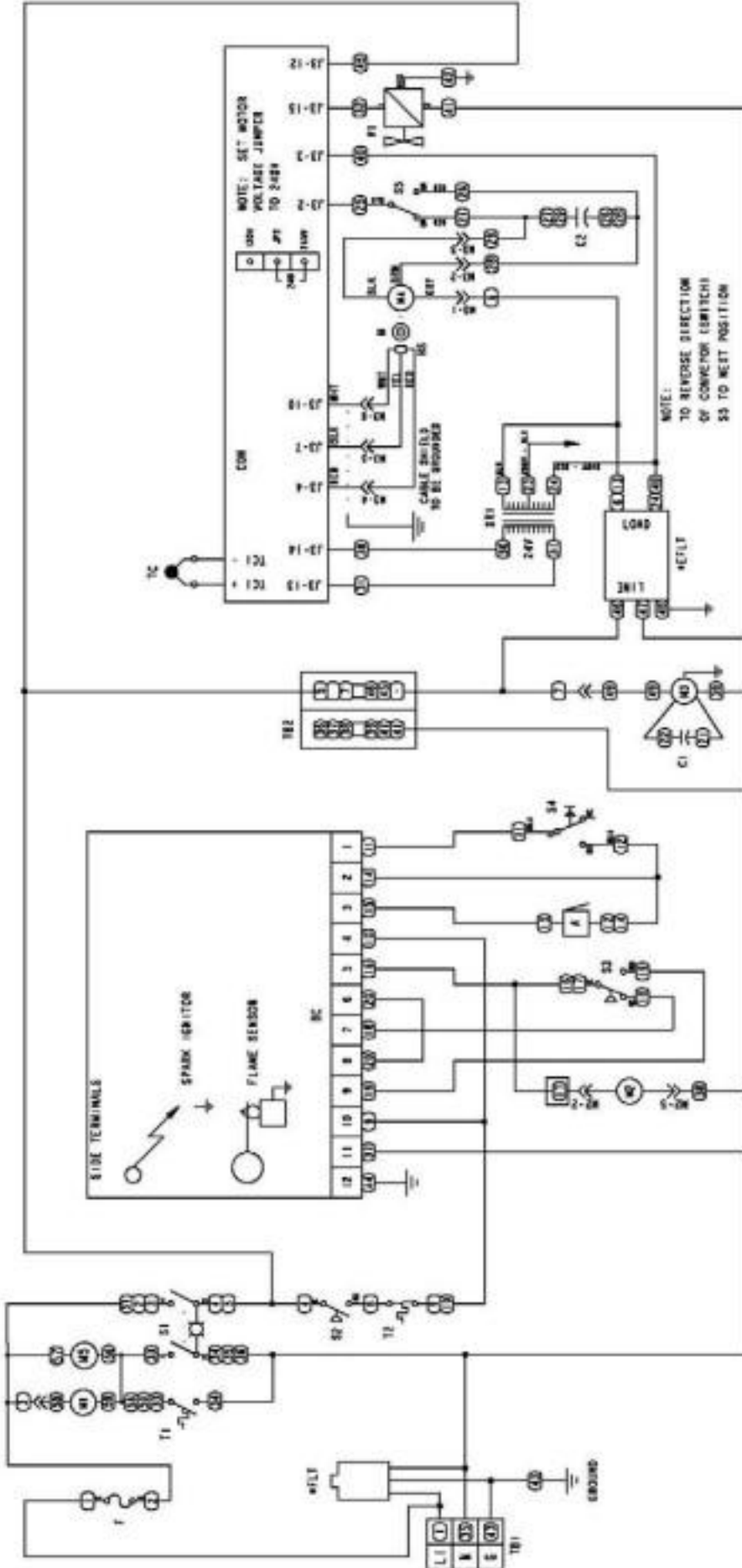
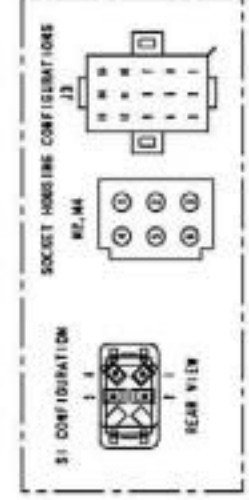


SCHEMATIC DIAGRAM MODEL SERIES 1154, 1155, 1157, 1158 EXPORT EXPRESS SERIES



- A - ALARM & VALVE CONTROL
- BC - BURNER & VALVE CONTROL
- C1 - CAPACITOR, MAIN FAN, T-5 MFD
- C2 - CAPACITOR, CONVEYOR
- CON - CONTROL, OVER
- ETFLT - FILTER, EM
- F - FUSE, OVER, 15A
- FLT - FILTER, BF1
- H3 - HALL SENSOR
- M - MAGNET
- M1-M5 - MOTOR, COOLING FAN
- M2 - MOTOR, BURNER BLOWER
- M3 - MOTOR, MAIN FAN
- M4 - MOTOR, CONVEYOR

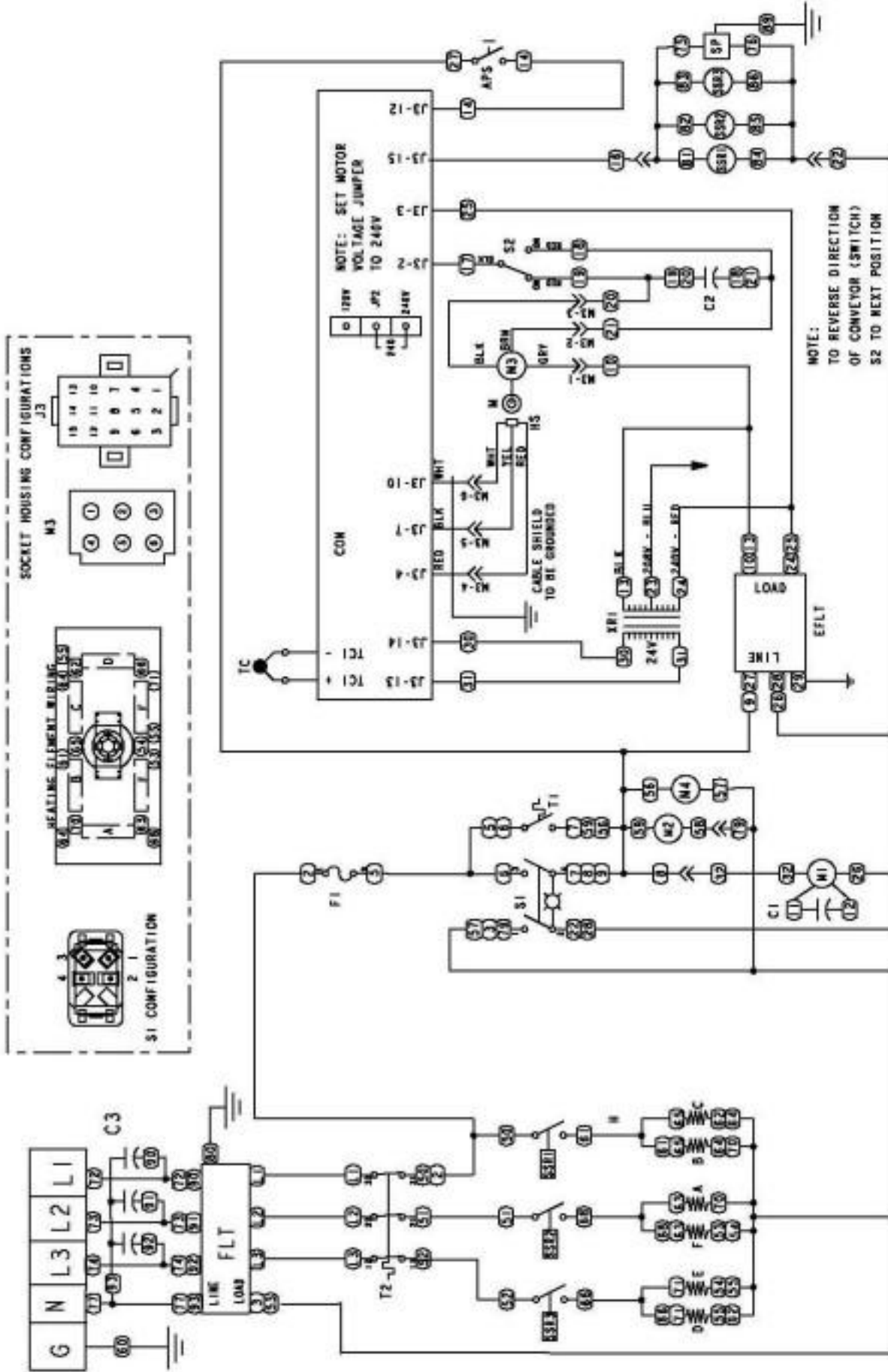
- S1 - SWITCH, OVER POWER
- S2 - SWITCH, OVER AIR PRESSURE
- S3 - SWITCH, BURNER BLOWER AIR PRESSURE
- S4 - SWITCH, BURNER RESET
- S5 - SWITCH, CONVEYOR REVERSING
- T1 - THERMOSTAT, CONTROL BOX COOLING
- T2 - THERMOSTAT, OVER HIGH LIMIT
- T81 - TERMINAL BLOCK, SUPPLY
- T82 - TERMINAL BLOCK, DISTRIBUTION
- TC - THERMOCOUPLE, TYPE K
- V1 - VALVE, TEMPERATURE REGULATION
- SRI - TRANSFORMER, CONTROL
- () - WIRE NUMBERS



Lincoln
Foodservice Products, Inc.
FORT WAYNE, INDIANA
IMPINGER IS ADVANTAGE

10331-0338

SCHEMATIC DIAGRAM MODEL SERIES 1164 EXPORT EXPRESS SERIES



Lincolm
Foodservice Products, Inc.
FORT WAYNE, INDIANA
Impinger Ovens

M3 - MOTOR, CONVEYOR
SSR1, SSR2, SSR3 - SOLID STATE RELAY, HEATER
S1 - SWITCH, OVEN POWER
S2 - SWITCH, CONVEYOR REVERSING
SP - SURGE PROTECTOR
T1 - THERMOSTAT, COOLING FAN
T2 - THERMOSTAT, OVEN HI LIMIT
TC - THERMOCOUPLE, TYPE K
XR1 - TRANSFORMER, CONTROL
(WIRE NUMBERS)

APS - AIR PRESSURE SWITCH
C1 - CAPACITOR, MAIN FAN
C2 - CAPACITOR, CONVEYOR MOTOR
C3 - EMI FILTER CAPACITOR ASSY
CON - CONTROL, OVEN
EFLT - FILTER, EMI
F1 - FUSE, MOTOR & CONTROLS, 10A
H - HEATER
M - HALL EFFECT SENSOR
M1 - MOTOR, MAIN FAN
M2, M4 - MOTOR, COOLING FAN