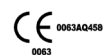


Impinger® Conveyor Oven Series 1400

Installation, Operation and Maintenance Manual

FOR 60 HZ SUPPLY



Original Instructions

Safety Notices

DEFINITIONS

DANGER

Indicates a hazardous situation that, if not avoided, will result in death or serious injury. This applies to the most extreme situations.

Warning

Indicates a hazardous situation that, if not avoided, could result in death or serious injury.

Caution

Indicates a hazardous situation that, if not avoided, could result in minor or moderate injury.

Notice

Indicates information considered important, but not hazard-related (e.g. messages relating to property damage).

NOTE: Indicates useful, extra information about the procedure you are performing.

Read These Before Proceeding:

DANGER

Do not install or operate equipment that has been misused, abused, neglected, damaged, or altered/modified from that of original manufactured specifications.

Important

Read these instructions for use carefully so as to familiarize yourself with the appliance before connecting it to its gas container. Keep these instructions for future reference.

Warning

Improper installation adjustment, alteration, service or maintenance can cause property damage, injury or death. Read the installation, operating and maintenance instructions thoroughly before installing or servicing this equipment.

Warning

Authorized Service Representatives are obligated to follow industry standard safety procedures, including, but not limited to, local/national regulations for disconnection / lock out / tag out procedures for all utilities including electric, gas, water and steam.

Warning

This appliance is not intended for use by persons (including children) with reduced physical, sensory or mental capabilities, or lack of experience and knowledge, unless they have been given supervision concerning use of the appliance by a person responsible for their safety. Do not allow children to play with this appliance.

Warning

This equipment is intended for indoor use only. Do not install or operate this equipment in outdoor areas.

Warning

Do not use electrical appliances or accessories other than those supplied by the manufacturer.

FOR YOUR SAFETY

Do Not Store Or Use Gasoline Or Other Flammable Vapors Or Liquids In The Vicinity Of This Or Any Other Appliance.

Warning

Never use a high-pressure water jet for cleaning or hose down or flood interior or exterior of units with water. Do not use power cleaning equipment, steel wool, scrapers or wire brushes on stainless steel or painted surfaces.

Caution

Maintenance and servicing work other than cleaning as described in this manual must be done by authorized service personnel.

NOTE: Proper installation, care and maintenance are essential for maximum performance and trouble-free operation of your equipment. Visit our website www.mtwkitchencare.com for manual updates, translations, or contact information for service agents in your area.

Table of Contents

	Safety Notices	2
	Definitions.....	2
Section 1		
General Information		
	Purchaser’s Responsibility	5
	Additional Requirements	5
	Model Number Key	6
Section 2		
Installation		
	Exterior Dimensions – 1400	7
	Specifications – Models with Gas Heat	8
	Specifications – Models with Electric Heat	9
	Canopy Ventilation Recommendations	10
	Installation Requirements	11
	Gas Code Requirements	11
	Electrical Code Requirements.....	11
	Spacing Requirements	12
	Ventilation Requirements.....	12
	Restraint Requirement – ALL Oven(s) on Casters	13
	Installation	13
	Unloading	13
	Uncrating.....	13
	Manual Gas Valve Installation	14
	Stand and Finger Assembly	14
	Stand Assemblies	14
	Stacking Instructions	14
	Finger Assemblies	15
	CE 50 Hz Electric	16
	Installation Checklist	16
	Checklist	16
	Start-Up Procedures	17
	Smoke Candle Test – Ventilation System Verification.....	17
	Finger Housing Baffle Plate Adjustments.....	17

**Section 3
Operation**

Information on Use of Oven 18
Operation and Programming (All Models)..... 19
 Introduction – Start-Up and Shut Down..... 19
 Front Panel Layout..... 19
 Temperature Set Points..... 19
 Time Set Points..... 19
 Jumping Between Menus 19
 Diagnostic Messages 19
 Reversing Switch 19
Functions 19
 Thermal Cut-Out Switch 19
Preset Operation (Models with 1-2-3-4) 20
 Setting Temperature and Time..... 20
 Programming Displayed Temperature and Time as a Preset..... 21
 Selecting a Preset 22
To Change Conveyor Speed 22
Oven Shut-Down Instructions 22
Cooking Guidance 22

**Section 4
Maintenance**

Preventive Maintenance 23
Daily Cleaning 23
Weekly Cleaning..... 24

**Section 5
Troubleshooting**

Before Calling for Service Checklist..... 26
Thermal Cut-Out Switch for Control Box Components 26

Section 1

General Information

Purchaser's Responsibility

It is the responsibility of the purchaser:

1. To see that the gas and electric services for the oven are installed on site in accordance with the manufacturer's specification.
2. To unload, uncrate, and install the oven in its proper location; in accordance with this installation/operation manual.
3. To see that the gas and electric services are connected properly by a qualified installer of your choice. For installation in the State of Massachusetts: Installation of this oven must be performed by a licensed plumber or gas fitter. All such connections must be in accordance with applicable code requirements. Refer to "Installation Requirements" section for specific information.
4. To arrange for inspection and operation check-out by a Factory Authorized Servicer as described below:

Do not attempt to operate the oven until connection of utility service has been fully inspected by a Factory Authorized Servicer or a Lincoln Foodservice Products, LLC Service Representative. This service is required by Lincoln Foodservice Products, LLC in order to assist the purchaser in proper start-up of the oven on site. Please note the specific details on the Warranty and make certain connections are made to proper utility services.

The warranty shall not apply if the oven(s) are started up and operated prior to the utilities and oven being inspected and check-out made by a Factory Authorized Servicer or a Lincoln Foodservice Products, LLC Service Representative.

Notice

General operator maintenance and cleaning is critical to oven performance. Failure to follow guidelines listed in this manual may result in component failure not covered by warranty.

ADDITIONAL REQUIREMENTS

- Obtain from your local gas provider and post in a prominent location instructions to be followed in the event gas odors are detected.
- It is required that the oven be placed under a ventilation hood to provide for adequate air supply and ventilation.
- Minimum clearances must be maintained from all walls and combustible materials. See "Spacing Requirements" section for more information.
- Keep the oven free and clear of combustible material.
- Adequate clearance for air openings to the combustion control chamber on the right side of the oven is required.
- Do not obstruct the ventilation holes in the control panels, as these provide the combustion air for the burner and cooling air for the controls.
- The oven is to be operated only on the type of gas and/or electricity as shown on the specification plate.
- The power burner will not operate and gas will not flow through the burner without electrical power.
- This manual should be retained for future reference.
- The electrical wiring diagram is located under the control box covers.

IN AUSTRALIA: Refer to Standard AS 5601. This standard specifies the requirements for piping, flues, ventilation and appliance installation associated with use of or intended use of fuel gases. The requirements of AS 5601 are to be used in conjunction with, but do not take precedence over, any statutory regulations that may apply in any area.

IN SOUTH AFRICA: Installation shall only be carried out by a registered installer, and installation shall comply with requirements of SANS 10087-1 or SANS 827, as applicable.

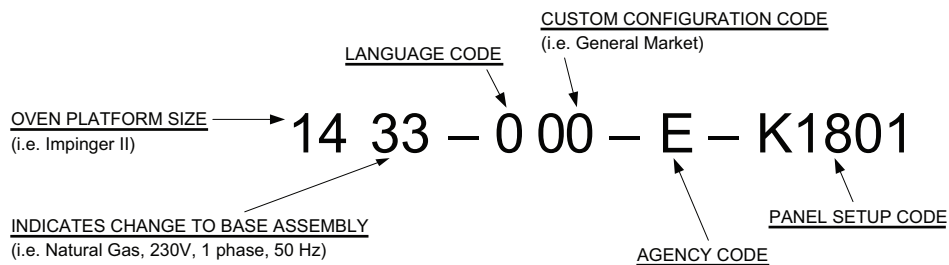
All ovens require separate service and dedicated neutral.

Gas Pressure Conversion

Inches of Water Column	kPa	m-Bar	Millimeters of Water Column
3.5	0.87	8.70	88.9
4.5	1.12	11.2	114.3
7	1.74	17.40	177.8
8	1.99	19.90	203.2
9.2	2.29	22.90	233.7
10	2.48	24.87	254.0
10.5	2.61	26.11	266.7
11	2.73	27.36	279.4
14	3.48	34.81	355.6
14.5	3.61	36.05	368.3

Model Number Key

Example: 1433-B00-E-K1801



Language Code

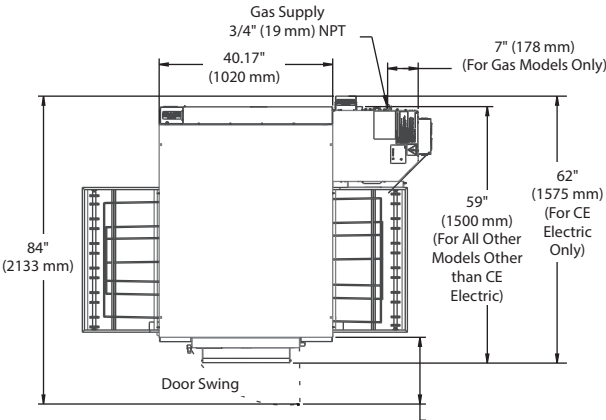
Code	Language	Country
0	English	Dom. & Int. Default
B	French	CE – France/Luxembourg
C	German	CE – Germany
D	Italian	CE – Italy
E	Spanish	CE – Spain
F	English	CE – UK/India/Africa/Hungary
G	Spanish	Mexico/Latin America
H	Portuguese	CE – Portugal
I	Not Used	---
J	Danish	CE – Denmark
K	Dutch & French	CE – Belgium
L	Dutch	CE – Netherlands
M	Greek	CE – Greece
N	Finnish	CE – Finland
O	Restricted	---
P	Norwegian	CE – Norway
Q	English	Japan
R	Swedish	CE – Sweden
S	English	Australia
T	Mandarin	China
U	Restricted	---
V	English	Pacific Rim/Korea
W	English	Middle East/Africa
X	Not Used	---
Y	Not Used	---
Z	Not Used	---

Agency Code

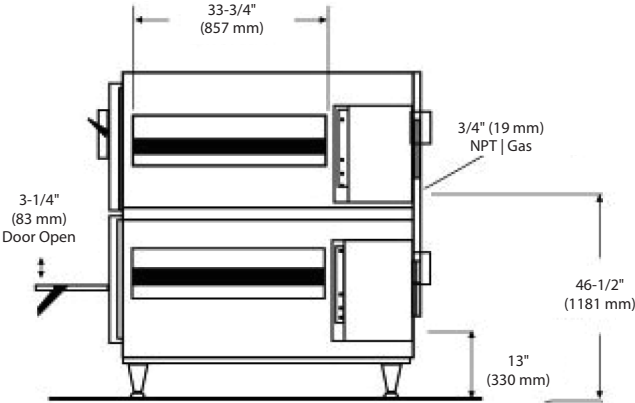
Code	Agency
N	No agency
E	CE & RoHS compliance combined
U	US & Canada compliance only
A	Advantage style oven
B	Australia AGA

Section 2 Installation

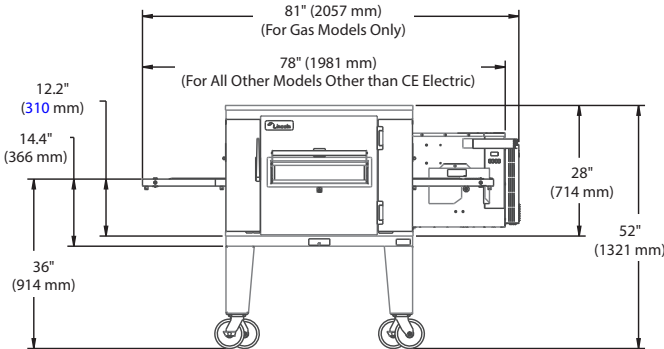
Exterior Dimensions – 1400



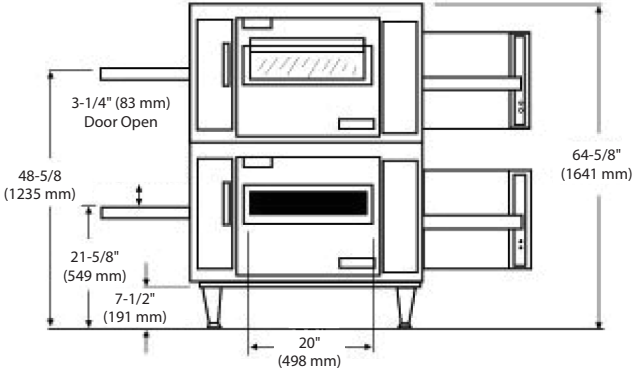
1400 Top View, All Stacking Configurations



1400 Double, 4-in Casters, Right View



1400 Tall Stand, Single, 6-in Caster, Front View



Shown with Open Glass Access Door

1400 Double, 4-in Casters, Front View

Specifications – Models with Gas Heat

Electrical Service – All Models with Gas Heat

	Voltage (AC)	Phase
60 Hz Ovens	120	1
50 Hz Ovens	230/240	1

Notice

Do not install the (these) oven(s) in any area with an ambient temperature in excess of 95°F/35°C. Doing so will cause damage to the unit(s).

General Information – 1400 Gas Ovens

*Model	Energy	Power	Voltage	Current	Phase	Hz	Recommended Electrical Specification	Gas
1433-xxx-E-Kxxx	Nat. Gas	Hs 34.8 kW	230 VAC	3 Amps	1	50 Hz	3 Wires, 1 Pole 1N-1G	H ₅ 34.8 kW/hr at 17.4 mB H ₂ O column** 3.88 m ³ /hr
1434-xxx-E-Kxxx	L.P. Gas	Hs 40 kW	230 VAC	3 Amps	1	50 Hz	3 Wires, 1 Pole 1N-1G	H ₅ 40 kW/hr at 27.4 mB H ₂ O column** 1.14 m ³ /hr
1440-xxx-E-Kxxx	Nat. Gas	35 kW	120 VAC	3 Amps	1	60 Hz	3 Wires, 1 Pole 1N-1G	35 kW/hr at 27.4 mB H ₂ O column**
1441-xxx-E-Kxxx	L.P. Gas	35 kW	120 VAC	3 Amps	1	60 Hz	3 Wires, 1 Pole 1N-1G	35 kW/hr at 27.4 mB H ₂ O column**
1444-xxx-U-Kxxx	Nat. Gas	120,000 BTU	120 VAC	5 Amps	1	60 Hz	3 Wires, 1 Pole 1N-1G	120,000 BTU at 7 inches H ₂ O column**
1446-xxx-N-Kxxx	Nat. Gas	120,000 BTU	220/230 VAC	5 Amps	1	50 Hz	3 Wires, 1 Pole 1N-1G	120,000 BTU @ 1.7 kPa
1447-xxx-N-Kxxx	L.P. Gas	120,000 BTU	220 VAC	3 Amps	1	60 Hz	3 Wires, 1 Pole 1N-1G	120,000 BTU at 11 inches H ₂ O column**
1450-xxx-U-Kxxx	Nat. Gas	120,000 BTU	120 VAC	5 Amps	1	60 Hz	3 Wires, 1 Pole 1N-1G	120,000 BTU at 7 inches H ₂ O column**
1451-xxx-U-Kxxx	L.P. Gas	120,000 BTU	120 VAC	5 Amps	1	60 Hz	3 Wires, 1 Pole 1N-1G	120,000 BTU at 11 inches H ₂ O column**
1456-xxx-B-Kxxx	Nat. Gas	120,000 BTU	220/240 VAC	5 Amps	1	50 Hz	3 Wires, 1 Pole 1N-1G	120,000 BTU at 7 inches H ₂ O column**
1457-xxx-B-Kxxx	L.P. Gas	120,000 BTU	220/240 VAC	5 Amps	1	50 Hz	3 Wires, 1 Pole 1N-1G	120,000 BTU at 11 inches H ₂ O column**
1474-xxx-E-Kxxx	Nat. Gas	35 kW	220 VAC	3 Amps	1	50 Hz	3 Wires, 1 Pole 1N-1G	35 kW/hr at 27.4 mB H ₂ O column**

* Reference Model Number Key, Section 1.

Gas Pressure Conversion Chart

Inches of Water Column	kPa	m-Bar	Millimeters of Water Column
3.5	0.87	8.7	88.9
4.5	1.12	11.2	114.3
7	1.74	17.4	177.8
10	2.48	24.87	254.0
10.5	2.61	26.11	266.7
11	2.73	27.36	279.4
14	3.48	34.81	355.6
14.5	3.61	36.05	368.3

Electrical Supply for Gas 3240 Ovens in Australia:

Single Phase: 240 VAC, 50 Hz / 20 Amp: one neutral and one earth/ground.

NOTE: In Australia, use a 10 Amp General Purpose Outlet.

All ovens require separate service and dedicated neutral.

Specifications

Body: Stainless Steel	Power: Gas and/or Electric
DB Level: ≤ 71 dba	Operating Temperature Range: 300°F - 600°F (149°C - 316°C)

NOTE: For proper operation, the gas valve requires a nominal inlet pressure of 7 inches H₂O column for natural gas and 11 inches of H₂O column for L.P. gas. A minimum inlet pressure of 1.0 inch of H₂O above the manifold setting (NAT. manifold 3.5 inch H₂O, L.P. manifold 10 inch H₂O) must be maintained with no pressure drop from the no load to full load condition. The maximum inlet pressure must be maintained at or below 1/2 psig (14.5 inches H₂O column). Refer to the chart on the left for pressure conversions.

Specifications – Models with Electric Heat

Utility Specifications Required – Electric

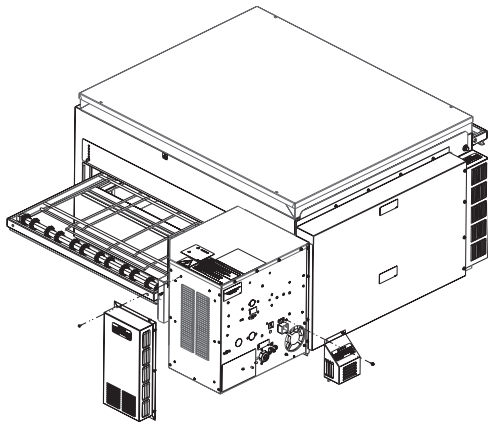
*Model	Energy	Power	Voltage	Current	Phase	Hz	Recommended Electrical Specifications
1421-xxx-E-Kxxx	Electric	27 kW	400/230V	40 Amps	3	50 Hz	5 Wires, 3 Poles 1N-1G
1452-xxx-U-Kxxx	Electric	27 kW	120/208V	80 Amps	3	60 Hz	4 Wires, 3 Poles 1G
1453-xxx-U-Kxxx	Electric	27 kW	120/240V	70 Amps	3	60 Hz	4 Wires, 3 Poles 1G
1454-xxx-N-Kxxx	Electric	27 kW	380Y/220	41 Amps	3	50 Hz	5 Wires, 3 Poles 1N-1G
1455-xxx-N-Kxxx	Electric	27 kW	415Y/240	38 Amps	3	50 Hz	5 Wires, 3 Poles 1N-1G
1458-xxx-E-Kxxx	Electric	27 kW	400	38 Amps	3	50 Hz	5 Wires, 3 Poles 1N-1G

Electrical Supply for Electric 3240 Ovens in Australia:

Single Phase: 240 VAC, 50 Hz / 20 Amp; one neutral and one earth/ground.

Three Phase: 240/415 VAC / 20 Amp; three active, one neutral and one earth/ground.

All ovens require separate service and dedicated neutral.



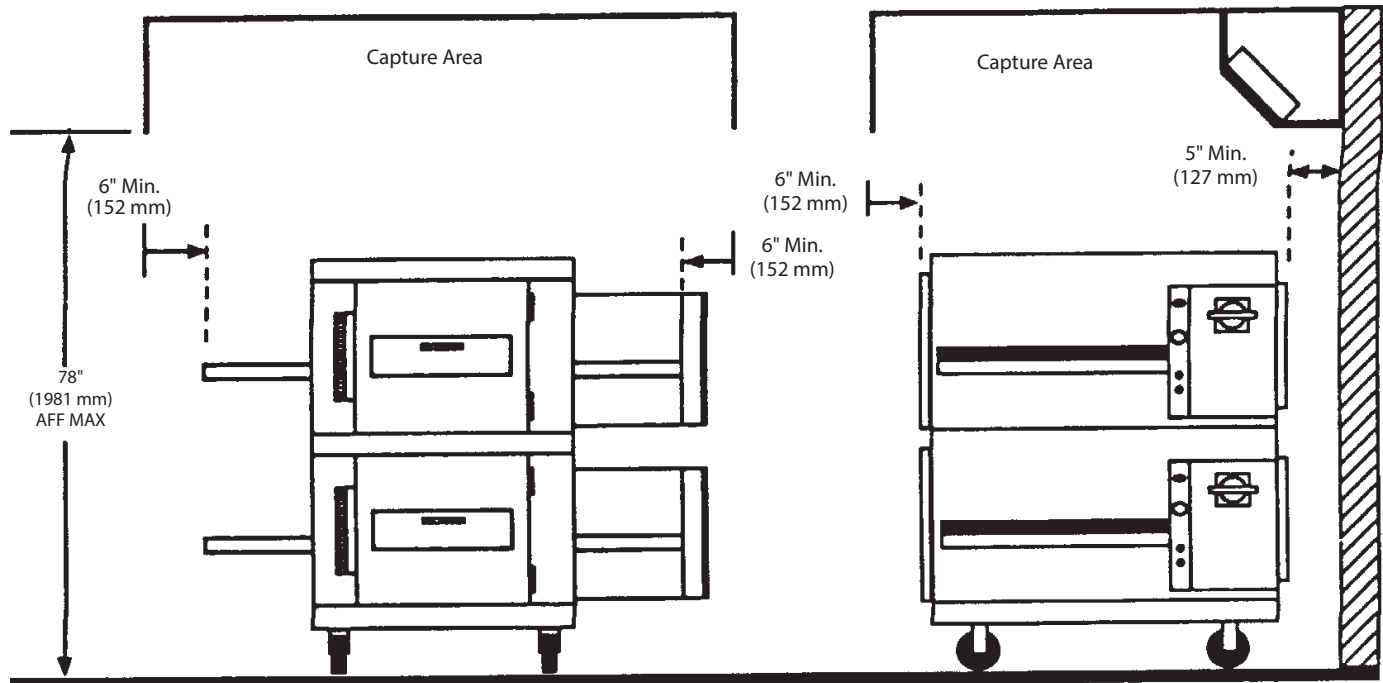
⚠ Warning

These covers **MUST** be installed on 50 Hz Electric 1400 ovens. It is illegal and potentially dangerous to operate a 50 Hz Electric oven (any Electric 1400 oven containing the CE mark) without these covers in place. Not doing so will cause a liability issue, in the event of an accident.

Notice

Do not install the (these) oven(s) in any area with an ambient temperature in excess of 95°F/35°C. Doing so will cause damage to the unit(s).

Canopy Ventilation Recommendations



AFF = Above Finished Floor

NOTE: The drawing shown is a typical installation and is intended to be a guideline. It is not a rigid specification. Hood dimensions and the positioning of the hood over the oven will vary with hood manufacturers.

NOTE: Lincoln can provide oven spec sheets that show the dimensions of the oven, kW or BTU ratings and other information that will be useful to both the ventilation hood supplier and the HVAC contractor.

Installation Requirements

⚠ DANGER

All utility connections and fixtures must be maintained in accordance with local and national codes.

GAS CODE REQUIREMENTS

⚠ DANGER

Conversion of this appliance from one type of gas to another must only be performed by qualified, licensed, and authorized installation or service personnel. Conversion without the proper components may result in fire or explosion.

⚠ Warning

A manual shut-off valve must be installed in the gas supply (service) line upstream of this appliance and in a position where it can be reached quickly in the event of an emergency.

Safe and satisfactory operation of this oven depends to a great extent upon its proper installation, and it should be installed, as applicable in accordance with the National Fuel Gas Codes, ANSI Z223.1/NFPA 54, latest version, manufacturers' installation instructions and local municipal building codes.

1. The oven and its individual shut off valve must be disconnected from the gas supply piping system during any pressure testing of that system at test pressures in excess of 1/2 psig (3.45 kPa).
2. The oven must be isolated from the gas supply piping system by closing its individual manual shutoff valve during any pressure testing of the gas supply system at test pressures equal to or less than 1/2 psig (3.45 kPa).

IN MASSACHUSETTS: Installation of this oven must be performed by a licensed plumber or gas fitter. All such connections must be in accordance with applicable code requirements. Refer to "Installation Requirements" section for specific information.

The minimum length of a flexible gas supply hose is 36 inches (914 mm).

IN CANADA: The installation of these appliances is to be in accordance with CSA B.149.1 latest version – Natural Gas and Propane Installation Code – and/or local codes.

IN AUSTRALIA: To be installed in accordance with AS 5601-2004 and 4563-2004 Gas Installation Code.

IN SOUTH AFRICA: To be installed in accordance with SANS 10087-1 or SANS 827, as applicable.

NOTE: In the event that verification of pilot flame is needed, a small mirror may be utilized for verification.

If flexible services are provided, they must meet code requirements for such installation.

ELECTRICAL CODE REQUIREMENTS

⚠ Warning

This appliance must be grounded and all field wiring must conform to all applicable local and national codes. Refer to rating plate for proper voltage. It is the responsibility of the end user to provide the disconnect means to satisfy the authority having jurisdiction.

⚠ Warning

This equipment must be positioned so that the plug is accessible unless other means for disconnection from the power supply (e.g., circuit breaker or disconnect switch) is provided.

When installed, this appliance must be electrically grounded and its installation must comply with the National Electric Code, ANSI-NFPA 70, latest edition, the manufacturers' installation instructions, and applicable local municipal building codes.

IN CANADA: All electrical connections are to be made in accordance with CSA C22.2 latest version – Canadian Electrical Code and/or local codes.

ALL OTHER COUNTRIES: Local gas and/or electrical codes will prevail.

1. Strain Relief is provided with each oven. International Dealer/Distributors provide applicable power cord/plug for each customer.
2. All pole disconnection switch must have 3 mm open contact distance.
3. To prevent electrical shock, an equal potential bonding ground lug is provided in the back. This allows the oven to be connected to an external bonding system.
4. If used as double or triple stack and each oven has its own disconnection switch, all switches should be close together.

SPACING REQUIREMENTS

▲ Warning

To avoid instability the installation area must be capable of supporting the combined weight of the equipment and product. Additionally the equipment must be level side to side and front to back.

The oven must have 5 inches (127 mm) of clearance from combustible surfaces. In case other equipment is located on the right side of oven, a minimum clearance of 24 inches (609 mm) is required from that equipment.

FOR ALL OVENS: A 24-inch (609 mm) clearance at the rear of the oven must be obtainable for service access.

FOR PERMANENTLY INSTALLED OVENS: A permanently installed (unmovable) oven requires a minimum of 13 feet clearance on the right hand side to allow for conveyor removal, cleaning, and servicing.

NOTE: Do not install this (these) oven(s) in any area with an ambient temperature in excess of 95°F/35°C. Doing so will cause damage to the unit.

VENTILATION REQUIREMENTS

A VENT IS REQUIRED: Local codes prevail. These are the “authority having jurisdiction” as stated by the NATIONAL FIRE PROTECTION ASSOCIATION, INC. in NFPA 96 latest edition. In addition, to be in compliance with the NFPA 54 Section 10.3.5.2, this unit must be installed with a ventilation hood interlock that prevents the unit from operating when the ventilation hood is off. For further ventilation information, see below.

Ventilation Guidelines

A ventilation hood is required to remove heat and cooking odors. For gas ovens, a ventilation hood is also required to remove the products of combustion. The hood and HVAC installation must meet local codes to gain approval by the authority having jurisdiction. Requirements may vary throughout the country depending on the location by city, county, and state. Obtain information from the authority having jurisdiction to determine the requirements for your installation. (NOTE: This oven is considered as “Medium Duty for Baking” when evaluated for code vent requirements.) Obtain information and review copies of codes or documents that will be used to inspect and approve your installation. Your ventilation hood supplier and HVAC contractor should be contacted to provide guidance. A properly engineered and installed ventilation hood and HVAC system will expedite approval and reduce oven maintenance costs. Proper ventilation is the oven owner’s responsibility.

The ventilation hood must operate in harmony with the building HVAC system. It typically requires between 1200 and 3500 CFM exhaust or more with 70% make-up air. (The “Efficiency” of various hood designs makes it necessary to specify such a wide range of ventilator CFM.) Make up air must be supplied by either a hood design or the HVAC system. This will vary with hoods from various manufacturers.

Notice

Prevent airflow through the cooking tunnel. Air must NOT be directed onto the oven front or at side of cooking area or rear of oven.

Ventilation System

NOTE: These ovens are considered “Medium Duty for Baking” when evaluated for code vent requirements.

This information is shown as a guideline for ventilation.

1. Dimensions shown are for ovens without extension shelves. The outside end of the conveyor frame must be a minimum of 6 inches (152 mm) inside the canopy as shown.
2. The capture velocity across the lower edge of the canopy is to be 50 FPM at sides and front.
3. Use filters at rear exhaust area of hood, as shown.
4. At start-up, the CO level must be checked around the oven space under the canopy.
5. This level must be < 10ppm.
6. The ovens are to be centered in the canopy space left-to-right and front-to-back if possible.
7. A 5-inch (127 mm) space at rear of oven is recommended for utilities.
8. Recommend 70% make-up air provided outside of the canopy through perf metal diffusers directed straight down — not at the oven; located at front, sides or both.
9. Room air diffusers must not be directed onto the oven and should be positioned a minimum of 3 feet (914 mm) from the perimeter of the hood to keep them from affecting the oven.

RESTRAINT REQUIREMENT – ALL OVEN(S) ON CASTERS**⚠ DANGER**

Legs or casters must be installed and the legs or casters must be screwed in completely to prevent bending. When casters are installed the mass of this unit will allow it to move uncontrolled on an inclined surface. These units, when permanently connected, must be tethered/secured to comply with all applicable codes, so that stress is not transmitted to the electrical supply conduit.

- The installation shall be made with a gas connector that complies with the Standard for Connectors for Movable Gas Appliances, ANSI Z21.69 latest version, and a quick disconnect device that complies with the Standard for Quick Disconnect Devices for Use With Gas Fuel, ANSI Z21.41 latest version.

IN CANADA: The installation shall be made with gas connectors that comply with Canadian Code CSA 6.16 latest version and quick disconnects complying to Canadian Code CSA 6.9 latest version.

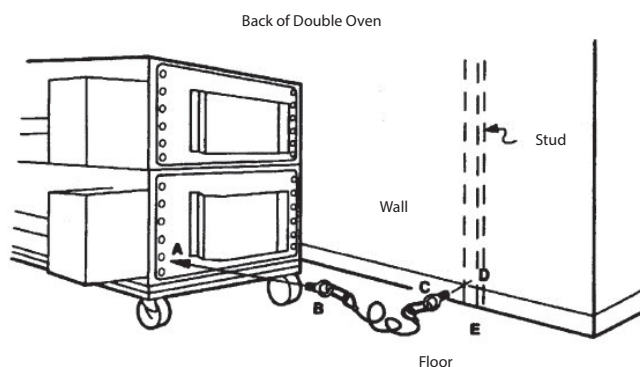
IN AUSTRALIA: To be installed in accordance with AS 5601-2004 and 4563-2004 Gas Installation Code.

- The installation of the restraint must limit the movement of the oven(s) without depending on the connector, the quick disconnect device or its associated piping to limit the oven movement.
- If the restraint must be disconnected during maintenance or cleaning, it must be reconnected after the oven has been returned to its originally installed position.

Procedure

- Screw lifting eye "B" of cable assembly to hole "A".
- Screw eye bolt "C" of cable assembly to stud in wall "D" or floor anchor "E".

NOTE: Installation point is the same for single or stacked ovens.

**Installation**

The instructions that follow are intended as a guide for preparing for the installation of the Impinger® Conveyor Ovens, Series 1400. First and foremost, each crate should be examined before signing the Bill of Lading to report any visible damage caused by the trucker in transit, and to account for the proper number of crates.

UNLOADING

When the oven arrives it should consist of:

- A crate containing oven body, conveyor, fingers, crumb pans, and pan stops. (Some models may have the conveyor packed separately.)
- A package containing the stand and top.

It is recommended that you have a material-handling device available to unload.

DO NOT LIFT EXCESSIVE WEIGHT!

IF THERE IS APPARENT DAMAGE:

UNITED STATES AND CANADA: Arrangements should be made to file a claim against the carrier, as Interstate Commerce Regulations require that the consignee initiate a claim.

ALL SHIPMENTS TO OTHER COUNTRIES: Freight terms will be developed and extended on an individual basis.

Proper and secure storage facilities should be arranged for the oven(s). If necessary, protect it from outdoor or damp conditions at all times before installation.

UNCRATING

When you have all the crates unloaded, open the crates and remove the plastic covers. Inspect at once for concealed damage. If anything appears to be damaged, contact the appropriate persons immediately to file a damage claim. After completing this inspection, finish unpacking the oven and all other components. Be sure to remove the cardboard from the plenum shroud. Move all components inside near the area where they will be assembled in the order in which they will be assembled.

THE OVEN WILL CLEAR THROUGH A 30" (762 mm) DOORWAY BY USING THE FOLLOWING PROCEDURE:

- Remove conveyor; see "Weekly Cleaning" section for instructions. (Some units may have conveyor packed separately.)
- Remove thumb screws and baffle from the left side of the oven.

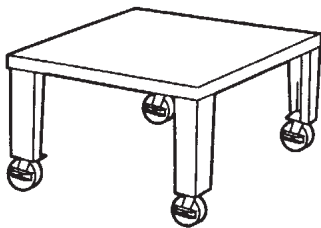
Notice

Do not lift the ovens using the control enclosure. Lift from the main oven cavity only. Damage may occur to the controls of the oven if lifted by the control enclosure.

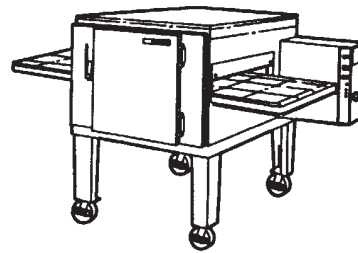
Uncrate the unit. Remove all finger components and the conveyor. The unit can then be placed on the left side (the side opposite to the control box) on a four wheel moving dolly, and it will clear a 30" (762 mm) doorway.

Manual Gas Valve Installation

When installing the gas valve that is supplied with the oven, it is our suggestion that an elbow be placed on the oven pipe first. This will allow the flexible hose to be attached in a downward direction, eliminating possible stress to the hose.

Stand and Finger Assembly**STAND ASSEMBLIES**

1. The stand is a 40" (1016 mm) x 49" (1245 mm) rectangle. Set it in place with a 40" side facing out. This will be the front of the oven. Using a carpenter's level, level all four (4) sides of the stand. To raise or lower the stand use the leg adjusters. Ovens on casters require a level floor. NOTE: The oven top is packed with oven stand. Remove top from stand before assembly.



2. Remove the oven from the dolly and set it on the stand. The control panel should be on the right rear as you face the oven. Be sure that the oven sets squarely on the stand and is fully seated. For a single oven, install top. For double, see step 3.



3. If you purchased a double stack oven, place the second oven on top of the first one. Be sure that it sets on squarely and is fully seated. The control panel goes on the right rear. Now install oven top.

STACKING INSTRUCTIONS

The model 1400 Series units may be mounted on either a 1000 (Impinger® I) or a 1200 (Impinger® III) with the addition of a flue cap, part #1465, to the bottom unit. Since the 1400 Series units are flueless, they may be mounted below an Impinger® I or III without a flue extension. The 1400 Series units are not approved to be mounted with, on, or below any equipment except as indicated above.

FINGER ASSEMBLIES

1. Before installing the retaining brackets in the oven(s), be sure all of the packing material is removed from the plenum shroud. Install the finger retaining brackets by placing them upside down and hooking the retaining pin as shown. (See **Figure 1.**)
2. Rotate the finger brackets until the notches in the brackets sit on the retaining pins. (See **Figure 2.**)
3. Assemble fingers as shown in **Figures 3 and 4.**
4. Insert columnating plate so the step goes under the lip of the finger housing and the plate lies flush with the housing side edge.
5. Install cover by sliding it on the small end. (See **Figure 5.**)

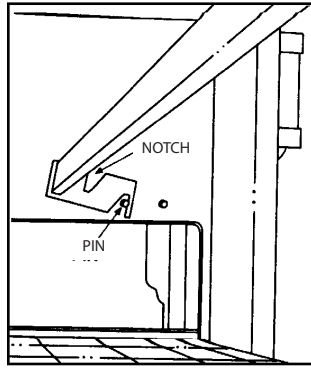


Figure 1

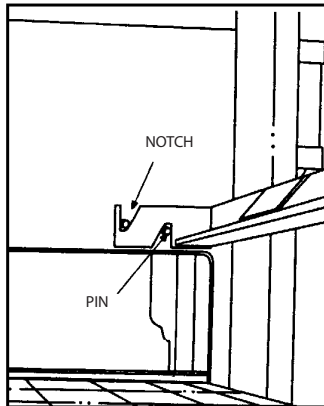


Figure 2

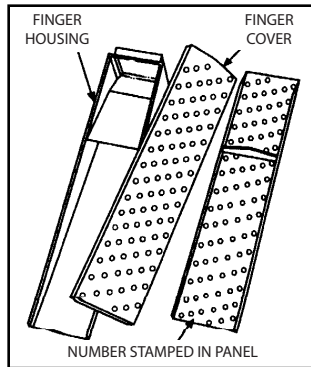


Figure 3

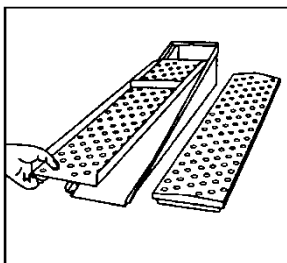


Figure 4

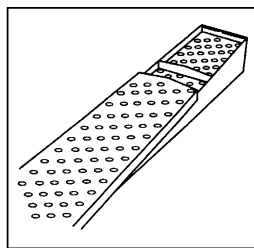


Figure 5

6. Insert assembled finger through door opening, starting with lower left. NOTE: The customer MUST tell you which position to place the assembled finger in for their application.
7. Install the finger in the oven by sliding it over the plenum flange and setting the front bracket. (See **Figures 6 and 7.**) BE SURE THAT THE FINGER SITS SQUARELY OVER THE PLENUM FLANGES AND THE HOLES POINT IN THE PROPER DIRECTION. Top fingers point down, bottom fingers point up. (See **Figure 8.**)
8. Repeat step 7 until all eight (8) fingers are installed.
9. Install conveyor and crumb pans before operation. See "Weekly Cleaning" in Section 4 for instructions.

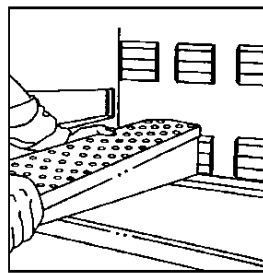


Figure 6

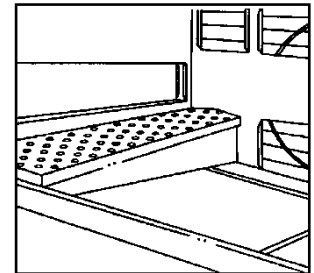


Figure 7

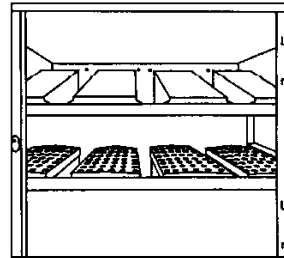
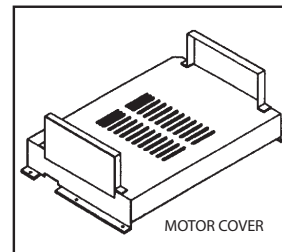
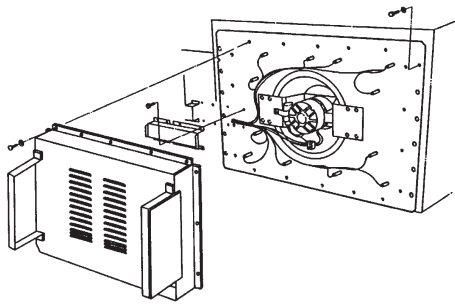


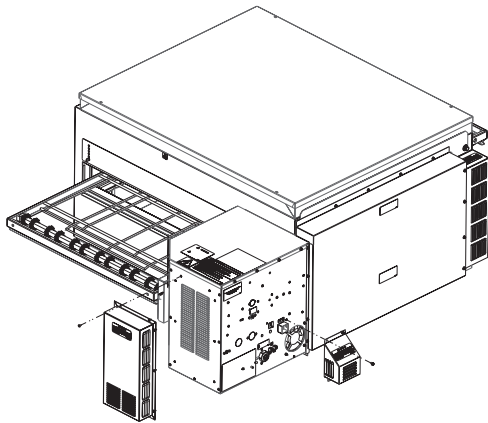
Figure 8

10. Attach Motor Cover as shown with bolts provided.





1400 Gas and 60 Hz Electric



50 Hz CE Electric

CE 50 HZ ELECTRIC

⚠ Warning

These covers **MUST** be installed on 50 Hz Electric ovens. It is illegal and potentially dangerous to operate a 50 Hz Electric oven (any electric oven containing the CE mark) without these covers in place. Not doing so may cause an accident.

Installation Checklist

⚠ DANGER

Check all wiring connections, including factory terminals, before operation. Connections can become loose during shipment and installation.

⚠ Warning

On completion of any installation or service work, test for gas leaks before returning the equipment into service. Never use matches, candles, or any other ignition source to check for leaks. If gas odors are detected, shut off the gas supply to the appliance at the main shut-off valve and immediately contact the local gas company or an authorized service agency for service.

DO NOT ATTEMPT TO OPERATE THE OVEN until connection of utility service and installation has been fully inspected (START-UP CHECKOUT) by a Factory Authorized Servicer (FAS) or a Lincoln Foodservice Products, LLC Service Representative. This service is required by Lincoln Foodservice Products, LLC in order to insure the oven(s) is properly installed and in working order. The warranty becomes effective upon verification of proper installation.

The warranty shall not apply if the oven is started up and operated prior to the "START-UP CHECKOUT" being performed by a Factory Authorized Servicer or a Lincoln Foodservice Products, LLC Service Representative.

CHECKLIST

- Are the correct clearances maintained?
- Does the ventilation system meet the requirements?
- Are the legs and caster securely fastened?
- Is the unit level?
- Has the restraint been installed to prevent uncontrolled movement?
- Have all electrical connections been made and the unit is grounded?
- Does each oven have a separate disconnect switch?
- Have all wiring connections including the factory connections been checked?

- Has the supply voltage been tested and verified it matches the name plate voltage?
- Has a shutoff valve been installed in the gas line ahead of the unit?
- Has the manifold gas pressure been set to match the rating on the nameplate?
- Have all gas connections been tested for leaks?
- Are the retaining brackets and finger assemblies correctly installed and positioned?
- Is the belt tension correct?
- Have access panels been installed and secured?
- Has a smoke candle test been performed to verify hood capture?
- Has the unit been tested for correct operation?
- Has the owner been instructed in the correct operation of the unit?
- Has this manual been given to the store owner?
- For CE Electric: Are the covers installed correctly, as required for CE approval, before operating this oven?

Start-Up Procedures

SMOKE CANDLE TEST – VENTILATION SYSTEM VERIFICATION

Performance will be evaluated during Start-up Checkout by conducting a smoke candle test. The hood must capture all smoke from the oven. This is required to assure proper performance of the oven and to eliminate additional service calls that occur when ambient temperatures are too high. In all cases, the ambient temperature around the oven must be less than 95°F/35°C when the oven is operating. In certain localities, other chemical or gaseous methods of detecting adequate capture will be the requirement to meet the local code authority.

Oven Setup for this Test:

- This test is to be done on the bottom oven of a multiple oven system, or a single oven.
- The conveyor must be off.
- The oven temperature must be set and operating at 550°F/288°C.

Test Procedure:

NOTE: Use Lincoln Smoke Candle #369361 (in Australia, an alternate method of coloring the air may be used).

1. Wear heat resistant gloves to prevent burns to your hands.
2. Put the smoke candle in a cake pan approximately 8 inches (200 mm) x 8 inches (200 mm) x 2 inches (50 mm) deep or equivalent.
3. Open the optional access window in the oven door, or insert candle through conveyor opening.
4. Light the fuse of the smoke candle and immediately put the pan and candle into the center of the oven cavity, on the conveyor belt. (Close the access window or door.)
5. Observe the smoke pattern coming out of the oven openings and the collection of this smoke by the ventilation system.
6. The ventilation system must capture all the smoke from the oven.

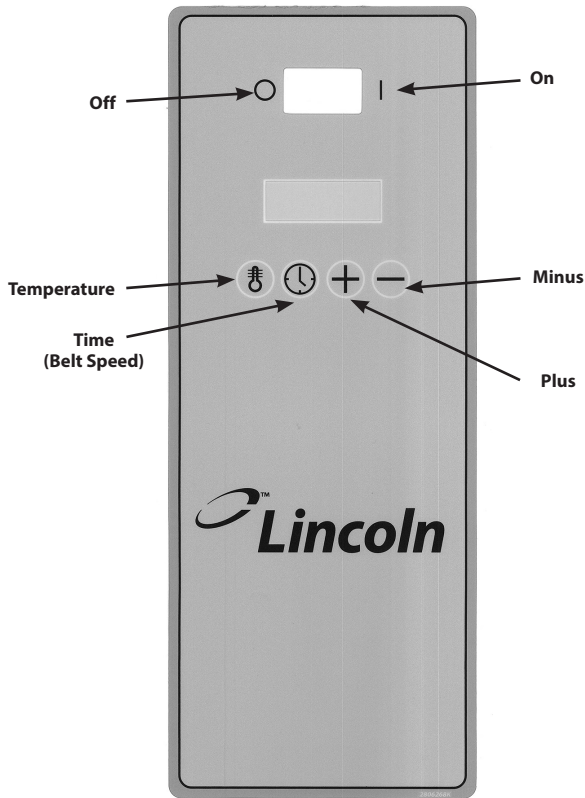
Caution

For gas 1400 ovens, use two pipe wrenches when connecting ovens to the gas line, to prevent a gas leak, and a possible safety hazard.

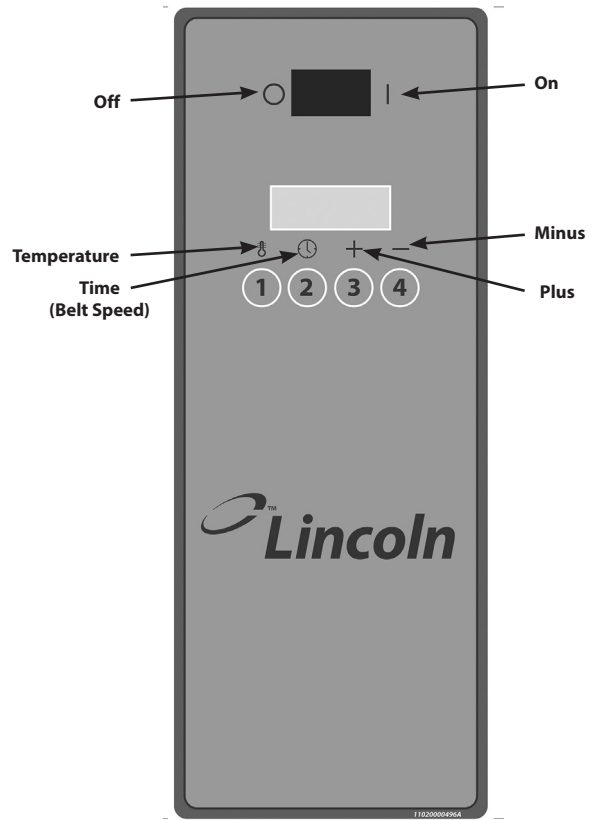
FINGER HOUSING BAFFLE PLATE ADJUSTMENTS

The finger housing has a baffle mounted inside to balance the air flow to the rear and front of the oven. If the product is cooking more or less in the rear of the oven than in the front, it is possible the finger housing baffle needs to be adjusted. If it is deemed necessary to adjust the air balancing baffle, be sure to adjust all eight finger housings to exactly the same opening. Determine if more air (heat) is required at front or rear of oven, then open or close off that air by bending the baffle in the proper direction. For additional information on how to adjust the Finger Housing Baffle Plate, contact the Lincoln Technical Service Department at 1-844-724-2273.

Section 3 Operation



If your overlay looks like this, instructions for preset operation do not apply.



If your overlay looks like this, instructions for preset operation begin on page 19.

Information on Use of Oven

The Impinger® oven functions by directing high velocity streams of heated air directly on the food products. Because air is the heat source, it is effective even on sensitive foods. Compared to conventional ovens and even convection ovens, the cooking time of products in the Impinger® Conveyor ovens can be as much as two to four times faster. Several factors may affect the cooking time of any special product such as: 1) oven temperature setting, 2) conveyor speed, 3) position of columnating plate in oven, and 4) adjustments of the 2 baffles on the conveyor openings.

We encourage you to experiment with the oven by trying different temperature settings and belt speeds. Also, try to control the cooking of the product by re-arranging the optional columnating plates.

⚠ DANGER

The on-site supervisor is responsible for ensuring that operators are made aware of the inherent dangers of operating this equipment.

⚠ Warning

Do not work around conveyor with long hair, loose clothing, or dangling jewelry. Getting caught in the belt could result in serious injury.

⚠ Warning

The front of the oven is hot during operation. Care should be used when working around the oven. When using the front access door, be sure to secure the access door in its proper location when done. Failure to secure the door could result in the door falling open and potential burns.

Operation and Programming (All Models)

INTRODUCTION – START-UP AND SHUT DOWN

For the operator, the panel has power up, run, and program menu modes. To start the oven, turn the power switch on. To shut down the oven, turn the power switch off.

FRONT PANEL LAYOUT

The front panel contains four (4) momentary push-buttons: TEMP, TIME, PLUS & MINUS. There is a 2 line x 16 character VFD display.

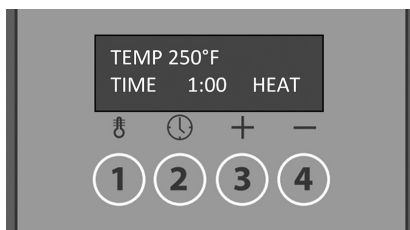
TEMPERATURE SET POINTS

For Digital Advantage ovens, there is one set point. To enter the set point mode, press the TIME and TEMP buttons together and hold for 5 seconds. Pressing the TEMP button, the display will show the current setting. Pressing the PLUS or MINUS buttons will raise or lower the temperature to the desired setting. In the Fahrenheit, F mode, the temperature is adjusted in 5 degree increments. When in Centigrade, C mode, the temperature adjustment will be in 1 degree increments. Press and hold the PLUS or MINUS buttons to allow settings to “roll” at a much faster rate. When the desired temperature is indicated, release all buttons. After 5 seconds, the selected setpoints will be stored and remain in memory.

TIME SET POINTS

There is one set point for the conveyor speed. Enter the set point mode as mentioned above. If you press the TIME button, the display will show the current speed setting. Pressing the PLUS or MINUS buttons will raise or lower the desired speed setting. The speed can be set as follows:

- 1:00 to 9:55 in 5 second increments
- 10:00 to 12:45 in 15 second increments
- 13:00 to 19:30 in 30 second increments
- 20:00 to 30:00 in 1 minute increments



JUMPING BETWEEN MENUS

Pressing the TIME button while in the TEMP setting mode (and vice versa) will cause the menu selection to jump over to that mode.

DIAGNOSTIC MESSAGES

The Digital Advantage ovens have diagnostic messages within the control. In the unexpected event that there is a failure in the oven operation, the following messages will appear in the control.

Open Probe

This occurs when there is no temperature being sent to the controller from the baking chamber.

Belt Jam

This occurs when the conveyor motor fails.

REVERSING SWITCH

The oven has a belt direction-reversing switch located on the back of the control box.

Functions

THERMAL CUT-OUT SWITCH

The 3240 Electric includes a “safety thermal cut-out switch” for your protection. This safety related device is designed to ensure that the Impinger I unit will not overheat and damage the unit. In the unlikely event that the Impinger I unit would exceed the specified operating temperature range, the “safety thermal cut-out switch” will activate, thus blocking power to the Impinger I unit and causing it to turn off.

Caution

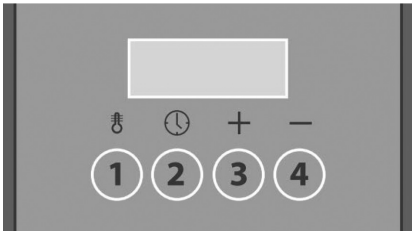
In order to avoid a hazard due to inadvertent resetting of the thermal cutout, this appliance must not be supplied through an external switching device such as a timer or connected to a circuit that is regularly switched on and off by the utility.

For models without 1-2-3-4, continue to page 22, “To Change Conveyor Speed.”

Preset Operation (Models with 1-2-3-4)

The oven interface has four control keys and a 16x2 Vacuum Fluorescent display.

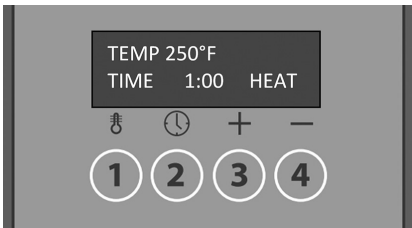
The four function control keys are TEMP, TIME, PLUS, and MINUS and are located above the circled numbers 1, 2, 3, and 4.



Each key will have the additional function of being a preset.

SETTING TEMPERATURE AND TIME

During normal operation the display indicates the operational temperature (TEMP) and TIME set points or PRESET (1 to 4) and appears as follows:



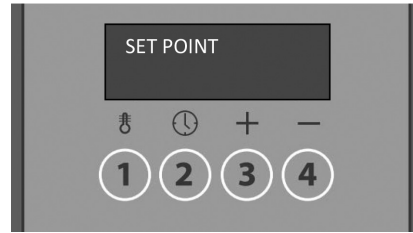
or



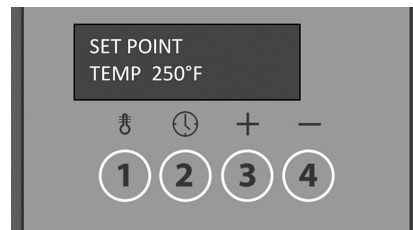
Before a preset key (1-4) is programmed, the oven needs to be set at the desired time and temperature for that preset.

NOTE: Change the time and temperature before programming a preset.

1. Press and hold the TEMP and TIME keys for 2-3 seconds until SET POINT is displayed. Release keys. The control is now in an EDIT mode.



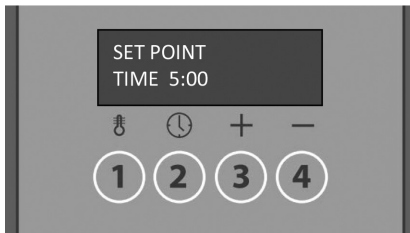
2. To change temperature set point:
 - A. Press and release TEMP key, so the following is displayed.



- B. Press PLUS or MINUS key until the desired SET POINT TEMP is displayed.

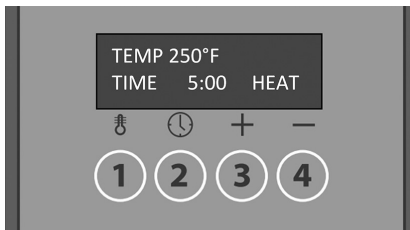
3. To change belt time set point:

- A. Press TIME key until the following is displayed. Release key.



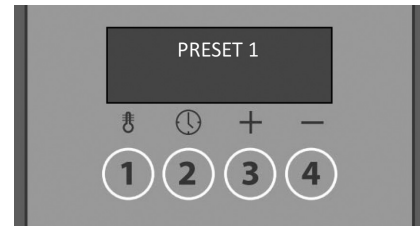
- B. Press PLUS or MINUS key until the desired belt SET POINT TIME is displayed.

After five seconds, without a key press, the control will begin operating the displayed temperature and time.

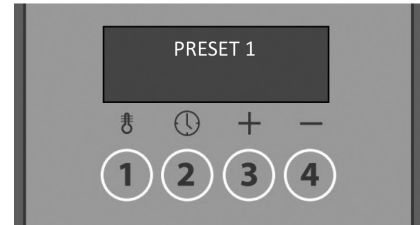
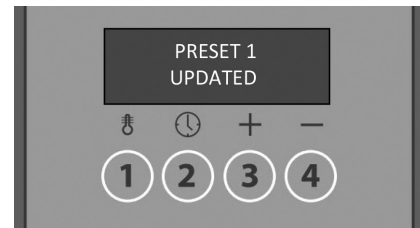


PROGRAMMING DISPLAYED TEMPERATURE AND TIME AS A PRESET

1. Press and hold the desired control key to be used for the preset (for example, 1).
2. After four seconds, the display will change from the temperature and time display or PRESET (1-4) to PRESET 1. **Do not release key.**



3. Continue to hold another 11 seconds (15 seconds total) until PRESET 1 UPDATED is displayed. Release key. UPDATED remains displayed for 3 seconds.



The selected temperature and time (ex: 400F and 5:00) has been confirmed as Preset 1.

SELECTING A PRESET

1. Press and hold the desired control key (for example, 1). After four seconds, the display will change from the temperature and time display or PRESET (1-4) to PRESET 1.



2. Release key immediately. Preset 1 is now active and PRESET 1 ACTIVATED is displayed for 3 seconds and then reverts back to PRESET 1 as shown on the following illustrations:



The control will now operate with the time and temperature settings that were stored into PRESET 1.

Each of the PRESET keys (1 to 4) are set and selected in the same manner.

To Change Conveyor Speed (When configured with split belt)

1. When the oven is turned on, all belts will automatically begin running. For conveyor speed adjustment, press and hold the TIME key until the desired conveyor is shown on the display.
2. Press the PLUS or MINUS key until the desired belt SET POINT TIME is displayed. While pressing the button, the display will show which belt is being adjusted. You will need to continue holding the button for approximately four seconds.
3. The display will show "Please Release" when it is time to let go of the button. The belt speed will be set.
4. To change the second belt speed, press and hold the same button that you did before.

Oven Shut-Down Instructions

1. Turn the ON/OFF switch to the "OFF" position. The oven will now shut down and cease operation.

Cooking Guidance

1. Allow oven heat to stabilize for 30 minutes minimum:
 - At start from OFF
 - After each preset change
 - After any cook temperature change

Section 4 Maintenance

Preventive Maintenance

Although this oven has been designed to be as trouble-free as possible, periodic preventive maintenance is essential to maintain peak performance. It is necessary to keep the motors, fans, and electronic controls free of dirt, dust and debris to ensure proper cooling. Overheating is detrimental to the life of all components mentioned. The periodic intervals for preventive cleaning may vary greatly depending on the environment in which the oven is operating. You must discuss the need for preventive maintenance with your Factory Authorized Servicer (FAS) to establish a proper program. If there are any questions that the service agency cannot answer, please contact the KitchenCare Technical Service Department at (844) 724-2273.

⚠ DANGER

Disconnect power supply before servicing or cleaning this unit. Safeguard power so it cannot be accidentally restored. Failure to do so could result in serious injury. There is more than one power supply connection point when ovens are stacked, so make sure that all switches are in "OFF" position before cleaning or maintenance.

⚠ DANGER

It is the responsibility of the equipment owner to perform a Personal Protective Equipment Hazard Assessment to ensure adequate protection during maintenance procedures.

To maintain maximum efficiency of the oven, all ventilation louvers on the oven must be cleaned regularly. Oven use and type of product will actually determine the frequency of cleaning. The conveyor drive chain must be checked during the weekly cleaning cycle to see if it has become loose. Loose chain operation will DAMAGE the conveyor drive motor.

If the oven fails to operate, check the circuit breaker to be sure it is turned on. Also, check the fuses on the control panel to be sure that they are good before you call the Factory Authorized Servicer (FAS).

⚠ Warning

Allow heated equipment to cool down before attempting to clean, service or move. Unit must be cool to touch and disconnected from power source.

Notice

Do not use caustic cleaners on any part of the oven or oven cavity. Use mild, non abrasive soaps or detergents, applied with a sponge or soft cloth. Never use sharp implements or harsh abrasives on any part of the oven.

Daily Cleaning

1. Clean exterior surfaces of the oven by wiping it down with a mild detergent and clean water, or a commercial stainless cleaner.
2. Clean crumb pans and guards by washing with a mild detergent solution and rinsing with clean water.
3. Clean the interior by sweeping up all loose particles, then wash with a mild detergent solution and rinse with clean water.
4. Clean the conveyor belt by wiping with a clean cloth or use a scrub brush (Lincoln Catalog Number 11000115638).

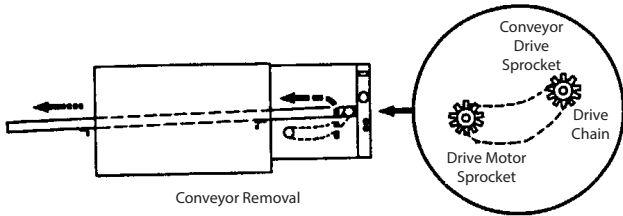
On exterior of oven, deposits of baked-on splatter, oil, grease, or light discoloration may be removed with any of several commercial cleaners. Consult with your local supplier.

⚠ Warning

When using cleaning solutions, be sure they meet local and national health standards.

Weekly Cleaning

1. Remove conveyor chain guard. Remove crumb pans and take to the sink for cleaning.
2. Lift right end of conveyor and push in approximately 3" (76 mm). Remove drive chain.

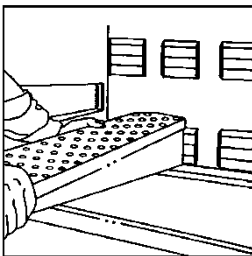


3. Pull conveyor out the right end. Place on table or work surface.
4. Inspect the chain for signs for wear. Replace if necessary.
5. Verify the drive sprocket on the conveyor motor is secure. Tighten if required.
6. Check conveyor motor fasteners to verify they are secure. Tighten if required.
7. With the conveyor removed, lift off the hinges and remove the door.

! Caution

The door is very heavy and should be removed by more than one person. When reinstalling the door, failure to secure the door in the proper manner could result in the door falling and potential injury.

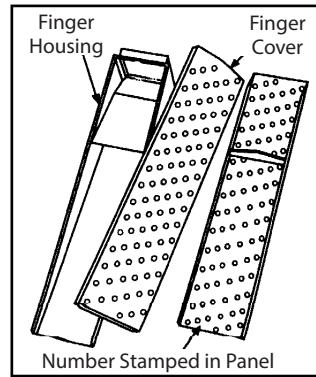
8. Remove the upper and lower finger assemblies and take to the sink. Note any particular placement of fingers that you may have, such as fully closed, half-closed, or fully open, columnating plates.



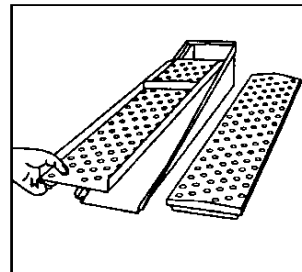
Notice

Finger components **MUST** be placed back in the correct positions. Failure to do so will cause the oven to not cook correctly.

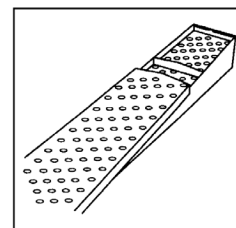
9. Disassemble fingers for cleaning.



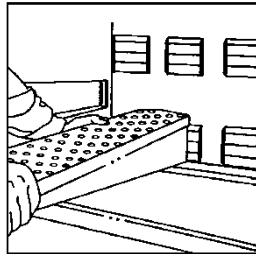
10. Clean fingers and crumb trays with a mild detergent solution, followed by a potable water rinse.
11. Clean the interior by sweeping up all loose particles, then wash with a mild detergent solution and rinse with clean water.
12. Clean the conveyor belt by wiping with a clean cloth or use a scrub brush (Lincoln Catalog Number 11000115638).
13. Reassemble fingers. Insert columnating plate so the step goes under the lip of the finger housing and the plate lies flush with the housing side edge.



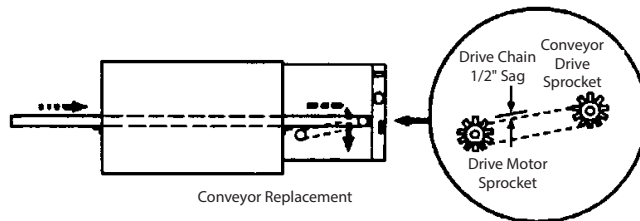
14. Install cover by sliding it on the small end.



15. Install top and bottom fingers in the oven by sliding them over the plenum flange and setting on the front bracket. **BE SURE THAT THE FINGER SETS SQUARELY OVER THE PLENUM FLANGES AND THE HOLES POINT IN THE PROPER DIRECTION.** Top fingers point down. Install in the same position they were removed from.



16. Reinstall the conveyor. Insert the conveyor through the opening in the right side. Sprocket will be to the right side of the conveyor.



17. Slide conveyor through the oven chamber until the locking bar on the drive end of the conveyor is approximately 2" – 3" (50 – 76 mm) into the oven chamber. Install drive chain by placing it over the drive sprocket and placing it over the conveyor sprocket.
18. Lift conveyor just enough to allow you to pull the conveyor toward you until the locking bar is outside of the oven cavity. At the same time, push the conveyor downward so that the bar locks on the outside of the oven wall.
19. Inspect sprocket alignment and adjust if necessary.
20. Reinstall conveyor crumb pans and chain guard cover.
21. Reapply power.
22. Clean any dirt from the louvers, on the control box cooling fan, and openings on the rear wall (cover).

Section 5 Troubleshooting

Before Calling for Service Checklist

Problem	Cause	Correction
Doesn't operate	Breaker tripped	Reset breaker
	Manual gas valve off	Put valve in ON position
	Fuses not good	Replace fuses on the back of oven
	Safety thermal cut-out trips (Electric ovens)	Reset power, call for service if it repeats
Uneven heating	Fingers incorrectly assembled	Reassemble correctly
	Fingers in wrong location	Place fingers in correct location
	Oven temperature not stabilized	Allow oven to stabilize for 30 minutes minimum after any change to cook temperature
Over or under cooked	Incorrect temperature setting	Adjust temperature
	Incorrect conveyor speed	Adjust conveyor speed
	Defective thermostat	Call for service
Heat and cooking odors spill into room	Ventilation/exhaust hood is off	Energize the ventilation system
	Ventilation/exhaust filters require cleaning	Clean all filters
	Defective ventilation/exhaust system	Call for service
Conveyor does not operate	Incorrectly installed	Remove and reinstall
	Drive sprocket is loose	Tighten drive sprocket
	Drive chain loose or disconnected	Verify installation is correct - Call for service
	Conveyor has stretched from use	Call for service

Thermal Cut-Out Switch for Control Box Components

The Electric 1400 ovens (both 50 Hz and 60 Hz) include a "safety thermal cut-out switch" for your protection. This safety related device is designed to ensure that the unit will not overheat and damage the oven. In the unlikely event that the oven would exceed the specified operating temperature range, the "safety thermal cut-out switch" will activate, thus blocking power to the unit and causing it to turn off. The Gas 1400 ovens (both 50 Hz and 60 Hz) are not required to have this safety feature.

⚠ Warning

In order to avoid a hazard due to inadvertent resetting of the thermal cutout, this appliance must not be supplied through an external switching device, such as a timer or connected to a circuit that is regularly switched on and off by the utility.

LIMITED WARRANTY, TERMS AND CONDITIONS

LINCOLN EQUIPMENT LIMITED WARRANTY

Lincoln Foodservice ("Lincoln") warrants this product to be free from defects in material and workmanship for a period of:

- CTI (analog & digital), *Impinger II*, *Impinger I*, Low Profile ovens are one (1) year from the date of purchase.
- 3200 Series Ovens (3240, 3255 & 3270) two (2) years from the date of purchase.

During the warranty period, Lincoln shall, at Lincoln's option, repair, or replace parts determined by Lincoln to be defective in material or workmanship, and with respect to services, shall re-perform any defective portion of said services. The foregoing shall be the sole obligation of Lincoln under this Limited Warranty with respect to the equipment, products, and services. With respect to equipment, materials, parts and accessories manufactured by others, Lincoln's sole obligation shall be to use reasonable efforts to obtain the full benefit of the manufacturer's warranties. Lincoln shall have no liability, whether in contract, tort, negligence, or otherwise, with respect to non-Lincoln manufactured products.

WHO IS COVERED

This Limited Warranty is available only to the original purchaser of the product and is not transferable.

EXCLUSIONS FROM COVERAGE

- Repair or replacement of parts required because of misuse, improper care or storage, negligence, alteration, accident, use of incompatible supplies or lack of specified maintenance shall be excluded.
- Normal maintenance items, including but not limited to, light bulbs, fuses, gaskets, O-rings, interior and exterior finishes, lubrication, conveyor belt, motor bushes, broken glass, etc. adjustments and calibrations for temperatures, speed and air flows
- Failures caused by improper or erratic voltages
- Improper or unauthorized repair
- Changes in adjustment and calibration after ninety (90) days from equipment installation date
- This Limited Warranty will not apply to any parts subject to damage beyond the control of Lincoln, or to equipment which has been subject to alteration, misuse or improper installation, accidents, damage in shipment, fire, floods, power changes, other hazards or acts of God that are beyond the control of Lincoln.
- This Limited Warranty does not apply, and shall not cover any products or equipment manufactured or sold by Lincoln when such products or commercial equipment is installed or used in a residential or noncommercial application. Installations not within the applicable building or fire codes render this Limited Warranty and any responsibility or obligations associated therein null and void. This includes any damage, costs, or legal actions resulting from the installation of any Lincoln commercial cooking equipment in a noncommercial application or installation, where the equipment is being used for applications other than those approved for by Lincoln.

LIMITATIONS OF LIABILITY

The preceding paragraphs set forth the exclusive remedy for all claims based on failure of, or defect in, products or services sold hereunder, whether the failure or defect arises before or during the warranty period, and whether a claim, however instituted, is based on contract, indemnity, warranty, tort (including negligence), strict liability, implied by statute, common-law or otherwise, and Lincoln, its servants and agents shall not be liable for any claims for personal injuries, incidental or consequential damages or loss, howsoever caused. Upon the expiration of the warranty period, all such liability shall terminate. THE FOREGOING WARRANTIES ARE EXCLUSIVE AND IN LIEU OF ALL OTHER WARRANTIES, WHETHER WRITTEN, ORAL, IMPLIED OR STATUTORY. NO IMPLIED WARRANTY OF MERCHANTABILITY OR FITNESS FOR PARTICULAR PURPOSE SHALL APPLY. LINCOLN DOES NOT WARRANT ANY PRODUCTS OR SERVICES OF OTHERS.

REMEDIES

The liability of Lincoln for breach of any warranty obligation hereunder is limited to: (i) the repair or replacement of the equipment on which the liability is based, or with respect to services, re-performance of the services; or (ii) at Lincoln's option, the refund of the amount paid for said equipment or services.

Any breach by Lincoln with respect to any items or unit of equipment or services shall be deemed a breach with respect to that item or unit or service only.

WARRANTY CLAIM PROCEDURE

- Immediately advise the Dealer or Lincoln's Authorized Service Agent of the equipment serial number and the nature of the problem.
- Verify the problem is a factory responsibility. Improper installation and misuse of equipment are not covered under this Limited Warranty.
- Cooperate with the Service Agency so that warranty service may be completed during normal working hours.
- Travel Time not to exceed two hours and mileage not to exceed one hundred (100) miles.

GOVERNING LAW

Limited Warranty shall be governed by the laws of the state of Delaware, USA, excluding their conflicts of law principles. The United Nations Convention on Contracts for the International Sale of Goods is hereby excluded in its entirety from application to this Limited Warranty.

RETURN POLICY

1. All returned product must have an RMA number from Customer Service prior to sending the product back.
2. The product must be standard product, still crated and within 90 days from date invoiced. Standard products are defined as product configurations that are saleable to the general market. Custom Products are product configurations that are unique to a specific customer and cannot be sold to other customers. Obsolete/discontinued products cannot be returned.
3. If return is approved for standard product, the standard restock charge is 30% or 20% if a replacement order is made.
4. Custom product is **non-returnable**.
5. Applicable freight charges and re-crating will be the customer's responsibility.
6. RMA number must be clearly written on all shipping paperwork to factory/warehouse.
7. RMA will be valid for 45 days from date of issue.

INTERNATIONAL SALES POLICY

International sales orders submitted by US dealers are subject to the following up charge:

- *Impinger II*, *Impinger I*, Low Profile, 3200 Series ovens - **20%**.
- Countertop Oven (CTI), 1300 & 2500 Series ovens - **15%**.

All shipments FOB Covington, TN 38019

Specifications subject to change without notice.

**WELBILT®**
Bringing innovation to the tableWWW.WELBILT.COM

Welbilt provides the world's top chefs, and premier chain operators or growing independents with industry leading equipment and solutions. Our cutting-edge designs and lean manufacturing tactics are powered by deep knowledge, operator insights, and culinary expertise. All of our products are backed by KitchenCare® – our aftermarket, repair, and parts service.

▶ CLEVELAND
▶ CONVOTHERM®

▶ DELFIELD®
▶ FITKITCHEN™

▶ FRYMASTER®
▶ GARLAND

▶ KOLPAK®
▶ LINCOLN

▶ MANITOWOC®
▶ MERCO®

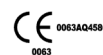
▶ MERRYCHEF®
▶ MULTIPLEX®

Four convoyeur Impinger®

Série 1400

Manuel d'installation, de fonctionnement et d'entretien

POUR ALIMENTATION 60 HZ



Traduction des instructions
originales

Avis de sécurité

DÉFINITIONS

⚠ DANGER

Indique une situation dangereuse qui, si elle n'est pas évitée, entraînera la mort ou des blessures graves. Cela s'applique aux situations les plus extrêmes.

⚠ Avertissement

Indique une situation dangereuse qui, si elle n'est pas évitée, peut entraîner la mort ou des blessures graves.

⚠ Attention

Indique une situation dangereuse qui, si elle n'est pas évitée, peut entraîner des blessures légères à modérées.

Avis

Indique une information considérée comme étant importante, mais sans rapport avec un danger (message concernant des dégâts matériels, par ex.).

REMARQUE : Indique une information supplémentaire utile concernant la procédure exécutée.

À lire avant de poursuivre :

⚠ DANGER

Ne pas installer ni faire fonctionner un appareil ayant fait l'objet d'un emploi détourné ou abusif, de négligence, de dommages ou d'altérations/modifications par rapport aux caractéristiques initiales de fabrication.

Important

Lire ces instructions d'utilisation avec attention afin de se familiariser avec l'appareil avant de le raccorder à sa bouteille de gaz. Conserver ces instructions pour toute référence ultérieure.

⚠ Avertissement

Une installation, un ajustement, une modification, une réparation ou en entretien incorrects peuvent causer des dommages matériels, blessures ou la mort. Lire attentivement les directives d'installation, d'opération et d'entretien avant d'installer ou de réparer cet équipement.

⚠ Avertissement

Les représentants de service après-vente autorisés ont pour obligation de suivre des procédures de sécurité normalisées, notamment, mais sans restriction, les réglementations locales et nationales relatives aux procédures de séparation, de verrouillage et d'étiquetage des pour les procédures de déconnexion, de verrouillage et d'étiquetage pour tous les réseaux, l'électricité, le gaz, l'eau et la vapeur.

⚠ Avertissement

Cet appareil n'a pas été conçu pour être utilisé par des personnes (y compris des enfants) aux capacités physiques, sensorielles ou mentales réduites ou n'ayant pas une expérience ou des connaissances suffisantes, sauf si elles sont supervisées par une personne responsable de leur sécurité. Ne pas permettre à des enfants de jouer avec cet appareil.

⚠ Avertissement

Cet appareil est destiné à une utilisation à l'intérieur uniquement. Ne pas l'installer ni l'utiliser à l'extérieur.

⚠ Avertissement

Ne pas utiliser d'appareils ou accessoires électriques autres que ceux fournis par le fabricant.

POUR VOTRE SÉCURITÉ

Ne pas stocker ni utiliser d'essence ou d'autres vapeurs ou liquides inflammables à proximité de cet appareil ou de tout autre appareil.

⚠ Avertissement

Ne jamais utiliser de jet d'eau sous haute pression pour le nettoyage ni arroser ou inonder l'intérieur ou l'extérieur des appareils avec de l'eau. Ne pas utiliser d'outil de nettoyage électrique, de laine d'acier, de racloir ni de brosse métallique sur les surfaces peintes ou en acier inoxydable.

⚠ Attention

Les travaux d'entretien et de maintenance autres que le nettoyage tel que décrit dans ce manuel doivent être confiés à du personnel d'entretien autorisé.

REMARQUE : L'installation, le soin et l'entretien sont essentiels à un rendement maximal et un fonctionnement sans problème de l'appareil. Visitez notre site Web à www.mtwkitchencare.com pour trouver des mises à jour manuelles, des traductions ou les coordonnées de services de réparation dans votre région.

Table des matières

Avis de sécurité.....	30
Définitions.....	30
Section 1	
Informations générales	
Responsabilité de l'acheteur	33
Autres exigences	33
Légende du numéro de modèle	34
Section 2	
Installation	
Dimensions extérieures – 1400	35
Caractéristiques – Modèles à chauffage au gaz.....	36
Caractéristiques – Modèles à chauffage électrique	37
Recommandations pour la hotte de ventilation.....	38
Conditions d'installation requises	39
Exigences du code du gaz.....	39
Exigences du code d'électricité.....	39
Exigences de dégagement	40
Exigences de ventilation.....	40
Exigence de retenue – TOUS les fours sur roulettes	41
Installation.....	41
Déchargement	41
Déballage	41
Installation du robinet de gaz manuel	42
Assemblage du support et des doigts	42
Assemblage du support.....	42
Instructions de superposition.....	42
Assemblage des doigts	43
Electrique CE 50 Hz.....	44
Liste de vérification de l'installation	44
Liste de vérification.....	44
Procédures de démarrage	45
Test de fumée à la chandelle – Vérification du système de ventilation	45
Ajustements de la plaque de chicane du boîtier de doigt.....	45

Section 3

Fonctionnement

Information sur l'utilisation du four	46
Utilisation et programmation (tous modèles)	47
Introduction – Mise en marche et à l'arrêt	47
Configuration du panneau frontal	47
Températures de consigne	47
Temps de consigne	47
Passer d'un menu à l'autre	47
Messages de diagnostic	47
Commutateur d'inversion	47
Fonctions	47
Interrupteur de coupure thermique	47
Fonctionnement pré réglé (modèles avec 1-2-3-4)	48
Régler la température et le temps	48
Programmer la température et le temps affichés en tant que pré réglage	49
Sélectionner un pré réglage	50
Changer la vitesse du convoyeur	50
Mise à l'arrêt du four	50
Conseils pour la cuisson	50

Section 4

Entretien

Entretien préventif	51
Nettoyage quotidien	51
Nettoyage hebdomadaire	52

Section 5

Dépannage

Liste de vérification avant d'appeler le service technique	54
Interrupteur de coupure thermique pour les composants du boîtier de commande	54

Section 1

Informations générales

Responsabilité de l'acheteur

Les responsabilités suivantes reviennent à l'acheteur :

1. Les raccordements aux réseaux de gaz et d'électricité pour le four doivent être installés sur les lieux conformément aux spécifications du fabricant.
2. Le four doit être déchargé, déballé et installé au bon endroit; conformément au présent manuel d'installation et d'opération.
3. Les branchements aux réseaux de gaz et d'électricité doivent être effectués par un installateur qualifié choisi par l'acheteur. Pour l'installation dans l'État du Massachusetts : L'installation de ce four doit être effectuée par un plombier licencié ou un monteur d'installations au gaz. Les branchements doivent être conformes aux exigences du code en vigueur. Voir l'information particulière dans la section « Conditions d'installation requises ».
4. Pour organiser une inspection et une vérification de fonctionnement par un service d'entretien agréé par le fabricant comme décrit ci-dessous :

Ne pas tenter de faire fonctionner le four tant que le branchement au réseau électrique n'a pas été entièrement inspecté par un service d'entretien agréé ou un représentant de service après-vente Lincoln Foodservice Products, LLC. Ce service est requis par Lincoln Foodservice Products, LLC afin d'assister l'acheteur dans la bonne mise en marche du four sur les lieux. Veiller à indiquer les détails spécifiques sur la garantie et à vérifier que les raccordements sont effectués aux bons réseaux d'alimentation.

La garantie ne s'applique pas si le ou les fours sont mis en marche et utilisés avant que les réseaux d'alimentation et le four aient été inspectés et vérifiés par un service d'entretien agréé ou un représentant de service après-vente Lincoln Foodservice Products, LLC.

Avis

L'entretien et le nettoyage général sont importants pour le bon fonctionnement du four. Le non-respect des directives figurant dans ce manuel peut entraîner une panne de composant non couverte par la garantie.

AUTRES EXIGENCES

- Obtenir du fournisseur de gaz et afficher dans un endroit visible les directives à suivre si des odeurs de gaz sont détectées.
- Le four doit être installé sous une hotte de ventilation afin de procurer une alimentation en air et une ventilation suffisantes.
- Des dégagements minimaux doivent être maintenus par rapport à tous les murs et matériaux combustibles. Voir les détails dans la section « Exigences de dégagement ».
- Garder le four libre et dégagé de tout matériau combustible.
- Prévoir un dégagement suffisant sur le côté droit du four pour les ouvertures d'air vers la chambre de contrôle de combustion.
- Ne pas obstruer les trous de ventilation dans les tableaux de commande, car ils procurent l'air de combustion pour le brûleur et l'air de refroidissement pour les commandes.
- Le four doit être utilisé uniquement avec le type de gaz et/ou d'électricité indiqué sur la plaque signalétique.
- Le brûleur électrique ne fonctionne pas et le gaz ne circule pas dans le brûleur sans courant électrique.
- Conserver ce manuel pour toute référence ultérieure.
- Le schéma électrique se trouve sous les couvercles du boîtier de commande.

EN AUSTRALIE : se reporter à la norme AS 5601. Cette norme spécifie les exigences en matière de tuyauterie, cheminées, ventilation et installation d'appareil associés à l'utilisation de ou destiné à l'utilisation de gaz combustible. Les exigences AS 5601 doivent être utilisées en conjonction avec, mais n'ont pas préséance sur aucune réglementation en vigueur dans la région considérée.

EN AFRIQUE DU SUD : L'installation doit être effectuée uniquement par un installateur enregistré et l'installation doit être conforme aux exigences de SANS 10087-1 ou SANS 827, selon le cas.

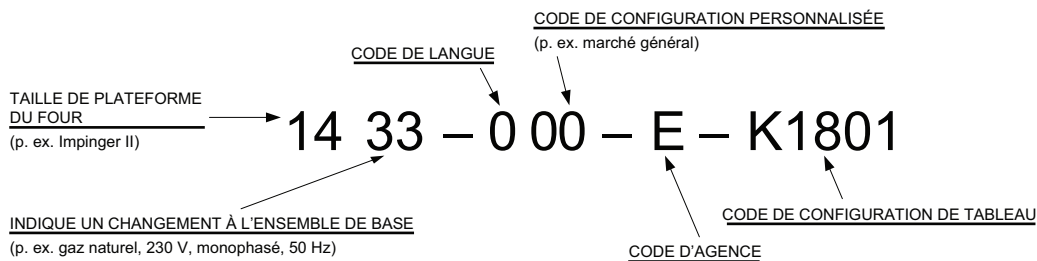
Chaque four nécessite un circuit d'alimentation séparé et son propre neutre.

Conversion de la pression du gaz

Pouces de colonne d'eau	kPa	mbar	Millimètres de colonne d'eau
3,5	0,87	8,70	88,9
4,5	1,12	11,2	114,3
7	1,74	17,40	177,8
8	1,99	19,90	203,2
9,2	2,29	22,90	233,7
10	2,48	24,87	254,0
10,5	2,61	26,11	266,7
11	2,73	27,36	279,4
14	3,48	34,81	355,6
14,5	3,61	36,05	368,3

Légende du numéro de modèle

Exemple : 1433-B00-E-K1801



Code de langue

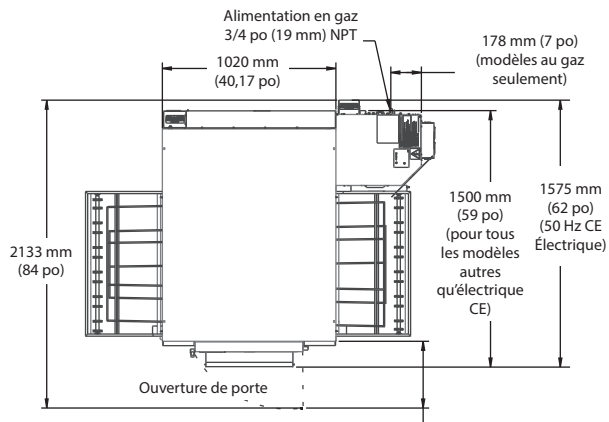
Code	Langue	Pays
0	Anglais	Dom. et int. par défaut
B	Français	CE – France/Luxembourg
C	Allemand	CE – Allemagne
D	Italien	CE – Italie
E	Espagnol	CE – Espagne
F	Anglais	CE – R.-U./Inde/Afrique/Hongrie
G	Espagnol	Mexique/Amérique latine
H	Portugais	CE – Portugal
I	Non utilisé	---
J	Danois	CE – Danemark
K	Hollandais et français	CE – Belgique
L	Néerlandais	CE – Pays-Bas
M	Grec	CE – Grèce
N	Finlandais	CE – Finlande
O	Interdit	---
P	Norvégien	CE – Norvège
Q	Anglais	Japon
R	Suédois	CE – Suède
S	Anglais	Australie
T	Mandarin	Chine
U	Interdit	---
V	Anglais	Côte du Pacifique/Corée
W	Anglais	Moyen Orient/Afrique
X	Non utilisé	---
Y	Non utilisé	---
Z	Non utilisé	---

Code d'agence

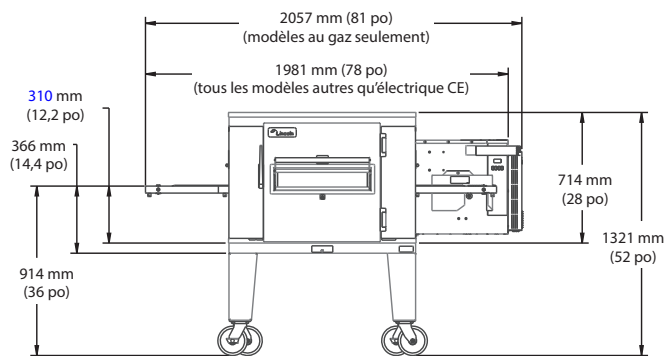
Code	Agence
N	Aucune agence
E	Conformité combinée E.C. et RoHS
U	Conformité É.-U. et Canada seulement
A	Four de type Advantage
B	Australie AGA

Section 2 Installation

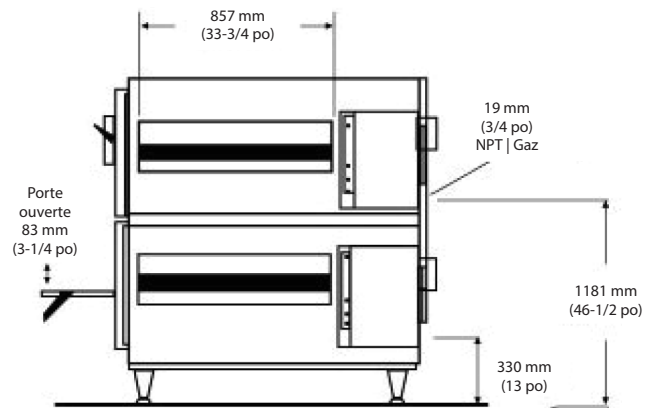
Dimensions extérieures – 1400



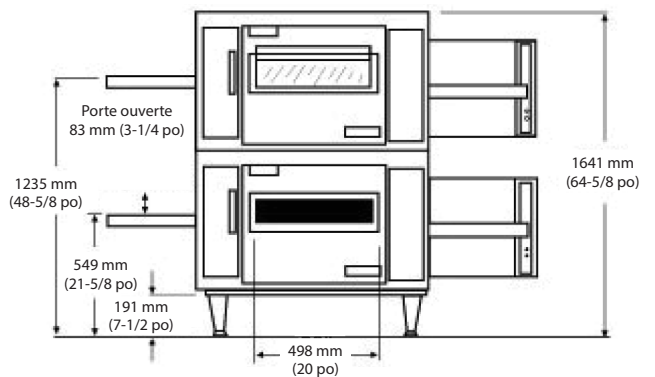
1400 Vue de dessus, toutes configurations de superposition



1400 Support haut, simple, roulettes de 15 cm, vue de face



1400 Double, roulettes de 10 cm, vue de droite



Illustré avec porte d'accès en verre ouverte

1400 Double, roulettes de 10 cm, vue de face

Caractéristiques – Modèles à chauffage au gaz

Alimentation électrique - Tous les modèles à chauffage au gaz

	Tension (c.a.)	Phases
Fours 60 Hz	120	1
Fours 50 Hz	230/240	1

Avis

Ne pas installer ce ou ces fours dans un endroit où la température ambiante dépasse 35 °C/95 °F. Cela peut endommager l'appareil.

Généralités – Fours au gaz 1400

*Modèle	Énergie	Puissance	Tension	Courant	Phases	Hz	Caractéristiques électriques recommandées	Gaz
1433-xxx-E-Kxxx	Gaz nat.	Hs 34,8 kW	230 V c.a.	3 A	1	50 Hz	3 fils, 1 pôle 1N-1G	H _s 34,8 kW/h sous 17,4 mbar ** 3,88 m ³ /h
1434-xxx-E-Kxxx	GPL Gaz	Hs 40 kW	230 V c.a.	3 A	1	50 Hz	3 fils, 1 pôle 1N-1G	H _s 40 kW/h sous 27,4 mbar ** 1,14 m ³ /h
1440-xxx-E-Kxxx	Gaz nat.	35 kW	120 V c.a.	3 A	1	60 Hz	3 fils, 1 pôle 1N-1G	35 kW/h sous 27,4 mbar **
1441-xxx-E-Kxxx	GPL Gaz	35 kW	120 V c.a.	3 A	1	60 Hz	3 fils, 1 pôle 1N-1G	35 kW/h sous 27,4 mbar **
1444-xxx-U-Kxxx	Gaz nat.	120 000 BTU	120 V c.a.	5 A	1	60 Hz	3 fils, 1 pôle 1N-1G	120 000 BTU sous 7 po colonne H ₂ O **
1446-xxx-N-Kxxx	Gaz nat.	120 000 BTU	220/230 V c.a.	5 A	1	50 Hz	3 fils, 1 pôle 1N-1G	120 000 BTU sous 1,7 kPa
1447-xxx-N-Kxxx	GPL Gaz	120 000 BTU	220 V c.a.	3 A	1	60 Hz	3 fils, 1 pôle 1N-1G	120 000 BTU sous 11 po colonne H ₂ O **
1450-xxx-U-Kxxx	Gaz nat.	120 000 BTU	120 V c.a.	5 A	1	60 Hz	3 fils, 1 pôle 1N-1G	120 000 BTU sous 7 po colonne H ₂ O **
1451-xxx-U-Kxxx	GPL Gaz	120 000 BTU	120 V c.a.	5 A	1	60 Hz	3 fils, 1 pôle 1N-1G	120 000 BTU sous 11 po colonne H ₂ O **
1456-xxx-B-Kxxx	Gaz nat.	120 000 BTU	220/240 V c.a.	5 A	1	50 Hz	3 fils, 1 pôle 1N-1G	120 000 BTU sous 7 po colonne H ₂ O **
1457-xxx-B-Kxxx	GPL Gaz	120 000 BTU	220/240 V c.a.	5 A	1	50 Hz	3 fils, 1 pôle 1N-1G	120 000 BTU sous 11 po colonne H ₂ O **
1474-xxx-E-Kxxx	Gaz nat.	35 kW	220 V c.a.	3 A	1	50 Hz	3 fils, 1 pôle 1N-1G	35 kW/h sous 27,4 mbar **

* Voir Légende du numéro de modèle à la section 1.

Tableau de conversion de la pression de gaz

Pouces de colonne d'eau	kPa	mbar	Millimètres de colonne d'eau
3,5	0,87	8,7	88,9
4,5	1,12	11,2	114,3
7	1,74	17,4	177,8
10	2,48	24,87	254,0
10,5	2,61	26,11	266,7
11	2,73	27,36	279,4
14	3,48	34,81	355,6
14,5	3,61	36,05	368,3

Alimentation électrique pour les fours 3240 au gaz en Australie :

Monophasé : 240 V c.a., 50 Hz / 20 A : un neutre et une mise à la terre.

REMARQUE : En Australie, utiliser une prise à usage général de 10 A.

Chaque four nécessite un circuit d'alimentation séparé et son propre neutre.

Caractéristiques

Corps : Acier inoxydable	Alimentation : Gaz et / ou électrique
Niveau dB ≤ 71dBa	Plage de température de fonctionnement : 149 °C à 316 °C (300 °F à 600 °F)

REMARQUE : Pour bien fonctionner, la valve de gaz nécessite une pression d'entrée de 7 po H₂O pour le gaz naturel et de 11 po H₂O pour le GPL. Une pression d'entrée d'au moins 1,0 po H₂O au-dessus du réglage du collecteur (collecteur NAT. 3,5 po H₂O, collecteur GPL 10 po H₂O) doit être maintenue sans chute de pression entre l'état à vide et l'état à pleine charge. La pression d'entrée maximale doit être maintenue à ou sous 1/2 PSIG (14,5 po H₂O). Voir les conversions de pression dans le tableau à gauche.

Caractéristiques – Modèles à chauffage électrique

Alimentation secteur requise – électrique

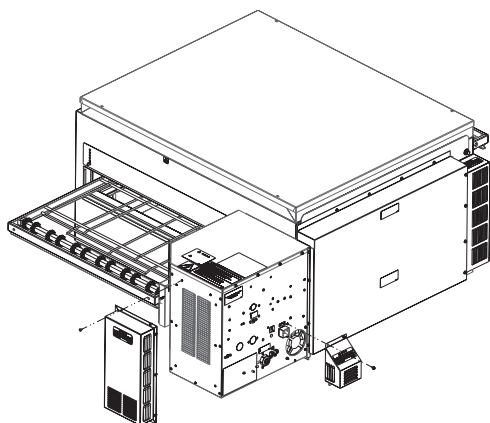
*Modèle	Énergie	Puissance	Tension	Courant	Phases	Hz	Caractéristiques électriques recommandées
1421-xxx-E-Kxxx	Électrique	27 kW	400/230 V	40 A	3	50 Hz	5 fils, 3 pôles 1N-1G
1452-xxx-U-Kxxx	Électrique	27 kW	120/208 V	80 A	3	60 Hz	4 fils, 3 pôles 1G
1453-xxx-U-Kxxx	Électrique	27 kW	120/240 V	70 A	3	60 Hz	4 fils, 3 pôles 1G
1454-xxx-N-Kxxx	Électrique	27 kW	380Y/220	41 A	3	50 Hz	5 fils, 3 pôles 1N-1G
1455-xxx-N-Kxxx	Électrique	27 kW	415Y/240	38 A	3	50 Hz	5 fils, 3 pôles 1N-1G
1458-xxx-E-Kxxx	Électrique	27 kW	400	38 A	3	50 Hz	5 fils, 3 pôles 1N-1G

Alimentation électrique pour les fours 3240 électriques en Australie :

Monophasé : 240 V c.a., 50 Hz / 20 A ; un neutre et une mise à la terre.

Triphasé : 240/415 V c.a. / 20 A ; trois phases actives, un neutre et une terre/masse.

Chaque four nécessite un circuit d'alimentation séparé et son propre neutre.



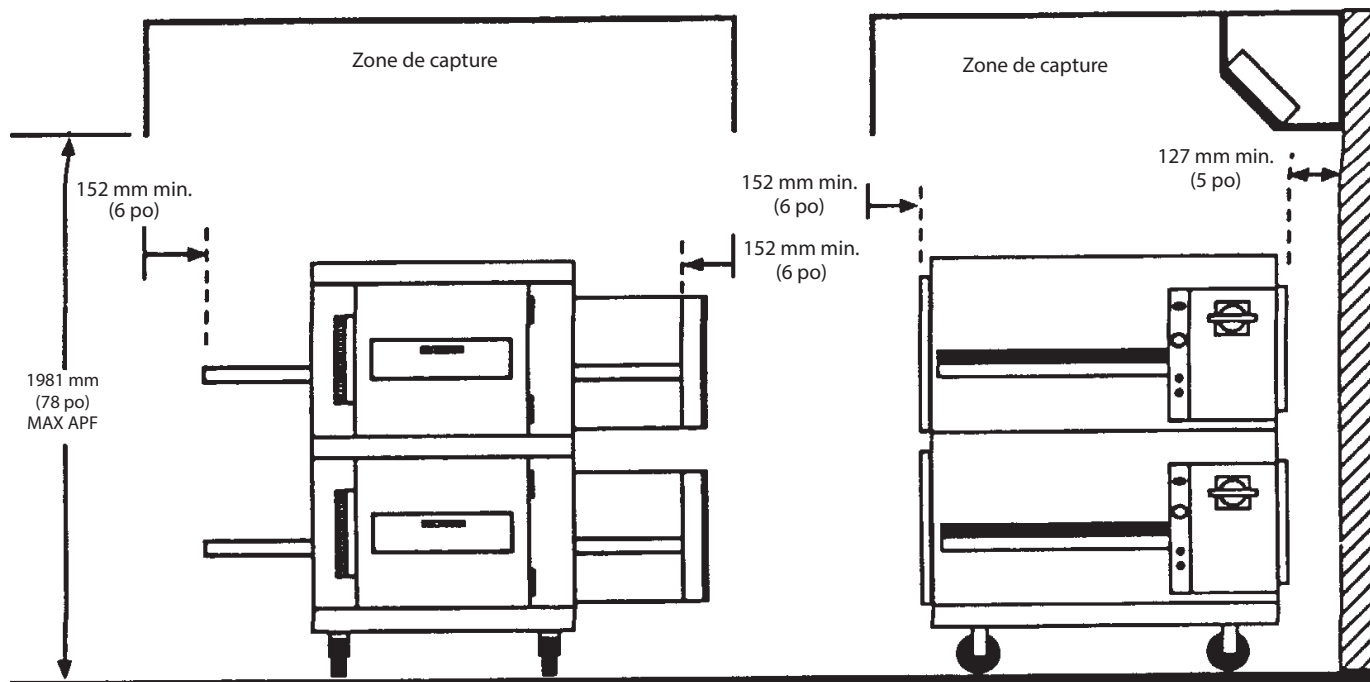
⚠ Avertissement

Ces capots doivent IMPÉRATIVEMENT être installés sur les fours 1400 électriques de 50 Hz. Il est illégal et potentiellement dangereux de faire fonctionner un four électrique de 50 Hz (tout four 1400 électrique portant le marquage CE) sans ces capots en place. L'absence des capots présenterait un problème de responsabilité en cas d'accident.

Avis

Ne pas installer ce ou ces fours dans un endroit où la température ambiante dépasse 35 °C/95 °F. Cela peut endommager l'appareil.

Recommandations pour la hotte de ventilation



APF = Au-dessus du plancher fini

REMARQUE : Le dessin illustre une installation typique et est fourni à titre indicatif. Ce n'est pas une spécification absolue. Les dimensions et le positionnement de la hotte au-dessus du four varient en fonction des fabricants de hotte.

REMARQUE : Lincoln peut fournir des fiches de spécifications qui indiquent les dimensions du four, les valeurs en kW ou en BTU ainsi que d'autres informations qui seront utiles au fournisseur de hotte de ventilation et à l'entrepreneur en CVCA.

Conditions d'installation requises

⚠ DANGER

Les prises et raccordements aux réseaux d'alimentation doivent être entretenus en conformité avec les codes en vigueur.

EXIGENCES DU CODE DU GAZ

⚠ DANGER

La conversion de cet appareil d'un type de gaz à un autre doit être effectuée par du personnel accrédité et autorisé pour l'installation ou l'entretien. La conversion sans les bons composants peut provoquer un incendie ou une explosion.

⚠ Avertissement

Un robinet d'arrêt manuel doit être installé dans la conduite d'alimentation de gaz (service) de cet appareil et de manière à pouvoir être accessible rapidement en cas d'urgence.

Le fonctionnement sûr et satisfaisant de ce four dépend dans une bonne mesure de sa bonne installation. Il devra être installé conformément au Code d'installation du gaz naturel et du propane, à la dernière version d'ANSI Z223.1/NFPA 54, aux directives d'installation du fabricant et aux codes du bâtiment locaux.

1. Le four et son robinet d'arrêt individuel doivent être débranchés de la tuyauterie d'alimentation en gaz pendant tout essai de pression de ce système à des pressions d'essai dépassant 3,45 kPa (1/2 psig).
2. Le four doit être isolé de la tuyauterie d'alimentation de gaz en fermant son robinet d'arrêt manuel individuel pendant un essai de pression du système d'alimentation en gaz à des pressions d'essai égales ou inférieures à 3,45 kPa (1/2 psig).

AU MASSACHUSETTS : L'installation de ce four doit être effectuée par un plombier licencié ou un monteur d'installations au gaz. Les branchements doivent être conformes aux exigences du code en vigueur. Voir l'information particulière dans la section « Conditions d'installation requises ».

La longueur minimale du tuyau d'alimentation de gaz flexible est 914 mm (36 po).

AU CANADA : L'installation de ces appareils doit être effectuée conformément à la dernière version de CSA B.149.1 Code d'installation du gaz naturel et du propane et/ou des codes locaux en vigueur.

EN AUSTRALIE : Doit être installé conformément au code d'installation du gaz AS 5601-2004 et 4563-2004.

EN AFRIQUE DU SUD : Doit être installé conformément à SANS 10087-1 ou SANS 827, selon le cas.

REMARQUE : Dans le cas où une vérification de la flamme de la veilleuse est nécessaire, un petit miroir peut être utilisé à cette fin.

Si des alimentations flexibles sont fournies, elles doivent respecter les exigences du code pour une telle installation.

EXIGENCES DU CODE D'ÉLECTRICITÉ

⚠ Avertissement

Cet appareil doit être mis à la terre et le câblage du site conforme à toutes les réglementations locales et nationales en vigueur. Voir la tension correcte sur la plaque signalétique. Il appartient à l'utilisateur final de prévoir un moyen de débranchement conforme à la réglementation en vigueur.

⚠ Avertissement

Cet appareil devra être placé de telle façon que la fiche soit accessible, sauf si un autre moyen de sectionnement de l'alimentation électrique (disjoncteur ou sectionneur, par exemple) est prévu.

Lors de son installation, cet appareil doit être mis à la terre et son installation doit être conforme au code électrique national, dernière édition ANSI-MFPA 70, aux directives d'installation du fabricant et aux codes du bâtiment locaux en vigueur.

AU CANADA : Toutes les raccordement électriques doivent être effectués conformément à la dernière version CSA C22.2 Code canadien de l'électricité et/ou des codes locaux en vigueur.

TOUS LES AUTRES PAYS : Les codes locaux sur le gaz et/ou l'électricité ont préséance.

1. Chaque four est fourni avec un réducteur de tension. Le concessionnaire international ou les distributeurs fournissent le cordon d'alimentation et la fiche qui conviennent à chaque client.
2. L'interrupteur à coupure omnipolaire doit avoir une ouverture de contact 3 mm.
3. Pour éviter les chocs électriques, une cosse de mise à la masse équipotentielle est fournie à l'arrière. Elle permet de raccorder le four à un système de masse externe.
4. Dans le cas de deux ou trois fours superposés où chaque four a son propre interrupteur de coupure, tous les interrupteurs doivent être proches l'un de l'autre.

EXIGENCES DE DÉGAGEMENT

⚠ Avertissement

Pour éviter toute instabilité, la surface de pose doit pouvoir soutenir le poids combiné du matériel et du produit. En outre, l'appareil devra être niveau latéralement et d'avant en arrière.

Le four doit avoir un dégagement de 127 mm (5 po) par rapport aux surfaces combustibles. Si un autre appareil se trouve sur le côté droit du four, un dégagement minimal de 609 mm (24 po) est requis entre les deux.

POUR TOUS LES FOURS : Un dégagement de 609 mm (24 po) à l'arrière du four doit être maintenu pour permettre l'entretien.

POUR LES FOURS À INSTALLATION FIXE : Un four installé de façon fixe (non déplaçable) nécessite un dégagement minimum de 4 m (13 pi) sur le côté droit pour permettre le déplacement, le nettoyage et l'entretien du convoyeur.

REMARQUE : Ne pas installer ce ou ces fours dans un endroit où la température ambiante dépasse 35 °C/95 °F. Cela peut endommager l'appareil.

EXIGENCES DE VENTILATION

UNE ÉVACUATION EST REQUISE : Les codes locaux ont préséance. Il s'agit de l'« autorité ayant juridiction » comme stipulé par la NATIONAL FIRE PROTECTION ASSOCIATION, INC. dans la dernière édition de NFPA 96. En plus d'être conforme à la section 10.3.5.2 de NFPA 54, cet appareil doit être installé avec un mécanisme d'interdiction sur la hotte de ventilation qui empêche l'appareil de fonctionner si la hotte de ventilation est fermée. Pour de plus amples informations sur la ventilation, voir ci-dessous.

Directives concernant la ventilation

Une hotte de ventilation est requise pour éliminer la chaleur et les odeurs de cuisson. Pour les fours au gaz, une hotte de ventilation est également requise pour éliminer les produits de combustion. La hotte et l'installation de CVCA doivent satisfaire les codes locaux pour obtenir l'approbation de l'autorité ayant juridiction. Les exigences peuvent varier dans le pays selon la ville, le comté ou la province. Consulter l'autorité ayant juridiction pour déterminer les exigences pour cette installation. (REMARQUE : Ce four est considéré comme étant « de service moyen pour la cuisson » pour les besoins des exigences réglementaires de ventilation.) Obtenir l'information nécessaire et relire les codes ou documents qui seront utilisés pour inspecter et approuver l'installation. Demander aussi conseil au fournisseur de hotte de ventilation et à l'installateur en CVCA. Une hotte de ventilation et un système de CVCA correctement conçus et installés hâteront l'approbation et réduiront les coûts d'entretien du four. Le propriétaire du four est responsable d'avoir une bonne ventilation.

La hotte de ventilation doit fonctionner en harmonie avec le système de CVCA du bâtiment. Une extraction de 2720 à 4760 m³/h (1200 à 3500 pi³/min) ou plus avec 70 % d'air d'appoint est généralement requise. (Le « rendement » des différentes configurations de hotte rend nécessaire de spécifier une telle plage de débit d'extraction). L'air d'appoint doit être fourni soit par la hotte, soit par le système de CVCA. Les hottes varient selon le fabricant.

Avis

Empêcher la circulation de l'air dans le tunnel de cuisson. L'air ne doit PAS être dirigé vers l'avant du four ou sur le côté de l'aire de cuisson ou à l'arrière du four.

Système de ventilation

REMARQUE : Ces fours sont considérés comme étant « de service moyen pour la cuisson » pour les besoins des exigences réglementaires de ventilation.

Cette information est donnée à titre indicatif pour la ventilation.

1. Les dimensions illustrées sont pour les fours sans tablettes de rallonge. L'extrémité extérieure du châssis du convoyeur doit être d'au moins 152 mm (6 po) à l'intérieur de la hotte comme sur l'illustration.
2. La vitesse de capture le long du bord inférieur de la hotte doit être de 15 m/min (50 pi/min) sur les côtés et l'avant.
3. Utiliser des filtres sur la partie extraction à l'arrière de la hotte, comme sur l'illustration.
4. Lors de la mise en marche, le niveau de CO doit être mesuré autour du four sous la hotte.
5. Ce niveau doit être inférieur à 10 ppm.
6. Les fours doivent être centrés dans l'espace de la hotte de latéralement et d'avant en arrière, si possible.
7. Un espace de 127 mm (5 po) à l'arrière du four est recommandé pour branchements aux réseaux d'alimentation.
8. Il est conseillé de fournir 70 % d'air d'appoint à l'extérieur de la hotte par des diffuseurs métalliques perforés directement vers le bas et non vers le four, placés sur l'avant, les côtés ou les deux.
9. Les diffuseurs d'air de la pièce ne doivent pas être dirigés vers le four et doivent être positionnés au moins à 914 mm (3 pi) du périmètre de la hotte pour éviter de perturber le four.

EXIGENCE DE RETENUE – TOUS LES FOURS SUR ROULETTES

⚠ DANGER

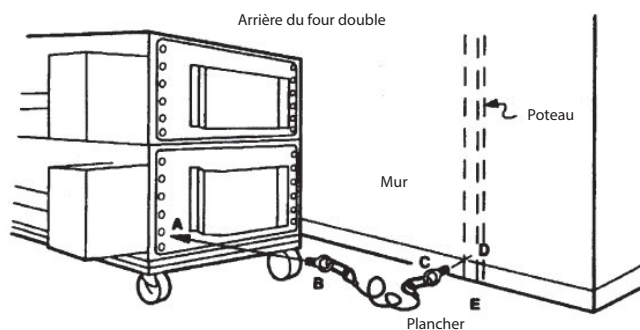
Des pieds ou des roulettes doivent impérativement être montés et ils doivent être vissés complètement. Lorsque des roulettes sont montées, la masse de l'appareil est suffisante pour lui permettre de se déplacer de façon incontrôlée sur une surface inclinée. Les appareils raccordés de façon permanente doivent être retenus/attachés en conformité avec tous les codes en vigueur, de telle façon qu'aucune contrainte ne soit transmise à la conduite d'alimentation électrique.

- L'installation doit être effectuée avec un connecteur qui est conforme à la norme sur les connecteurs d'appareils au gaz mobiles (ANSI Z21.69 dernière version) et un dispositif de déconnexion rapide qui est conforme à la norme sur les dispositifs de déconnexion rapide utilisés avec le gaz combustible (ANSI Z21.41 dernière version).
AU CANADA : L'installation doit être effectuée avec des connecteurs de gaz qui sont conformes avec la dernière version du code canadien CSA 6.16 et les déconnexions rapides doivent se conformer à la dernière version du code canadien CSA 6.9.
EN AUSTRALIE : Doit être installé conformément au code d'installation du gaz AS 5601-2004 et 4563-2004.
- L'installation d'un moyen de retenue doit limiter le mouvement du ou des fours sans dépendre du connecteur, du dispositif de déconnexion rapide ni la tuyauterie associée pour limiter le mouvement du four.
- Si le moyen de retenu doit être détaché pendant l'entretien ou le nettoyage, veiller à le rattacher une fois que le four est remis à sa place.

Procédure

1. Visser l'œil de levage « B » du câble au trou « A ».
2. Visser le boulon à œil « C » du câble à un poteau mural « D » ou à un ancrage de plancher « E ».

REMARQUE : Le point d'installation est le même pour les fours simples ou superposés.



Installation

Les directives qui suivent sont destinées à servir de guide pour la préparation de l'installation des fours convoyeurs Impinger® série 1400. Tout d'abord, chaque caisse doit être examinée avant de signer le connaissance afin de rapporter tout dommage visible causé par le transporteur pendant le transport et pour vérifier le nombre de caisses.

DÉCHARGEMENT

Lorsque le four arrive, il doit y avoir :

1. Une caisse contenant le corps de four, le convoyeur, les doigts, les plateaux à miettes et les butées de plateau. (Certains modèles peuvent avoir le convoyeur emballé séparément.)
2. Un emballage contenant le support et le dessus.

Il est recommandé de disposer d'un appareil de manutention pour décharger.

NE PAS SOULEVER UN POIDS EXCESSIF!

EN CAS DE DOMMAGE APPARENT :

AUX ÉTATS-UNIS ET AU CANADA : Des dispositions doivent être prises pour soumettre une réclamation contre le transporteur, car les règlements de commerce inter-États exigent que le destinataire soit à l'origine de la réclamation.

TOUTES LIVRAISONS DANS LES AUTRES PAYS : Les conditions de transport seront élaborées et accordées au cas par cas.

Un lieu d'entreposage adapté et sûr doit être prévu pour le ou les fours. Le cas échéant, le protéger contre les intempéries et l'humidité avant l'installation.

DÉBALLAGE

Lorsque toutes les caisses sont déchargées, les ouvrir et retirer les housses en plastique. Inspecter immédiatement pour voir s'il y a des dommages cachés. En cas de dommages apparents, contacter immédiatement les personnes appropriées pour soumettre une réclamation en dommage. Une fois l'inspection terminée, continuer le déballage du four et de tous les autres composants. Veiller à bien retirer le carton du carénage de plénum. Amener tous les éléments à l'intérieur, près de l'endroit où ils seront assemblés, dans l'ordre où ils seront assemblés.

LE FOUR PASSE À TRAVERS UNE PORTE DE 762 mm (30 po) DE LA MANIÈRE SUIVANTE :

- Retirer le convoyeur; voir les instructions à la section « Nettoyage hebdomadaire ». (Certains appareils peuvent avoir le convoyeur emballé séparément.)
- Retirer les vis à molette et la chicane sur le côté gauche du four.

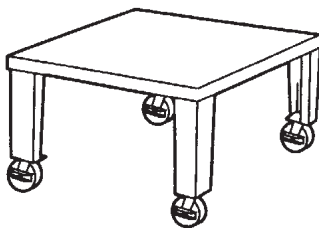
Avis

Ne pas soulever les fours par le boîtier de commande. Le soulever par la cavité principale seulement. Soulever le four par le boîtier de commande peut endommager les commandes.

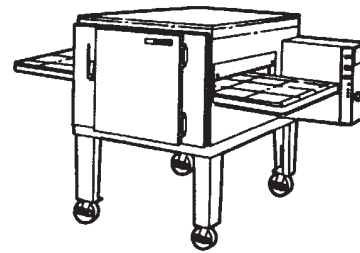
Déballer l'appareil. Retirer toutes les pièces des doigts et le convoyeur. L'appareil peut alors être placé sur le côté gauche (du côté opposé au boîtier de commande), sur un chariot à quatre roues, pour passer une porte de 762 mm (30 po).

Installation du robinet de gaz manuel

Lors de l'installation du robinet de gaz fourni avec le four, nous suggérons de placer d'abord un coude sur la conduite du four. Cela permet d'attacher le tuyau flexible tourné vers le bas et d'éliminer les possibles contraintes sur le tuyau.

Assemblage du support et des doigts**ASSEMBLAGE DU SUPPORT**

1. Le support est un rectangle de 1016 mm x 1245 mm (40 po x 49 po). Le mettre en place avec le côté de 1270 mm (40 po) vers l'avant. Ce sera l'avant du four. À l'aide d'un niveau de menuisier, mettre les quatre (4) côtés du support de niveau. Utiliser les pieds réglables pour relever ou abaisser le support. Les fours sur roulettes doivent être installés sur un plancher de niveau. REMARQUE : Le dessus du four est emballé avec un support de four. Retirer le dessus du support avant de l'assembler.



2. Retirer le four du chariot et l'installer sur le support. Le panneau de commande doit être à l'arrière droite lorsqu'on fait face au four. S'assurer que le four repose bien sur le support. Pour un four simple, installer le dessus. Pour un double, voir l'étape 3.



3. S'il s'agit d'un four superposé double, poser le deuxième four sur le premier. S'assurer que le four repose correctement et complètement. Le panneau de commande va à l'arrière droite. Poser à présent le dessus du four.

INSTRUCTIONS DE SUPERPOSITION

Les appareils de modèle série 1400 peuvent être montés soit sur un modèle 1000 (Impinger® I) soit 1200 (Impinger® III) avec l'ajout d'un chapeau de cheminée, pièce n° 1465, sur l'appareil du bas. Comme les appareils de la série 1400 sont sans cheminée, ils peuvent être montés sous un Impinger® I ou III sans rallonge de cheminée. Les appareils de la série 1400 ne sont pas homologués pour le montage avec, sur ou sous un quelconque matériel, sauf indiqué plus haut.

ASSEMBLAGE DES DOIGTS

1. Avant d'installer les ferrures de retenue dans le ou les fours, s'assurer d'avoir bien enlevé tout le matériel d'emballage du carénage de plénum. Installer les ferrures de retenue de doigt en les plaçant à l'envers et en accrochant la goupille de retenue comme illustré. **(Voir Figure 1.)**
2. Tourner les ferrures de doigt jusqu'à ce que les encoches dans les ferrures reposent sur les goupilles de retenue. **(Voir Figure 2.)**
3. Assembler les doigts comme illustré aux **Figures 3 et 4.**
4. Insérer la plaque perforée en plaçant le décrochement sous la lèvre du logement du doigt et en posant la plaque au ras du rebord latéral du logement.
5. Installer le couvercle en le glissant sur la petite extrémité. **(Voir Figure 5.)**

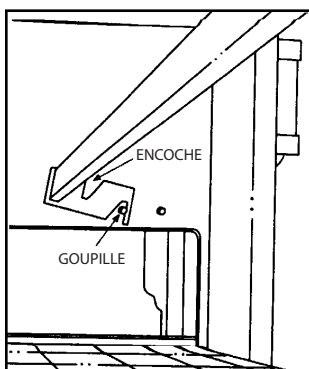


Figure 1

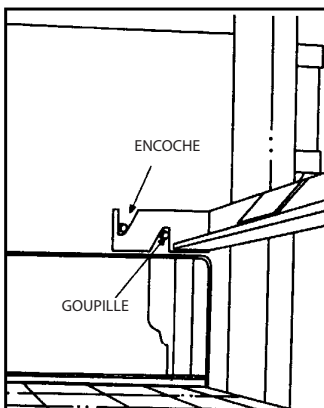


Figure 2

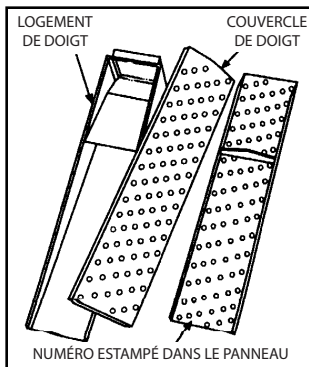


Figure 3

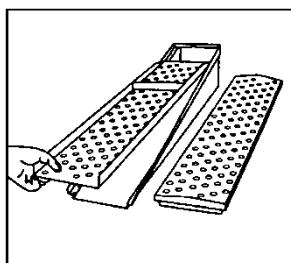


Figure 4

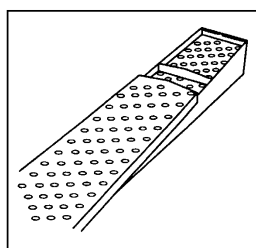


Figure 5

6. Insérer le doigt assemblé dans l'ouverture de la porte en commençant en bas à gauche. **REMARQUE :** Le client **DOIT** indiquer à quel endroit placer le doigt assemblé, selon ses besoins.
7. Installer le doigt dans le four en le glissant sur la bride du caisson et en posant la ferrure avant. **(Voir Figures 6 et 7.)** S'ASSURER QUE LE DOIGT REPOSE BIEN SUR LES BRIDES DU CAISSON ET QUE LES TROUS POINTENT DANS LE BON SENS. Les doigts supérieurs pointent vers le bas, les doigts inférieurs pointent vers le haut. **(Voir Figure 8.)**
8. Répéter l'étape 7 jusqu'à ce que les huit (8) doigts soient installés.
9. Installer le convoyeur et les plateaux à miettes avant utilisation. Voir les directives de « Nettoyage hebdomadaire » en Section 4.

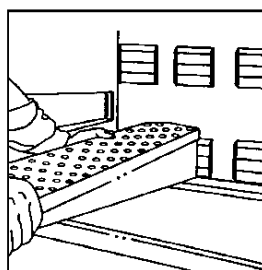


Figure 6

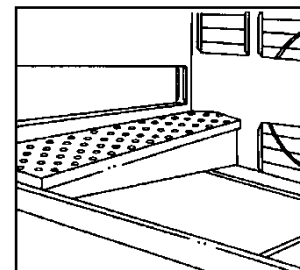


Figure 7

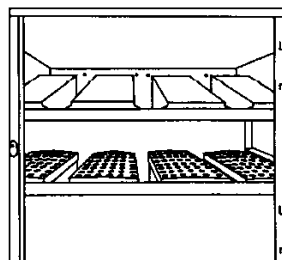
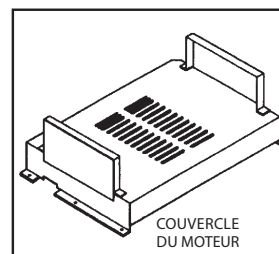
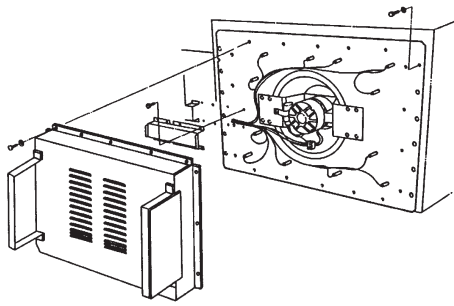


Figure 8

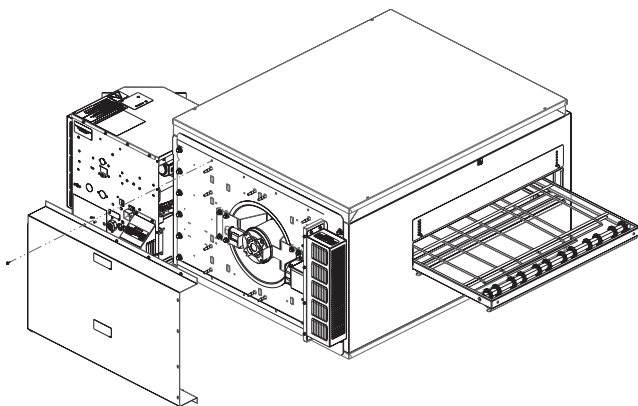
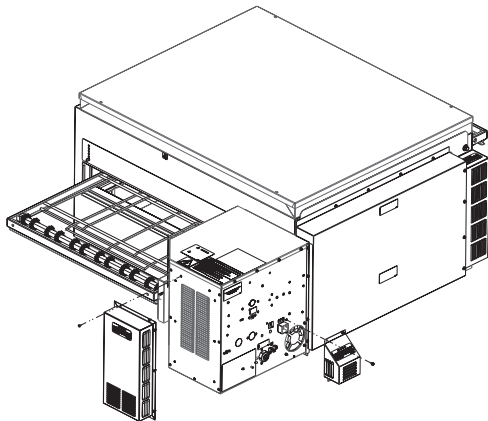
10. Fixer le couvercle du moteur comme sur l'illustration avec les boulons fournis.



COUVERCLE DU MOTEUR



1400 gaz et électrique 60 Hz



Électrique CE 50 Hz

ELECTRIQUE CE 50 HZ**⚠ Avertissement**

Ces capots doivent IMPÉRATIVEMENT être installés sur les fours électriques de 50 Hz. Il est illégal et potentiellement dangereux de faire fonctionner un four électrique de 50 Hz (tout four électrique portant le marquage CE) sans ces capots en place. L'absence des capots présenterait un problème de responsabilité en cas d'accident.

Liste de vérification de l'installation**⚠ DANGER**

Vérifier tous les raccordements de câbles, y compris ceux des bornes d'usine, avant utilisation. Les raccordements peuvent s'être desserrés durant le transport et l'installation.

⚠ Avertissement

Lorsque l'installation ou l'entretien est terminé, il faut effectuer des tests d'étanchéité du gaz avant de remettre l'équipement en service. Ne jamais utiliser d'allumettes, de bougies ni aucune autre source d'inflammation pour vérifier l'étanchéité. Si des odeurs de gaz sont détectées, fermer le robinet d'arrêt principal pour l'alimentation du gaz à l'appareil et communiquer immédiatement avec la compagnie du gaz locale ou une agence de service autorisée pour l'entretien.

NE PAS TENTER DE FAIRE FONCTIONNER LE FOUR tant que le branchement au réseau électrique et l'installation n'ont pas été entièrement inspectés (VÉRIFICATION DE MISE EN MARCHÉ) par un service d'entretien agréé ou un représentant de service après-vente Lincoln Foodservice Products, LLC. Ce service est requis par Lincoln Foodservice Products, LLC afin de s'assurer que le ou les fours sont bien installés et sont en état de fonctionner. La garantie prend effet lorsque la vérification indique que l'installation est satisfaisante.

La garantie ne s'applique pas si le four est mis en marche et utilisé avant que la « VÉRIFICATION DE MISE EN MARCHÉ » ait été effectuée par un service d'entretien agréé ou un représentant de service après-vente Lincoln Foodservice Products, LLC.

LISTE DE VÉRIFICATION

- Tous les dégagements sont-ils respectés?
- Le système de ventilation est-il conforme aux exigences?
- Les pieds et roulettes sont-ils bien fixés?
- L'appareil est-il de niveau?
- Le moyen de retenue a-t-il été installé pour empêcher les mouvements incontrôlés?
- Tous les branchements électriques sont-ils effectués et l'appareil est-il mis à la terre?
- Est-ce que chaque four comporte un sectionneur séparé?
- Toutes les raccordements de câblage y compris les raccordements d'usine ont-ils été vérifiés?

- La tension d'alimentation a-t-elle été vérifiée et correspond-elle à celle sur la plaque signalétique?
- Le robinet d'arrêt a-t-il été installé sur la conduite de gaz en amont de l'appareil?
- Le collecteur de pression de gaz a-t-il été réglé sur la valeur nominale figurant sur la plaque signalétique?
- Est-ce que l'étanchéité de toutes les raccords de gaz a été contrôlée?
- Les ferrures de retenue et les doigts sont-ils correctement installés et positionnés?
- Est-ce que la tension de la courroie est correcte?
- Est-ce que les panneaux d'accès sont installés et bien fixés?
- Est-ce qu'un test de fumée à la chandelle a été exécuté pour vérifier la capture par la hotte?
- Est-ce que le bon fonctionnement de l'appareil a été testé?
- Est-ce que le propriétaire a été instruit du fonctionnement de l'appareil?
- Est-ce que le présent manuel a été remis au propriétaire du magasin?
- Pour électrique CE : Tous les capots sont-ils installés correctement, conformément aux exigences de l'approbation CE, avant de faire fonctionner le four?

Procédures de démarrage

TEST DE FUMÉE À LA CHANDELLE – VÉRIFICATION DU SYSTÈME DE VENTILATION

Le fonctionnement sera évalué pendant la vérification de démarrage en menant un test de fumée à la chandelle. La hotte doit capturer toute la fumée provenant du four. Cela est requis pour assurer le bon fonctionnement du four et pour éliminer les appels de service supplémentaires qui se produisent lorsque les températures ambiantes sont trop élevées. Dans tous les cas, la température ambiante autour du four doit être inférieure à 35 °C/95 °F lorsque le four fonctionne. Dans certaines municipalités, d'autres méthodes pour détecter les produits chimiques ou les gaz sont requises pour satisfaire au code local.

Préparation du four pour ce test :

- Ce test doit être effectué dans le four du bas sur un système à plusieurs fours ou dans un four simple.
- Le convoyeur doit être éteint.
- La température du four doit être réglée à 288 °C/550 °F.

Procédure de test :

REMARQUE : Utiliser la chandelle à fumée Lincoln n°369361 (en Australie, une autre méthode pour colorer l'air peut être utilisée).

1. Porter des gants résistants à la chaleur pour prévenir les brûlures aux mains.
2. Mettre la chandelle à fumée dans une plaque à gâteau d'environ 200 mm x 200 mm x 50 mm (8 po x 8 po x 2 po) de profond ou semblable.
3. Ouvrir la fenêtre d'accès en option dans la porte du four, ou insérer la chandelle dans l'ouverture du convoyeur.
4. Allumer le fusible de la chandelle à fumée et mettre immédiatement le plateau et la chandelle au centre de la cavité du four, sur la courroie du convoyeur. (Fermer la fenêtre d'accès ou la porte.)
5. Observer le tracé de la fumée qui sort des ouvertures du four et la collecte de cette fumée dans le système de ventilation.
6. Le système de ventilation doit capturer toute la fumée provenant du four.

Attention

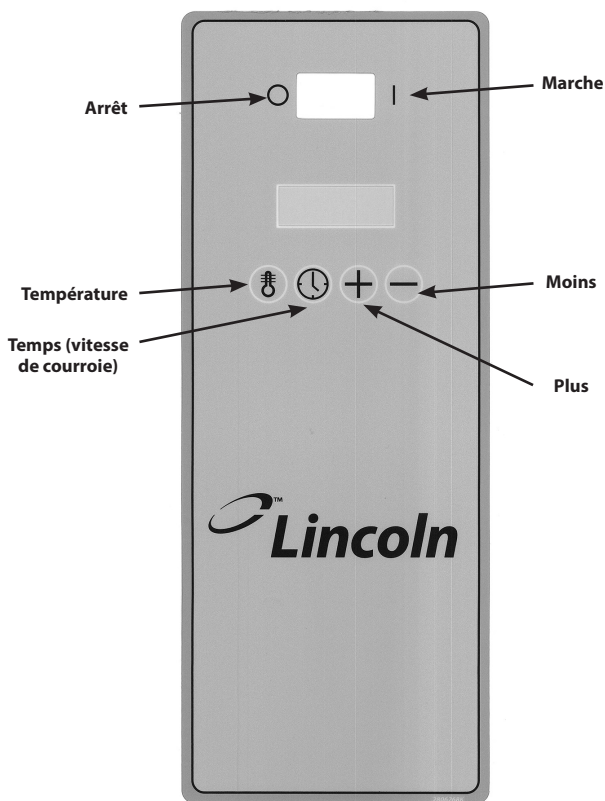
Pour les fours 1400 au gaz, utiliser deux clés à pipe lors du raccordement de la conduite de gaz afin d'éviter les fuites et les dangers potentiels.

AJUSTEMENTS DE LA PLAQUE DE CHICANE DU BOÎTIER DE DOIGT

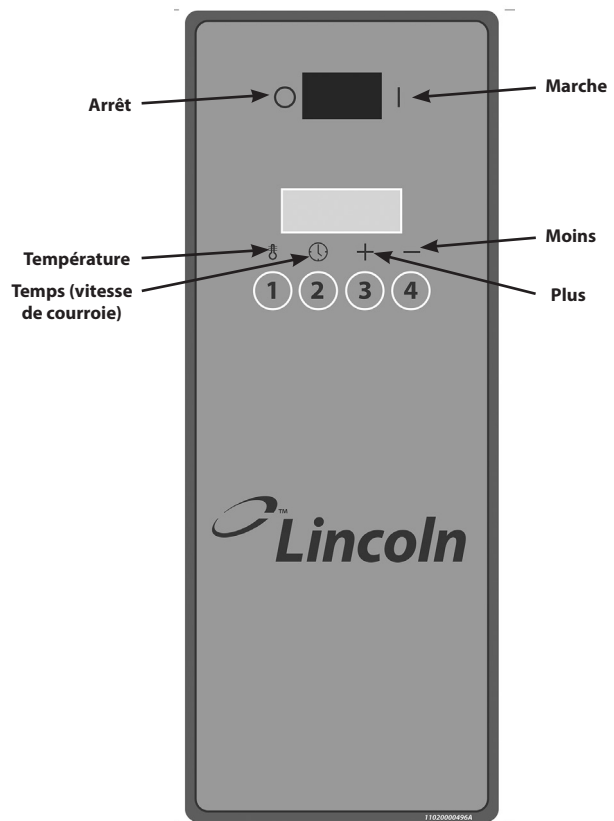
Le boîtier de doigt comporte une chicane montée à l'intérieur afin d'équilibrer la circulation d'air vers l'arrière et l'avant du four. Si le produit cuit plus ou moins à l'arrière du four qu'à l'avant, il peut être nécessaire d'ajuster la chicane du boîtier de doigt. Si la chicane d'équilibrage d'air doit être ajustée, veiller à bien régler les huit boîtiers de doigts exactement sur la même ouverture. Déterminer s'il faut plus d'air (chaleur) à l'avant ou à l'arrière du four, puis ouvrir ou fermer l'air en pliant la chicane dans le bon sens. Pour de plus amples informations sur l'ajustement de la plaque de chicane du boîtier de doigt, communiquer avec le service technique Lincoln au 1-844-724-2273.

Section 3

Fonctionnement



Si la façade a cette apparence, les instructions d'utilisation des préréglages ne s'appliquent pas.



Si la façade a cette apparence, les instructions d'utilisation des préréglages commencent à la page 47.

Information sur l'utilisation du four

Le four Impinger® fonctionne en dirigeant des flux d'air chauffé à haute vitesse directement sur les aliments. L'air étant la source de chaleur, il est efficace même sur les aliments sensibles. Comparé aux fours conventionnels et même aux fours à convection, le temps de cuisson des produits dans les fours convoyeurs Impinger® peut être de deux à quatre fois plus court. Plusieurs facteurs peuvent influencer sur le temps de cuisson de tout produit spécial, notamment : 1) réglage de la température du four, 2) vitesse du convoyeur, 3) position de la plaque perforée dans le four et 4) ajustement des 2 chicanes sur les ouvertures du convoyeur.

Nous conseillons d'expérimenter en essayant différents réglages de température et vitesses de courroie du four. Essayer aussi de contrôler la cuisson du produit en réarrangeant les plaques perforées en option.

⚠ DANGER

Le superviseur du site est responsable d'assurer que les opérateurs soient conscients des dangers inhérents au fonctionnement de cet équipement.

⚠ Avertissement

Ne pas travailler autour du convoyeur avec des cheveux longs détachés, des vêtements amples ou des bijoux qui pendent. Des blessures graves sont possibles s'ils sont pris dans la courroie.

⚠ Avertissement

L'avant du four est chaud pendant la marche. Faire preuve de prudence en travaillant autour du four. Lorsqu'on utilise la porte d'accès avant, veiller à bien remettre la porte en place après avoir terminé. Si la porte n'est pas attachée, elle peut chuter et provoquer des brûlures.

Utilisation et programmation (tous modèles)

INTRODUCTION – MISE EN MARCHÉ ET À L'ARRÊT

Le tableau de commande comprend des commandes de mise en marche, de fonctionnement et de programmation. Pour allumer le four, appuyer sur la touche de marche. Pour éteindre le four, appuyer sur la touche d'arrêt.

CONFIGURATION DU PANNEAU FRONTAL

Le panneau frontal comporte quatre (4) touches de commande : TEMPÉRATURE, TEMPS, PLUS et MOINS. Il comprend aussi un afficheur fluorescent (VFD) de 2 lignes x 16 caractères.

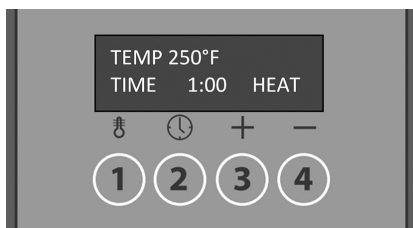
TEMPÉRATURES DE CONSIGNE

Les fours Digital Advantage ont un seul point de consigne. Pour accéder au mode de point de consigne, appuyer simultanément sur les touches TEMPS et TEMPÉRATURE et les tenir enfoncées pendant 5 secondes. Appuyer sur la touche TEMPÉRATURE pour afficher le réglage actuel. Appuyer sur les touches PLUS ou MOINS pour augmenter ou diminuer la température jusqu'au réglage souhaité. En Fahrenheit (mode F), la température est ajustée par intervalles de 5 degrés. En Celsius (mode C), l'ajustement de température se fait par intervalles de 1 degré. Tenir la touche PLUS ou MOINS enfoncée pour faire défiler les réglages beaucoup plus rapidement. Une fois la température souhaitée atteinte, relâcher toutes les touches. Au bout de 5 secondes, la valeur de réglage sélectionnée est enregistrée et conservée dans la mémoire.

TEMPS DE CONSIGNE

Il y a un point de consigne pour la vitesse du convoyeur. Accéder au mode de point de consigne comme indiqué ci-dessus. Appuyer sur la touche TEMPS pour afficher le réglage actuel. Appuyer sur les touches PLUS ou MOINS pour augmenter ou diminuer la vitesse jusqu'au réglage souhaité. La vitesse peut être réglée comme suit :

- 1:00 à 9:55 par intervalles de 5 secondes
- 10:00 à 12:45 par intervalles de 15 secondes
- 13:00 à 19:30 par intervalles de 30 secondes
- 20:00 à 30:00 par intervalles de 1 minute



PASSER D'UN MENU À L'AUTRE

Appuyer sur la touche TEMPS alors qu'on est en mode TEMPÉRATURE (et vice versa) pour faire passer le menu dans ce mode.

MESSAGES DE DIAGNOSTIC

Le système de commande des fours Digital Advantage comprend des messages de diagnostic. Dans le cas peu probable d'une panne de fonctionnement du four, les messages suivants s'affichent sur la commande.

Open Probe (Sonde ouverte)

Cela se produit si aucune température n'est envoyée au contrôleur depuis la chambre de cuisson.

Belt Jam (Blocage de courroie)

Se produit en cas de défaillance du moteur de convoyeur.

COMMUTATEUR D'INVERSION

Le four comporte un commutateur d'inversion du sens de la courroie placé sur l'arrière du boîtier de commande.

Fonctions

INTERRUPTEUR DE COUPURE THERMIQUE

Le modèle 3240 électrique comprend un « interrupteur de coupure thermique de sûreté » pour la protection des utilisateurs. Ce dispositif de sécurité est conçu pour éviter que l'Impinger I surchauffe et endommage le four. Dans le cas peu probable où l'Impinger I dépasse la plage de température de fonctionnement spécifiée, l'interrupteur de coupure thermique se déclenche et coupe l'alimentation électrique de l'Impinger pour le mettre à l'arrêt.

Attention

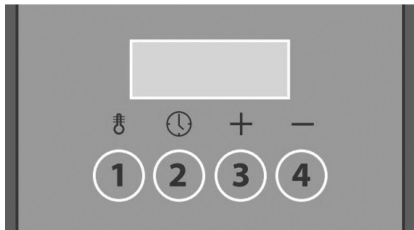
Pour écarter tout danger lié à un réarmement accidentel de la coupure thermique ne pas alimenter cette appareil par l'intermédiaire d'un mécanisme de commutation externe tel qu'une minuterie ni le raccorder à un circuit qui est régulièrement coupé et rétabli par la compagnie d'électricité.

Pour les modèles sans touches « 1-2-3-4 », passer à la page 50, « Changer la vitesse du convoyeur ».

Fonctionnement pré-réglé (modèles avec 1-2-3-4)

L'interface du four comporte quatre touches de commande et un afficheur fluorescent 16 x 2.

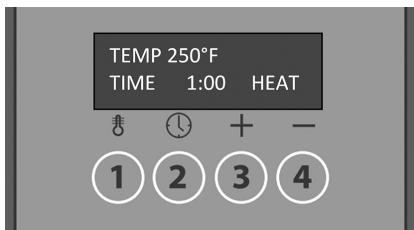
Les quatre touches de commande du four, TEMPÉRATURE, TEMPS, PLUS et MOINS, se trouvent au-dessus des cercles numérotés 1, 2, 3 et 4.



Chaque touche représente également une fonction pré-réglée.

RÉGLER LA TEMPÉRATURE ET LE TEMPS

Durant la marche normale, l'afficheur indique les points de consigne de fonctionnement TEMP (température) et TIME (temps) ou PRESET (pré-réglage, 1 à 4), comme suit :



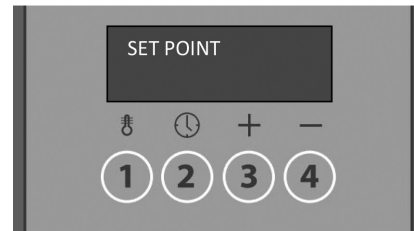
ou



Avant de programmer une touche pré-réglée (1 à 4), le four doit être réglé sur le temps et la température souhaités pour le pré-réglage considéré.

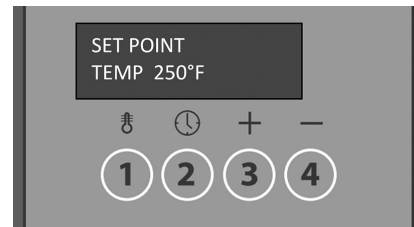
REMARQUE : Changer le temps et la température comme il se doit avant de programmer une touche pré-réglée.

1. Tenir les touches TEMPÉRATURE et TEMPS enfoncées pendant 2 à 3 secondes jusqu'à ce que SET POINT (point de consigne) s'affiche. Relâcher les touches. La commande est à présent en mode Modification.



2. Pour changer la température de consigne :

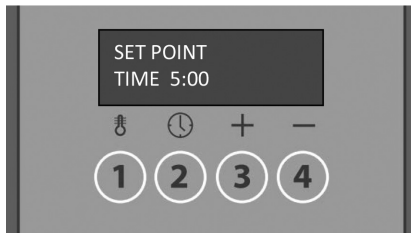
- A. Appuyer brièvement sur la touche TEMPÉRATURE pour afficher l'écran ci-dessous.



- B. Appuyer sur la touche PLUS ou MOINS jusqu'à afficher la valeur SET POINT TEMP (température de consigne) souhaitée.

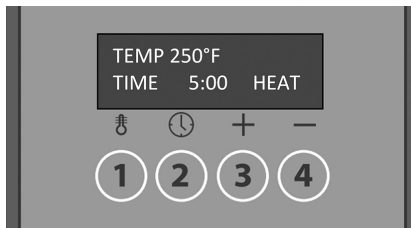
3. Pour changer le temps de consigne de la courroie :

- A. Appuyer sur la touche TEMPS jusqu'à afficher l'écran ci-dessous. Relâcher la touche.



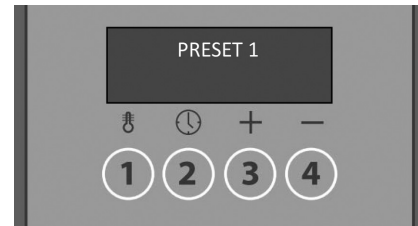
- A. Appuyer sur la touche PLUS ou MOINS jusqu'à afficher la valeur SET POINT TIME (temps de consigne) souhaitée.

Au bout de cinq secondes sans qu'une touche soit enfoncée, la commande commence à fonctionner suivant la température et le temps affichés.



PROGRAMMER LA TEMPÉRATURE ET LE TEMPS AFFICHÉS EN TANT QUE PRÉRÉGLAGE

1. Appuyer sur la touche de commande à utiliser pour le pré réglage et la tenir enfoncée (touche 1, par exemple).
2. Au bout de quatre secondes, l'écran passe de l'affichage de la température et du temps ou de PRESET (1-4) (préréglage) à PRESET 1. **Ne pas relâcher la touche.**



3. Continuer de la tenir enfoncée 11 secondes supplémentaires (15 secondes au total) jusqu'à ce que PRESET 1 UPDATED (préréglage 1 mis à jour) s'affiche. Relâcher la touche. UPDATED (mis à jour) reste affiché pendant 3 secondes.



La température et le temps sélectionnés (ex. : 400F et 5:00) sont confirmés en tant que pré réglage n° 1.

SÉLECTIONNER UN PRÉRÉGLAGE

1. Appuyer sur la touche de commande souhaitée (1, par exemple) et la tenir enfoncée. Au bout de quatre secondes, l'écran passe de l'affichage de la température et du temps ou de PRESET (1-4) (préréglage) à PRESET 1.



2. Relâcher la touche immédiatement. Le préréglage n° 1 est à présent activé et l'écran affiche PRESET 1 ACTIVATED (préréglage 1 activé) pendant 3 secondes avant de revenir à PRESET 1 (préréglage 1) comme sur les illustrations suivantes :



La commande fonctionne à présent avec les réglages de temps et de température enregistrés sous PRESET 1.

Chacune des touches de préréglage (1 à 4) se règle et se sélectionne de la même manière.

Changer la vitesse du convoyeur (Configuration à courroie divisée)

1. Lorsque le four est mis en marche, toutes les courroies démarrent automatiquement. Pour ajuster la vitesse du convoyeur, tenir la touche TEMPS enfoncée jusqu'à ce que le convoyeur souhaité s'affiche à l'écran.
2. Appuyer sur la touche PLUS ou MOINS jusqu'à afficher la valeur SET POINT TIME (temps de consigne) souhaitée. Lorsque la touche est enfoncée, l'afficheur indique quelle courroie est en cours de réglage. La touche doit être maintenue enfoncée pendant quatre secondes environ.
3. Le message « Please Release » (veuillez relâcher) s'affiche lorsqu'il est temps de relâcher la touche. La vitesse de courroie est à présent réglée.
4. Pour remettre la courroie en marche, tenir la même touche enfoncée comme précédemment.

Mise à l'arrêt du four

1. Mettre le commutateur Marche/Arrêt en position Arrêt. Le four s'éteint et cesse de fonctionner.

Conseils pour la cuisson

1. Laisser le chauffage du four se stabiliser pendant 30 minutes au minimum :
 - Au démarrage à partir de l'arrêt
 - Après chaque changement de préréglage
 - Après chaque changement de température de cuisson

Section 4

Entretien

Entretien préventif

Bien que ce four ait été conçu pour poser le moins de problème possible, un entre préventif périodique est essentiel au maintien d'un fonctionnement optimal. Il est nécessaire de maintenir les moteurs, ventilateurs et commandes électriques exempts de saletés, poussières et débris afin d'assurer un bon refroidissement. La surchauffe est préjudiciable à tous les composants mentionnés. Les intervalles périodiques de nettoyage préventif peuvent grandement varier en fonction de l'environnement dans lequel le four est utilisé. Discuter des besoins en entretien préventif avec le service d'entretien agréé par le fabricant afin d'établir un programme adapté. Pour toute question à laquelle le service d'entretien ne peut répondre, communiquer avec le Service technique de KitchenCare au (844) 724-2273.

⚠ DANGER

Couper l'alimentation de courant avant de faire l'entretien ou de nettoyer cet appareil. Protéger l'alimentation afin qu'elle ne puisse être rétablie accidentellement. Le non respect de ces consignes risque d'entraîner la mort ou de graves blessures. Il y a plus d'un point de connexion à l'alimentation lorsque les fours sont empilés alors assurez-vous que tous les interrupteurs sont à la position fermée avant de nettoyer ou de faire l'entretien.

⚠ DANGER

Le propriétaire de l'appareil a pour responsabilité d'effectuer une évaluation des risques et de l'équipement de protection individuelle pour assurer une protection suffisante durant les opérations d'entretien.

Pour maintenir une efficacité maximale du four, tous les volets d'air sur le four doivent être nettoyés régulièrement. L'utilisation et le type de produit détermineront la fréquence du nettoyage. La chaîne d'entraînement du convoyeur doit être vérifiée lors du cycle de nettoyage hebdomadaire afin de voir s'il s'est desserré. L'utilisation avec une chaîne desserrée endommagerait le moteur d'entraînement du convoyeur.

Si le four ne fonctionne pas, vérifier que le disjoncteur est bien actionné. Vérifier également les fusibles sur le tableau de commande pour s'assurer qu'ils sont en état avant d'appeler l'agence de service autorisée par l'usine.

⚠ Avertissement

Laisser l'équipement chauffé refroidir avant d'entreprendre un nettoyage, un service ou un déplacement. L'appareil doit être froid au toucher et débranché de la source de courant.

Avis

Ne pas utiliser de nettoyants alcalins sur une quelconque partie du four ou de sa cavité. Utiliser des savons ou des détergents doux et non abrasifs appliqués avec une éponge ou un chiffon doux. Ne jamais utiliser d'outils aiguisés ou d'abrasifs durs sur une quelconque partie du four.

Nettoyage quotidien

1. Nettoyer les surfaces extérieures du four en l'essuyant avec un détergent doux et de l'eau propre ou un nettoyant commercial pour l'acier inoxydable.
2. Nettoyer les plateaux à miettes et les protections en les lavant avec une solution de détergent doux et en rinçant à l'eau propre.
3. Pour nettoyer l'intérieur, balayer les saletés décollées, puis laver avec une solution de détergent doux et rincer à l'eau propre.
4. Pour nettoyer la courroie du convoyeur, l'essuyer avec un chiffon propre ou utiliser une brosse à récurer (Lincoln n° de catalogue 11000115638).

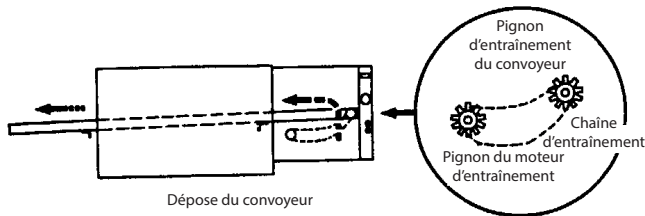
Les dépôts d'éclaboussures cuites, d'huile, de graisse ainsi qu'une décoloration légère peuvent être éliminés de l'extérieur du four avec l'un des nombreux nettoyants commerciaux. Consulter le fournisseur local.

⚠ Avertissement

Lors de l'utilisation de solutions nettoyantes, vérifier qu'elles respectent les normes sanitaires en vigueur.

Nettoyage hebdomadaire

1. Retirer la protection de la chaîne du convoyeur. Retirer les plateaux à miettes et nettoyer dans l'évier.
2. Soulever l'extrémité droite du convoyeur et pousser d'environ 76 mm (3 po). Retirer la chaîne d'entraînement.

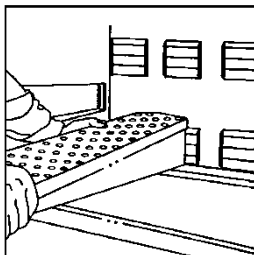


3. Sortir le convoyeur par le côté droit. Placer sur une table ou surface de travail.
4. Inspecter l'usure de la chaîne. Remplacer si nécessaire.
5. Vérifier que le pignon d'entraînement sur le moteur du convoyeur est bien fixé. Serrer si nécessaire.
6. Vérifier si les fixations du moteur du convoyeur sont bien fixées. Serrer si nécessaire.
7. Une fois le convoyeur déposé, détacher les charnières et retirer la porte.

⚠ Attention

La porte est très lourde et doit être déposée à plusieurs. Si la porte n'est pas rattachée solidement, elle peut chuter et provoquer des blessures.

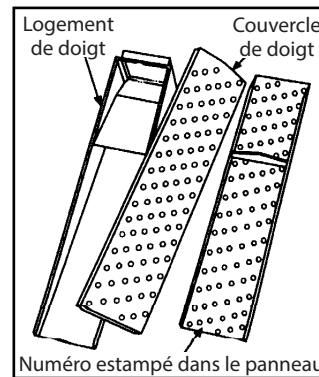
8. Retirer les ensembles de doigts supérieurs et inférieurs et les amener à l'évier. Noter l'emplacement particulier des doigts, comme complètement fermé, à moitié fermé ou entièrement ouvert, et des plaques.



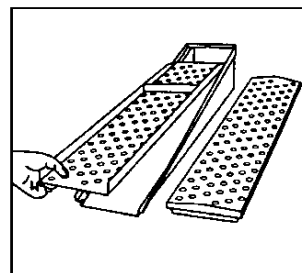
Avis

Les composants des doigts doivent **IMPÉRATIVEMENT** être remis en place en position correcte sinon le four ne cuit pas correctement.

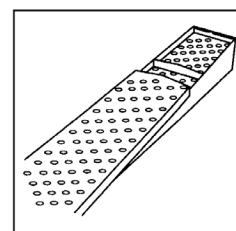
9. Démontage des doigts pour le nettoyage :



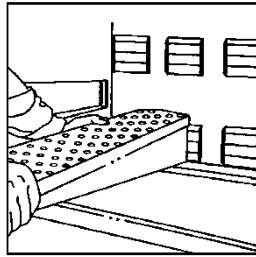
10. Nettoyer les doigts et les plateaux de miettes avec une solution de détergent doux, suivi par un rinçage à l'eau potable.
11. Pour nettoyer l'intérieur, balayer les saletés décollées, puis laver avec une solution de détergent doux et rincer à l'eau propre.
12. Pour nettoyer la courroie du convoyeur, l'essuyer avec un chiffon propre ou utiliser une brosse à récurer (Lincoln n° de catalogue 11000115638).
13. Remonter les doigts. Insérer la plaque perforée en plaçant le décrochement sous la lèvre du logement du doigt et en posant la plaque au ras du rebord latéral du logement.



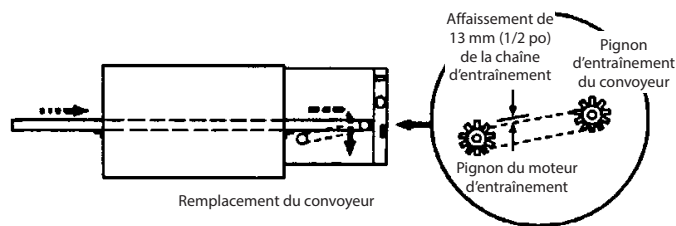
14. Installer le couvercle en le glissant sur le petit côté.



15. Installer les doigts supérieurs et inférieurs dans le four en les glissant sur la bride du caisson et en posant la ferrure avant. **S'ASSURER QUE LE DOIGT REPOSE BIEN SUR LES BRIDES DU CAISSON ET QUE LES TROUS POINTENT DANS LE BON SENS.** Les doigts supérieurs pointent vers le bas. Installer dans la position où ils ont été enlevés.



16. Reposer le convoyeur. Insérer le convoyeur à travers l'ouverture dans le côté droit. Le pignon sera du côté droit du convoyeur.



17. Glisser le convoyeur à travers la chambre du four jusqu'à ce que la barre de blocage sur le côté entraînement du convoyeur soit à environ 50 à 76 mm (2 à 3 po) dans la chambre du four. Installer la chaîne d'entraînement en la plaçant sur le pignon d'entraînement et sur le pignon du convoyeur.
18. Soulever le convoyeur juste assez pour pouvoir tirer le convoyeur vers soi jusqu'à ce que la barre de blocage soit à l'extérieur de la cavité du four. En même temps, pousser le convoyeur vers le bas afin que la barre se bloque sur l'extérieur de la paroi du four.
19. Contrôler l'alignement des pignons et ajuster si nécessaire.
20. Reposer les plateaux à miettes et le cache de protection de la chaîne.
21. Rebrancher le courant.
22. Nettoyer toute saleté des événements, sur le ventilateur de refroidissement du boîtier de commande et les ouvertures de la paroi arrière (couvercle).

Section 5 Dépannage

Liste de vérification avant d'appeler le service technique

Problème	Cause	Correction
Ne fonctionne pas	Disjoncteur déclenché	Réarmer le disjoncteur
	Robinet à gaz manuel fermé	Ouvrir le robinet
	Mauvais fusibles	Changer les fusibles à l'arrière du four
	Déclenchements de la protection thermique (fours électriques)	Rétablir le courant, appeler le service d'assistance si le problème se reproduit
Chauffage inégal	Doigts mal assemblés	Réassembler correctement
	Les doigts sont au mauvais endroit	Placer les doigts au bon endroit
	Température de four non stabilisée	Laisser le four se stabiliser pendant 30 minutes au minimum après tout changement de température de cuisson
Trop ou pas assez cuit	Réglage de température incorrect	Ajuster la température
	Vitesse du convoyeur incorrecte	Ajuster la vitesse du convoyeur
	Thermostat défectueux	Appeler le service d'assistance
La chaleur et les odeurs de cuisson se répandent dans la pièce	Hotte de ventilation ou d'extraction éteinte	Mettre le système de ventilation en marche
	Les filtres de ventilation ou d'extraction doivent être nettoyés	Nettoyer tous les filtres
	Système de ventilation ou d'extraction défectueux	Appeler le service d'assistance
Le convoyeur ne fonctionne pas	Mal installé	Déposer et réinstaller
	Le pignon d'entraînement est desserré	Resserrer le pignon d'entraînement
	La chaîne d'entraînement est desserrée ou déconnectée	Vérifier si l'installation est correcte - Appeler le service d'assistance
	Le convoyeur s'est étiré avec l'usage	Appeler le service d'assistance

Interrupteur de coupure thermique pour les composants du boîtier de commande

Les fours 1400 électriques (50 Hz et 60 Hz) comportent un « interrupteur de coupure thermique » pour la protection des utilisateurs. Ce dispositif de sécurité est conçu pour éviter que l'appareil surchauffe et endommage le four. Dans le cas peu probable où le four dépasse la plage de température de fonctionnement spécifiée, l'interrupteur de coupure thermique se déclenche et coupe l'alimentation électrique de l'appareil pour le mettre à l'arrêt. Les fours 1400 au gaz (50 Hz et 60 Hz) ne sont pas tenus d'avoir ce dispositif de sécurité.

Avertissement

Pour écarter tout danger lié à un réarmement accidentel de la coupure thermique, ne pas alimenter cette appareil par l'intermédiaire d'un mécanisme de commutation externe tel qu'une minuterie ni le raccorder à un circuit qui est régulièrement coupé et rétabli par la compagnie d'électricité.

GARANTIE LIMITÉE ET MODALITÉS

GARANTIE LIMITÉE SUR L'ÉQUIPEMENT LINCOLN

Lincoln Foodservice (« Lincoln ») garantit que ce produit est exempt de défaut de matériel et de main-d'œuvre pendant une période de :

- Fours CTI (analogiques et numériques), *Impinger II*, *Impinger I*, Profil bas, un (1) an à compter de la date d'achat.
- Fours série 3200 (3240, 3255 et 3270), deux (2) ans à compter de la date d'achat.

Durant la période de garantie, Lincoln, au choix de Lincoln, réparera ou remplacera les pièces qu'elle jugera présenter un défaut de matériel ou de fabrication et, concernant les services, effectuera à nouveau toute partie défectueuse de ces services. Ce qui précède est la seule obligation de Lincoln en vertu de la présente garantie limitée à concernant l'équipement, les produits et les services. En ce qui concerne l'équipement, les matériaux, les pièces et les accessoires fabriqués par des tiers, la seule obligation de Lincoln est de fournir des efforts raisonnables pour obtenir le plein bénéfice des garanties du fabricant. Lincoln n'assume aucune responsabilité, qu'elle soit de nature contractuelle, délictuelle, négligente ou autrement, à l'égard des produits qui ne sont pas fabriqués par Lincoln.

QUI EST COUVERT

La présente garantie limitée s'applique uniquement à l'acheteur d'origine du produit et n'est pas transférable.

EXCLUSIONS DE LA COUVERTURE

- La réparation ou le remplacement des pièces requises en raison d'une mauvaise utilisation, d'un entretien ou entreposage inapproprié, d'une négligence, d'une altération, d'un accident, d'une utilisation de fournitures incompatibles ou de l'absence d'un entretien spécifié seront exclus.
- Les articles d'entretien normaux, notamment ampoules, fusibles, joints d'étanchéité, joints toriques, finitions intérieures et extérieures, lubrification, courroie de convoyeur, balais de moteur, vitre brisée, etc. ainsi que réglages et étalonnage des températures, vitesses et débit d'air.
- Les défaillances provoquées par une tension électrique inadaptée ou irrégulière
- Les réparations inappropriées ou non autorisées
- Les modifications de réglage et d'étalonnage après quatre-vingt dix (90) jours à compter de la date d'installation de l'équipement
- La garantie limitée ne s'applique à aucune pièce soumise à des dommages au-delà du contrôle de Lincoln, ou à aucun équipement qui a été soumis à des altérations, à une mauvaise utilisation ou à une installation inadéquate, à des accidents, à des dommages lors de l'expédition, au feu, aux inondations, autres risques ou catastrophes naturelles qui échappent au contrôle de Lincoln.
- La garantie limitée ne s'applique pas et ne couvre aucun produit ou équipement fabriqué ou vendu par Lincoln lorsque de tels produits ou équipements commerciaux sont installés ou utilisés dans une application résidentielle ou non commerciale. Les installations qui ne sont pas en conformité aux codes du bâtiment ou d'incendie en vigueur rendent cette garantie limitée et toute responsabilité ou obligation qui y est associée nulles et non avenues. Cela comprend tout dommage, frais ou action juridique résultant de l'installation de tout équipement de cuisson commercial de Lincoln dans une application non commerciale ou d'une installation où l'équipement est utilisé pour des applications autres que celles approuvées par Lincoln.

LIMITES DE RESPONSABILITÉ

Les paragraphes précédents énoncent le recours exclusif pour toutes les réclamations liées à une défaillance ou un vice de produits ou services vendus ci-après, que la défaillance ou le vice apparaisse avant ou pendant la période de garantie et qu'une réclamation, quelle que soit son origine, soit fondée sur un contrat, une indemnité, une garantie, un délit civil (y compris négligence), la responsabilité stricte, implicite par la loi ou autrement, et Lincoln et ses représentants ne seront pas responsables pour toute réclamation pour blessures corporelles, dommages indirects ou consécutifs ou pertes, quelle qu'en soit la cause. À l'expiration de la période de garantie, toute responsabilité viendra à échéance. LES PRÉSENTES GARANTIES SONT EXCLUSIVES ET REMPLACENT TOUTES LES AUTRES GARANTIES, QU'ELLES SOIENT ÉCRITES, ORALES, IMPLICITES OU RÉGLEMENTAIRES. AUCUNE GARANTIE IMPLICITE DE QUALITÉ MARCHANDE OU D'ADAPTATION À UN USAGE PARTICULIER N'EST APPLICABLE. LINCOLN NE GARANTIT PAS LES PRODUITS OU SERVICES DE TIERS.

RECOURS

La responsabilité de Lincoln pour violation de toute obligation en vertu de la présente garantie est limitée à : (i) la réparation ou le remplacement de l'équipement sur lequel la responsabilité est fondée ou, concernant les services, la réexécution des services; ou (ii) au choix de Lincoln, le remboursement du montant payé pour cet équipement ou ces services.

Toute violation par Lincoln à l'égard de tout article, élément d'équipement ou service doit être considérée comme une violation à l'égard de cet article, élément ou service seulement.

PROCÉDURE DE RÉCLAMATION EN GARANTIE

- Informer immédiatement le concessionnaire ou un représentant agréé du service technique de Lincoln du numéro de série de l'équipement et de la nature du problème.
- Vérifier que le problème est de la responsabilité de l'usine. Une installation ou utilisation incorrecte de l'équipement n'est pas couverte en vertu de cette garantie limitée.
- Coopérer avec l'organisme de service afin que le service sous garantie puisse être effectué pendant les heures normales de travail.
- Le trajet ne doit pas dépasser deux heures et le kilométrage ne doit pas dépasser cent-soixante (160) kilomètres (cent [100] milles).

LOI EN VIGUEUR

Cette garantie limitée est régie par les lois de l'État du Delaware, É.-U, sans égard aux principes régissant les conflits. La Convention des Nations Unies sur les contrats de vente internationale de marchandises est exclue dans son intégralité dans l'application de la présente garantie limitée.

POLITIQUE DE RETOUR

1. Tout produit retourné doit avoir un numéro d'autorisation de retour de marchandise (RMA) obtenu auprès du Service à la clientèle avant de renvoyer le produit.
2. Le produit doit être produit standard, toujours dans sa caisse et retourné dans les 90 jours à compter de la date de facturation. Par définition, les produits standard sont dans des configurations pouvant être vendues sur le marché général. Les produits personnalisés ont des configurations propres à un client particulier et ne peuvent pas être vendus à d'autres clients. Les produits obsolètes et abandonnés ne peuvent pas être renvoyés.
3. Si le retour d'un produit standard est autorisé, les frais de restockage standard sont de 30 % ou de 20 % si un produit de remplacement est commandé.
4. Les produits personnalisés ne peuvent **pas être retournés**.
5. Les frais de port et de réemballage éventuels sont à la charge du client.
6. Le numéro RMA doit figurer clairement sur toute la documentation d'expédition vers l'usine ou un entrepôt.
7. La RMA est valable pendant 45 jours à compter de la date d'émission.

POLITIQUE DE VENTES INTERNATIONALES

Les commandes internationales présentées par nos concessionnaires des États-Unis sont sujettes aux frais supplémentaires suivants :

- Fours *Impinger II*, *Impinger I*, Profil bas, série 3200 - **20 %**.
- Four de comptoir (CTI), fours de série 1300 et 2500 - **15 %**.

Toutes les expéditions FOB Covington, TN 38019

Caractéristiques sujettes à modification sans préavis.

**WELBILT®***Quand l'innovation se met à table*WWW.WELBILT.COM

Welbilt propose aux meilleurs chefs mondiaux, aux exploitants de chaînes gastronomiques et aux indépendants à succès des équipements et solutions en tête du marché. Nos produits de pointes et nos méthodes de production allégée s'appuient sur des connaissances approfondies, des contributions d'utilisateurs et notre expertise culinaire.

Tous nos produits sont couverts par KitchenCare®, notre service après-vente de réparation et de pièces détachées.

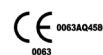
- | | | | | | |
|---------------|---------------|--------------|-----------|--------------|--------------|
| ▶ CLEVELAND | ▶ DELFIELD® | ▶ FRYMASTER® | ▶ KOLPAK® | ▶ MANITOWOC® | ▶ MERRYCHEF® |
| ▶ CONVOTHERM® | ▶ FITKITCHEN™ | ▶ GARLAND | ▶ LINCOLN | ▶ MERCO® | ▶ MULTIPLEX® |

Horno transportador Impinger®

Serie 1400

Manual de instalación, operación y mantenimiento

PARA SUMINISTRO DE 60 HZ



Traducción de las instrucciones
originales

Avisos de seguridad

DEFINICIONES

PELIGRO

Indica una situación peligrosa que, si no se evita, causará la muerte o lesiones graves. Esto se aplica en las situaciones más extremas.

Advertencia

Indica una situación peligrosa que, si no se evita, puede causar la muerte o lesiones graves.

Atención

Indica una situación peligrosa que, si no se evita, puede causar heridas moderadas o menores.

Aviso

Indica información que se considera importante, pero que no tiene relación con peligros (por ejemplo, mensajes relacionados con daños a la propiedad).

NOTA: Indica información útil o adicional sobre el procedimiento que se está realizando.

Lea lo siguiente antes de proseguir:

PELIGRO

No instale ni opere un equipo que haya sido usado incorrectamente, maltratado, desatendido, dañado, alterado o modificado respecto de sus especificaciones de fabricación originales.

Importante

Lea atentamente estas instrucciones de uso, de modo que se familiarice con el equipo antes de conectarlo al recipiente de gas. Guarde estas instrucciones para referencia a futuro.

Advertencia

El ajuste, la alteración, el servicio o el mantenimiento incorrectos pueden provocar daños a la propiedad, lesiones o la muerte. Lea atentamente las instrucciones de instalación, operación y mantenimiento antes de instalar o realizar mantenimiento a este equipo.

Advertencia

Los representantes de mantenimiento autorizados están obligados a cumplir los procedimientos de seguridad estándar de la industria, entre los que se encuentran los reglamentos locales y nacionales para los procedimientos de desconexión, bloqueo y etiquetado para todos los servicios públicos, como electricidad, gas, agua y vapor.

Advertencia

Este equipo no debe ser utilizado por personas (incluidos los niños) con capacidades físicas, sensoriales o mentales reducidas, o con falta de experiencia y conocimientos, a no ser que hayan recibido supervisión acerca del uso del equipo por una persona responsable de su seguridad. No permita que los niños jueguen con este equipo.

Advertencia

Este equipo es solo para uso en interiores. No instale ni opere este equipo en áreas exteriores.

Advertencia

No use equipos eléctricos o accesorios distintos a los proporcionados por el fabricante.

POR SU SEGURIDAD

No almacene ni use gasolina u otros vapores o líquidos inflamables cerca de este o cualquier otro equipo.

Advertencia

Nunca use chorros de agua de alta presión, ni utilice mangueras ni sumerja en agua el interior o el exterior de esta unidad. No use equipos eléctricos de limpieza, lana de acero, raspadores ni cepillos metálicos en las superficies de acero inoxidable o pintadas.

Atención

Personal de mantenimiento autorizado debe realizar el mantenimiento y el servicio, aparte de la limpieza, que se describen en este manual.

NOTA: La instalación, el cuidado y el mantenimiento correctos son esenciales para obtener el máximo rendimiento y un funcionamiento sin problemas de su equipo. Visite nuestro sitio web www.mtwkitchencare.com para obtener actualizaciones de manuales, traducciones o información de contacto de los agentes de mantenimiento en su área.

Índice

	Avisos de seguridad	58
	Definiciones.....	58
Sección 1		
Información general		
	Responsabilidad del comprador	61
	Requisitos adicionales	61
	Clave del número de modelo	62
Sección 2		
Instalación		
	Dimensiones exteriores: 1400.....	63
	Especificaciones: Modelos con calefacción a gas	64
	Especificaciones: Modelos con calefacción eléctrica	65
	Recomendaciones de ventilación de la cubierta	66
	Requisitos de instalación.....	67
	Requisitos del código de gas	67
	Requisitos del código eléctrico	67
	Requisitos de espacio	68
	Requisitos de ventilación	68
	Requisitos de sujeción: TODOS los hornos sobre ruedas.....	69
	Instalación	69
	Descarga	69
	Desembalaje	69
	Instalación de la válvula de gas manual.....	70
	Conjunto de distribuidor de calor y estructura de soporte	70
	Conjuntos de estructura de soporte	70
	Instrucciones de apilado.....	70
	Conjuntos de distribuidores de calor.....	71
	Eléctrico de CE de 50 Hz	72
	Lista de verificación para la instalación	72
	Lista de verificación	72
	Procedimientos de arranque.....	73
	Prueba con vela de humo: Verificación del sistema de ventilación	73
	Ajustes de la placa deflectora de la carcasa del distribuidor de calor.....	73

**Sección 3
Operación**

Información acerca del uso del horno	74
Funcionamiento y programación (todos los modelos)	75
Introducción: Encendido y apagado	75
Diseño del panel delantero	75
Valores de referencia de temperatura	75
Valores de referencia de tiempo	75
Saltar entre menús.....	75
Mensajes de diagnóstico.....	75
Interruptor de inversión.....	75
Funciones	75
Interruptor de desconexión térmica	75
Funcionamiento preestablecido (Modelos con 1-2-3-4)	76
Ajuste de la temperatura y el tiempo	76
Programación del tiempo y la temperatura que se muestran como un ajuste preestablecido.....	77
Selección de un ajuste preestablecido.....	78
Cambio de la velocidad del transportador	78
Instrucciones de apagado del horno	78
Orientación de cocción	78

**Sección 4
Mantenimiento**

Mantenimiento preventivo	79
Limpieza diaria	79
Limpieza semanal.....	80

**Sección 5
Solución de problemas**

Lista de verificación para antes de llamar al servicio técnico.....	82
Interruptor de desconexión térmica para los componentes de la caja de control	82

Sección 1

Información general

Responsabilidad del comprador

Es responsabilidad del comprador:

1. Revisar que los servicios de gas y eléctrico del horno estén instalados en el lugar de acuerdo con las especificaciones del fabricante.
2. Descargar, sacar de la caja e instalar el horno en su ubicación adecuada y de acuerdo con el manual de instalación y operación.
3. Ver que un instalador calificado de su preferencia conecte correctamente los servicios de gas y eléctrico. Para instalar en el estado de Massachusetts: Un plomero o gasfiter con licencia debe realizar la instalación de este horno. Todas esas instalaciones se deben realizar de acuerdo con los requisitos de código correspondientes. Consulte la sección "Requisitos de instalación" para obtener información específica.
4. Coordinar una inspección y revisión de funcionamiento por parte de un técnico de servicio autorizado por la fábrica, como se describe a continuación:

No intente operar el horno hasta que un técnico de servicio autorizado por la fábrica o un representante de mantenimiento de Lincoln Foodservice Products, LLC haya inspeccionado completamente la conexión de los servicios públicos. Lincoln Foodservice Products, LLC exige este servicio para ayudar al comprador con el encendido adecuado del horno en el lugar de instalación. Observe los detalles específicos de la garantía y asegúrese de que se hayan realizado ciertas conexiones a los servicios públicos adecuados.

La garantía no se aplicará si los hornos se encienden y hacen funcionar antes de que un técnico de servicio autorizado por la fábrica o un representante de mantenimiento de Lincoln Foodservice Products, LLC revise e inspeccione las conexiones de servicios públicos y el horno.

Aviso

El mantenimiento y la limpieza general por parte del operador son fundamentales para el rendimiento del horno. No seguir las pautas mencionadas en este manual puede causar una falla en los componentes, lo que no está cubierto por la garantía.

REQUISITOS ADICIONALES

- Obtenga de su proveedor local de gas las instrucciones que se deben seguir en caso de detectar olor a gas y publíquelas en un lugar destacado.
- Se debe colocar el horno bajo una campana de ventilación para proporcionar un suministro de aire y ventilación adecuados.
- Se deben mantener los espacios mínimos respecto de todas las paredes y materiales combustibles. Consulte la sección "Requisitos de espacio" para obtener más información.
- Mantenga el horno libre y sin materiales combustibles.
- Se debe proporcionar un espacio libre adecuado para las aberturas de aire hacia la cámara de control de combustión en el lado derecho del horno.
- No obstruya los orificios de ventilación en los paneles de control, ya que estos proporcionan el aire de combustión para el quemador y el aire de enfriamiento para los controles.
- El horno se debe operar solo con el tipo de gas o electricidad que se muestra en la placa de especificaciones.
- El quemador no funcionará y no fluirá gas a través del quemador sin energía eléctrica.
- Se debe conservar este manual para referencia futura.
- El diagrama de cableado eléctrico está ubicado bajo las cubiertas de la caja de control.

EN AUSTRALIA: Consulte la norma AS 5601. Esta norma especifica los requisitos de tuberías, tiros, ventilación e instalación de equipos, asociados con el uso o el uso previsto de gases combustibles. Los requisitos de AS 5601 se deben usar en conjunto con los reglamentos legales que se puedan aplicar en cualquier área, pero no tendrán precedencia sobre ellos.

EN SUDÁFRICA: Solo un instalador registrado deberá llevar a cabo la instalación, y esta deberá cumplir con los requisitos de SANS 10087-1 o SANS 827, según corresponda.

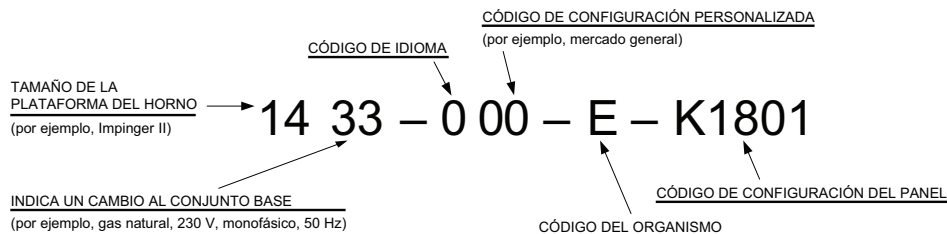
Todos los hornos requieren un servicio por separado y un neutro dedicado.

Conversión de presión de gas

Pulgadas de columna de agua	kPa	m-Bar	Milímetros de columna de agua
3,5	0,87	8,70	88,9
4,5	1,12	11,2	114,3
7	1,74	17,40	177,8
8	1,99	19,90	203,2
9,2	2,29	22,90	233,7
10	2,48	24,87	254,0
10,5	2,61	26,11	266,7
11	2,73	27,36	279,4
14	3,48	34,81	355,6
14,5	3,61	36,05	368,3

Clave del número de modelo

Ejemplo: 1433-000-E-K1801



Código de idioma

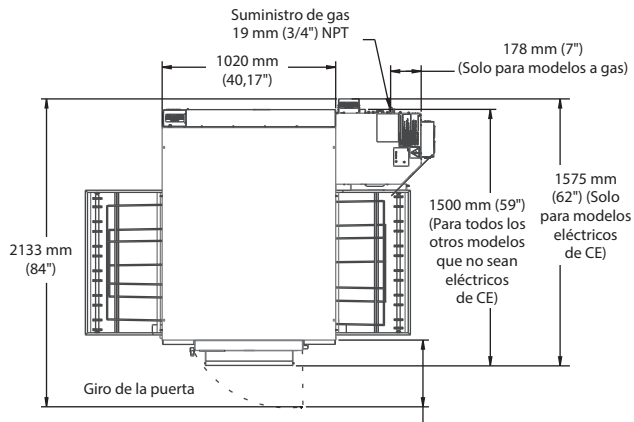
Código	Idioma	País
0	Inglés	Nacional e internacional predeterminado
B	Francés	CE – Francia/Luxemburgo
C	Alemán	CE – Alemania
D	Italiano	CE – Italia
E	Español	CE – España
F	Inglés	CE – Reino Unido/India/África/Hungría
G	Español	México/Latinoamérica
H	Portugués	CE – Portugal
I	No se usa	---
J	Danés	CE – Dinamarca
K	Holandés y francés	CE – Bélgica
L	Holandés	CE – Países Bajos
M	Griego	CE – Grecia
N	Finlandés	CE – Finlandia
O	Restringido	---
P	Noruego	CE – Noruega
Q	Inglés	Japón
R	Sueco	CE – Suecia
S	Inglés	Australia
T	Mandarín	China
U	Restringido	---
V	Inglés	Cuenca del Pacífico/Corea
W	Inglés	Medio Oriente/África
X	No se usa	---
Y	No se usa	---
Z	No se usa	---

Código del organismo

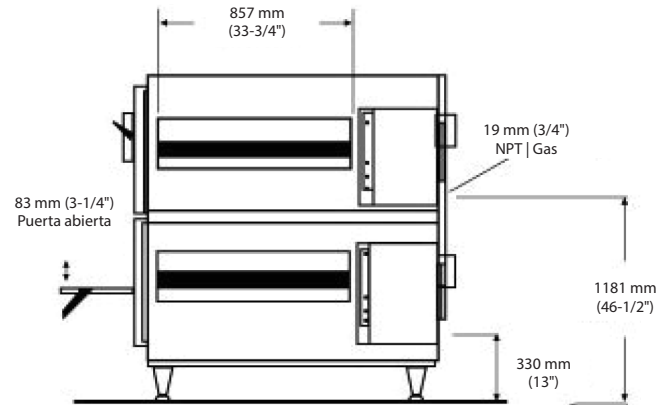
Código	Organismo
N	Sin organismo
E	Cumplimiento con CE y RoHS
U	Cumplimiento solo con EE. UU./Canadá
A	Horno tipo Advantage
B	Australia AGA

Sección 2 Instalación

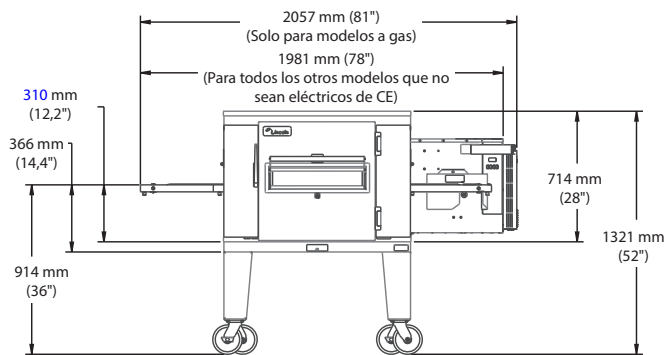
Dimensiones exteriores: 1400



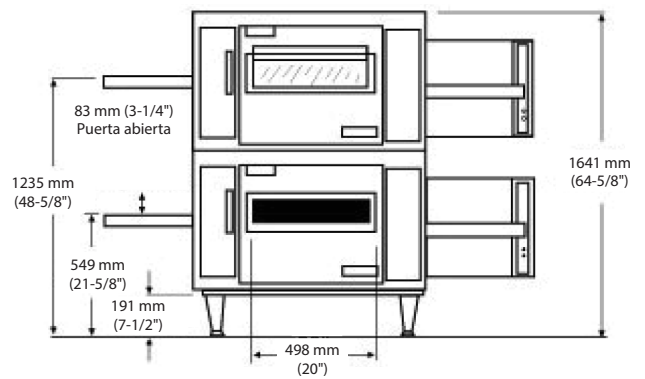
1400 Vista superior, todas las configuraciones de apilado



1400 Doble, ruedas de 102 mm (4"), vista derecha



1400 Estructura de soporte alta, simple, ruedas de 152 mm (6"), vista delantera



Se muestra con la puerta de acceso de vidrio abierta

1400 Doble, ruedas de 102 mm (4"), vista delantera

Especificaciones: Modelos con calefacción a gas

Servicio eléctrico: Todos los modelos con calefacción a gas

	Voltaje (CA)	Fase
Hornos de 60 Hz	120	1
Hornos de 50 Hz	230/240	1

Aviso

No instale los hornos en ningún área con una temperatura ambiente superior a 35 °C (95 °F). Si lo hace la unidad se dañará.

Información general: Hornos a gas 1400

*Modelo	Energía	Alimentación	Voltaje	Corriente	Fase	Hz	Especificaciones eléctricas recomendadas	Gas
1433-xxx-E-Kxxx	Gas nat.	Hs 34,8 kW	230 V CA	3 amperios	1	50 Hz	3 hilos, 1 polo 1N-1G	H ₂ 34,8 kW/h a 17,4 mB columna de H ₂ O** 3,88 m ³ /h
1434-xxx-E-Kxxx	Gas licuado	Hs 40 kW	230 V CA	3 amperios	1	50 Hz	3 hilos, 1 polo 1N-1G	H ₂ 40 kW/h a 27,4 mB columna de H ₂ O** 1,14 m ³ /h
1440-xxx-E-Kxxx	Gas nat.	35 kW	120 V CA	3 amperios	1	60 Hz	3 hilos, 1 polo 1N-1G	35 kW/h a 27,4 mB columna de H ₂ O**
1441-xxx-E-Kxxx	Gas licuado	35 kW	120 V CA	3 amperios	1	60 Hz	3 hilos, 1 polo 1N-1G	35 kW/h a 27,4 mB columna de H ₂ O**
1444-xxx-U-Kxxx	Gas nat.	120.000 BTU	120 V CA	5 amperios	1	60 Hz	3 hilos, 1 polo 1N-1G	120.000 BTU a 178 mm (7 pulgadas) columna de H ₂ O**
1446-xxx-N-Kxxx	Gas nat.	120.000 BTU	220/230 V CA	5 amperios	1	50 Hz	3 hilos, 1 polo 1N-1G	120.000 BTU @ 1,7 kPa
1447-xxx-N-Kxxx	Gas licuado	120.000 BTU	220 V CA	3 amperios	1	60 Hz	3 hilos, 1 polo 1N-1G	120.000 BTU a 279 mm (11 pulgadas) columna de H ₂ O**
1450-xxx-U-Kxxx	Gas nat.	120.000 BTU	120 V CA	5 amperios	1	60 Hz	3 hilos, 1 polo 1N-1G	120.000 BTU a 178 mm (7 pulgadas) columna de H ₂ O**
1451-xxx-U-Kxxx	Gas licuado	120.000 BTU	120 V CA	5 amperios	1	60 Hz	3 hilos, 1 polo 1N-1G	120.000 BTU a 279 mm (11 pulgadas) columna de H ₂ O**
1456-xxx-B-Kxxx	Gas nat.	120.000 BTU	220/240 V CA	5 amperios	1	50 Hz	3 hilos, 1 polo 1N-1G	120.000 BTU a 178 mm (7 pulgadas) columna de H ₂ O**
1457-xxx-B-Kxxx	Gas licuado	120.000 BTU	220/240 V CA	5 amperios	1	50 Hz	3 hilos, 1 polo 1N-1G	120.000 BTU a 279 mm (11 pulgadas) columna de H ₂ O**
1474-xxx-E-Kxxx	Gas nat.	35 kW	220 V CA	3 amperios	1	50 Hz	3 hilos, 1 polo 1N-1G	35 kW/h a 27,4 mB columna de H ₂ O**

* Clave del número de modelo de referencia, Sección 1

Tabla de conversión de presión de gas

Pulgadas de columna de agua	kPa	m-Bar	Milímetros de columna de agua
3,5	0,87	8,7	88,9
4,5	1,12	11,2	114,3
7	1,74	17,4	177,8
10	2,48	24,87	254,0
10,5	2,61	26,11	266,7
11	2,73	27,36	279,4
14	3,48	34,81	355,6
14,5	3,61	36,05	368,3

Suministro eléctrico para hornos a gas 3240 en Australia:

Monofásico: 240 V CA, 50 Hz / 20 A: uno neutro y otro tierra/ conexión a tierra.

NOTA: En Australia, use un tomacorriente para uso general de 10 A.

Todos los hornos requieren un neutro dedicado y de servicio separado.

Especificaciones

Cuerpo: Acero inoxidable	Alimentación: Gas o eléctrica
Nivel de DB: ≤ 71 dba	Rango de la temperatura de funcionamiento: 149 °C a 316 °C (300 °F a 600 °F)

NOTA: Para obtener un funcionamiento correcto, la válvula de gas requiere una presión de admisión nominal de 178 mm (7") de columna de H₂O para gas natural y 279 mm (11") de columna de H₂O para gas licuado. Se debe mantener una presión de admisión mínima de 25 mm (1") de H₂O sobre el ajuste del distribuidor (distribuidor de gas nat. 89 mm (3,5") de H₂O, distribuidor de gas licuado 254 mm (10") de H₂O) sin disminución de presión desde la condición sin carga a la de carga completa. La presión de admisión máxima se debe mantener en un valor igual o inferior a 3,45 kPa [1/2 psig] [columna de H₂O de 368 mm (14,5")] Consulte la tabla a la izquierda para conocer las conversiones de presión.

Especificaciones: Modelos con calefacción eléctrica

Especificaciones de servicios públicos requeridas: Eléctricas

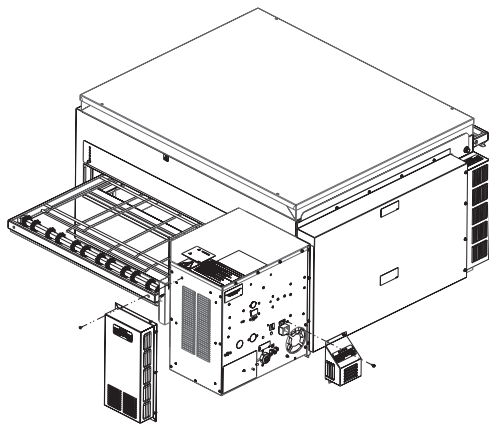
*Modelo	Energía	Alimentación	Voltaje	Corriente	Fase	Hz	Especificaciones eléctricas recomendadas
1421-xxx-E-Kxxx	Eléctrica	27 kW	400/230 V	40 A	3	50 Hz	5 hilos, 3 polos 1N-1G
1452-xxx-U-Kxxx	Eléctrica	27 kW	120/208 V	80 A	3	60 Hz	4 hilos, 3 polos 1G
1453-xxx-U-Kxxx	Eléctrica	27 kW	120/240 V	70 A	3	60 Hz	4 hilos, 3 polos 1G
1454-xxx-N-Kxxx	Eléctrica	27 kW	380Y/220	41 A	3	50 Hz	5 hilos, 3 polos 1N-1G
1455-xxx-N-Kxxx	Eléctrica	27 kW	415Y/240	38 A	3	50 Hz	5 hilos, 3 polos 1N-1G
1458-xxx-E-Kxxx	Eléctrica	27 kW	400	38 A	3	50 Hz	5 hilos, 3 polos 1N-1G

Suministro eléctrico para hornos eléctricos 3240 en Australia:

Monofásico: 240 V CA, 50 Hz / 20 A; uno neutro y otro tierra/conexión a tierra.

Trifásico: 240/415 V CA / 20 A; tres activos, uno neutro y otro tierra/conexión a tierra.

Todos los hornos requieren un servicio por separado y un neutro dedicado.



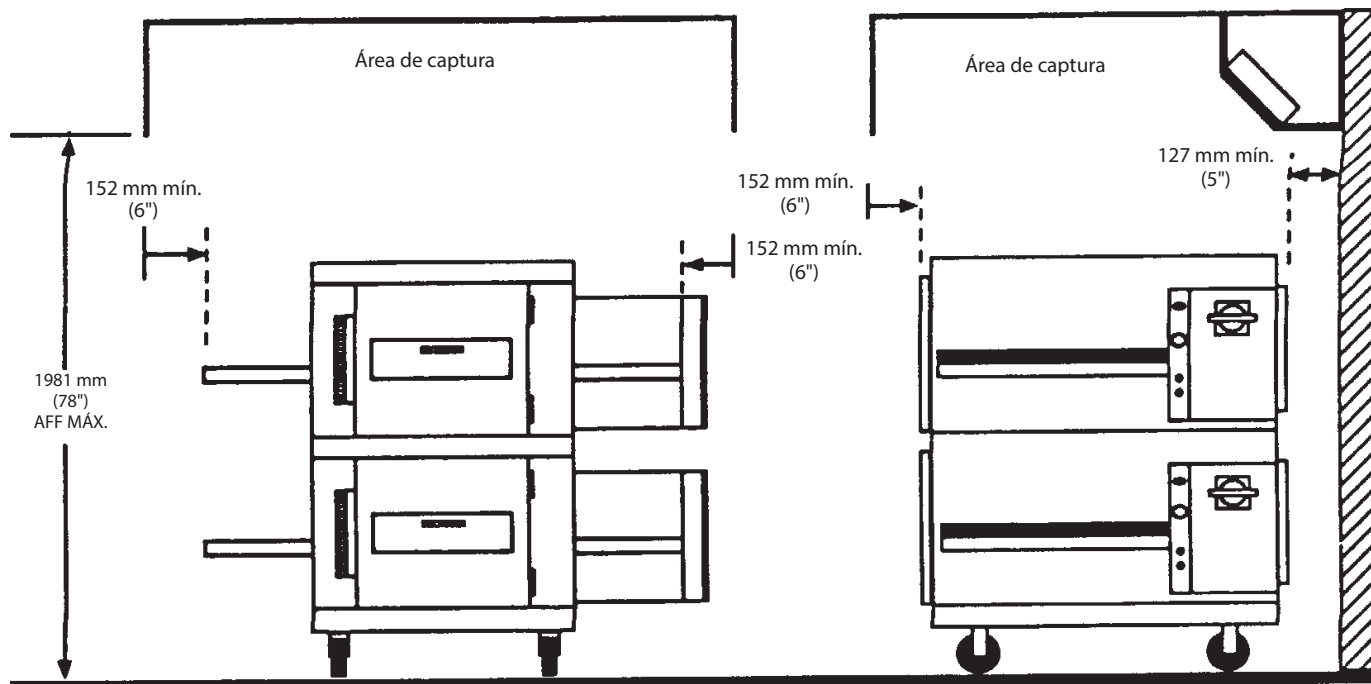
⚠ Advertencia

Estas cubiertas se DEBEN instalar en los hornos eléctricos 1400 de 50 Hz. Es ilegal y potencialmente peligroso hacer funcionar un horno eléctrico de 50 Hz (cualquier horno eléctrico 1400 con la marca CE) sin estas cubiertas instaladas. No hacerlo provocará un problema de responsabilidad civil en el caso de un accidente.

Aviso

No instale los hornos en ningún área con una temperatura ambiente superior a 35 °C (95 °F). Si lo hace la unidad se dañará.

Recomendaciones de ventilación de la cubierta



AFF = Sobre piso terminado (Above Finished Floor, en inglés)

NOTA: El dibujo que se muestra es de una instalación típica y está diseñado como pauta. No son especificaciones rígidas. El posicionamiento y las dimensiones de la campana sobre el horno variarán según los fabricantes de las campanas.

NOTA: Lincoln puede proporcionar hojas de especificaciones del horno que muestran las dimensiones de este, las clasificaciones de kW o BTU y otra información que será útil tanto para el proveedor de la campana de ventilación como para el contratista del sistema de calefacción, ventilación y aire acondicionado.

Requisitos de instalación

⚠ PELIGRO

Se deben mantener todas las conexiones y los accesorios conforme a los códigos locales y nacionales.

REQUISITOS DEL CÓDIGO DE GAS

⚠ PELIGRO

Solo personal de servicio o instalación autorizado, calificado y con licencia debe realizar la conversión de este equipo de un tipo de gas a otro. La conversión sin los componentes adecuados puede provocar un incendio o una explosión.

⚠ Advertencia

Se debe instalar una válvula de corte manual en la tubería de suministro (servicio) de gas aguas arriba de este equipo y en una posición donde se puede alcanzar rápidamente en el caso de una emergencia.

El funcionamiento correcto y seguro de este horno depende en gran medida de su instalación adecuada, la cual se debe realizar conforme a los códigos de gas combustible nacionales, ANSI Z223.1/NFPA 54, última versión, las instrucciones de instalación del fabricante y los códigos de construcción municipales locales.

1. El horno y su válvula de corte individual se deben desconectar del sistema de tuberías de suministro de gas durante cualquier prueba de presión de dicho sistema, a presiones de prueba superiores a 3,45 kPa (1/2 psig).
2. Se debe cerrar la válvula de corte manual individual del horno para aislarlo del sistema de tuberías de suministro de gas durante cualquier prueba de presión de dicho sistema, a presiones de prueba iguales o inferiores a 3,45 kPa (1/2 psig).

EN MASSACHUSETTS: Un plomero o gasfiter con licencia debe realizar la instalación de este horno. Todas esas instalaciones se deben realizar de acuerdo con los requisitos de código correspondientes. Consulte la sección "Requisitos de instalación" para obtener información específica.

La longitud mínima de la manguera flexible de suministro de gas es 914 mm (36").

EN CANADÁ: La instalación de estos aparatos se debe realizar conforme a la última versión del Código de Instalación de Gas Natural y Propano, CSA B.149.1 y los códigos locales.

EN AUSTRALIA: La instalación se debe realizar conforme al Código de Instalación de Gas AS 5601-2004 y 4563-2004.

EN SUDÁFRICA: La instalación se debe realizar conforme a la norma SANS 10087-1 o SANS 827, según corresponda.

NOTA: En el caso de que se requiera verificar la llama piloto, puede utilizar un espejo pequeño.

Si se proporcionan servicios flexibles, estos deben cumplir los requisitos del código para dicha instalación.

REQUISITOS DEL CÓDIGO ELÉCTRICO

⚠ Advertencia

Este equipo se debe conectar a tierra y todo el tendido de cables debe estar en conformidad con todos los códigos locales y nacionales pertinentes. Consulte la placa de clasificaciones para conocer el voltaje adecuado. Es responsabilidad del usuario final proporcionar los medios de desconexión para cumplir con lo indicado por la autoridad que tiene jurisdicción.

⚠ Advertencia

Este equipo debe estar ubicado de tal forma que sea posible alcanzar el enchufe, a menos que se proporcionen otros medios de desconexión de la fuente de alimentación (por ejemplo, un disyuntor o un interruptor de desconexión).

Cuando se instale, este equipo se debe conectar a tierra eléctricamente y su instalación debe cumplir el Código Eléctrico Nacional, ANSI-NFPA 70, última versión, las instrucciones de instalación del fabricante y los códigos de construcción municipales locales pertinentes.

EN CANADÁ: Todas las conexiones eléctricas se deben realizar en conformidad con el Código Eléctrico Canadiense, última versión de CSA C22.2 y los códigos locales.

RESTO DE LOS PAÍSES: Regirán los códigos eléctricos o de gas locales.

1. Se proporciona una protección contra los tirones con cada horno. Los distribuidores internacionales proporcionan los enchufes y cables de alimentación correspondientes para cada cliente.
2. El interruptor de desconexión de todos los polos debe tener una distancia de contacto abierta de 3 mm.
3. En la parte posterior se proporciona una lengüeta de tierra de conexión de igual potencial para evitar descargas eléctricas. Esto permite que los hornos se conecten a un sistema de conexión a tierra externo.
4. Si se usa como un apilado doble o triple y cada horno posee su propio interruptor de desconexión, todos los interruptores deben estar juntos.

REQUISITOS DE ESPACIO

▲ Advertencia

Para evitar la inestabilidad del equipo, el área de instalación debe tener la capacidad de soportar el peso del producto y del equipo juntos. Además, se debe nivelar el equipo de lado a lado y de adelante hacia atrás.

Debe haber un espacio libre de 127 mm (5") entre el horno y cualquier superficie combustible. En el caso de que otro equipo se encuentre al lado derecho del horno, se requiere un espacio libre mínimo de 609 mm (24") entre el horno y el equipo.

PARA TODOS LOS HORNOS: Debe haber un espacio libre de 609 mm (24") en la parte posterior del horno para el acceso para mantenimiento.

PARA HORNOS INSTALADOS DE FORMA PERMANENTE: Un horno instalado de forma permanente (inmóvil) requiere un espacio libre mínimo de 4 m (13') en el lado derecho, para permitir el retiro, la limpieza y el mantenimiento del transportador.

NOTA: No instale estos hornos en ningún área con una temperatura ambiente superior a 35 °C (95 °F). Si lo hace la unidad se dañará.

REQUISITOS DE VENTILACIÓN

SE REQUIERE UNA VENTILACIÓN: Rigen los códigos locales. Estos son la "autoridad que tiene jurisdicción" como lo señala la NATIONAL FIRE PROTECTION ASSOCIATION, INC. en la última versión de la norma NFPA 96. Adicionalmente, para cumplir lo indicado en la norma NFPA 54 sección 10.3.5.2, esta unidad se debe instalar con un interbloqueo de campana de ventilación, que evite el funcionamiento del equipo cuando la campana de ventilación esté apagada. Consulte a continuación para obtener más información acerca de la ventilación.

Pautas de ventilación

Se requiere una campana de ventilación para eliminar el calor y los olores de cocción. En el caso de los hornos a gas, también se requiere una campana de ventilación para eliminar los productos de la combustión. La instalación de la campana y del sistema de calefacción, ventilación y aire acondicionado debe cumplir los códigos locales para obtener la aprobación de la autoridad que tiene jurisdicción. Los requisitos pueden variar en todo el país según la ubicación por ciudad, provincia o condado y estado. Solicite información a la autoridad que tiene jurisdicción para determinar los requisitos para su instalación. (NOTA: Este horno se considera como de "servicio medio para horneado" cuando se evalúa el cumplimiento de los requisitos de ventilación del código). Obtenga información y revise copias de los códigos o documentos que se usarán para inspeccionar y aprobar su instalación. Se debe contactar al proveedor de la campana de ventilación y al contratista del sistema de calefacción, ventilación y aire acondicionado para obtener orientación. Una campana de ventilación y un sistema de calefacción, ventilación y aire acondicionado correctamente diseñados e instalados facilitará la aprobación y reducirá los costos de mantenimiento del horno. El dueño del horno es responsable de proporcionar una ventilación correcta.

La campana de ventilación debe funcionar en armonía con el sistema de calefacción, ventilación y aire acondicionado del edificio. Normalmente requiere un escape de entre 45,3 y 79,2 m³/min (1200 y 3500 ft³/min) o más con 70 % de aire de reposición. (La "eficiencia" de varios diseños de campana hace que sea necesario especificar un rango de m³/min tan amplio). El aire de reposición se debe proporcionar mediante un diseño de campana o un sistema de calefacción, ventilación y aire acondicionado. Esto variará con las campanas de los distintos fabricantes.

Aviso

Evite el flujo de aire por el túnel de cocción. El aire NO se debe dirigir sobre la parte delantera del horno o al costado del área de cocción o hacia la parte posterior del horno.

Sistema de ventilación

NOTA: Estos hornos se consideran como de "servicio medio para horneado" cuando se evalúa el cumplimiento de los requisitos de ventilación del código.

Esta información se muestra como una pauta para la ventilación.

1. Las dimensiones que se muestran son para hornos sin repisas de extensión. El extremo exterior del bastidor del transportador debe estar como mínimo a 152 mm (6") al interior de la cubierta, como se muestra.
2. La velocidad de captura a lo largo del borde inferior de la cubierta debe ser de 15 m/min (50 ft/min) en los costados y la parte delantera.
3. Use filtros en el área de escape posterior de la campana, como se muestra.
4. En el arranque, se debe revisar el nivel de CO alrededor del espacio del horno, debajo de la cubierta.
5. Este nivel debe ser < 10 ppm.
6. Los hornos se deben centrar en el espacio de la cubierta de izquierda a derecha y desde adelante hacia atrás, si es posible.
7. Se recomienda un espacio de 127 mm (5") en la parte posterior del horno para los servicios públicos.
8. Se recomienda un 70 % de aire de reposición proporcionado al exterior de la cubierta, a través de difusores metálicos perforados orientados hacia abajo: no hacia el horno, ubicado en la parte delantera, los costados o ambos.
9. Los difusores de aire ambiente no se deben dirigir sobre el horno y se deben posicionar a una distancia mínima de 914 mm (3') respecto del perímetro de la campana, para evitar que afecten al horno.

REQUISITOS DE SUJECIÓN: TODOS LOS HORNOS SOBRE RUEDAS

⚠ PELIGRO

Las patas o las ruedas se deben instalar y atornillar completamente para evitar que se doblen. Cuando se instalen las ruedas, el peso de esta unidad hará que se mueva sin control en una superficie inclinada. Estas unidades, cuando estén conectadas de forma permanente, se deben fijar o embridar para cumplir con todos los códigos correspondientes, de tal manera que no se transmita la tensión hacia el conducto de suministro eléctrico.

- La instalación se debe realizar con un conector de gas que cumpla la Norma para Conectores de Equipos a Gas Móviles, ANSI Z21.69 última versión, y un dispositivo de desconexión rápida que cumpla la Norma para Dispositivos de Desconexión Rápida para Uso con Gases Combustibles, ANSI Z21.41 última versión.

EN CANADÁ: La instalación se debe realizar con un conector de gas que cumpla el código canadiense CSA 6.16 última versión y dispositivos de desconexión rápida que cumplan el código canadiense CSA 6.9 última versión.

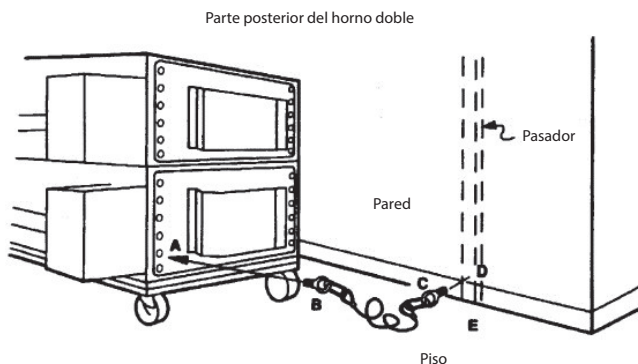
EN AUSTRALIA: La instalación se debe realizar conforme al Código de Instalación de Gas AS 5601-2004 y 4563-2004.

- La instalación de la sujeción debe limitar el movimiento de los hornos sin depender del conector, el dispositivo de desconexión rápida o sus tuberías asociadas para limitar el movimiento del horno.
- Si la sujeción se debe desconectar durante el mantenimiento o la limpieza, esta se debe volver a conectar después de volver a colocar el horno en su posición de instalación original.

Procedimiento

- Atornille la argolla de izada "B" del conjunto de cable en el orificio "A".
- Atornille el cáncamo "C" del conjunto de cable en el montante de la pared "D" o el anclaje de piso "E".

NOTA: El punto de instalación es el mismo para hornos simples o apilados.



Instalación

Las siguientes instrucciones fueron diseñadas como una guía para la preparación de la instalación de los hornos transportadores Impinger® serie 1400. Antes de nada, cada caja se debe examinar antes de firmar el conocimiento de embarque para informar sobre cualquier daño visible ocasionado por el camionero durante el transporte y contabilizar la cantidad correcta de cajas.

DESCARGA

Cuando llega el horno, este debe constar de:

- Una caja con el cuerpo del horno, el transportador, los distribuidores de calor, las bandejas para migas y los topes de bandejas. (Algunos modelos pueden traer el transportador embalado por separado).
- Un paquete con la estructura de soporte y parte superior.

Se recomienda disponer de un dispositivo de manipulación de materiales para la descarga.

¡NO LEVANTE EXCESO DE PESO!

SI HAY DAÑOS APARENTES:

ESTADOS UNIDOS Y CANADÁ: Se deben tomar las medidas para presentar una reclamación contra el transportista, ya que las normas de comercio interestatales exigen que el consignatario inicie una reclamación.

TODOS LOS ENVÍOS HACIA OTROS PAÍSES: Las condiciones del flete se desarrollarán y extenderán caso a caso.

Se deben disponer instalaciones de almacenamiento adecuadas y seguras para los hornos. Si es necesario, siempre protéjalos de las condiciones húmedas y exteriores antes de la instalación.

DESEMBALAJE

Después de descargar todas las cajas, ábralas y retire las cubiertas plásticas. Inspeccione de inmediato si hay daños ocultos. Si algo parece estar dañado, comuníquese inmediatamente con las personas adecuadas para presentar una reclamación. Después de completar esta inspección, termine de desembalar el horno y el resto de los componentes. Asegúrese de retirar el cartón del recubrimiento de la cámara impelente. Traslade todos los componentes al interior cerca del área de montaje, en el orden en el cual se van a montar.

EL HORNO SE DESPEJARÁ A TRAVÉS DE UNA ENTRADA DE 762 mm (30") MEDIANTE EL USO DEL SIGUIENTE PROCEDIMIENTO:

- Retire el transportador; consulte la sección "Limpieza semanal" para obtener instrucciones. (Algunas unidades pueden traer el transportador embalado por separado).
- Retire los tornillos de apriete manual y el deflector del lado izquierdo del horno.

Aviso

No levante los hornos con la caja de control. Levante solamente desde la cavidad principal del horno. Se pueden producir daños en los controles del horno si se levanta por la caja de control.

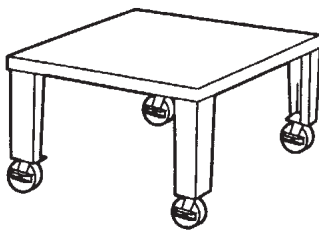
Desembale la unidad. Retire todos los componentes de los distribuidores de calor y el transportador. La unidad se puede colocar en el lado izquierdo (opuesto a la caja de control) en una plataforma móvil de cuatro ruedas y despejará una entrada de 762 mm (30").

Instalación de la válvula de gas manual

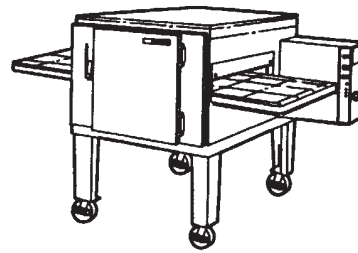
Cuando instale la válvula de gas que se proporciona con el horno, se recomienda colocar primero un codo en la tubería del horno. Esto permitirá conectar la manguera flexible en una dirección hacia abajo y así eliminar las posibles tensiones en la manguera.

Conjunto de distribuidor de calor y estructura de soporte

CONJUNTOS DE ESTRUCTURA DE SOPORTE



1. La estructura de soporte es un rectángulo de 1016 mm x 1245 mm (40" x 49"). Ajústela en su lugar con el lado de 1016 mm (40") orientado hacia afuera. Esta será la parte delantera del horno. Con un nivel de carpintero, nivele los cuatro (4) lados de la estructura de soporte. Use los reguladores de patas para subir o bajar la estructura de soporte. Los hornos sobre ruedas requieren un piso nivelado. **NOTA:** La parte superior del horno está embalada con la estructura de soporte del mismo. Retire la parte superior de la estructura de soporte antes del montaje.



2. Retire el horno de la plataforma móvil y ajústelo en la estructura de soporte. El panel de control debe estar en la parte posterior derecha cuando usted mire el horno. Asegúrese de que el horno se apoye de lleno en la estructura de soporte y se ajuste completamente. En el caso de un horno simple, instale la parte superior. En el caso de un horno doble, consulte el paso 3.



3. Si compró un horno apilado doble, coloque el segundo horno en la parte superior del primer horno. Asegúrese de que se apoye de lleno y se ajuste completamente. El panel de control va en la parte posterior derecha. Ahora instale la parte superior del horno.

INSTRUCCIONES DE APILADO

Las unidades del modelo de la serie 1400 se pueden montar en un horno de la serie 1000 (Impinger® I) o 1200 (Impinger® III) junto con una tapa del tiro, pieza n.º 1465, en la unidad inferior. Gracias a que las unidades de la serie 1400 no tienen tiro, se pueden montar debajo de un horno Impinger® I o III sin una extensión de tiro. Las unidades de la serie 1400 no están aprobadas para montaje con, sobre o debajo de cualquier equipo, con excepción del caso previamente indicado.

CONJUNTOS DE DISTRIBUIDORES DE CALOR

1. Antes de instalar los soportes de retención en los hornos, asegúrese de que se haya retirado todo el material de embalaje del recubrimiento de la cámara impelente. Coloque boca abajo los soportes de retención del distribuidor de calor para instalarlos y enganche el pasador de retención como se muestra. **(Consulte la Figura 1).**
2. Gire los soportes del distribuidor de calor hasta que las muescas en los soportes se ajusten en los pasadores de retención. **(Consulte la Figura 2).**
3. Monte los distribuidores de calor como se muestra en las **Figuras 3 y 4.**
4. Inserte la placa reguladora de calor, de modo que el peldaño quede bajo el reborde de la carcasa del distribuidor de calor, y que la placa quede a ras con el borde lateral de la carcasa.
5. Deslice la cubierta en el extremo pequeño para instalarla. **(Consulte la Figura 5).**

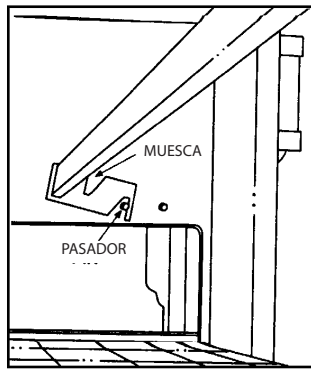


Figura 1

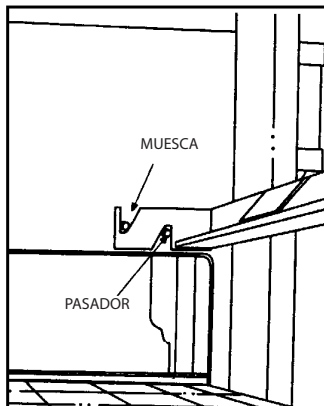


Figura 2

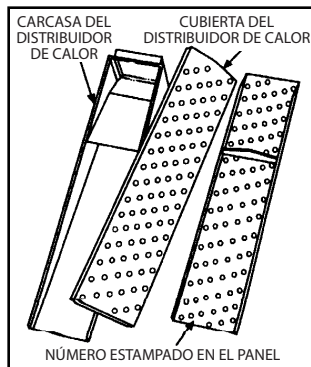


Figura 3

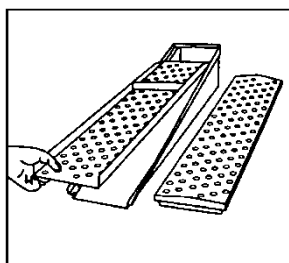


Figura 4

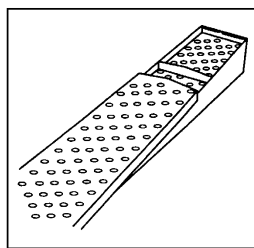


Figura 5

6. Inserte el distribuidor de calor montado por la abertura de la puerta, comenzando por el lado izquierdo inferior. **NOTA:** El cliente **DEBE** indicarle en qué posición se va a colocar el distribuidor de calor montado para la aplicación.
7. Deslice el distribuidor de calor sobre la brida de la cámara impelente para instalarlo en el horno y ajuste el soporte delantero. **(Consulte las Figuras 6 y 7).** **ASEGÚRESE DE QUE EL DISTRIBUIDOR DE CALOR SE AJUSTE DE LLENO SOBRE LAS BRIDAS DE LA CÁMARA IMPELENTE Y QUE LOS ORIFICIOS APUNTEN EN LA DIRECCIÓN CORRECTA.** Los distribuidores de calor superiores apuntan hacia abajo y los superiores hacia arriba. **(Consulte la Figura 8).**
8. Repita el paso 7 hasta que los ocho (8) distribuidores de calor estén instalados.
9. Instale el transportador y las bandejas para migas antes del funcionamiento. Consulte "Limpieza semanal" en la Sección 4 para obtener instrucciones.

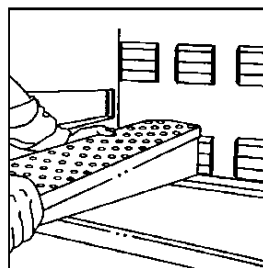


Figura 6

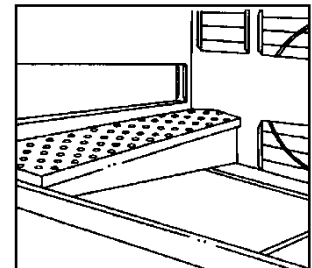


Figura 7

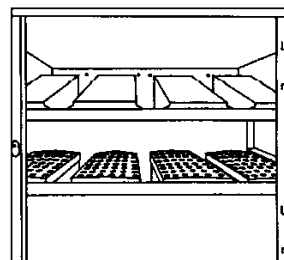
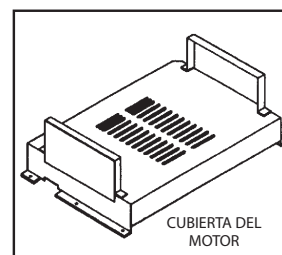
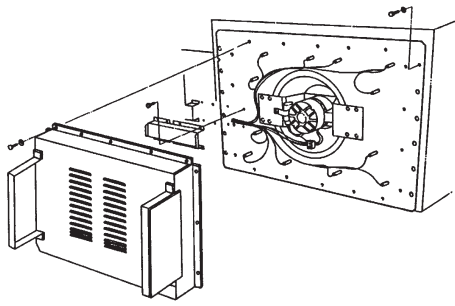


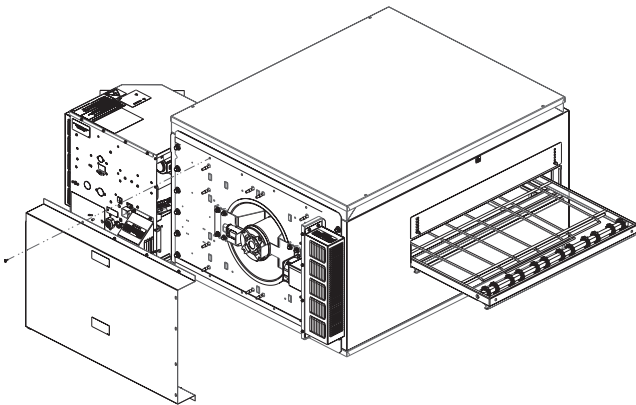
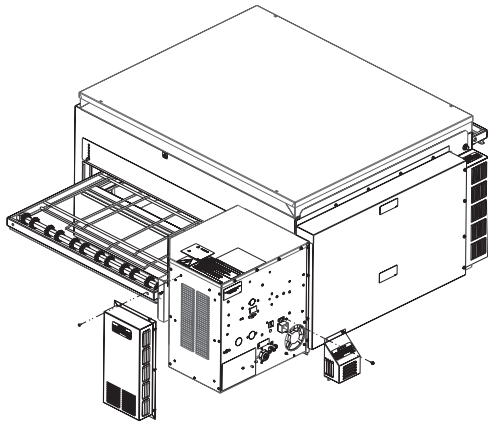
Figura 8

10. Instale la cubierta del motor como se muestra con los pernos proporcionados.





1400 a gas y eléctrico de 60 Hz



Eléctrico de CE de 50 Hz

ELÉCTRICO DE CE DE 50 HZ

⚠ Advertencia

Estas cubiertas se **DEBEN** instalar en hornos eléctricos de 50 Hz. Es ilegal y potencialmente peligroso hacer funcionar un horno eléctrico de 50 Hz (cualquier horno eléctrico con la marca CE) sin estas cubiertas instaladas. Si no se instalan, se puede provocar un accidente.

Lista de verificación para la instalación

⚠ PELIGRO

Revise todas las conexiones de cableado, incluso los terminales de fábrica, antes de hacer funcionar el equipo. Las conexiones se pueden soltar durante el envío y la instalación.

⚠ Advertencia

Después de completar cualquier trabajo de instalación o mantenimiento, revise si hay fugas de gas antes de volver a poner el equipo en funcionamiento. Nunca use fósforos, velas o cualquier otra fuente de encendido para revisar si hay fugas. Si se detecta olor a gas, cierre el suministro de gas hacia el equipo en la válvula de corte principal y comuníquese inmediatamente con la compañía de gas local o una agencia de mantenimiento autorizada para solicitar mantenimiento.

NO INTENTE HACER FUNCIONAR EL HORNO hasta que un técnico de servicio autorizado por la fábrica (FAS, por sus siglas en inglés) o un representante de mantenimiento de Lincoln Foodservice Products, LLC, haya inspeccionado completamente la instalación y la conexión de servicio de los servicios públicos (VERIFICACIÓN EN EL ARRANQUE). Lincoln Foodservice Products, LLC, exige este servicio para garantizar que el horno esté bien instalado y que funcione correctamente. La garantía entra en vigencia después de la verificación de la instalación correcta.

La garantía no se aplicará si el horno se arranca y hace funcionar antes de que un técnico de servicio autorizado por la fábrica o un representante de mantenimiento de Lincoln Foodservice Products, LLC, realice la "VERIFICACIÓN EN EL ARRANQUE".

LISTA DE VERIFICACIÓN

- ¿Se mantienen los espacios libres correctos?
- ¿El sistema de ventilación cumple los requisitos?
- ¿Las patas y ruedas están firmemente fijadas?
- ¿La unidad está nivelada?
- ¿Se instaló la sujeción para evitar movimientos sin control?
- ¿Se realizaron todas las conexiones eléctricas y la unidad está conectada a tierra?
- ¿Cada horno tiene un interruptor de desconexión independiente?
- ¿Se revisaron todas las conexiones del cableado, incluidas las conexiones de fábrica?

- ¿Se probó el voltaje de suministro y se verificó que coincida con el voltaje de la placa de identificación?
- ¿Se instaló la válvula de corte en la tubería de gas adelante de la unidad?
- ¿Se ajustó la presión de gas del distribuidor para que coincida con la clasificación que se indica en la placa de identificación?
- ¿Se probó si hay fugas en todas las conexiones de gas?
- ¿Los conjuntos de distribuidores de calor y soportes de retención están correctamente instalados y posicionados?
- ¿Es correcta la tensión de la correa?
- ¿Se instalaron y fijaron los paneles de acceso?
- ¿Se realizó la prueba con vela de humo para verificar la captura de la campana?
- ¿Se probó el correcto funcionamiento de la unidad?
- ¿El dueño recibió instrucciones para la correcta operación de la unidad?
- ¿Se ha entregado este manual al dueño de la tienda?
- Para CE Electric: ¿Las cubiertas se instalaron correctamente según lo exige la aprobación de CE, antes de hacer funcionar este horno?

Procedimientos de arranque

PRUEBA CON VELA DE HUMO: VERIFICACIÓN DEL SISTEMA DE VENTILACIÓN

Se realizará una prueba con vela de humo para evaluar el rendimiento durante la verificación en el arranque. La campana debe capturar todo el humo desde el horno. Esto es necesario para garantizar un correcto rendimiento del horno y eliminar las llamadas de servicio técnico adicionales que se presentan cuando las temperaturas ambiente son demasiado altas. Siempre, la temperatura ambiente alrededor del horno debe ser inferior a 35 °C (95 °F) cuando la unidad esté en funcionamiento. En ciertas localidades, se requerirán otros métodos gaseosos o químicos de detección de captura adecuada para cumplir lo indicado por la autoridad del código local.

Configuración del horno para esta prueba:

- Esta prueba se debe realizar en el horno inferior de un sistema de varios hornos o de un solo horno.
- Se debe retirar el transportador.
- La temperatura del horno se debe ajustar y debe funcionar a 288 °C (550 °F).

Procedimiento de prueba:

NOTA: Use la vela de humo Lincoln N.º 369361 (en Australia se puede utilizar un método de coloración de aire alternativo).

1. Use guantes termorresistentes para evitar quemaduras en las manos.
2. Coloque la vela de humo en un molde para pasteles de aproximadamente 200 mm x 200 mm x 50 mm (8" x 8" x 2") de profundidad o uno equivalente.
3. Abra la ventana de acceso opcional en la puerta del horno o inserte la vela por la abertura del transportador.
4. Encienda la mecha de la vela de humo y coloque inmediatamente el molde y la vela en el centro de la cavidad del horno, en la correa transportadora. (Cierre la puerta o ventana de acceso).
5. Observe el patrón del humo que sale de las aberturas del horno y cómo el sistema de ventilación recolecta este humo.
6. El sistema de ventilación debe capturar todo el humo del horno.

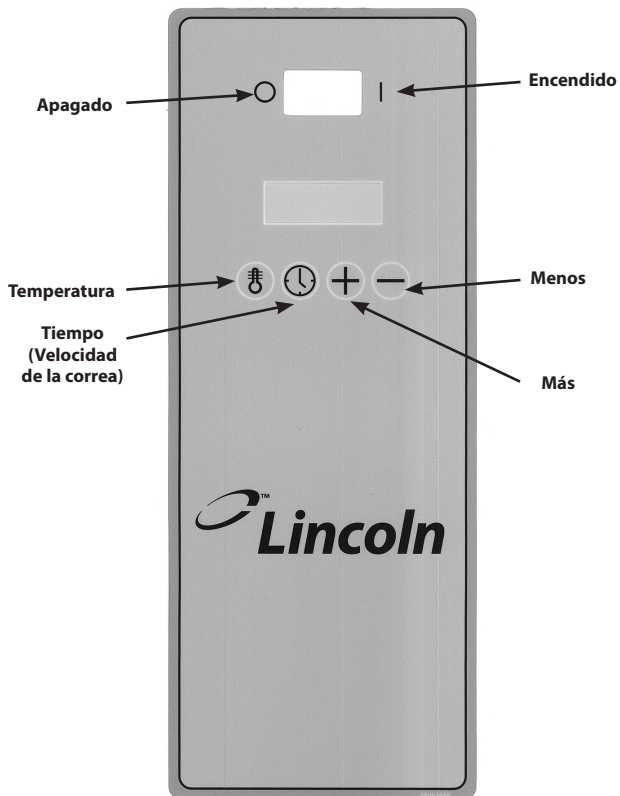
Atención

En el caso de los hornos a gas 1400, use dos llaves para tubos cuando conecte los hornos a la tubería de gas, para evitar fugas de gas y posibles riesgos para la seguridad.

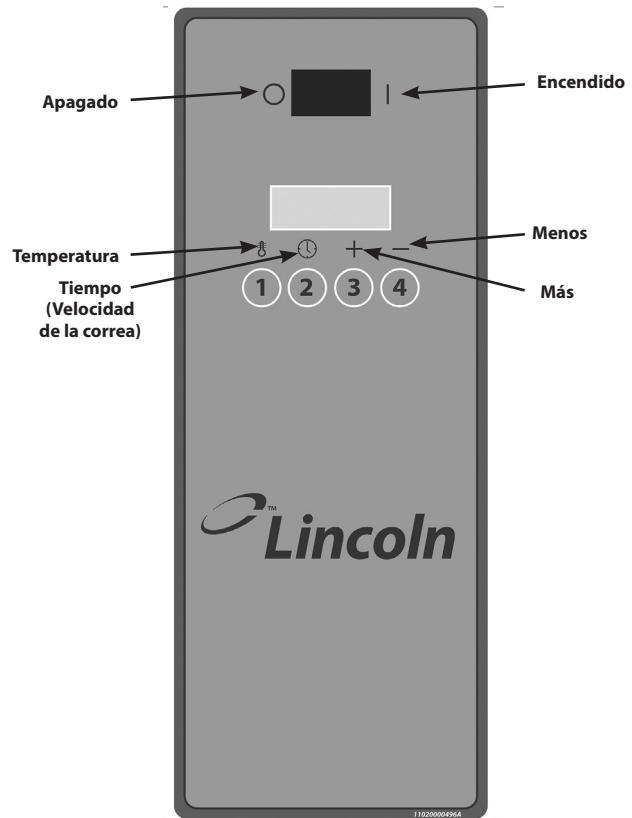
AJUSTES DE LA PLACA DEFLECTORA DE LA CARCASA DEL DISTRIBUIDOR DE CALOR

La carcasa del distribuidor de calor posee un deflector montado en el interior para compensar el flujo de aire hacia la parte posterior y delantera del horno. Si el producto se cocina más o menos en la parte posterior del horno en comparación con la parte delantera, es posible que se deba ajustar el deflector de la carcasa del distribuidor de calor. Si se considera necesario ajustar el deflector de compensación de aire, asegúrese de ajustar las ocho carcasas de distribuidor de aire en la misma abertura de manera exacta. Determine si se requiere más aire (calor) en la parte posterior o delantera del horno y luego doble el deflector en la dirección correcta para abrir o cerrar dicho aire. Para obtener información adicional acerca de cómo ajustar la placa deflectora de la carcasa del distribuidor de calor, comuníquese con el Departamento de Servicio Técnico de Lincoln al 1-844-724-2273.

Sección 3 Operación



Si la lámina se ve así, no se aplican las instrucciones para el funcionamiento preestablecido.



Si la lámina se ve así, las instrucciones para el funcionamiento preestablecido comienzan en la página 75.

Información acerca del uso del horno

El horno Impinger® funciona con chorros de aire calentado a alta velocidad dirigidos directamente a los alimentos. Ya que el aire es la fuente de calor, es eficaz incluso en alimentos delicados. En comparación con los hornos convencionales e, incluso, los hornos de convección, el tiempo de cocción de los productos en los hornos transportadores Impinger® puede ser de dos a cuatro veces más rápidos. Varios factores pueden afectar el tiempo de cocción de cualquier producto especial, como: 1) el ajuste de la temperatura del horno, 2) la velocidad del transportador, 3) la posición de la placa reguladora de calor en el horno y 4) los ajustes de los 2 deflectores en las aberturas del transportador.

Lo alentamos a experimentar con el horno y probar distintos ajustes de temperaturas y velocidades de correa. Además, cambie la distribución de las placas reguladoras de calor opcionales para intentar controlar la cocción del producto.

⚠ PELIGRO

El supervisor del lugar es responsable de asegurarse de que los operadores sean conscientes de los peligros relacionados con el funcionamiento de este equipo.

⚠ Advertencia

No trabaje alrededor del transportador si tiene el pelo largo, ropa suelta o joyas que cuelguen. Si se atrapan con la correa, se podrían provocar lesiones graves.

⚠ Advertencia

La parte delantera del horno está caliente durante el funcionamiento. Se debe tener cuidado cuando se trabaje alrededor del horno. Cuando use la puerta de acceso delantera del horno, asegúrese de fijar la puerta de acceso en su ubicación correcta cuando termine. No fijar la puerta podría provocar que la puerta se abra y generar quemaduras.

Funcionamiento y programación (todos los modelos)

INTRODUCCIÓN: ENCENDIDO Y APAGADO

Para el operador, el panel tiene modos de encendido, funcionamiento y menú de programa. Para encender el horno, encienda el interruptor de encendido. Para apagar el horno, apague el interruptor de encendido.

DISEÑO DEL PANEL DELANTERO

El panel delantero contiene cuatro (4) botones pulsadores momentáneos: TEMPERATURA, TIEMPO, MÁS Y MENOS. También tiene una pantalla VFD de 2 líneas x 16 caracteres.

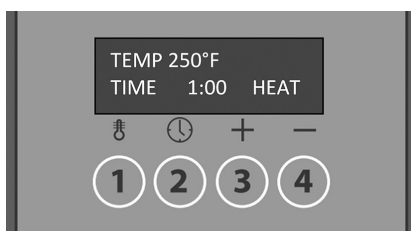
VALORES DE REFERENCIA DE TEMPERATURA

Los hornos Digital Advantage tienen un valor de referencia. Para ingresar al modo de valor de referencia, mantenga presionados los botones TIEMPO y TEMPERATURA juntos durante 5 segundos. Cuando presione el botón TEMPERATURA, la pantalla mostrará el ajuste actual. Presionar los botones MÁS o MENOS subirá o bajará la temperatura al ajuste deseado. En el modo de grados Fahrenheit, la temperatura se ajusta en incrementos de 5 grados. Cuando esté en modo de grados Centígrados, el ajuste de temperatura se realiza en incrementos de 1 grado. Mantenga presionados los botones MÁS o MENOS para permitir que los ajustes "avancen" mucho más rápido. Cuando se indica la temperatura deseada, suelte todos los botones. Después de 5 segundos, se almacenarán los valores de referencia seleccionados y permanecerán en la memoria.

VALORES DE REFERENCIA DE TIEMPO

Hay solo un valor de referencia para la velocidad del transportador. Ingrese al modo de valor de referencia como se mencionó anteriormente. Cuando presione el botón TIEMPO, la pantalla mostrará el ajuste de velocidad actual. Presionar los botones MÁS o MENOS aumentará o disminuirá el ajuste de velocidad deseado. La velocidad se puede ajustar de la siguiente manera:

- 1:00 a 9:55 en incrementos de 5 segundos
- 10:00 a 12:45 en incrementos de 15 segundos
- 13:00 a 19:30 en incrementos de 30 segundos
- 20:00 a 30:00 en incrementos de 1 minuto



SALTAR ENTRE MENÚS

Presionar el botón TIEMPO mientras está en el modo de ajuste de TEMPERATURA, y viceversa, causará que la selección de menú pase a ese modo.

MENSAJES DE DIAGNÓSTICO

Los hornos Digital Advantage tienen mensajes de diagnóstico dentro del control. En el caso inesperado de que haya una falla en el funcionamiento del horno, aparecerán los siguientes mensajes en el control.

Open Probe (Sonda abierta)

Esto ocurre cuando no se envía temperatura al controlador desde la cámara de horneado.

Belt Jam (Atasco de la correa)

Esto ocurre cuando falla el motor del transportador.

INTERRUPTOR DE INVERSIÓN

El horno tiene un interruptor de inversión de dirección de la correa en la parte posterior de la caja de control.

Funciones

INTERRUPTOR DE DESCONEXIÓN TÉRMICA

El modelo 3240 eléctrico incluye un "interruptor de desconexión térmica de seguridad" para su protección. Este dispositivo de seguridad está diseñado para garantizar que la unidad Impinger I no se sobrecaliente y dañe la unidad. En el caso poco probable de que la unidad Impinger I excediera el rango de temperatura de funcionamiento especificado, se activará el "interruptor de desconexión térmica de seguridad" y bloqueará el paso de energía hacia la unidad Impinger I, lo que provocará que se apague.

⚠ Atención

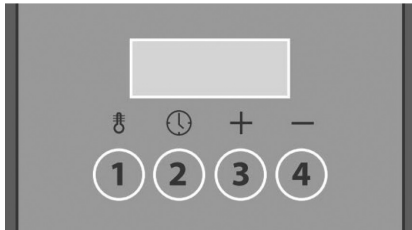
Para evitar un peligro debido al restablecimiento involuntario de la desconexión térmica, no se debe alimentar el equipo a través de un dispositivo de conmutación externo, como un temporizador, ni se debe conectar a un circuito que los servicios públicos enciendan y apaguen regularmente.

Para los modelos sin 1-2-3-4, continúe a la página 78, "Cambio de la velocidad del transportador".

Funcionamiento preestablecido (Modelos con 1-2-3-4)

La interfaz del horno tiene cuatro teclas de control y una pantalla fluorescente de vacío de 16x2.

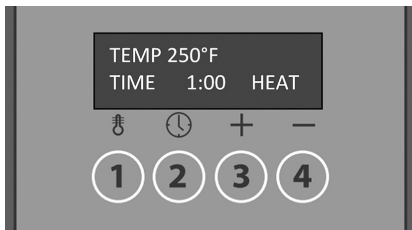
Las cuatro teclas de control de función son TEMPERATURA, TIEMPO, MÁS y MENOS, y están ubicadas sobre los círculos con números 1, 2, 3 y 4.



Cada tecla tendrá la función adicional de ser un ajuste preestablecido.

AJUSTE DE LA TEMPERATURA Y EL TIEMPO

Durante el funcionamiento normal, la pantalla indica la temperatura de funcionamiento (TEMP) y los valores de referencia de TIME (Tiempo) o PRESET (Ajuste preestablecido) (1 a 4), de la siguiente manera:



o



Antes de programar una tecla preestablecida (1 a 4), se debe ajustar el horno al tiempo y la temperatura deseados para ese ajuste preestablecido.

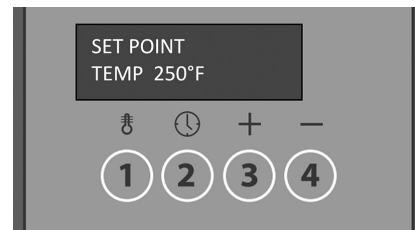
NOTA: Cambie el tiempo y la temperatura antes de programar un ajuste preestablecido.

1. Mantenga presionadas las teclas TIEMPO y TEMPERATURA durante 2 a 3 segundos hasta que se muestre SET POINT (Valor de referencia). Suelte las teclas. El control está ahora en modo de EDICIÓN.



2. Para cambiar el valor de referencia de temperatura:

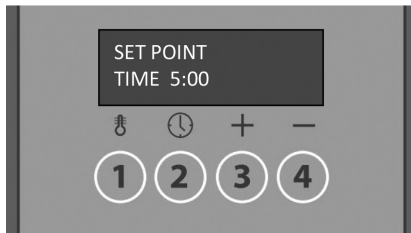
- A. Presione y suelte la tecla TEMPERATURA, de modo que se muestre lo siguiente.



- B. Presione las teclas MÁS o MENOS hasta que se muestre el valor de SET POINT TEMP (Valor de referencia de temperatura) deseado.

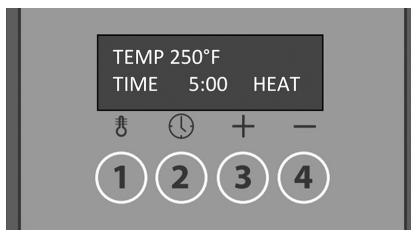
3. Para cambiar el valor de referencia de tiempo de la correa:

- A. Presione la tecla TIEMPO hasta que se muestre lo siguiente. Suelte la tecla.



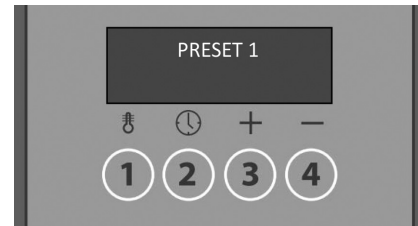
- B. Presione las teclas MÁS o MENOS hasta que se muestre el valor de SET POINT TIME (Valor de referencia de tiempo) deseado para la correa.

Después de cinco segundos sin presionar una tecla, el control comenzará a funcionar con el tiempo y la temperatura que se muestran.

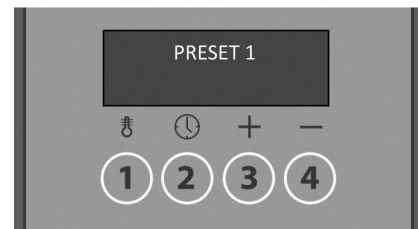


PROGRAMACIÓN DEL TIEMPO Y LA TEMPERATURA QUE SE MUESTRAN COMO UN AJUSTE PREESTABLECIDO

1. Mantenga presionada la tecla de control deseada que se usará para el ajuste preestablecido (por ejemplo, 1).
2. Después de cuatro segundos, la pantalla cambiará de la visualización de temperatura y tiempo o PRESET (1 a 4) a PRESET 1. **No suelte la tecla.**



3. Siga presionando durante 11 segundos (15 segundos en total) hasta que se muestre PRESET 1 UPDATED (Ajuste preestablecido 1 actualizado). Suelte la tecla. Se seguirá mostrando UPDATED durante 3 segundos.



El tiempo y la temperatura seleccionados (por ejemplo: 400F y 5:00) se han confirmado como el ajuste preestablecido 1.

SELECCIÓN DE UN AJUSTE PREESTABLECIDO

1. Mantenga presionada la tecla de control deseada (por ejemplo, 1). Después de cuatro segundos, la pantalla cambiará de la visualización de temperatura y tiempo o PRESET (1 a 4) a PRESET 1.



2. Suelte la tecla inmediatamente. Ahora, el ajuste preestablecido 1 está activo y se muestra PRESET 1 ACTIVATED (Ajuste preestablecido 1 activado) durante 3 segundos, y luego vuelve a PRESET 1, como se muestra en las siguientes ilustraciones:



El control funcionará ahora con los ajustes de tiempo y temperatura que se almacenaron en PRESET 1.

Cada una de las teclas de AJUSTES PREESTABLECIDOS (1 a 4) se ajustan y seleccionan de la misma manera.

Cambio de la velocidad del transportador (cuando se configura con una correa dividida)

1. Cuando se enciende el horno, todas las correas comienzan a funcionar automáticamente. Para ajustar la velocidad del transportador, mantenga presionada la tecla TIEMPO hasta que se muestre el transportador deseado en la pantalla.
2. Presione las teclas MÁS o MENOS hasta que se muestre el valor de SET POINT TIME deseado para la correa. Mientras presiona el botón, la pantalla mostrará la correa que se está ajustando. Deberá seguir presionando el botón durante aproximadamente cuatro segundos.
3. La pantalla mostrará "Please Release" (Por favor, soltar) cuando sea tiempo de soltar el botón. Se ajustará la velocidad de la correa.
4. Para cambiar la velocidad de la segunda correa, mantenga presionado el mismo botón anterior.

Instrucciones de apagado del horno

1. Mueva el interruptor de encendido y apagado a la posición "APAGADO". El horno se apagará y dejará de funcionar.

Orientación de cocción

1. Permita que el calor del horno se estabilice durante 30 minutos como mínimo:
 - Cuando se encienda
 - Después de cada cambio de ajuste preestablecido
 - Después de cada cambio de temperatura de cocción

Sección 4

Mantenimiento

Mantenimiento preventivo

Aunque este horno está diseñado para dar la menor cantidad de problemas posibles, el mantenimiento preventivo es fundamental para mantener el mejor rendimiento. Es necesario mantener los motores, ventiladores y controles electrónicos sin suciedad, polvo o residuos para garantizar el enfriamiento correcto. El sobrecalentamiento es perjudicial para la vida útil de todos los componentes mencionados. Los intervalos periódicos para la limpieza preventiva pueden variar enormemente, dependiendo del entorno en el que se opera el horno. Debe analizar la necesidad de realizar mantenimiento preventivo con el técnico de servicio autorizado por la fábrica (FAS, por sus siglas en inglés) para establecer un programa adecuado. Si tiene preguntas que la agencia de mantenimiento no pueda responder, comuníquese con el Departamento de Servicio Técnico de KitchenCare al (844) 724-2273.

PELIGRO

Desconecte el suministro de energía antes de realizar mantenimiento o limpiar esta unidad. Resguarde la energía, de modo que no se pueda restablecer accidentalmente. De lo contrario, se podrían producir lesiones graves. Hay más de un punto de conexión del suministro de energía cuando se apilan los hornos, por lo que debe asegurarse de que todos los interruptores estén en posición "APAGADO" antes de limpiar o realizar mantenimiento.

PELIGRO

Es responsabilidad del dueño del equipo realizar una evaluación de riesgos en los equipos de protección personal, para garantizar una protección adecuada durante los procedimientos de mantenimiento.

Para mantener la eficiencia máxima del horno, se deben limpiar regularmente todas las rejillas de ventilación. En realidad, el uso del horno y el tipo de producto determinarán la frecuencia de la limpieza. Se debe revisar la cadena de transmisión del transportador durante el ciclo de limpieza semanal para ver si se soltó. El funcionamiento de una cadena suelta DAÑARÁ el motor de transmisión del transportador.

Si el horno no funciona, revise el disyuntor para asegurarse de que esté encendido. Además, revise los fusibles en el panel de control para asegurarse de que estén en buenas condiciones antes de llamar al técnico de servicio autorizado por la fábrica (FAS).

Advertencia

Permita que los equipos calientes se enfríen antes de intentar limpiarlos, realizarles mantenimiento o moverlos. La unidad debe estar fría al tacto y se debe desconectar de la fuente de energía.

Aviso

No use limpiadores cáusticos en ninguna parte del horno ni en la cavidad del horno. Use jabones o detergentes suaves y no abrasivos, aplicados con una esponja o paño suave. Nunca use implementos afilados o abrasivos fuertes en ninguna parte del horno.

Limpieza diaria

1. Limpie las superficies exteriores del horno con un detergente suave y agua limpia, o un limpiador comercial para acero inoxidable.
2. Limpie las bandejas para migas y las protecciones con una solución de detergente suave y enjuáguelas con agua limpia.
3. Quite todas las partículas sueltas del interior, luego enjuague con una solución de detergente suave y enjuague con agua limpia.
4. Limpie la correa transportadora con un paño limpio o con un cepillo para fregar (número de catálogo de Lincoln 11000115638).

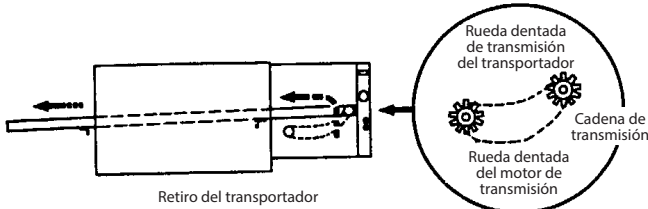
En el exterior del horno, se pueden retirar los depósitos horneados de salpicaduras, aceite y grasa o la decoloración leve con cualquiera de varios limpiadores comerciales. Consulte con su proveedor local.

Advertencia

Cuando use soluciones de limpieza, asegúrese de que cumplan con las normas de salud locales y nacionales.

Limpeza semanal

1. Retire la protección de la cadena del transportador. Retire las bandejas para migas y llévelas a un fregadero para limpiarlas.
2. Levante el extremo derecho del transportador y empujelo aproximadamente 76 mm (3"). Retire la cadena de transmisión.

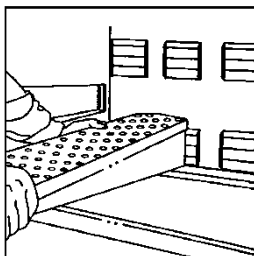


3. Saque el transportador del extremo derecho. Colóquelo en una mesa o superficie de trabajo.
4. Inspeccione si la cadena tiene señales de desgaste. Reemplace si fuese necesario.
5. Verifique que la rueda dentada de transmisión del motor del transportador esté fija. Apriete si es necesario.
6. Revise los sujetadores del motor del transportador para verificar que están fijos. Apriete si es necesario.
7. Sin el transportador, levante las bisagras y retire la puerta.

⚠ Atención

La puerta es muy pesada, por lo que debería retirarla con la ayuda de otra persona. Cuando vuelva a instalar la puerta, no fijar la puerta de la manera correcta podría provocar la caída de la puerta y posibles lesiones.

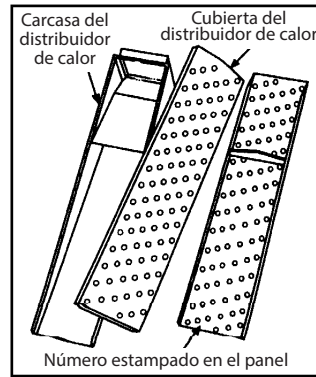
8. Retire los conjuntos de distribuidor de calor superior e inferior y llévelos al fregadero. Observe cualquier ubicación particular de los distribuidores de calor que pueda tener, como placas reguladoras de calor completamente cerradas, medio cerradas o completamente abiertas.



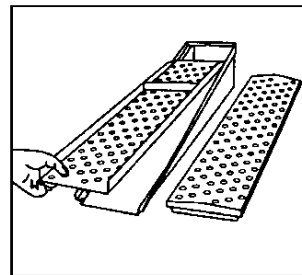
Aviso

Los componentes de los distribuidores de calor SE DEBEN volver a instalar en las posiciones correctas. No hacerlo causará que el horno no funcione correctamente.

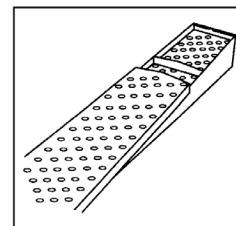
9. Desmonte los distribuidores de calor para limpiarlos.



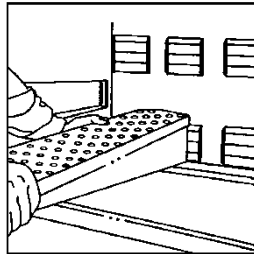
10. Limpie los distribuidores de calor y las bandejas para migas con una solución de detergente suave, y luego enjuáguelos con agua potable.
11. Quite todas las partículas sueltas del interior, luego enjuague con una solución de detergente suave y enjuague con agua limpia.
12. Limpie la correa transportadora con un paño limpio o con un cepillo para fregar (número de catálogo de Lincoln 11000115638).
13. Vuelva a montar los distribuidores de calor. Inserte la placa reguladora de calor, de modo que el peldaño quede bajo el reborde de la carcasa del distribuidor de calor, y que la placa quede a ras con el borde lateral de la carcasa.



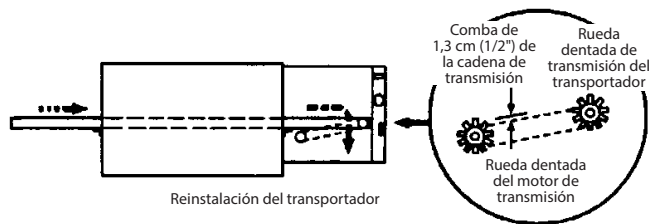
14. Deslice la cubierta en el extremo pequeño para instalarla.



15. Para instalar los distribuidores de calor superior e inferior, deslícelos sobre el reborde de la brida de la cámara impelente e instáloselos en el soporte delantero. ASEGÚRESE DE INSTALAR EL DISTRIBUIDOR DE CALOR SOBRE LAS BRIDAS DE LA CÁMARA IMPELENTE Y QUE LOS ORIFICIOS APUNTEN EN LA DIRECCIÓN ADECUADA. Los distribuidores de calor superiores apuntan hacia abajo. Instáloselos en la misma posición de la que se retiraron.



16. Vuelva a instalar el transportador. Inserte el transportador a través de la abertura en el lado derecho. La rueda dentada estará en el lado derecho del transportador.



17. Deslice el transportador a través de la cámara del horno hasta que la barra de bloqueo en el extremo de transmisión del transportador esté aproximadamente 50 a 76 mm (2" a 3") en la cámara del horno. Para instalar la cadena de transmisión, colóquela sobre la rueda dentada de transmisión y colóquela sobre la rueda dentada del transportador.
18. Levante el transportador apenas lo suficiente para permitirle tirar de él hacia usted hasta que la barra de bloqueo esté fuera de la cavidad del horno. Al mismo tiempo, empuje el transportador hacia abajo, de modo que la barra se bloquee en el exterior de la pared del horno.
19. Inspeccione la alineación de la rueda dentada y ajuste si fuese necesario.
20. Vuelva a instalar las bandejas para migas del transportador y la cubierta de la protección de la cadena.
21. Vuelva a conectar la alimentación.
22. Limpie la suciedad de las rejillas del ventilador de enfriamiento de la caja de control y las aberturas en la pared posterior (cubierta).

Sección 5

Solución de problemas

Lista de verificación para antes de llamar al servicio técnico

Problema	Causa	Corrección
No funciona	Disyuntor disparado	Restablezca el disyuntor
	Válvula de gas manual cerrada	Coloque la válvula en la posición ENCENDIDO
	Los fusibles están malos	Reemplace los fusibles en la parte posterior del horno
	La desconexión térmica de seguridad se dispara (hornos eléctricos)	Restablezca la energía, llame al servicio si esto se repite
Calentamiento desigual	Los distribuidores de calor están montados de manera incorrecta	Vuelva a montarlos de manera correcta
	Los distribuidores de calor están en la ubicación incorrecta	Coloque los distribuidores de calor en la ubicación correcta
	La temperatura del horno no se ha estabilizado	Permita que el horno se estabilice durante 30 minutos como mínimo después de cualquier cambio en la temperatura de cocción
Sobrecocido o poco cocido	Ajuste de temperatura incorrecto	Ajuste la temperatura
	Velocidad incorrecta del transportador	Ajuste la velocidad del transportador
	Termostato defectuoso	Llame a servicio técnico
El calor y los olores de cocción salen a la habitación	La ventilación y la campana de extracción están apagadas	Encienda el sistema de ventilación
	Se debe limpiar la ventilación y los filtros de escape	Limpie todos los filtros
	Sistemas de ventilación o escape defectuosos	Llame a servicio técnico
El transportador no funciona	Incorrectamente instalado	Retire y vuelva a instalar
	La rueda dentada de transmisión está suelta	Apriete la rueda dentada de transmisión
	La cadena de transmisión está suelta o desconectada	Verifique la instalación correcta; llame al servicio técnico
	El transportador se estiró debido al uso	Llame a servicio técnico

Interruptor de desconexión térmica para los componentes de la caja de control

Los hornos eléctricos 1400 (tanto de 50 Hz como de 60 Hz) incluyen un "interruptor de desconexión térmica de seguridad" para su protección. Este dispositivo de seguridad está diseñado para garantizar que la unidad no se sobrecaliente y dañe el horno. En el caso poco probable de que el horno excediera el rango de temperatura de funcionamiento especificado, se activará el "interruptor de desconexión térmica de seguridad" y bloqueará el paso de energía hacia la unidad, lo que provocará que se apague. No se exige que los hornos a gas 1400 (tanto de 50 Hz como de 60 Hz) tengan esta característica de seguridad.

Advertencia

Para evitar un peligro debido al restablecimiento involuntario de la desconexión térmica, no se debe alimentar el equipo a través de un dispositivo de conmutación externo, como un temporizador, ni se debe conectar a un circuito que los servicios públicos enciendan y apaguen regularmente.

GARANTÍA LIMITADA, TÉRMINOS Y CONDICIONES

GARANTÍA LIMITADA PARA EQUIPOS LINCOLN

Lincoln Foodservice ("Lincoln") garantiza que este producto estará libre de defectos de materiales y mano de obra por los siguientes periodos:

- Los hornos CTI (analógico y digital), *Impinger II*, *Impinger I*, Bajo perfil tienen un (1) año a partir de la fecha de compra.
- Los hornos de la serie 3200 (3240, 3255 y 3270) tienen dos (2) años a partir de la fecha de compra.

Durante el período de la garantía, Lincoln deberá, a su discreción, reparar o reemplazar las piezas que determine defectuosas en materiales o mano de obra; con respecto a los servicios, deberá volver a realizar cualquier parte defectuosa de dichos servicios. Lo anterior deberá ser la única obligación de Lincoln bajo esta garantía limitada, con respecto a los equipos, productos y servicios. Con respecto a los equipos, materiales, piezas y accesorios fabricados por terceros, la única obligación de Lincoln deberá ser realizar los esfuerzos razonables para obtener el máximo beneficio de las garantías del fabricante. Lincoln no tendrá responsabilidad, ya sea contractual, extracontractual, por negligencia o de otro tipo, con respecto a los productos no fabricados por Lincoln.

¿QUIÉN ESTÁ CUBIERTO?

Esta garantía limitada solo aplica al comprador original del producto y no es transferible.

EXCLUSIONES DE LA COBERTURA

- Se deberá excluir la reparación o reemplazo de las piezas necesarias debido a uso incorrecto, mantenimiento o almacenamiento no adecuado, negligencia, alteraciones, accidentes, uso de suministros incompatibles o falta de mantenimiento.
- Los artículos de mantenimiento habituales, como por ejemplo, bombillas, fusibles, empaquetaduras, juntas tóricas, acabados interiores y exteriores, lubricación, correa transportadora, bujes del motor, vidrio quebrado, etc., además de los ajustes y calibraciones de temperatura, velocidad y flujo de aire.
- Fallas provocadas por voltajes inadecuados o erráticos.
- Reparaciones no apropiadas o sin autorización.
- Cambios en el ajuste y la calibración después de noventa (90) días desde la fecha de instalación del equipo.
- Esta garantía limitada no se aplica a ninguna pieza sujeta a daños más allá del control de Lincoln o a daños en el equipo que ha estado sujeto a alteraciones, uso incorrecto o instalación inadecuada, accidentes, daños en el envío, incendio, inundaciones, cambios en la potencia y otros peligros o actos de la naturaleza que están fuera del control de Lincoln.
- Esta garantía limitada no se aplica y no deberá cubrir productos o equipos fabricados o vendidos por Lincoln, cuando esos productos o equipos comerciales se instalen o usen en una aplicación residencial o no comercial. Las instalaciones que se realicen fuera de los códigos vigentes de construcción y contra incendios harán que esta garantía limitada y toda obligación o responsabilidad asociada sea nula y sin efecto. Esto incluye cualquier daño, costo o acción legal que resulte de la instalación de cualquier equipo comercial de Lincoln en una instalación no comercial o para uso no comercial, cuando el equipo sea utilizado para otros usos no aprobados por Lincoln.

LIMITACIONES DE RESPONSABILIDAD

Los párrafos anteriores establecieron la solución exclusiva para todas las reclamaciones por fallas o defectos en productos o servicios que se vendan de ahora en adelante, ya sea que la falla o defecto se produzca antes o durante el período de garantía, y ya sea que una reclamación, como sea que se haya entablado, se base en el contrato, indemnización, garantía, responsabilidad extracontractual (lo que incluye negligencia), responsabilidad objetiva, implícita por ley, derecho común u otro medio, y que Lincoln y sus empleados y agentes no serán responsables por ninguna reclamación por lesiones corporales o daños o pérdidas incidentales o indirectos, cualquiera sea la causa. Cuando expire el período de la garantía, dicha responsabilidad rescindirá. LAS GARANTÍAS MENCIONADAS CON ANTERIORIDAD SON EXCLUYENTES Y REEMPLAZAN A TODAS LAS DEMÁS GARANTÍAS, SEAN ESCRITAS, ORALES, IMPLÍCITAS O LEGALES. NO SE APLICARÁ NINGUNA GARANTÍA IMPLÍCITA DE COMERCIABILIDAD O DE IDONEIDAD PARA FINES PARTICULARES LINCOLN NO GARANTIZA NINGÚN PRODUCTO O SERVICIO DE OTRAS EMPRESAS.

SOLUCIONES

La responsabilidad de Lincoln por incumplimiento de cualquier obligación de la garantía en lo posterior, se limita a lo siguiente: (i) la reparación o el reemplazo del equipo objeto de la reclamación o, en relación con el mantenimiento o la repetición del mantenimiento; (ii) a opción de Lincoln, el reembolso de la cantidad que se pagó por dicho equipo o servicio.

Cualquier incumplimiento de Lincoln relacionado con cualquier artículo, unidad o equipo, o servicio, se considerará como un incumplimiento relacionado exclusivamente con dicho artículo, unidad o servicio.

PROCEDIMIENTO DE RECLAMACIÓN DE LA GARANTÍA

- Notificar inmediatamente a un agente de mantenimiento autorizado por Lincoln el número de serie del equipo y la naturaleza del problema.
- Verificar si el problema es responsabilidad de la fábrica. La instalación incorrecta y el uso indebido del equipo no están cubiertos por esta garantía limitada.
- Coopere con el agente de mantenimiento para que realice el servicio de garantía dentro del horario normal de trabajo.
- El tiempo de desplazamiento no debe exceder las dos horas, mientras que la distancia no debe exceder los ciento sesenta y un (161) kilómetros (cien [100] millas).

LEY APLICABLE

La garantía limitada se regirá por las leyes del estado de Delaware, EE. UU. Se excluyen los conflictos de principios jurídicos. Se excluye por completo la aplicación de la Convención de las Naciones Unidas sobre los Contratos de Compraventa Internacional de Mercaderías a esta garantía limitada.

POLÍTICA DE DEVOLUCIÓN

1. Todos los productos devueltos deben incluir un número de RMA del Servicio al Cliente antes de enviar el producto de vuelta.
2. El producto debe ser estándar, debe estar aún en su caja y esto se debe realizar dentro de 90 días desde la fecha de facturación. Los productos estándar se definen como configuraciones de producto que se pueden vender en el mercado general. Los productos personalizados son configuraciones de producto que son exclusivas para un cliente específico y que no se pueden vender a otros clientes. No se pueden devolver productos obsoletos o descontinuados.
3. Si se aprueba la devolución de un producto estándar, el cargo estándar por devolución es del 30 % o 20 %, si se realiza un pedido de reposición.
4. Los productos personalizados **no se pueden devolver**.
5. El cliente será responsable por los costos correspondientes de transporte y embalaje.
6. El número de RMA debe estar escrito claramente en todos los papeles de envío hacia la fábrica o bodega.
7. El RMA será válido durante 45 días desde la fecha de emisión.

POLÍTICA DE VENTAS INTERNACIONALES

Los pedidos de ventas internacionales que se envíen a distribuidores en los EE. UU. están sujetos a los siguientes cargos:

- Hornos *Impinger II*, *Impinger I*, Bajo perfil, serie 3200: **20 %**.
- Horno de encimera (CTI), hornos de la serie 1300 y 2500: **15 %**.

Todos los envíos FOB, Covington, TN 38019

Las especificaciones están sujetas a cambios sin previo aviso.

0063AQ4580
0063**WELBILT®***Traemos la innovación a la mesa*WWW.WELBILT.COM

Welbilt proporciona equipos y soluciones líderes en la industria a los principales chefs del mundo y a los operadores de cadenas o empresas independientes en desarrollo. Nuestros diseños de vanguardia y las tácticas de eficiencia productiva funcionan gracias al conocimiento profundo, la comprensión del operador y la pericia culinaria.

Todos nuestros productos cuentan con el respaldo de KitchenCare®, nuestro servicio de piezas, reparación y mercado secundario.

▶ CLEVELAND
▶ CONVOTHERM®

▶ DELFIELD®
▶ FITKITCHEN™

▶ FRYMASTER®
▶ GARLAND

▶ KOLPAK®
▶ LINCOLN

▶ MANITOWOC®
▶ MERCÓ®

▶ MERRYCHEF®
▶ MULTIPLEX®



WWW.WELBILT.COM



تقدم Welbilt لكبار الطهاة على مستوى العالم، أو مشغلي السلاسل الرائدة، أو أصحاب المشاريع المستقلة على طريق النمو، معدات وحلولاً رائدة في المجال. فتصاميمنا المتطورة وأساليبنا التصنيعية الخالية من الهدر قوامها المعرفة العميقة، وآراء المشغلين، والخبرة الواسعة في مجال الطهو. وكل منتجاتنا مدعومة بخدمة KitchenCare® – خدمة ما بعد البيع، والإصلاح، وقطع الغيار الخاصة بنا.

MERRYCHEF® ▶ MANITOWOC® ▶ KOLPAK® ▶ FRYMASTER® ▶ DELFIELD® ▶ CLEVELAND ▶
MULTIPLEX® ▶ MERCO® ▶ LINCOLN ▶ GARLAND ▶ FITKITCHEN™ ▶ CONVOTHERM® ▶

الضمان المحدود، الأحكام والشروط

الضمان المحدود لمعدات LINCOLN

تضمن شركة Lincoln Foodservice ("Lincoln") خلو هذا المنتج من العيوب في مادة وطريقة التصنيع للمدة التالية:

- CTI (التناظري والرقمي)، *Impinger I*، *Impinger II*، والأفران منخفضة الارتفاع مضمونة لمدة عام واحد (1) من تاريخ الشراء.
- سلسلة أفران 3200 (3240، 3255 و 3270) مضمونة لمدة عامين (2) من تاريخ الشراء.

خلال فترة الضمان، تقوم Lincoln وفق اختيارها، بإصلاح أو استبدال قطع الغيار التي ترى Lincoln أنها معيبة في مادتها أو مصنعيتها، وفيما يتعلق بالخدمات، ستقوم بإعادة تنفيذ الشق المعيب في الخدمات المذكورة. ويعد ما سبق هو الالتزام الوحيد المترتب على Lincoln بموجب لهذا الضمان المحدود فيما يتعلق بالمعدة والمنتجات والخدمات. وفيما يتعلق بالمعدات والمواد وقطع الغيار والملحقات المصنعة من قبل الآخرين، فإن الالتزام الوحيد الذي يقع على عاتق Lincoln هو بذل الجهود المعقولة من أجل تحصيل المنافع الكاملة من الضمانات المقدمة من الشركة المصنعة. لا تتحمل Lincoln أية مسؤولية، سواء كانت تعاقدية، أو ناشئة عن الإخلال بواجب غير تعاقدية، أو الإهمال، أو خلافه، فيما يتعلق بالمنتجات غير المصنعة من قبل Lincoln.

من المشمول بالضمان

هذا الضمان المحدود متاح فقط للمشتري الأصلي للمنتج وهو غير قابل للنقل والتحويل للغير.

الاستثناءات من التغطية

- يستثنى من الضمان الإصلاح أو استبدال قطع الغيار اللزيمين بسبب سوء الاستخدام، أو سوء العناية أو التخزين، أو الإهمال، أو التعديل، أو التعرض لحادث، أو استخدام مستلزمات غير متوافقة، أو عدم الصيانة على النحو المحدد.
- عناصر الصيانة العادية، بما في ذلك على سبيل المثال لا الحصر، مصابيح الإضاءة والمصهرات والحشيات وحلقات إحكام السد، والتشطيبات الداخلية والخارجية والتشحيم، والسير الناقل وجلبات المحرك والزجاج المكسور وما إلى ذلك، وأعمال الضبط والمعايرة لدرجة الحرارة والسرعة وتدفق الهواء
- الأعطال الناجمة عن الفولتية غير المناسبة أو غير المنتظمة
- الإصلاح غير المناسب أو غير المصرح به
- التغييرات في الضبط والمعايرة بعد تسعين (90) يوماً من تاريخ تركيب المعدة
- لا يسري هذا الضمان المحدود على أية قطع غيار تتعرض لأضرار خارجة عن سيطرة Lincoln، أو على المعدة التي تعرضت للتعديل، أو سوء الاستخدام، أو التركيب غير الصحيح، أو الحوادث، التضرر خلال الشحن، أو التعرض للحريق، أو الفيضانات، أو تقلبات الطاقة الكهربائية، أو غيرها من المخاطر، أو حوادث القضاء والقدر الخارجة عن سيطرة Lincoln.
- لا ينطبق هذا الضمان المحدود ولا يسري على أية منتجات أو معدات تم تصنيعها أو بيعها من قبل Lincoln في حالة تركيب هذه المنتجات أو المعدات التجارية أو استخدامها في أغراض سكنية أو غير تجارية. عمليات التركيبات غير الموافقة لأكواد البناء أو الحريق من شأنها أن تؤدي إلى إلغاء وبطالان هذا الضمان المحدود وأي مسؤولية أو التزامات مترتبة عليه. ويشمل ذلك أية أضرار أو تكاليف أو إجراءات قانونية ناجمة عن تركيب أي معدات الطهو التجارية لشركة Lincoln في الاستخدامات أو التركيبات غير التجارية، حيثما تستخدم المعدة لأغراض مخالفة لتلك التي اعتمدها Lincoln.

حدود المسؤولية

تحدد الفقرات سالفة الذكر سبل جبر الضرر الحصرية تجاه كافة المطالبات المؤسسة على الأعطال أو العيوب الموجودة في المنتجات أو الخدمات المباعة بموجب هذا، سواء نتج ذلك العطل أو العيب قبل أو أثناء فترة الضمان، وسواء كانت المطالبة، أياً ما كان أساسها، تستند إلى عقد أو تعويض أو ضمان أو إخلال بواجب غير تعاقدية (بما في ذلك الإهمال) أو المسؤولية المعقولة أو الضمنية بموجب أي تشريع أو قانون عام أو خلاف ذلك، ولا تتحمل Lincoln وموظفيها ووكلائها المسؤولية تجاه أية مطالبات بشأن الإصابات الشخصية أو الأضرار أو الخسائر العرضية أو الاستتبابية مهما كان سببها. عند انتهاء مدة الضمان، تنتهي كل المسؤوليات المذكورة. وتعتبر الضمانات سالفة الذكر حصرية وتحل محل كافة الضمانات الأخرى سواء كانت كتابية أو شفهية أو ضمنية أو قانونية. لا تسري أية ضمانات ضمنية بشأن الرواج في الأسواق أو الملاءمة لغرض محدد. لا تضمن LINCOLN أية منتجات أو خدمات تخصص الآخرين.

سبل الإنصاف

تقتصر مسؤولية Lincoln عند الإخلال بأي التزام مذكور في هذا الضمان على ما يلي: (1) إصلاح أو استبدال المعدة التي على أساسها ترتبت المسؤولية أو فيما يتعلق بالخدمات أو إعادة تنفيذ الخدمات أو (2) وفق اختيار Lincoln، إعادة المبالغ المدفوعة مقابل المعدة أو الخدمات المذكورة.

يعتبر أي إخلال من قبل Lincoln فيما يتعلق بأي عناصر أو وحدة بالمعدة أو الخدمات إخلالاً فيما يتعلق بذلك العنصر أو الوحدة أو الخدمة فقط.

إجراءات المطالبات بموجب الضمان

- أخطر على الفور الموزع أو وكيل الخدمة المعتمد من Lincoln بالرقم المسلسل للمعدة وطبيعة المشكلة.
- تحقق من أن المشكلة هي مسؤولية المصنع. فتركيب المعدة بشكل غير صحيح أو سوء استخدامها غير مشمول بهذا الضمان المحدود.
- تعاون مع وكيل الخدمة حتى يتسنى إتمام خدمة الضمان خلال ساعات العمل العادية.
- عدم تجاوز وقت الانتقال ساعتين وعدم تجاوز عدد الأميال المقطوعة مائة (100) ميل.

القانون الحاكم

يخضع الضمان المحدود لقوانين ولاية ديلاوير، الولايات المتحدة الأمريكية، فيما عدا لو تعارضت مع المبادئ القانونية. يستثنى من السريان على هذا الضمان المحدود اتفاقية الأمم المتحدة بشأن عقود البيع الدولي للبضائع بكاملها.

سياسة الارتجاع

1. جميع المنتجات المعادة يجب أن تحصل على رقم إذن ارتجاع بضاعة (RMA) من خدمة العملاء قبل إعادتها.
2. يجب أن يكون المنتج منتجاً قِياساً، في صندوق شحنه، وفي حدود 90 يوماً من التاريخ المدون في الفاتورة. وتعرف المنتجات القياسية بأنها تشكيلات المنتجات القابلة للبيع في السوق العامة. أما المنتجات الخاصة فهي تشكيلات المنتجات الفريدة المعدة خصيصاً لعمل معين ولا يمكن بيعها إلى غيره من العملاء. والمنتجات المتقدمة/الموقف إنتاجها لا يمكن ارتجاعها.
3. في حالة الموافقة على ارتجاع منتج قياسي، تحسب تكلفة إعادة مخزون قياسية بنسبة 30% أو 20% في حالة عمل طلب استبدال.
4. المنتجات الخاصة غير قابلة للارتجاع.
5. يتحمل العميل مسؤولية تكاليف الشحن وإعادة التعبئة في صندوق الشحن.
6. يجب كتابة رقم إذن ارتجاع البضاعة بوضوح على جميع أوراق الشحن إلى المصنع/المستودع.
7. يعتبر إذن ارتجاع البضاعة سارياً لمدة 45 يوماً من تاريخ إصداره.

سياسة المبيعات الدولية

تخضع طلبات المبيعات الدولية المرسله من قبل الموزعين بالولايات المتحدة للرسوم التالية:

- أفران *Impinger I*، *Impinger II*، منخفضة الارتفاع، سلسلة 3200 - 20%.
- الأفران القابلة للوضع على مسطح (CTI)، سلاسل 1300 و 2500 - 15%.

جميع الشحنات تسلّم على ظهر السفينة في FOB Covington, TN 38019

تخضع المواصفات للتغيير دون إخطار.

القسم 5 استكشاف الأخطاء وإصلاحها

قائمة التحقق قبل الإقدام على الاتصال بالخدمة

المشكلة	السبب	التصحيح
لا يعمل	تم تشغيل القاطع	أعد القاطع إلى الوضع الأصلي
	إيقاف تشغيل صمام الغاز اليدوي	حول الصمام إلى الوضع ON (تشغيل)
	المصهرات غير جيدة	استبدل المصهرات الموجودة بالجهة الخلفية للفرن
	تم تشغيل قاطع الأمان الحراري (الأفران الكهربائية)	أعد تشغيل الطاقة، واتصل بالخدمة إذا تكرر الأمر
تسخين غير متساو	الأصابع مجمعة بصورة خاطئة	أعد التجميع بصورة صحيحة
	الأصابع في المكان الخاطئ	ضع الأصابع في المكان الصحيح
	لم يتم تثبيت درجة حرارة الفرن	اترك الفرن لمدة 30 دقيقة على الأقل إلى أن تثبت درجة حرارته، في أعقاب أي تغيير في درجة حرارة الطهو
المنتجات مطهوه أكثر أو أقل من اللازم	إعدادات درجة الحرارة غير صحيحة	اضبط درجة الحرارة
	سرعة الناقل غير صحيحة	اضبط سرعة الناقل
	عييب في الترموستات	اتصل لطلب الخدمة
الحرارة وروائح الطهو تملأ الغرفة	الشفاط لا يعمل	وصل نظام التهوية بالطاقة
	مرشحات الشفاط بحاجة إلى تنظيف	نظف جميع المرشحات
	عييب في نظام الشفط	اتصل لطلب الخدمة
الناقل لا يعمل	غير مركب بشكل صحيح	قم بإزالته وإعادة تركيبه
	عجلة التدوير المسننة منحلة	أحكم ربط عجلة التدوير المسننة
	سلسلة التدوير منحلة أو مفصولة	تحقق من صحة التركيب - اتصل لطلب الخدمة
	حدث تمدد في الناقل نتيجة الاستخدام	اتصل لطلب الخدمة

مفتاح القاطع الحراري لمكونات علبة التحكم

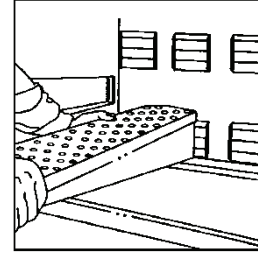
تتضمن أفران 1400 الكهربائية (كلاً من 50 هرتز و 60 هرتز) "مفتاح قاطع أمان حراري" من أجل حمايتك. وقد صمم جهاز الأمان هذا لضمان عدم زيادة سخونة الوحدة بصورة مفرطة وإلحاق الضرر بالفرن. وفي الحالات النادرة التي قد تتجاوز فيها حرارة الفرن نطاق درجة الحرارة التشغيلية المحددة، سيتم تفعيل "مفتاح قاطع الأمان الحراري" وبالتالي إعاقة وصول الطاقة للوحدة مما يؤدي إلى إيقاف تشغيلها. لا يلزم توافر ميزة الأمان هذه في أفران 1400 الغازية (كلاً من 50 هرتز و 60 هرتز).

⚠ تحذير

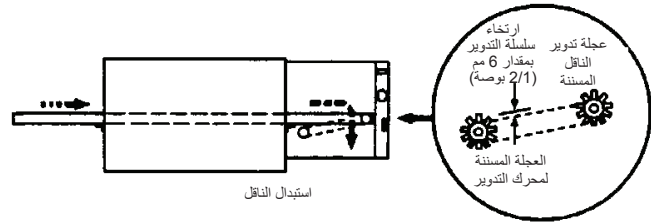
لتجنب المخاطر الناجمة عن إعادة ضبط القاطع الحراري عن غير قصد، يجب عدم تزويد هذا الجهاز بالطاقة من خلال جهاز تبديل خارجي مثل مؤقت أو توصيله بدائرة تكون قيد التشغيل وإيقاف التشغيل بصورة منتظمة من قبل مرفق الكهرباء.

17. أزل الناقل عبر حجرة الفرن إلى أن يصبح قضيب الإقفال الموجود عند طرف الناقل الذي به محرك التدوير على مسافة 50 إلى 76 مم (2 إلى 3 بوصة) تقريباً داخل حجرة الفرن. وركب سلسلة التدوير عن طريق وضعها فوق عجلة التدوير المسننة وعلى عجلة تدوير الناقل المسننة.
18. ارفع الناقل بالقدر الكافي الذي يمكنك من سحب الناقل نحوك إلى يصبح قضيب الإقفال خارج تجويف الفرن. وفي نفس الوقت، اضغط على الناقل لأسفل بحيث يزلق القضيب على الجزء الخارجي لجدار الفرن.
19. تحقق من محاذاة العجلة المسننة واضبطها إذا لزم الأمر.
20. أعد تركيب أواني تجميع الفتات للناقل والغطاء الواقى للسلسلة.
21. أعد توصيل التيار الكهربائي.
22. نظف فتحات التهوية من أي غبار، وكذلك مروحة تبريد صندوق التحكم، والفتحات الموجودة على الجدار الخلفي (الغطاء).

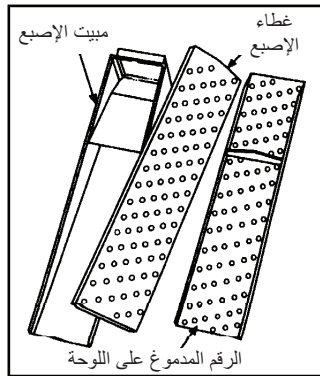
15. قم بتركيب الأصابع العلوية والسفلية في الفرن عن طريق تمريرها على شفة جهاز التهوية النفاخ وإسنادها على الدعامة الأمامية. تأكد من أن الأصابع مستقرة باعتدال فوق شفاة جهاز التهوية النفاخ وأن الثقوب موجهة في الاتجاه الصحيح. تشير الأصابع العليا إلى أسفل. فقم بتركيبها في نفس الموضع الذي تم فكها منه.



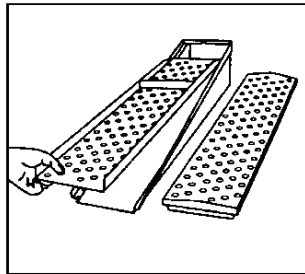
16. أعد تركيب الناقل. أدخل الناقل من خلال الفتحة الموجودة في الجانب الأيمن. ويجب أن تكون العجلة المسننة على جانب الناقل الأيمن.



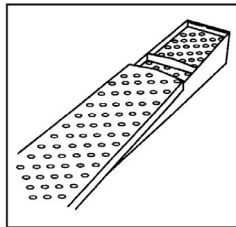
9. فك الأصابع لتنظيفها.



10. نظف الأصابع وأواني تجميع الفتات باستخدام محلول تنظيف معتدل، ثم اغسلها بماء صالح للشرب.
11. نظف الأجزاء الداخلية عن طريق إزالة الدقائق السائبة، ثم اغسلها بمحلول تنظيف معتدل، واشطفها بماء نظيف.
12. نظف السير الناقل عن طريق مسحه بقطعة قماش نظيفة أو الفرشاة بفرشاة حاكة (رقم كتالوج Lincoln 11000115638).
13. أعد تجميع الأصابع. أدخل لوح تعמיד (توجيه) الهواء الساخن بحيث تكون الدرجة تحت شفة مبيت الإصبع ويكون اللوح متساوياً مع الحافة الجانبية للمبيت.

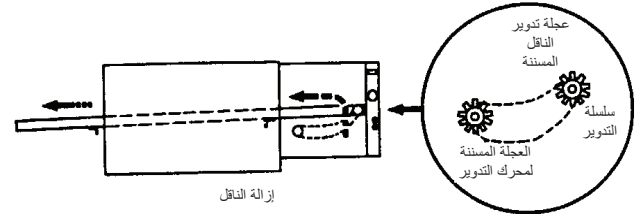


14. ركب الغطاء من خلال تمريره فوق الطرف الصغير.



التنظيف الأسبوعي

1. حل وافي سلسلة تدوير الناقل. حل أواني تجميع الفتات وضعها في الحوض لتنظيفها.
2. ارفع طرف الناقل الأيمن، وادفعه للداخل ما يقارب 76 ملم (3 بوصات). أخرج سلسلة التدوير.

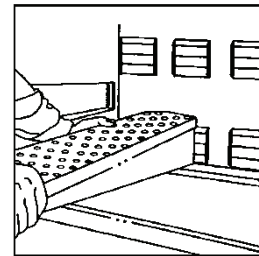


3. اسحب الناقل للخارج من الطرف الأيمن. ضع الناقل على طاولة أو سطح عمل.
4. افحص السلسلة بحثاً عن علامات تاكل بها. استبدل سلسلة التدوير إذا لزم الأمر.
5. تأكد من أن عجلة التدوير المسننة الموجودة على محرك الناقل مؤمنة. وأحكم ربطها إذا لزم الأمر.
6. افحص مثبتات محرك الناقل للتحقق من أنها مؤمنة. وأحكم ربطها إذا لزم الأمر.
7. بعد فك الناقل، ارفع المفصلات واخلع الباب.

⚠ تنبيه

وزن الباب ثقيل جداً ويجب فكه بالاستعانة بأكثر من شخص واحد. وعند إعادة تركيب الباب، قد يؤدي الفشل في تركيبه بطريقة سليمة إلى سقوطه والتعرض لإصابة محتملة.

8. قم بفك مجموعتي الأصابع العلوية والسفلية وضعهما في الحوض. انتبه إلى أي موضع معين قمت بضبطه للأصابع، مثل ألواح التعמיד (توجيه الهواء) في وضع الإغلاق الكامل أو الإغلاق النصفى أو الفتح الكامل.



تنبيه

يجب وضع مكونات الأصابع مرة أخرى في مواضعها الصحيحة. فمن شأن عدم القيام بذلك أن يتسبب في عدم قيام الفرن بالطهو بصورة صحيحة.

القسم 4 الصيانة

⚠ تحذير

يجب ترك الآلات الساخنة حتى تبرد قبل محاولة تنظيفها أو صيانتها أو نقلها. يجب أن تكون الوحدة باردة ومفصلة من مصدر التيار الكهربائي.

تنبيه

لا تستخدم المنظفات الكاوية على أي جزء من أجزاء الفرن أو تجويفه. استخدم الصابون أو المنظفات الخفيفة غير الكاشطة، باستخدام قطعة إسفنج أو قطعة قماش ناعمة. تجنب استخدام الأدوات الحادة أو المواد الكاشطة الصلبة على أي جزء من الفرن.

التنظيف اليومي

1. نظف الأسطح الخارجية للفرن عن طريق مسحها باستخدام مادة منظفة معتدلة ومياه نظيفة أو منظف استانلس ستيل تجاري.
 2. نظف أواني تجميع الفتات والواقيات عن طريق غسلها بمحلول تنظيف معتدل وشطفها بماء نظيف.
 3. نظف الأجزاء الداخلية عن طريق إزالة الدقائق السائبة، ثم اغسلها بمحلول تنظيف معتدل، واشطفها بماء نظيف.
 4. نظف السير الناقل عن طريق مسحه بقطعة قماش نظيفة أو الفرشاة بفرشاة حاكة (رقم كتالوج Lincoln 11000115638).
- بالنسبة للأجزاء الخارجية للفرن، يمكن إزالة بقايا رشاش المخبوزات، أو الزيت، أو الشحم، أو تغيير اللون الخفيف باستخدام أي من المنظفات التجارية العديدة. واستشر المورد المحلي.

⚠ تحذير

عند استخدام محاليل التنظيف تأكد من تليبيتها للمعايير الصحية المحلية والوطنية.

الصيانة الوقائية

على الرغم من تصميم هذا الفرن على نحو خال من أي مشكلات قدر الإمكان، إلا الصيانة الوقائية الدورية أمر أساسي للحفاظ على الأداء المثالي. ومن الضروري الحفاظ على نظافة المحركات والمراوح وعناصر التحكم الإلكترونية من الأتربة والأوساخ والبقايا لضمان التبريد الكافي. فالتسخين المفرط مضر بعمر جميع المكونات المذكورة. وتختلف الفترات الزمنية الدورية للتنظيف الوقائي بصورة كبيرة حسب البيئة التي يعمل بها الفرن. يجب مناقشة الحاجة للصيانة الوقائية مع فني الخدمة المعتمد من المصنع لإعداد برنامج مناسب. إذا كانت هناك أسئلة لا يمكن لوكالة الخدمة الرد عليها، يرجى الاتصال بإدارة الخدمات الفنية في KitchenCare على 724-2273 (844).

⚠ خطر

افصل مصدر التيار الكهربائي قبل خدمة هذه الوحدة أو تنظيفها. واتخذ إجراءات وقائية ضد تشغيل الطاقة حتى لا يتم استعادتها بصورة عرضية. وقد يؤدي عدم الالتزام بذلك إلى إصابة خطيرة. في حالة تشغيل أفران مرصوصة، فيعني ذلك أكثر من نقطة توصيل تيار كهربائي، لذلك تأكد أن جميع المفاتيح في وضع "إيقاف التشغيل" قبل إجراء التنظيف أو الصيانة.

⚠ خطر

يتحمل مالك الآلة المسؤولية عن إجراء تقييم للمخاطر لتحديد الحاجة إلى معدات الوقاية الشخصية وذلك لضمان توافر القدر الكافي من الحماية أثناء تنفيذ إجراءات الصيانة.

وللحفاظ على الكفاءة القصوى للفرن، يجب تنظيف جميع فتحات التهوية في الفرن بانتظام. ويحدد استخدام الفرن ونوع المنتج معدل عملية التنظيف. يجب فحص سلسلة تدوير الناقل خلال دورة التنظيف الأسبوعية لتبين ما إذا كان منحللاً. فمن شأن تشغيل السلسلة وهي منحللة أن يؤدي إلى إتلاف محرك تدوير الناقل.

إذا تعذر تشغيل الفرن، فافحص قاطع الدائرة للتأكد من تشغيله. كما يجب التحقق من المصهرات في لوحة التحكم للتأكد من أنها جيدة قبل الاتصال بفني الخدمة المعتمد من المصنع.

اختيار أحد الإعدادات المسبقة

1. اضغط ضغطاً مستمراً على مفتاح التحكم المطلوب (على سبيل المثال 1). بعد أربع ثوانٍ، ستتغير شاشة العرض من عرض درجة الحرارة والوقت أو PRESET (1-4) إلى PRESET 1.



2. حرر الضغط عن المفتاح على الفور. الآن، أصبح الإعداد المسبق 1 نشطاً وستعرض رسالة PRESET 1 ACTIVATED (الإعداد المسبق 1 منشط) لمدة 3 ثوانٍ، ومن ثم سيعود العرض مرة أخرى إلى PRESET 1 (الإعداد المسبق 1) كما هو مبين في الرسوم التوضيحية التالية:



سيبدأ عنصر التحكم بالعمل الآن وفقاً لإعدادات الوقت ودرجة الحرارة المخزنة في المفتاح PRESET 1.

يتم ضبط كل من مفاتيح PRESET (الإعداد المسبق) (1 إلى 4) واختيارها بالطريقة نفسها.

لتغيير سرعة السير الناقل

(عند التكوين باستخدام سير مجزأ)

1. عندما يتم تشغيل الفرن، سيبدأ تشغيل جميع السيور تلقائياً. لتعديل سرعة الناقل، اضغط ضغطاً مستمراً على مفتاح TIME (الوقت) إلى أن يظهر الناقل المطلوب على العرض.
2. اضغط مفتاح + أو - إلى أن تعرض SET POINT TIME (نقطة ضبط الوقت). أثناء الضغط على الزر، ستعرض الشاشة السير الجاري ضبطه. سوف تحتاج إلى مواصلة الضغط على الزر لمدة أربع ثوانٍ تقريباً.
3. سوف تعرض الشاشة "Please Release" (يرجى تحرير الزر) عندما يحين وقت تحرير الزر. سيتم ضبط سرعة السير.
4. لتغيير سرعة السير الثاني، اضغط ضغطاً مستمراً على الزر نفسه الذي كنت تضغط عليه من قبل.

تعليمات إيقاف تشغيل الفرن

1. اضغط مفتاح التشغيل / إيقاف التشغيل (ON/OFF) على وضع إيقاف التشغيل. سيتوقف الآن تشغيل الفرن.

إرشادات الطهو

1. أتح الفرصة للفرن إلى أن تستقر درجة حرارته لمدة 30 دقيقة على الأقل:
 - عند البدء من وضع إيقاف التشغيل (OFF)
 - بعد كل تغيير في إعداد مسبق
 - بعد أي تغيير في درجة حرارة الطهو

برمجة درجة الحرارة والوقت المعروضين كإعداد مسبق

1. اضغط ضغطاً مستمراً على مفتاح التحكم المزعم استخدامه كمفتاح إعداد مسبق (على سبيل المثال 1).
2. بعد أربع ثوانٍ، ستتغير شاشة العرض من عرض درجة الحرارة والوقت أو (1-4) PRESET (إعداد مسبق [1-4]) إلى PRESET 1 (إعداد مسبق 1) لا تحرر الضغط عن المفتاح.



3. استمر في الضغط لمدة 11 ثانية أخرى (15 ثانية في المجموع) إلى أن تظهر رسالة PRESET 1 UPDATED (تم تحديث الإعداد المسبق 1). حرر المفتاح. ستظل UPDATED (محدث) معروضة لمدة 3 ثوانٍ.



تم تأكيد درجة الحرارة والوقت المختارين (على سبيل المثال F400 و 5:00) بوصفهما الإعداد المسبق 1.

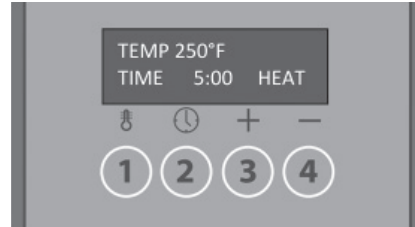
3. لتغيير نقطة ضبط الوقت للسير:

- A. اضغط مفتاح TIME (الوقت)، وسيعرض ما يلي. حرر المفتاح.



- B. اضغط مفتاح + أو - إلى أن تعرض SET POINT TIME (نقطة ضبط الوقت).

في حالة عدم الضغط على أي مفتاح لمدة خمس ثوانٍ، سيبدأ عنصر التحكم في تشغيل درجة الحرارة والوقت المعروضين.

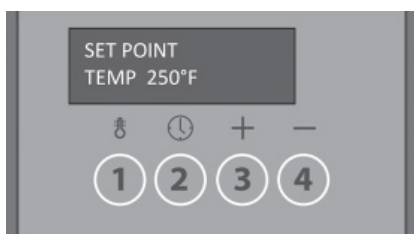


1. اضغط ضغطاً مستمراً على مفتاحي TEMP (درجة الحرارة) و TIME (الوقت) لمدة 2-3 ثوان إلى أن تظهر SET POINT (نقطة الضبط). حرر المفاتيح. وهكذا أصبح عنصر التحكم في وضع EDIT (التحرير).



2. لتغيير نقطة ضبط درجة الحرارة:

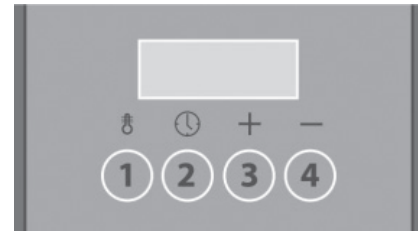
A. اضغط مفتاح TEMP (درجة الحرارة) ثم حرره، وسيعرض ما يلي.



B. اضغط مفتاح + أو - إلى أن تعرض SET POINT TEMP (نقطة ضبط درجة الحرارة).

التشغيل مسبق الإعداد (الطرازات التي بها 4-3-2-1)

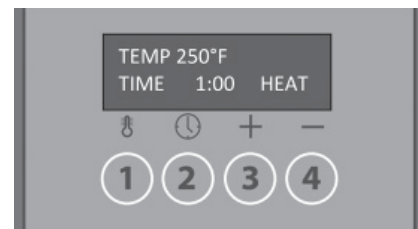
يوجد بواجهة الفرن أربعة مفاتيح تحكم وشاشة فلوريسنت تفرغية 2x16. ومفاتيح التحكم الأربعة هي TEMP (درجة الحرارة)، TIME (الوقت)، +، و-، وتقع أعلى الأرقام 1، 2، 3، و4 المحاطة بدائرة.



وكل مفتاح منها له وظيفة إضافية حيث يمثل أحد الإعدادات المسبقة.

ضبط درجة الحرارة والوقت

أثناء التشغيل العادي ستشير الشاشة إلى نقاط ضبط درجة الحرارة التشغيلية (TEMP) والوقت (TIME) أو PRESET [الإعداد المسبق] (1 إلى 4) على النحو التالي:



أو



قبل برمجة أحد مفاتيح الإعداد المسبق (1-4)، يجب ضبط الفرن على الوقت ودرجة الحرارة المطلوبين لهذا الإعداد المسبق. ملحوظة: غير الوقت ودرجة الحرارة قبل برمجة أعداد مفاتيح الإعداد المسبق.

التشغيل والبرمجة (جميع الطرازات)

مقدمة – بدء التشغيل وإيقاف التشغيل

فيما يخص المشغل، تحتوي اللوحة على التوصيل بالطاقة، التشغيل، وأوضاع قائمة البرامج. لبدء تشغيل الفرن، قم بتشغيل مفتاح الطاقة. لإيقاف تشغيل الفرن، قم بإيقاف تشغيل مفتاح الطاقة.

مخطط اللوحة الأمامية

تحتوي اللوحة الأمامية على أربعة (4) أزرار ضغط لحظية: TEMP [درجة الحرارة] و TIME [الوقت] و + و - وهناك شاشة عرض VFD من سطرين 16 × حرفاً.

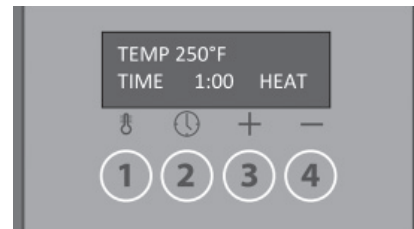
نقاط ضبط درجة الحرارة

بالنسبة لأفران Digital Advantage، هناك نقطة ضبط واحدة. للدخول لوضع نقاط الضبط، اضغط على زر TIME و TEMP ضغطاً مستمراً لمدة 5 ثوان. عند الضغط على الزر TEMP، تعرض الشاشة الإعداد الحالي. اضغط زر + أو - لرفع أو خفض درجة الحرارة إلى الإعداد المطلوب. وفي وضع درجة الفهرنهايت (F) يتم تعديل درجة الحرارة بمقدار 5 درجات. وفي وضع الدرجة المنوية (C)، يتم ضبط درجات الحرارة بمقدار درجة واحدة مئوية. اضغط ضغطاً مستمراً على الزرين + أو - من أجل "تمرير" الإعدادات بمعدل أسرع. عند تحديد درجة الحرارة المطلوبة، حرّر جميع الأزرار. وبعد مرور 5 ثوان، سيتم تخزين نقاط الضبط المحددة سيحتفظ بها في الذاكرة.

نقاط ضبط الوقت

توجد نقطة ضبط واحدة لسرعة الناقل. ادخل وضع نقطة الضبط على النحو المذكور أعلاه. عند الضغط على الزر TIME (الوقت)، ستعرض الشاشة إعداد السرعة الحالي. وسيعمل الضغط على زر + أو - إلى رفع أو خفض إعداد السرعة إلى الإعداد المطلوب. يمكن تعيين السرعة على النحو التالي:

- 1:00 إلى 9:55 بمقادير زيادة 5 ثوان
- 10:00 إلى 12:45 بمقادير زيادة 15 ثوان
- 13:00 إلى 19:30 بمقادير زيادة 30 ثوان
- 20:00 إلى 30:00 بمقادير زيادة 1 دقيقة



القفز فيما بين القوائم

سيؤدي الضغط على زر الضغط TIME أثناء الوجود في وضع الإعداد TEMP (والعكس بالعكس) إلى قفز اختيار القائمة إلى هذا الوضع.

الرسائل التشخيصية

يتوافر في أفران Digital Advantage رسائل تشخيصية في وحدة التحكم. في حالة وجود عطل غير متوقع في عمل الفرن، تظهر الرسائل التالية في وحدة التحكم.

مجس مفتوح

يحدث هذا في حالة عدم إرسال درجة الحرارة إلى أداة التحكم من غرفة الخبز.

تعطل السير

يحدث هذا عند وجود عطل في محرك الناقل.

مفتاح عكس اتجاه الحركة

الفرن به مفتاح عكس اتجاه حركة السير بالجانب الخلفي لعلبة التحكم.

الوظائف

مفتاح القاطع الحراري

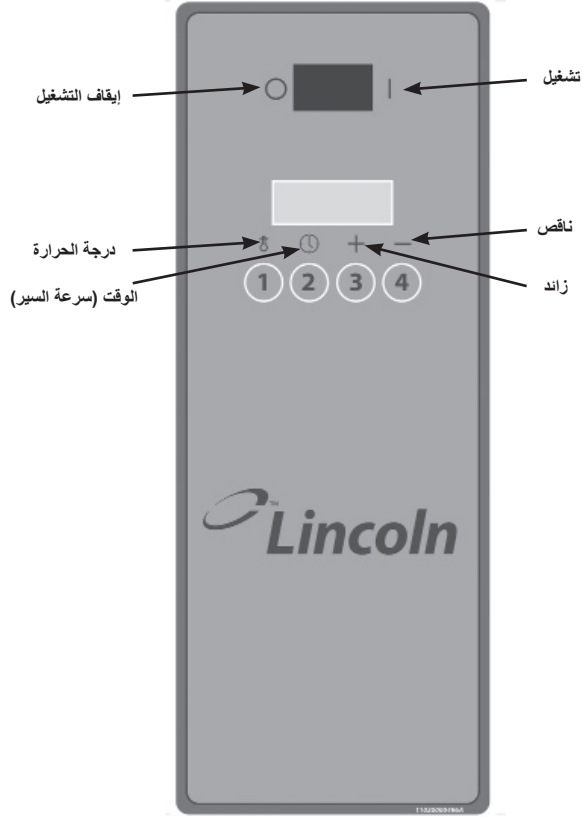
يتضمن فرن 3240 الكهربائي "مفتاح قاطع أمان حراري" لحمايتك. وقد صمم جهاز الأمان هذا لضمان عدم زيادة سخونة وحدة Impinger I بصورة مفرطة تلحق الضرر بالوحدة. في الحالات النادرة التي قد تتجاوز فيها حرارة الوحدة Impinger I نطاق درجة الحرارة التشغيلية المحددة، سيتم تفعيل "مفتاح قاطع الأمان الحراري" وبالتالي إعاقة وصول الطاقة للوحدة Impinger I مما يؤدي إلى إيقاف تشغيلها.

⚠ تنبيه

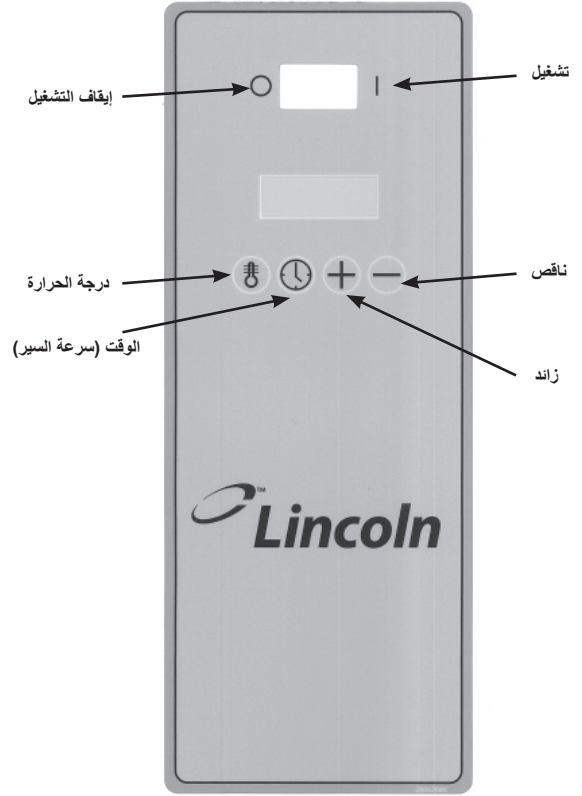
لتجنب المخاطر الناجمة عن إعادة ضبط القاطع الحراري عن غير قصد، يجب عدم تزويد هذا الجهاز بالطاقة من خلال جهاز تبديل خارجي مثل مؤقت أو توصيله بدائرة تكون قيد التشغيل وإيقاف التشغيل بصورة منتظمة من قبل مرفق الكهرباء.

في الطرازات بدون 1-2-3-4، انتقل إلى الصفحة 22، "لتغيير سرعة السير الناقل."

القسم 3 التشغيل



إذا كانت اللوحة الفوقية تبدو هكذا، فإن تعليمات تشغيل الإعداد المسبق تبدأ في الصفحة 19.



إذا كانت اللوحة الفوقية تبدو هكذا، فإن تعليمات تشغيل الإعداد المسبق لا تنطبق.

⚠️ خطر

يتحمل المشرف بموقع العمل المسؤولية عن التأكد من معرفة المشغلين بالأخطار الملازمة لتشغيل هذه الآلة.

⚠️ تحذير

لا تعمل حول الناقل بشعر طويل أو ملابس فضفاضة أو مجوهرات متدلّية. فقد يتسبب الاشتباك في السير في حدوث إصابة بالغة.

⚠️ تحذير

يكون الجانب الأمامي للفرن ساخناً أثناء التشغيل. يجب توخي الحرص عند العمل حول الفرن. عند استخدام باب الوصول الأمامي، تأكد من تأمين باب الوصول في موقعه الصحيح عند الانتهاء. فقد يؤدي عدم تأمين الباب إلى انفتاح الباب لأسفل محدثاً حروفاً.

معلومات حول استخدام الفرن

يعمل فرن Impinger® من خلال توجيه التدفقات عالية السرعة من الهواء المسخن مباشرة على منتجات الطعام. وحيث أن الهواء هو مصدر الحرارة، فإنه فعال حتى على الأطعمة الحساسة. وبالمقارنة بالأفران التقليدية والأفران التي تعمل بالحمل الحراري، يمكن أن يكون وقت طهو المنتجات في أفران الناقل الكهربائي Impinger® أسرع بمرتين إلى أربع مرات. وهناك عوامل عديدة من شأنها التأثير على وقت الطهو لأي منتج معين، مثل: (1) إعداد حرارة الفرن، (2) سرعة الناقل، (3) وضع لوح التعميد (توجيه الهواء) في الفرن، (4) ضبط الحاجزين الموجودين على فتحات الناقل.

وإننا نشجع على تجربة إعدادات درجة حرارة مختلفة للفرن وكذلك سرعات مختلفة للسير. حاول أيضاً التحكم في طهو المنتج من خلال إعادة ترتيب ألواح التعميد (توجيه الهواء) الاختيارية.

قائمة التحقق للتركيب

⚠ خطر

راجع جميع توصيلات الأسلاك، بما في ذلك الأطراف الكهربائية الخارجية من المصنع، وذلك قبل التشغيل. فمن الممكن أن تتحل التوصيلات أثناء الشحن والتركيب.

⚠ تحذير

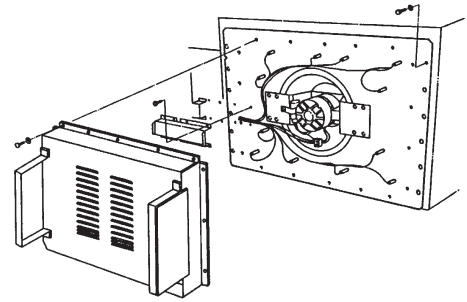
بعد الانتهاء من أية أعمال تركيب أو خدمة، قم بإجراء اختبار لوجود تسرب غاز قبل إرجاع المعدة إلى الخدمة. لا تقم مطلقاً باستخدام النقباب أو الشمع أو أي مصدر إشعال آخر لفحص وجود التسرب. في حالة اكتشاف رائحة غاز، أغلق مصدر إمداد الغاز للجهاز من صمام الغلق الرئيسي واتصل على الفور بشركة الغاز المحلية أو أي وكالة خدمة معتمدة لتقديم الصيانة.

لا تحاول تشغيل الفرن حتى تتم معاينة توصيلات خدمة المرافق والتركيب بالكامل (فحص بدء التشغيل) من قبل فني خدمة معتمد من المصنع أو أحد ممثلي الخدمة بشركة Lincoln Foodservice Products, LLC. وتتشرط شركة Lincoln Foodservice Products, LLC إجراء هذه الخدمة للتأكد من أن الفرن (الأفران) مركب بشكل صحيح وصالح للعمل. يبدأ سريان الضمان بعد التحقق من صحة التركيب.

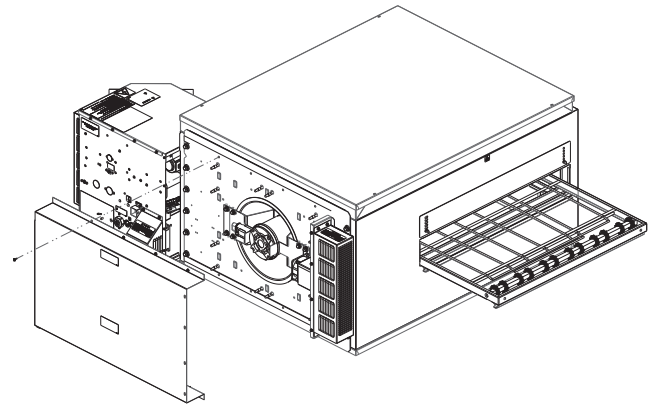
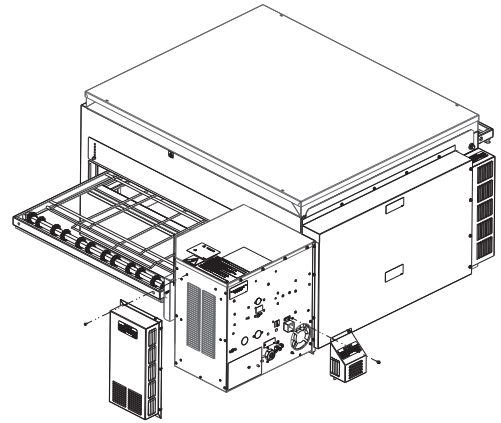
لا يسري الضمان إذا تم بدء تشغيل الفرن والعمل عليه قبل إجراء "فحص بدء التشغيل" من قبل فني خدمة معتمد من المصنع أو أحد ممثلي الخدمة لشركة Lincoln Foodservice Products, LLC.

قائمة التحقق

- هل تم الحفاظ على مسافات الخلوص الصحيحة؟
- هل يلبي نظام التهوية المتطلبات؟
- هل تم ربط الأرجل والعجلات بإحكام؟
- هل الوحدة مستوية؟
- هل تم تركيب مقيد الحركة لمنع الحركة الخارجية عن السيطرة؟
- هل تم عمل كافة الوصلات الكهربائية وتأريض الوحدة؟
- هل هناك مفتاح فصل منفصل لكل فرن؟
- هل تم فحص جميع وصلات الأسلاك بما في ذلك وصلات المصنع؟



1400 غاز و60 هرتز كهربائي



50 هرتز CE كهربائي

50 هرتز CE كهربائي

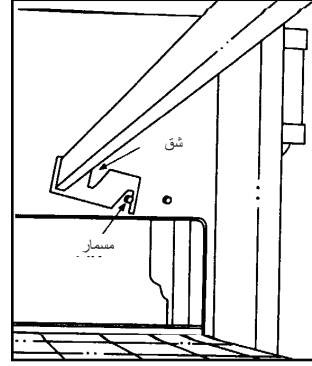
⚠ تحذير

هذه الأغشية يجب تركيبها على الأفران الكهربائية 50 هرتز. علماً بأن تشغيل فرن كهربائي 50 هرتز (أي فرن كهربائي يحتوي على علامة الاتحاد الأوروبي "CE") دون هذه الأغشية ممنوع قانوناً وينطوي على خطورة. ومن شأن عدم القيام بذلك أن يتسبب في وقوع حادث.

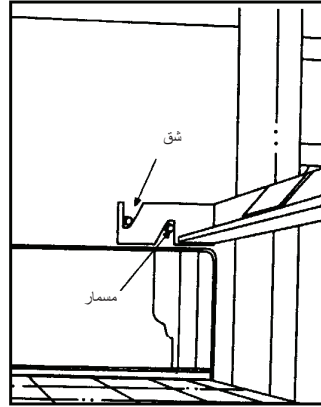
مجموعات الأصابع

6. أدخل الأصابع المجمعَة عبر فتحة الباب مبتدئاً بالجانب الأيسر السفلي. ملحوظة: يجب أن يخبرك العميل بالمكان الذي ينبغي أن توضع فيه الأصابع المجمعَة المناسب لاستخدامه.
7. ركب الأصابع في الفرن عن طريق تمريرها فوق شفة جهاز التهوية النفاخ ووضعه الدعامة الأمامية. (انظر الشكلين 6 و7). تأكد من استقرار الأصابع باعتدال فوق شفاه جهاز التهوية النفاخ وأن الثقوب موجهة إلى الاتجاه الصحيح. حيث يجب أن تشير الأصابع العلوية لأسفل والأصابع السفلية لأعلى. (انظر الشكل 8).
8. كرر الخطوة 7 حتى يتم تركيب جميع الأصابع الثمانية (8).
9. ركب الناقل وأواني تجميع الفتات قبل التشغيل. انظر "التنظيف الأسبوعي" في القسم 4 للحصول على التعليمات.

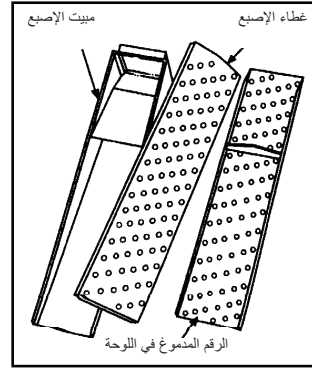
1. قبل تركيب الدعائم الحاملة في الفرن (الأفران) تأكد من إزالة جميع مواد التعبئة من غطاء حجرة التهوية. ركب الدعائم الحاملة للأصابع عن طريق وضعها رأساً على عقب مع ربط المسامير الحامل على النحو الموضح. (انظر الشكل 1).
2. أدر دعائم الأصابع إلى أن تستقر الشقوق الموجودة في الدعائم على المسامير الحاملة. (انظر الشكل 2).
3. قم بتجميع الأصابع على النحو الموضح في الشكلين 3 و 4.
4. أدخل لوح تعميّد (توجيه) الهواء الساخن بحيث تكون الدرجة تحت شفة مبيت الإصبع ويكون اللوح متساوياً مع الحافة الجانبية للمبيت.
5. ركب الغطاء من خلال تمريره فوق الطرف الصغير. (انظر الشكل 5).



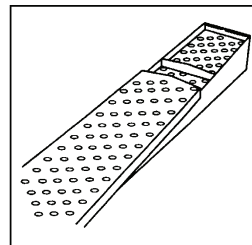
الشكل 1



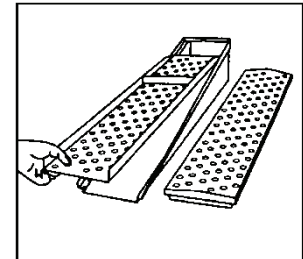
الشكل 2



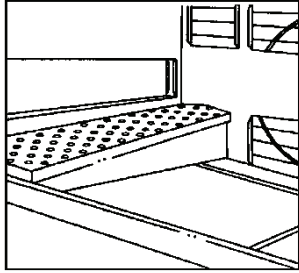
الشكل 3



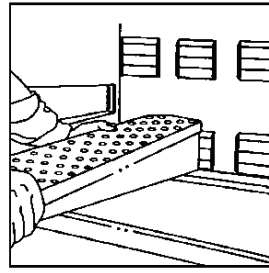
الشكل 5



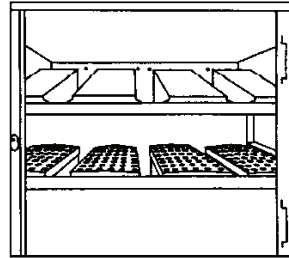
الشكل 4



الشكل 7

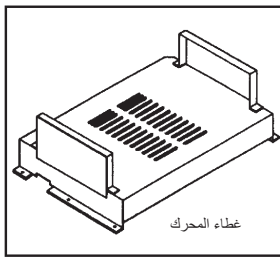


الشكل 6

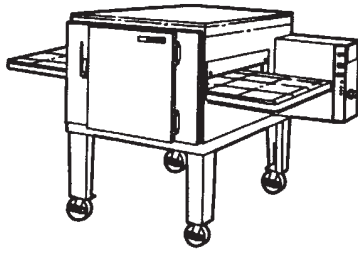


الشكل 8

10. اربط غطاء المحرك على النحو الموضح بواسطة المسامير المرفقة.



غطاء المحرك



2. ارفع الفرن من العربة وضعه على المنصة. يجب أن تكون لوحة التحكم على الجانب الخلفي الأيمن عند مواجهتك للفرن. تأكد من وضع الفرن بشكل معتدل على المنصة وأن يستقر عليها بشكل تام. لفرن مفرد، ركب الجزء العلوي. لفرنين، انظر الخطوة 3.



3. إذا قمت بشراء فرن بتراص ثنائي، ضع الفرن الثاني أعلى الفرن الأول. تأكد من وضعه باعتدال على المنصة واستقراره عليها بشكل تام. ويجب أن تكون لوحة التحكم في الجانب الخلفي الأيمن. والآن ركب الجزء العلوي للفرن.

تعليمات الرص

يمكن تركيب وحدات من طراز السلسلة 1400 إما فوق فرن 1000 (Impinger® I) أو 1200 (Impinger® III) بإضافة غطاء مدخنة، قطعة #1465، إلى الوحدة السفلية. وحيث أن وحدات السلسلة 1400 دون مداخن، يمكن تركيبها أسفل فرن Impinger® I أو III بدون وصلة مدخنة. وحدات السلسلة 1400 غير معتمدة للتركيب مع أو فوق أو تحت أي آلة خلاف المحددة أعلاه.

تنبيه

لا ترفع الأفران من علبة التحكم. ارفعها من التجويف الرئيسي للفرن فقط. فقد تتضرر عناصر التحكم الخاصة بالفرن إذا رفع علبة التحكم.

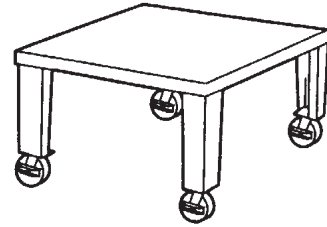
أخرج الوحدة من صندوق الشحن. أخرج كل مكونات الأصابع والناقل. يمكن وضع الوحدة على الجانب الأيسر (الجانب المقابل لصندوق التحكم) على عربة متحركة ذات أربع عجلات، وستمر من مدخل 762 مم (30 بوصة).

تركيب صمام الغاز اليدوي

عند تركيب صمام الغاز المورد مع الفرن فإننا نقترح وضع مرفق (كوع) على أنبوب الفرن أولاً. فسيتيح ذلك وصل الخرطوم المرن في الاتجاه السفلي للقضاء على الإجهاد المحتمل على الخرطوم.

مجموعة المنصة والأصابع

مجموعات المنصة



1. تأتي المنصة في شكل مستطيل قياسه 1016 ملم (40 بوصة) × 1245 ملم (49 بوصة). ويجب وضعها في مكانها مع جعل الجانب البالغ 1016 ملم (40 بوصة) في مواجهة الخارج. وسيكون هذا الجانب الأمامي للفرن. وباستخدام ميزان الماء، اضبط مستوى جميع الجوانب الأربعة (4) للمنصة. لرفع أو خفض المنصة، استخدم ضابطات الأرجل. تتطلب الأفران المزودة بعجلات أرضية مستوية. ملحوظة: يأتي الجزء العلوي للفرن معاً مع منصة الفرن. أزل الجزء العلوي عن المنصة قبل التجميع.

التركيب

تمثل التعليمات التالية دليلاً للتحضير لتركيب السلسلة 1400 من أفران السير الكهربائي الناقل **Impinger®**. أولاً وقبل أي شيء، يجب فحص كل من صناديق الشحن قبل توقيع وثيقة الشحن للإبلاغ عن أي ضرر ظاهر تسبب فيه قائد الشاحنة خلال عملية النقل والتأكد من صحة عدد صناديق الشحن.

التفريغ

عند وصول الفرن يجب أن يتكون من:

1. صندوق يحتوي على بدن الفرن والناقل والأصابع وأواني تجميع الفتات، ومصدات الأواني. (ربما تم تعبئة الناقل بصورة منفصلة في بعض الطرازات.)

2. حزمة تحتوي على المنصة والجزء العلوي.

يوصى بتحضير جهاز لمناولة المواد من أجل التفريغ.

لا ترفع أوزاناً ثقيلة!

في حالة وجود ضرر ظاهر:

الولايات المتحدة وكندا: يجب اتخاذ إجراءات للتقدم بمطالبة ضد الشركة الناقلة، حيث تقتضي اللوائح التنظيمية التجارية فيما بين الولايات بأن يرفع المرسل إليه المطالبة.

جميع الشحنات المرسله إلى البلدان الأخرى: ستوضع وتقدم شروط الشحن على أساس فردي.

يجب توفير مرافق تخزين مناسبة وأمنة للفرن (الأفران). وإذا اقتضى الأمر، يجب حمايته دائماً من الظروف الخارجية أو الرطوبة قبل التركيب.

الإخراج من صندوق الشحن

بعد إنزال جميع صناديق الشحن، افتح الصناديق وانزع الأغشية البلاستيكية. وفتش فوراً عن أية أضرار مخفية. وإذا ما بدا وجود أي أضرار، اتصل بالأشخاص المعنيين على الفور للتقدم بمطالبة للتعويض عن الضرر. بعد إتمام هذه المعاينة، قم بإنهاء إخراج الفرن وكافة المكونات الأخرى من الصندوق. تأكد من إزالة كرتون التعبئة من غطاء حجرة التهوية. انقل جميع المكونات للداخل بالقرب من المنطقة التي سيتم فيها التجميع وفقاً لترتيب تجميعها.

يمكن للفرن أن يمر عبر مدخل قياسه 762 ملم (30 بوصة) من خلال اتباع الإجراء التالي:

- حل الناقل؛ انظر قسم "التنظيف الأسبوعي" للاطلاع على التعليمات. (ربما تم تعبئة الناقل بصورة منفصلة في بعض الوحدات.)
- أزل المسامير الملولبة الإبهامية ولوح موازنة الهواء من الجانب الأيسر للفرن.

متطلبات تقييد الحركة – جميع الأفران المركبة على عجلات

⚠ خطر

يجب تركيب جميع الأرجل أو العجلات، ويجب ربط الأرجل/العجلات بالكامل لمنع الانثناء. عند تركيب العجلات فإن كتلة هذه الوحدة قد تؤدي إلى تحركها دون سيطرة على سطح مائل. وهذه الوحدات، في حال توصيلها بشكل دائم، يجب تقييدها/تأمينها امتثالاً لجميع الأكواد المعمول بها، بحيث لا ينتقل الإجهاد إلى مواسير إمدادات الكهرباء.

- يجب أن يتم التركيب باستخدام وصلة غاز متوافقة مع الإصدار الأخير لمعيار الموصلات الخاصة بأجهزة الغاز القابلة للحركة ANSI Z21.69، وجهاز فصل سريع متوافق مع أحدث إصدار من معيار أجهزة الفصل السريع للاستخدام مع وقود الغاز ANSI Z21.41.

في كندا: يجب إجراء التركيب باستخدام وصلات غاز متوافقة مع أحدث إصدار من الكود الكندي CSA 6.16 وفواصل سريعة متوافقة مع أحدث إصدار من الكود الكندي CSA 6.9.

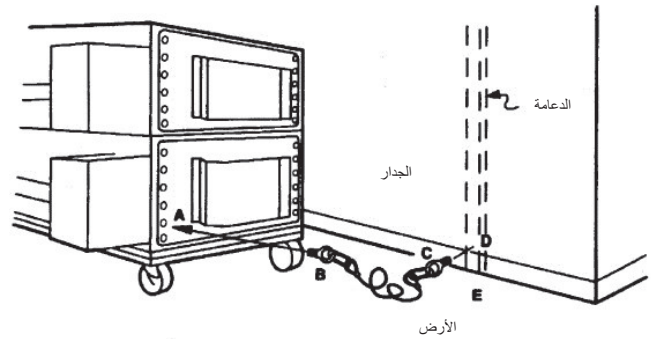
في أستراليا: يجب التركيب وفقاً لكود تركيب الغاز رقم AS 5601-2004 و 4563-2004.

- يجب أن يعمل مقيد الحركة المركب على الحد من حركة الفرن (الأفران) دون الاعتماد على الوصلة، أو جهاز الفصل السريع أو الأنابيب المصاحبة لها في الحد من حركة الفرن.
- إذا تعين فصل مقيد الحركة أثناء الصيانة أو التنظيف، يجب إعادة توصيله بعد إعادة الفرن إلى وضعية تركيبه الأصلية.

الإجراء

1. اربط عروة الرفع "B" لمجموعة الكبل في الثقب "A".
 2. اربط المسمار ذا العروة "C" لمجموعة الكبل في القائم المثبت بالحائط "D" أو نقطة التثبيت الموجودة بالأرضية "E".
- ملحوظة: نقاط التركيب هي ذاتها الخاصة بالفرن المفرد أو الأفران المتراسة.

الجزء الخلفي لفرن مزدوج



متطلبات مسافات التباعد

⚠ تحذير

تفادياً لعدم استقرار الآلة يجب أن يكون موضع التركيب قادراً على تحمل الوزن المجمع لكل من الآلة والمنتج. وعلاوة على ذلك يجب أن تكون الآلة مستوية من الجانب إلى الجانب ومن الأمام إلى الخلف.

يجب أن يعمل الشفاط في تناغم مع أنظمة التدفئة، والتهوية، وتكييف الهواء بالمبنى. ويتطلب عادة ما بين 1200 و3500 قدم مكعب في الدقيقة أو أكثر مع 70% من هواء تعويض. (نظراً لتنوع "كفاءة" تصاميم الشفاطات فمن الضروري تحديد مثل هذا النطاق الواسع لمقياس القدم المكعب في الدقيقة لجهاز التهوية). ويجب أن يتم التزويد بهواء التعويض إما من خلال تصميم الشفاط أو بواسطة نظام للتدفئة والتهوية وتكييف الهواء. وسيتفاوت ذلك تبعاً للشفاطات المصنعة من قبل مختلف الشركات.

تنبيه

امنع تدفق الهواء عبر مجرى الطهو. يجب عدم توجيه الهواء إلى الجزء الأمامي من الفرن أو على جانب منطقة الطهو أو مؤخرة الفرن.

نظام التهوية

ملحوظة: تعتبر هذه الأفران أفران "خدمة متوسطة للخبز" عند تقييمها لأغراض متطلبات كود التهوية.

المعلومات المبينة غرضها الاسترشاد بها في التهوية.

1. أبعاد الفرن مبنية دون أرفف تمديد. يجب يكون الطرف الخارجي لإطار الناقل داخل حدود المظلة بما لا يقل عن 152 مم (6 بوصات) كما هو مبين.
2. يجب أن تكون سرعة السحب عبر الحافة السفلية للمظلة 50 قدماً في الدقيقة عند الجوانب والأمام.
3. استخدام المرشحات عند منطقة العادم الخلفية على النحو الموضح.
4. عند بدء التشغيل، يجب فحص مستوى أول أكسيد الكربون حول حيز الفرن أسفل المظلة.
5. يجب أن يكون هذا المستوى > 10 جزء من المليون.
6. يجب توسيط هذه الأفران تحت حيز المظلة من اليسار إلى اليمين ومن الأمام إلى الخلف متى كان هذا ممكناً.
7. يوصى بترك حيز قدره 127 مم (5 بوصات) في مؤخرة الفرن للمرافق العامة.
8. ينصح التزويد بهواء تعويض بنسبة 70% خارج حدود المظلة من خلال موزعات معدنية متقبة موجهة لأسفل مباشرة — ليس على الفرن؛ بل على الأمام أو الجانبين أو كليهما.
9. يتعين عدم توجيه موزعات هواء الغرفة إلى الفرن ويجب وضعها على بعد 914 مم (3 أقدام) على الأقل من محيط الشفاط حتى لا تؤثر على الفرن.

يجب أن يتوافر للفرن مسافة خلوص 127 ملم (5 بوصات) عن الأسطح القابلة للاحتراق. في حالة وجود معدات أخرى على الجانب الأيمن من الفرن، يلزم وجود خلوص قدره 609 ملم (24 بوصة) على الأقل عن تلك المعدة. لجميع الأفران: يجب توافر خلوص قدره 609 مم (24 بوصة) في مؤخرة الفرن من أجل وصول الخدمة.

بالنسبة للأفران ذات التركيب الثابت: تتطلب الأفران ذات التركيب الثابت (غير القابلة للنقل) خلوصاً لا يقل عن 4 أمتار (13 قدم) على الجانب الأيمن للسماح بحل الناقل وتنظيفه وصيانته.

ملحوظة: لا يتم بتركيب هذا الفرن (الأفران) في أي مكان تزيد درجة حرارته المحيطة عن $35^{\circ}\text{C}/95^{\circ}\text{F}$ ؛ فمن شأن ذلك أن يتسبب في إلحاق الضرر بالوحدة.

متطلبات التهوية

يلزم وجود منفس: الهيمنة للأكواد المحلية. هذه هي "السلطة المختصة" على النحو المذكور من قبل الجمعية الوطنية للحماية من الحرائق في الإصدار الأخير للمعيار NFPA 96. فضلاً عن ذلك، امتثالاً للقسم 10.3.5.2 من المعيار NFPA 54، يجب تركيب هذه الوحدة مع أداة قفل تواجهي مع غطاء الشفاط يمنع الوحدة من العمل في حالة إيقاف تشغيل الشفاط. للحصول على معلومات إضافية عن التهوية، انظر أدناه.

إرشادات التهوية

يلزم وجود شفاط لطرد الحرارة وروائح الطهو. بالنسبة لأفران الغاز، يلزم وجود شفاط أيضاً لطرد نواتج الاحتراق. يجب أن يكون تركيب الشفاط وأنظمة التدفئة، والتهوية، وتكييف الهواء متوافقاً مع الأكواد المحلية ليحظى باعتماد السلطة المختصة. قد تختلف المتطلبات داخل البلد الواحد حسب الموقع من مدينة ومقاطعة وولاية. لذا يجب الحصول على المعلومات من السلطة المختصة لتحديد متطلبات التركيب. (ملحوظة: يعتبر هذا الفرن فرن "خدمة متوسطة للخبز" عند تقييمه لأغراض متطلبات كود التهوية.) واحصل على المعلومات واستعرض نسخاً من الأكواد أو الوثائق التي تستخدم في معاينة التركيب واعتماده. كما ينبغي الاتصال بمورد الشفاط ومقاول أنظمة التدفئة، والتهوية، وتكييف الهواء للحصول على إرشادات منهما. سيعجل الشفاط وأنظمة التدفئة، والتهوية، وتكييف الهواء المركبة والمصممة بصورة صحيحة من الحصول على الاعتماد، وكذلك سيقلل من تكاليف صيانة الفرن. يتحمل مالك الفرن مسؤولية توفير التهوية المناسبة.

متطلبات التركيب

ملحوظة: في حالة الحاجة إلى التحقق من الشعلة الدائمة، يمكن مرآة صغيرة للتحقق.

إذا توفرت خدمات مرنة، يجب أن تطابق متطلبات الكود الخاصة بتركيبها.

متطلبات كود الكهرباء

⚠ تحذير

يجب تأريض هذا الجهاز ويجب أن تكون جميع توصيلات الأسلاك بالموقع موافقة للأكواد المحلية والوطنية المعمول بها. ارجع إلى لوحة التقنين للتعرف على الجهد الصحيح. يتحمل المستخدم النهائي مسؤولية توفير وسائل الفصل تلبية لمتطلبات السلطة المختصة.

⚠ تحذير

يجب وضع هذه المعدة في موضوع يبسر الوصول إلى القابس ما لم تتوفر وسيلة فصل أخرى عن مصدر الطاقة (على سبيل المثال قاطع دائرة أو مفتاح فصل).

⚠ خطر

يجب صيانة جميع توصيلات المرافق والتجهيزات بما يتفق مع الأكواد المحلية والوطنية.

متطلبات كود الغاز

⚠ خطر

يجب ألا يتم تحويل هذا الجهاز للعمل أحد أنواع الغاز إلى نوع آخر إلا بواسطة فني تركيب أو خدمة مؤهل ومرخص ومعتمد. فقد يؤدي التحويل دون المكونات المناسبة إلى نشوب حريق أو وقوع انفجار.

⚠ تحذير

يجب تركيب صمام غلق يدوي في خط (خدمة) إمداد الغاز الواصل إلى الجهاز وفي موضع يمكن الوصول إليه بسهولة في حالات الطوارئ.

يتوقف التشغيل الآمن والمرضي لهذا الفرن إلى حد كبير على تركيبه بشكل صحيح، ويجب تركيبه على النحو المعمول به وفقاً للأكواد الوطنية لغاز الوقود وأحدث إصدار من المعيار ANSI Z223.1/NFPA 54، وتعليمات تركيب شركات التصنيع وأكواد البناء البلدية المحلية.

1. يجب فصل الفرن وصمام الغلق الخاص به من نظام أنابيب إمداد الغاز خلال أي اختبار للضغط لذلك النظام في حالات ضغط الاختبار التي تتجاوز 2/1 رطل للبوصة المربعة مقيس (3.45 كيلو باسكال).
2. يجب عزل الفرن عن نظام أنابيب إمداد الغاز من خلال إغلاق صمام الغلق اليدوي الخاص به خلال أي اختبار للضغط لنظام إمداد الغاز عند ضغط الاختبار الذي يعادل 3.45 كيلو باسكال مقيس (2/1 رطل للبوصة المربعة) أو أقل.

في ماساتشوستس: يتعين تركيب الفرن من قبل فني سباكة أو غاز مرخص. يجب أن تتم جميع هذه التوصيلات وفقاً لمتطلبات الكود المعمول بها. راجع قسم "متطلبات التركيب" للحصول على معلومات دقيقة.

الحد الأدنى لطول خرطوم إمداد الغاز المرن هو 914 مم (36 بوصة).

في كندا: يجب تركيب هذه الأجهزة وفقاً لأحدث إصدار من المعيار CSA B.149.1 - كود تركيب الغاز الطبيعي والبروبان - و/أو الأكواد المحلية.

في أستراليا: يجب تركيبه وفقاً لكود تركيب الغاز رقم AS 5601-2004 و 4563-2004.

في جنوب أفريقيا: يجب تركيبه بالتوافق مع SANS 10087-1 أو SANS 827، حسب الاقتضاء.

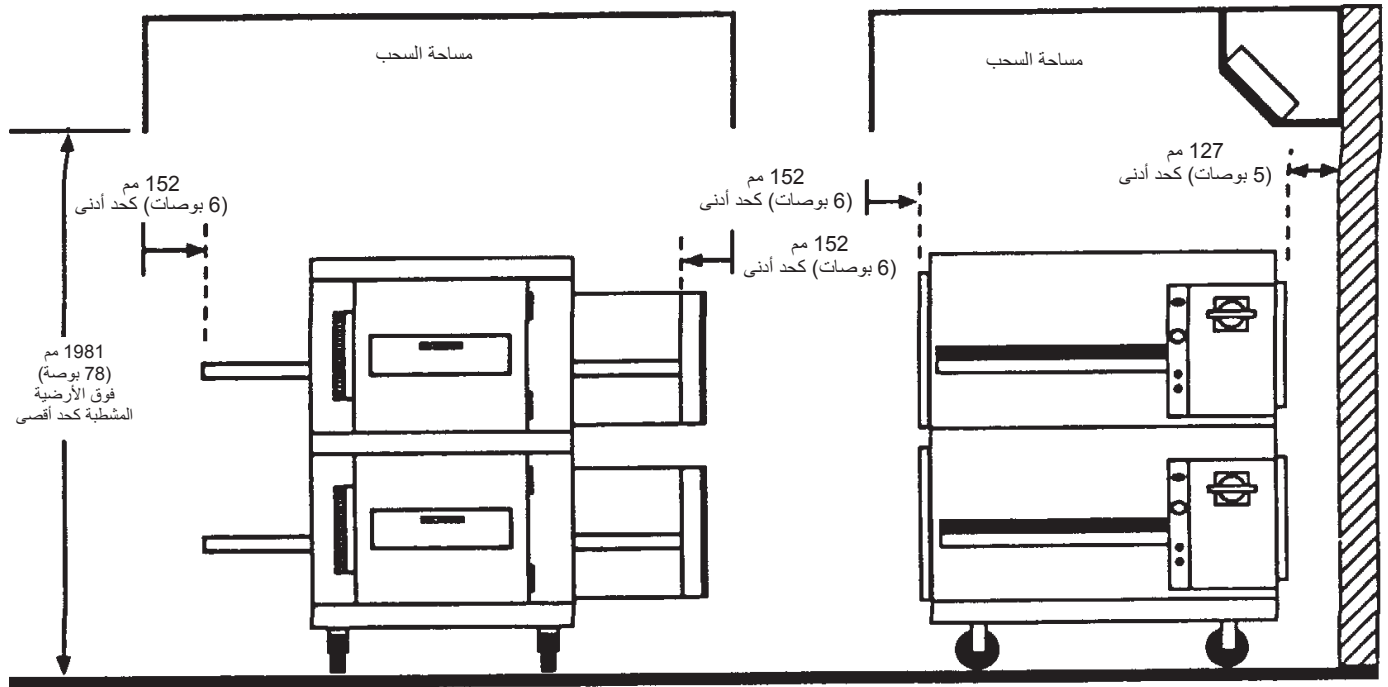
عند التركيب، يجب تأريض هذا الجهاز كهربياً كما يجب أن يكون تركيبه متوافقاً مع الكود الكهربائي الوطني، والإصدار الأخير من المعيار ANSI-NFPA 70، وتعليمات تركيب شركة التصنيع، وأكواد البناء البلدية المحلية المعمول بها.

في كندا: يجب عمل جميع وصلات الكهرباء وفقاً لأحدث إصدار من الكود CSA C22.2 - كود الكهرباء الكندي و/أو الأكواد المحلية.

جميع البلدان الأخرى: أكواد الغاز و/أو الكهرباء المحلية لها الأولوية.

1. يتوافر مع كل فرن جلبة لحماية الكابلات من الإجهاد. ويوفر الموزع الدولي/الموزعون كابل كهرباء/قابس لكل عميل.
2. يجب أن يتوفر في جميع مفاتيح فصل الأطوار مسافة تماس مفتوحة قدرها 3 مم.
3. لمنع التعرض لصدمة كهربائية، يتوافر في الخلف طرف ربط مؤرض للربط متساوي الجهد. ويسمح هذا بتوصيل الفرن بنظام ربط خارجي.
4. وفي حالة استخدامه في نظام رص ثنائي أو ثلاثي، وكان لكل فرن مفتاح الفصل الخاص به، فيجب أن تكون كافة المفاتيح قريبة من بعضها البعض.

توصيات تهوية مظلة الشفط



AFF = فوق الأرضية المشطبة

ملحوظة: يمكن لشركة Lincoln توفير صحيفة مواصفات الفرن التي توضح أبعاده وتقنياته الكيلو وات أو الوحدات الحرارية البريطانية والمعلومات الأخرى التي ستكون مفيدة لكل من لمورد الشفاط ومقاول أنظمة التدفئة، والتهوية، وتكييف الهواء.

ملحوظة: يمثل الرسم المبين تركيباً نموذجياً والهدف منه أن يكون إرشادياً فقط، وليس مواصفات صارمة لا يمكن الحيد عنها. تتباين أبعاد الشفاط وموضعه فوق الفرن حسب الشركات المصنعة له.

المواصفات – الطرازات ذات التسخين الكهربائي

مواصفات المرافق اللازمة – الكهربائية

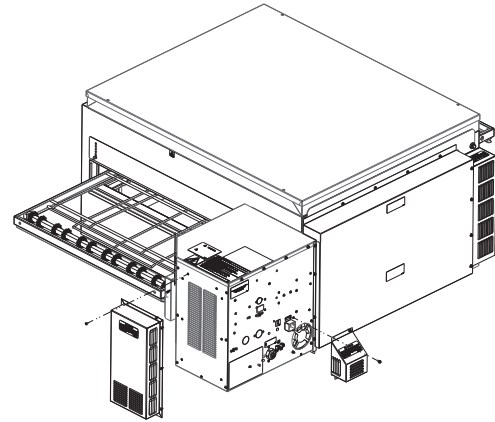
*الطراز	مصدر الطاقة	القدرة	الجهد الكهربائي	التيار	الطور	هرتز	المواصفات الكهربائية الموصى بها
1421-xxx-E-Kxxx	كهربائية	27 كيلو وات	230/400 فولت	40 أمبير	3	50 هرتز	5 أسلاك، 3 أطوار 1 محايد-1 أرضي
1452-xxx-U-Kxxx	كهربائية	27 كيلو وات	208/120 فولت	80 أمبير	3	60 هرتز	4 أسلاك، 3 أطوار 1 أرضي
1453-xxx-U-Kxxx	كهربائية	27 كيلو وات	240/120 فولت	70 أمبير	3	60 هرتز	4 أسلاك، 3 أطوار 1 أرضي
1454-xxx-N-Kxxx	كهربائية	27 كيلو وات	380 رأسي/220	41 أمبير	3	50 هرتز	5 أسلاك، 3 أطوار 1 محايد-1 أرضي
1455-xxx-N-Kxxx	كهربائية	27 كيلو وات	415 رأسي/240	38 أمبير	3	50 هرتز	5 أسلاك، 3 أطوار 1 محايد-1 أرضي
1458-xxx-E-Kxxx	كهربائية	27 كيلو وات	400	38 أمبير	3	50 هرتز	5 أسلاك، 3 أطوار 1 محايد-1 أرضي

الإمداد الكهربائي لأفران الكهرباء 3240 في أستراليا:

طور (فاز) أحادي: 240 فولت تيار متردد، 50 هرتز / 20 أمبير؛ واحد محايد وواحد أرضي/مؤرض.

ثلاثة أطوار: 415/240 فولت تيار متردد / 20 أمبير؛ ثلاثة فعالة، واحد محايد وواحد أرضي/مؤرض.

تتطلب جميع الأفران خدمات مرافق مستقلة ومحايد مخصص.



تحذير

هذه الأغشية يجب تركيبها على أفران 1400 الكهربائية ذات تردد 50 هرتز. علماً بأن تشغيل فرن كهربائي 50 هرتز (أي فرن 1400 كهربائي يحتوي على علامة الاتحاد الأوروبي "CE") دون هذه الأغشية ممنوع قانوناً وينطوي على خطورة. ومن شأن عدم القيام بذلك أن يتسبب في مشكلة تتعلق بالمسؤولية في حال وقوع حادث.

تنبيه

لا تقم بتركيب الفرن (الأفران) في أي مكان تزيد درجة حرارته المحيطة عن 35°C/95°F؛ فمن شأن ذلك أن يتسبب في إلحاق الضرر بالوحدة (الوحدات).

المواصفات - الطرازات ذات التسخين بالغاز

الخدمة الكهربائية - جميع الطرازات ذات التسخين بالغاز

الطور	الجهد (تيار متردد)	
1	120	أفران ذات تردد 60 هرتز
1	240/230	أفران ذات تردد 50 هرتز

تنبيه

لا تقم بتركيب الفرن (الأفران) في أي مكان تزيد درجة حرارته المحيطة عن $F^{\circ}95/C^{\circ}35$ ؛ فمن شأن ذلك أن يتسبب في إلحاق الضرر بالوحدة (الوحدات).

معلومات عامة - أفران الغاز 1400

*الطراز	مصدر الطاقة	القدرة	الجهد الكهربائي	التيار	الطور	هرتز	المواصفات الكهربائية الموصى بها	الغاز
1433-xxx-E-Kxxx	غاز طبيعي	الحرارة المحسوسة (Hs) 34.8 كيلو وات	230 فولت تيار متردد	3 أمبير	1	50 هرتز	3 أسلاك، قطب واحد 1 محايد-1 أرضي	حرارة محسوسة H_s 34.8 كيلو وات/الساعة عند 17.4 مللي بار عمود ماء** 3.88 م ³ /ساعة
1434-xxx-E-Kxxx	غاز بترولي مسال	الحرارة المحسوسة (Hs) 40 كيلو وات	230 فولت تيار متردد	3 أمبير	1	50 هرتز	3 أسلاك، قطب واحد 1 محايد-1 أرضي	حرارة محسوسة H_s 40 كيلو وات/ساعة عند 27.4 مللي بار عمود ماء** 1.14 م ³ /ساعة
1440-xxx-E-Kxxx	غاز طبيعي	35 كيلو وات	120 فولت تيار متردد	3 أمبير	1	60 هرتز	3 أسلاك، قطب واحد 1 محايد-1 أرضي	35 كيلو وات/ساعة عند 27.4 مللي بار عمود ماء**
1441-xxx-E-Kxxx	غاز بترولي مسال	35 كيلو وات	120 فولت تيار متردد	3 أمبير	1	60 هرتز	3 أسلاك، قطب واحد 1 محايد-1 أرضي	35 كيلو وات/ساعة عند 27.4 مللي بار عمود ماء**
1444-xxx-U-Kxxx	غاز طبيعي	120,000 وحدة حرارة بريطانية	120 فولت تيار متردد	5 أمبير	1	60 هرتز	3 أسلاك، قطب واحد 1 محايد-1 أرضي	120,000 وحدة حرارية بريطانية عند 7 بوصات عمود ماء**
1446-xxx-N-Kxxx	غاز طبيعي	120,000 وحدة حرارة بريطانية	230/220 فولت تيار متردد	5 أمبير	1	50 هرتز	3 أسلاك، قطب واحد 1 محايد-1 أرضي	120,000 وحدة حرارية بريطانية عند 1.7 كيلو باسكال
1447-xxx-N-Kxxx	غاز بترولي مسال	120,000 وحدة حرارة بريطانية	220 فولت تيار متردد	3 أمبير	1	60 هرتز	3 أسلاك، قطب واحد 1 محايد-1 أرضي	120,000 وحدة حرارية بريطانية عند 11 بوصة عمود ماء**
1450-xxx-U-Kxxx	غاز طبيعي	120,000 وحدة حرارة بريطانية	120 فولت تيار متردد	5 أمبير	1	60 هرتز	3 أسلاك، قطب واحد 1 محايد-1 أرضي	120,000 وحدة حرارية بريطانية عند 7 بوصات عمود ماء**
1451-xxx-U-Kxxx	غاز بترولي مسال	120,000 وحدة حرارة بريطانية	120 فولت تيار متردد	5 أمبير	1	60 هرتز	3 أسلاك، قطب واحد 1 محايد-1 أرضي	120,000 وحدة حرارية بريطانية عند 11 بوصة عمود ماء**
1456-xxx-B-Kxxx	غاز طبيعي	120,000 وحدة حرارة بريطانية	240/220 فولت تيار متردد	5 أمبير	1	50 هرتز	3 أسلاك، قطب واحد 1 محايد-1 أرضي	120,000 وحدة حرارية بريطانية عند 7 بوصات عمود ماء**
1457-xxx-B-Kxxx	غاز بترولي مسال	120,000 وحدة حرارة بريطانية	240/220 فولت تيار متردد	5 أمبير	1	50 هرتز	3 أسلاك، قطب واحد 1 محايد-1 أرضي	120,000 وحدة حرارية بريطانية عند 11 بوصة عمود ماء**
1474-xxx-E-Kxxx	غاز طبيعي	35 كيلو وات	220 فولت تيار متردد	3 أمبير	1	50 هرتز	3 أسلاك، قطب واحد 1 محايد-1 أرضي	35 كيلو وات/ساعة عند 27.4 مللي بار عمود ماء**

* راجع مفتاح رموز رقم الطراز، القسم 1.

المواصفات

البدين: فولاذ مقاوم للصدأ	الطاقة: الغاز و/أو الكهرباء
مستوى الديسيبل: ≥ 71 ديسيبل	نطاق درجة حرارة التشغيل:
موزون بالمنحنى (أ)	$C^{\circ}316 - C^{\circ}149$ (F [°] 600 - F [°] 300)

ملحوظة: من أجل التشغيل المناسب، يتطلب صمام الغاز ضغط دخول اسمي قدره 7 بوصات من عمود الماء للغاز الطبيعي و 11 بوصة من عمود الماء للغاز البترولي المسال. يجب الحفاظ على الحد الأدنى لضغط الدخول البالغ 1.0 بوصة من عمود الماء فوق قاعدة المشعب (مشعب الغاز الطبيعي 3.5 بوصة لعمود الماء، مشعب الغاز البترولي المسال 10 بوصات لعمود الماء) مع عدم انخفاض الضغط من حالة انعدام الحمل إلى الحمل الكامل. يجب الحفاظ على الحد الأقصى لضغط الدخول عند 2/1 رطل للبوصة المربعة مقيس أو أقل من ذلك (14.5 بوصة من عمود الماء). راجع الجدول إلى اليسار من أجل تحويلات الضغط.

جدول تحويل ضغط الغاز

البوصات من عمود الماء	كيلو باسكال	مللي بار	ملليمترات من عمود الماء
3.5	0.87	8.7	88.9
4.5	1.12	11.2	114.3
7	1.74	17.4	177.8
10	2.48	24.87	254.0
10.5	2.61	26.11	266.7
11	2.73	27.36	279.4
14	3.48	34.81	355.6
14.5	3.61	36.05	368.3

الإمداد الكهربائي لأفران الغاز 3240 في أستراليا:

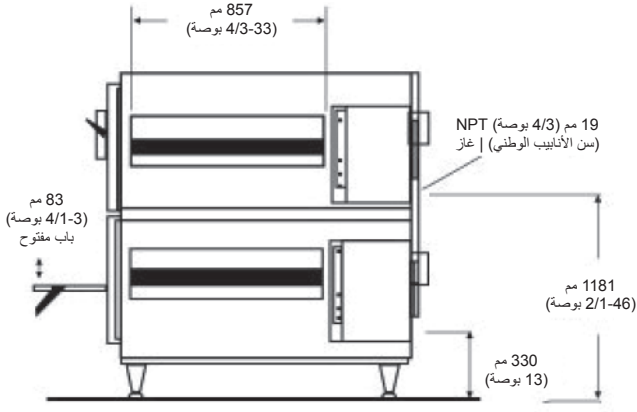
طور (فاز) أحادي: 240 فولت تيار متردد، 50 هرتز / 20 أمبير: واحد محايد وواحد أرضي/مؤرض.

ملحوظة: وفي أستراليا، استخدم مأخذ تيار كهربائي للأغراض العامة 10 أمبير.

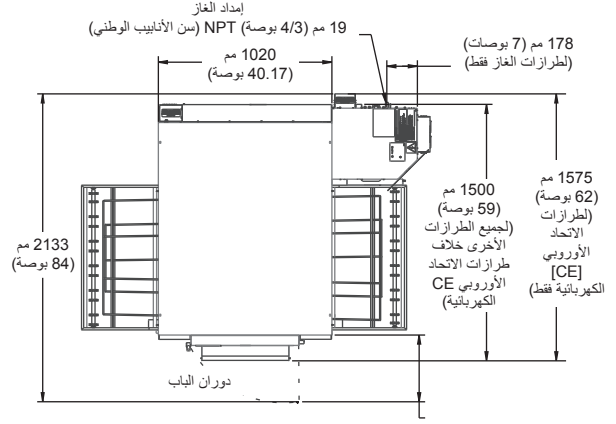
تتطلب جميع الأفران خدمة مرافق مستقلة ومحايد مخصص.

القسم 2 التركيب

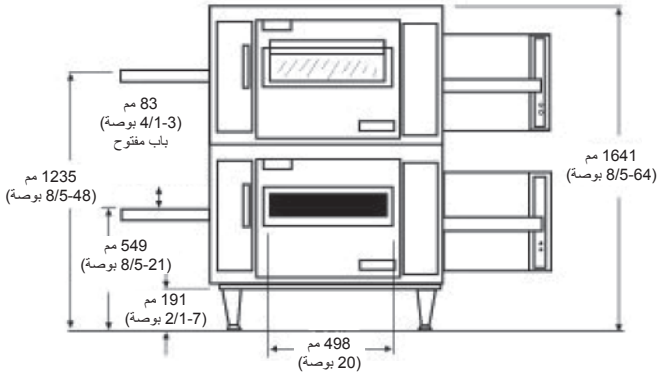
الأبعاد الخارجية – 1400



1400 مزدوج، عجلات 4-بوصات، منظر أيمن

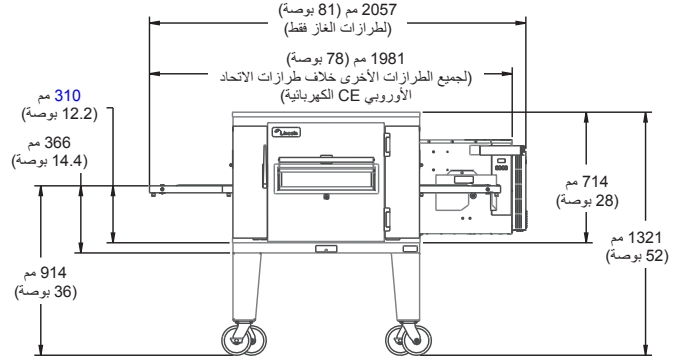


1400 منظر علوي، جميع تشكيلات الرص



الفرن مبين وبناب الوصول الزجاجي مفتوح

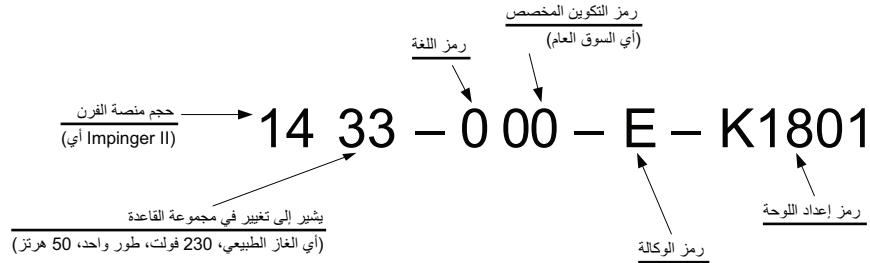
1400 مزدوج، عجلات 4-بوصات، منظر أمامي



1400 منصة طويلة، مفردة، عجلة 6-بوصات، منظر أمامي

مفتاح رموز رقم الطراز

مثال: 1433-B00-E-K1801



رمز الهيئة

الهيئة	الرمز
لا يوجد هيئة	N
الامتثال لتوجيهات الاتحاد الأوروبي (CE) والتوجيه المتعلق بتقييد استعمال مواد خطرة معينة في المعدات الكهربائية والإلكترونية (RoHS) مجتمعين	E
الالتزام لمعايير الولايات المتحدة وكندا فقط	U
فرن بتصميم مميز	A
مؤسسة الغاز الأسترالية	B

رمز اللغة

الرمز	اللغة	البلد
0	الإنجليزية	الإعداد الافتراضي محلياً ودولياً
B	الفرنسية	CE (الاتحاد الأوروبي) - فرنسا/ لكسمبرغ
C	الألمانية	CE - ألمانيا
D	الإيطالية	CE - إيطاليا
E	الإسبانية	CE - إسبانيا
F	الإنجليزية	CE - المملكة المتحدة/الهند/أفريقيا/ هنغاريا
G	الإسبانية	المكسيك/أمريكا اللاتينية
H	البرتغالية	CE - البرتغال
I	غير مستخدم	---
J	الدنماركية	CE - الدنمارك
K	الهولندية والفرنسية	CE - بلجيكا
L	الهولندية	CE - هولندا
M	اليونانية	CE - اليونان
N	الفنلندية	CE - فنلندا
O	مخصص	---
P	النرويجية	CE - النرويج
Q	الإنجليزية	اليابان
R	السويدية	CE - السويد
S	الإنجليزية	أستراليا
T	ماندرين	الصين
U	مخصص	---
V	الإنجليزية	بلدان حافة المحيط الهادئ/كوريا
W	الإنجليزية	الشرق الأوسط/أفريقيا
X	غير مستخدم	---
Y	غير مستخدم	---
Z	غير مستخدم	---

القسم 1

معلومات عامة

مسؤولية المشتري

يتحمل المشتري مسؤولية:

1. التأكد من أن خدمات الغاز والكهرباء للفرن مثبتة في الموقع وفقاً لمواصفات الشركة المصنعة.
2. إنزال الفرن من الشاحنة وإخراجه من صندوق الشحن وتركيبه في مكانه الصحيح وفقاً لدليل التركيب/التشغيل الحالي.
3. التأكد من أن خدمات الغاز والكهرباء موصلة بشكل صحيح من قبل فني تركيب مؤهل من اختيارك. التركيب في ولاية ماساتشوستس: يتعين تركيب الفرن من قبل فني سباكة أو غاز مرخص. يجب أن تتم جميع هذه التوصيلات وفقاً لمتطلبات الكود المعمول بها. راجع قسم "متطلبات التركيب" للحصول على معلومات دقيقة.
4. للترتيب للتفتيش وفحص التشغيل من قبل فني خدمة معتمد من المصنع على النحو الموصوف أدناه:

لا تحاول تشغيل الفرن حتى تتم معاينة خدمة المرافق بالكامل من

قبل فني خدمة معتمد من المصنع أو أحد ممثلي الخدمة بشركة

Lincoln Foodservice Products, LLC. يلزم إجراء هذه الخدمة من قبل شركة Lincoln Foodservice Products, LLC لمساعدة المشتري في عملية بدء تشغيل الفرن في الموقع بطريقة صحيحة. يرجى مراعاة التفاصيل المحددة الواردة في الضمان والتأكد من عمل التوصيلات إلى خدمات المرافق المناسبة.

لا يسري الضمان إذا تم بدء تشغيل الفرن (الأفران) والعمل عليه (عليها) قبل معاينة المرافق والفرن وفحصهما من قبل فني خدمة معتمد من المصنع أو أحد ممثلي الخدمة بشركة Lincoln Foodservice Products, LLC.

تنبيه

تعد عمليات الصيانة والتنظيف العامة التي يقوم بها المشغل حيوية لأداء الفرن. ومن شأن عدم الالتزام بالتوجيهات الواردة في هذا الدليل إلى حدوث أعطال بالمكونات لا يغطيها الضمان.

متطلبات إضافية

- احصل من الشركة المحلية المزودة للغاز على التعليمات الواجب اتباعها في حالة اكتشاف رائحة للغاز وضعها في مكان واضح.
 - يلزم وضع الفرن تحت شفاط لتوفير إمداد كاف من الهواء وتهوية.
 - يجب الحفاظ على الحد الأدنى من مسافات الخلوص بين جميع الجدران والمواد القابلة للاحتراق. انظر قسم "متطلبات مسافات التباعد" للاطلاع على مزيد من المعلومات.
 - أبقِ على الفرن بعيداً عن المواد القابلة للاحتراق.
 - يلزم توفر مسافة خلوص كافية لفتحات الهواء الخاصة بغرفة التحكم في الاحتراق على الجانب الأيمن من الفرن.
 - لا تسد فتحات التهوية الموجودة في ألواح غرفة التحكم حيث أنها توفر هواء الاحتراق للموقد وهواء التبريد لعناصر التحكم.
 - يجب عدم تشغيل الفرن إلا باستخدام نوع الغاز و/أو الكهرباء على النحو المحدد على لوحة المواصفات.
 - لن يعمل الموقد الكهربائي ولن يتدفق الغاز عبر الموقد دون وجود طاقة كهربائية.
 - يجب الاحتفاظ بهذا الدليل للرجوع إليه في المستقبل.
 - يوجد مخطط توصيلات الأسلاك الكهربائية أسفل أغطية صندوق التحكم.
- في أستراليا: راجع المعيار AS 5601. يحدد هذا المعيار متطلبات توصيل الأنابيب والمداخن والتهوية وتركيب الأجهزة التي يصحبها استخدام غازات الوقود أو المعدة لذلك. يجب تطبيق متطلبات المعيار AS 5601 بالاقتران مع أي لوحات تنظيمية يسري العمل بها في أي منطقة، دون أن يكون له الأسبقية عليها.
- في جنوب أفريقيا: لا يجوز التركيب إلا بعد معرفة فني تركيب مقيد، ويجب أن يتوافق التركيب مع متطلبات المعايير SANS 10087-1 أو SANS 827، حسب الاقتضاء.
- تتطلب جميع الأفران خدمات مرافق مستقلة ومحاييد مخصص.

تحويل ضغط الغاز

البوصات من عمود الماء	كيلو باسكال	مللي بار	مليمترات من عمود الماء
3.5	0.87	8.70	88.9
4.5	1.12	11.2	114.3
7	1.74	17.40	177.8
8	1.99	19.90	203.2
9.2	2.29	22.90	233.7
10	2.48	24.87	254.0
10.5	2.61	26.11	266.7
11	2.73	27.36	279.4
14	3.48	34.81	355.6
14.5	3.61	36.05	368.3

**القسم 3
التشغيل**

18	معلومات حول استخدام الفرن
19	التشغيل والبرمجة (جميع الطرازات)
19	مقدمة - بدء التشغيل وإيقاف التشغيل
19	مخطط اللوحة الأمامية
19	نقاط ضبط درجة الحرارة
19	نقاط ضبط الوقت
19	القفز فيما بين القوائم
19	الرسائل التشخيصية
19	مفتاح عكس اتجاه الحركة
19	الوظائف
19	مفتاح القاطع الحراري
20	التشغيل مسبق الإعداد (الطرازات التي بها 4-3-2-1)
20	ضبط درجة الحرارة والوقت
21	برمجة درجة الحرارة والوقت المعروضين كإعداد مسبق
22	اختيار أحد الإعدادات المسبقة
22	لتغيير سرعة السير الناقل
22	تعليمات إيقاف تشغيل الفرن
22	إرشادات الطهو

**القسم 4
الصيانة**

23	الصيانة الوقائية
23	التنظيف اليومي
24	التنظيف الأسبوعي

**القسم 5
استكشاف الأخطاء وإصلاحها**

26	قائمة التحقق قبل الإقدام على الاتصال بالخدمة
26	مفتاح القاطع الحراري لمكونات علبة التحكم

جدول المحتويات

2	إخطارات السلامة
2	تعريف
5	مسؤولية المشتري
5	متطلبات إضافية
6	مفتاح رموز رقم الطراز
7	الأبعاد الخارجية – 1400
8	المواصفات – الطرازات ذات التسخين بالغاز
9	المواصفات – الطرازات ذات التسخين الكهربائي
10	توصيات تهوية مظلة الشفط
11	متطلبات التركيب
11	متطلبات كود الغاز
11	متطلبات كود الكهرباء
12	متطلبات مسافات التباعد
12	متطلبات التهوية
13	متطلبات تقييد الحركة – جميع الأفران المركبة على عجلات
13	التركيب
13	التفريغ
13	الإخراج من صندوق الشحن
14	تركيب صمام الغاز اليدوي
14	مجموعة المنصة والأصابع
14	مجموعات المنصة
14	تعليمات الرص
15	مجموعات الأصابع
16	50 هرتز CE كهربائي
16	قائمة التحقق للتركيب
16	قائمة التحقق
17	إجراءات بدء التشغيل
17	اختبار شمعة الدخان – التحقق من نظام التهوية
17	ضبط لوح موازنة الهواء بمبيت الأصابع

القسم 1
معلومات عامة

القسم 2
التركيب

إخطارات السلامة

تعريف

⚠ تحذير

لا تستخدم أجهزة كهربائية وملحقات خلاف تلك الموردة من الشركة المصنعة.

من أجل سلامتك

لا تقم بتخزين أو استخدام البنزين أو أي أبخرة أو سوائل أخرى قابلة للاشتعال بالقرب من هذا الجهاز أو غيره من الأجهزة.

⚠ تحذير

لا تنظف الأجزاء الداخلية أو الخارجية للوحدات بماء من جهاز نفاث للماء بضغط عال أو بواسطة خرطوم أو عن طريق الغمر. لا تستخدم آلة تنظيف تعمل بالتيار الكهربائي، أو قطع الصوف الفولاذي، أو مواد كاشطة، أو فرش سلكية على الأسطح المصنوعة من الاستانلس ستيل، أو الأسطح المطلية.

⚠ تنبيه

يجب إجراء أعمال الصيانة والخدمة بخلاف أعمال التنظيف على النحو الوارد في هذا الدليل من قبل موظف خدمة معتمد.

ملحوظة: من الضروري إجراء التركيب، والعناية، والصيانة بشكل صحيح للحصول على أقصى مستوى من الأداء ولتشغيل الآلة دون مشكلات. تفضل بزيارة موقعنا على الويب www.mtwkitchencare.com للحصول على أحدث الأدلة، أو التراجع، أو للتعرف على معلومات الاتصال بوكلاء الخدمة في منطقتك.

⚠ خطر

يشير إلى وضع خطر إذ لم يتم تفاديه فسوف يؤدي إلى الوفاة أو إصابة بليغة. وينطبق هذا على الظروف بالغة الشدة.

⚠ تحذير

يشير إلى وضع خطر إذ لم يتم تفاديه فقد يؤدي إلى الوفاة أو إصابة بليغة.

⚠ تنبيه

يشير إلى وضع خطر إذ لم يتم تفاديه فقد يؤدي إلى إصابة طفيفة أو متوسطة.

تنبيه

يُشير إلى معلومات تُعتبر مهمة ولكنها لا تتعلق بمخاطر (على سبيل المثال الرسائل المتعلقة بالإضرار بالململكات).

ملحوظة: تُشير إلى معلومات إضافية مفيدة تخص الإجراء الذي تقوم به.

يُرجى قراءة ما يلي قبل الاستمرار:

⚠ خطر

لا تركيب أو تشغيل آلة استعملت بشكل خاطئ، أو أسيء استعمال، أو مهملة، أو تالفة، أو تم تعديل/تغيير مواصفات تصنيعها الأصلية.

مهم

اقرأ تعليمات الاستخدام الحالية بعناية للتعرف على الجهاز قبل توصيله بأسطوانة الغاز. احتفظ بهذه التعليمات للرجوع إليها مستقبلاً.

⚠ تحذير

قد يؤدي أي إجراء غير سليم من تركيب أو تعديل أو خدمة أو صيانة إلى إلحاق أضرار بالململكات أو الإصابة أو الوفاة. اقرأ تعليمات التركيب والتشغيل والصيانة بعناية قبل تركيب هذا الجهاز أو صيانتته.

⚠ تحذير

يلزم ممثلو الخدمة المعتمدين باتباع إجراءات السلامة الصناعية القياسية بما في ذلك، على سبيل المثال لا الحصر، اللوائح التنظيمية المحلية / الوطنية المتعلقة بإجراءات الفصل / إغلاق مصادر الطاقة / وضع العلامات التحذير لكافة المرافق بما في ذلك الكهرباء والغاز والماء والبخار.

⚠ تحذير

هذا الجهاز ليس مصمماً للاستخدام من قبل الأشخاص ذوي الإعاقة الجسدية أو العصبية أو العقلية (بمن فيهم الأطفال)، أو من ليس لديهم خبرة أو معرفة، ما لم يكن هذا الاستخدام تحت إشراف شخص مسؤول عن سلامتهم. لا تسمح للأطفال باللعب بهذا الجهاز.

⚠ تحذير

هذه الآلة للاستخدام داخلياً فقط. يجب ألا تركيب هذه الآلة أو تستعمل في المناطق المفتوحة.

فرن السير الكهربائي الناقل Impinger® السلسلة 1400

كتيب التركيب والتشغيل والصيانة

للتيار بتردد 60 هرتز



ترجمة التعليمات الأصلية