

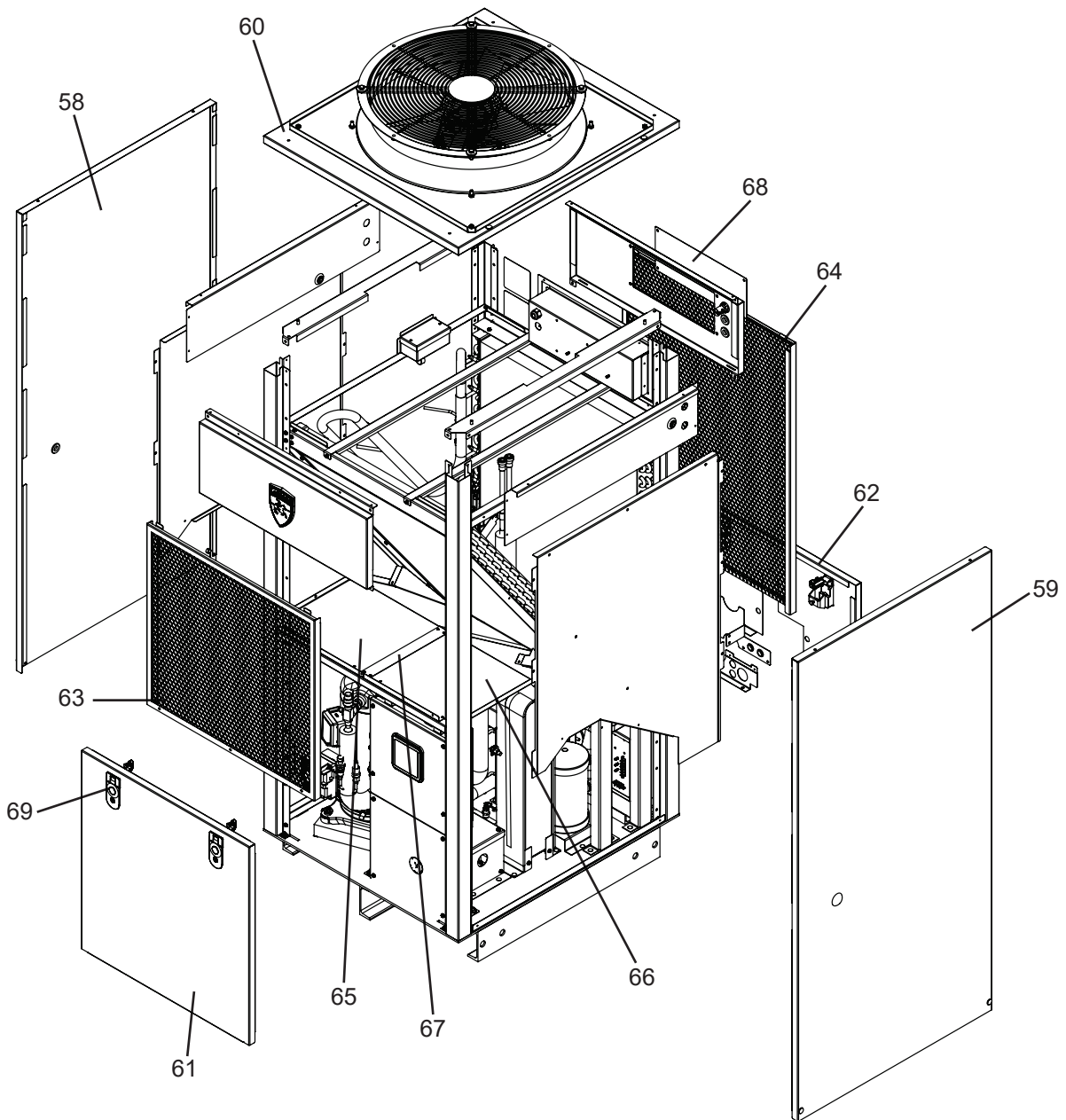


## Replacement Parts List

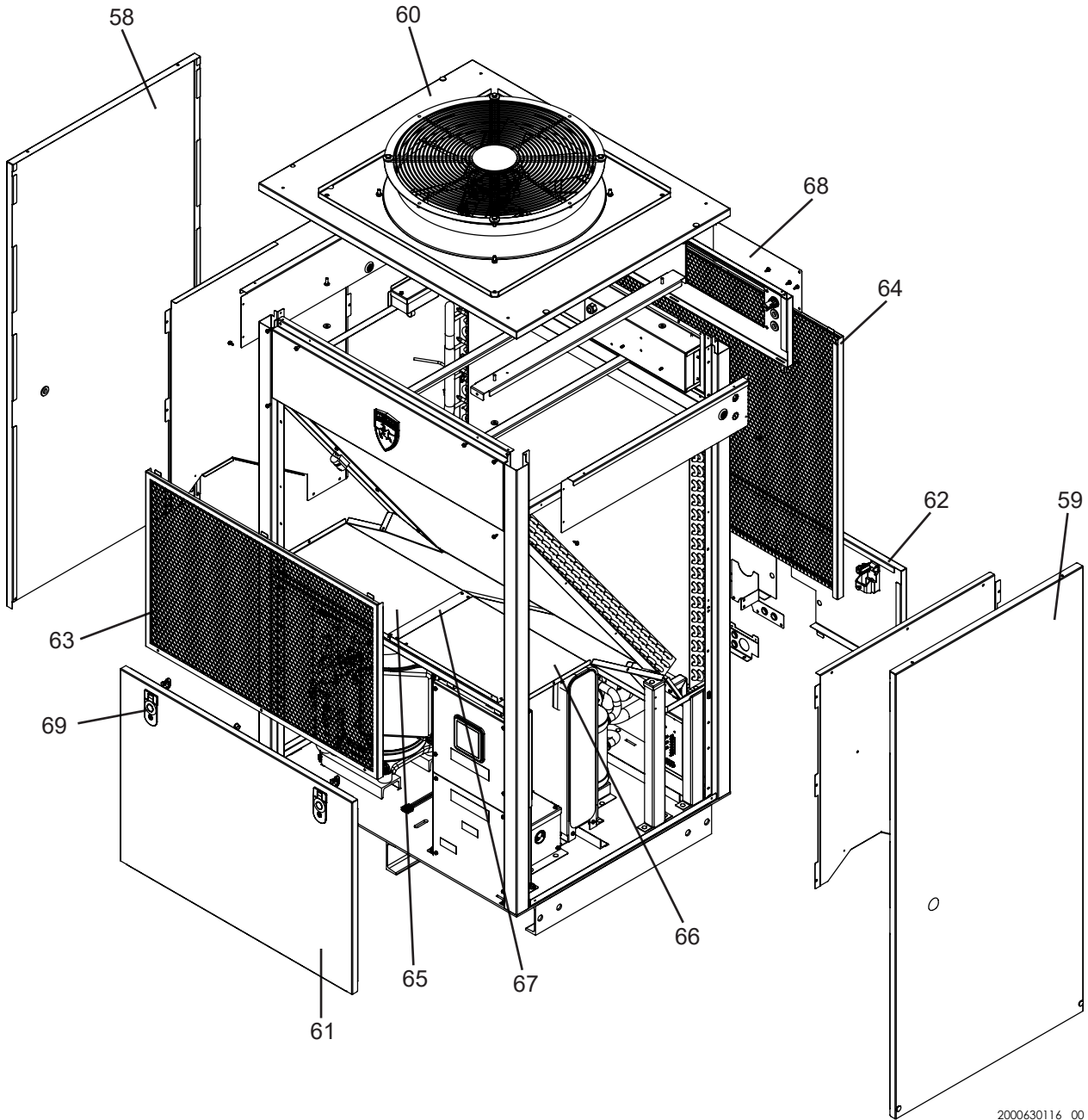
**PARTS & SERVICE DEPARTMENT**  
 Nashville, Tennessee  
 877-554-5544 • Fax: 615-882-2918  
 parts\_team@lochinvar.com  
 www.Lochinvar.com

### Veritus Air Source Heat Pump Water Heater AHP 060 - 350

**60K MODEL**

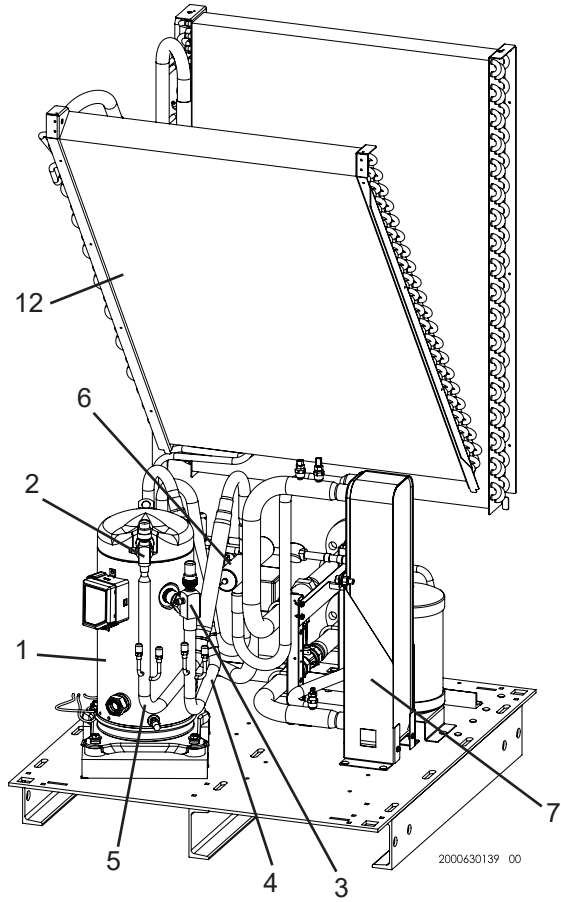


140K MODEL

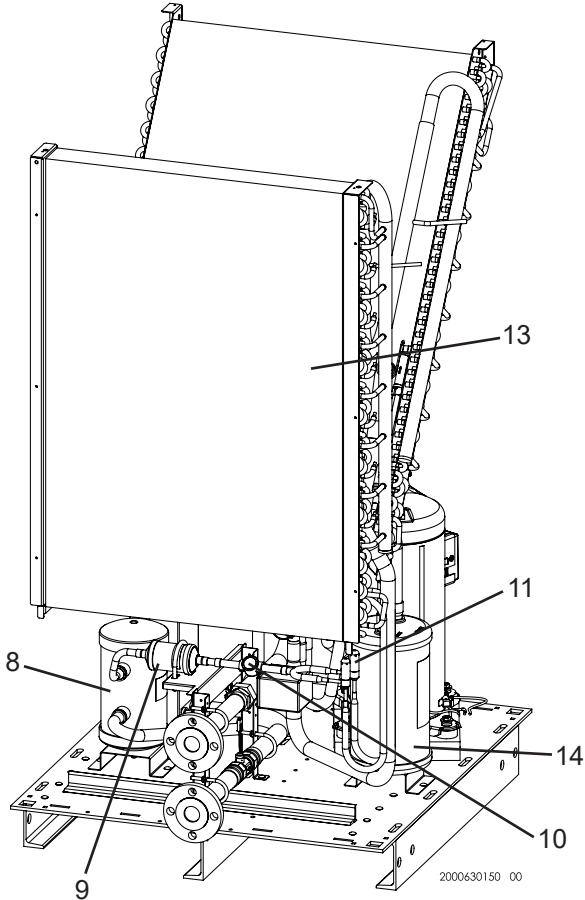


2000630116 00

**REFRIGERANT CIRCUIT COMP  
- 60K MODEL**

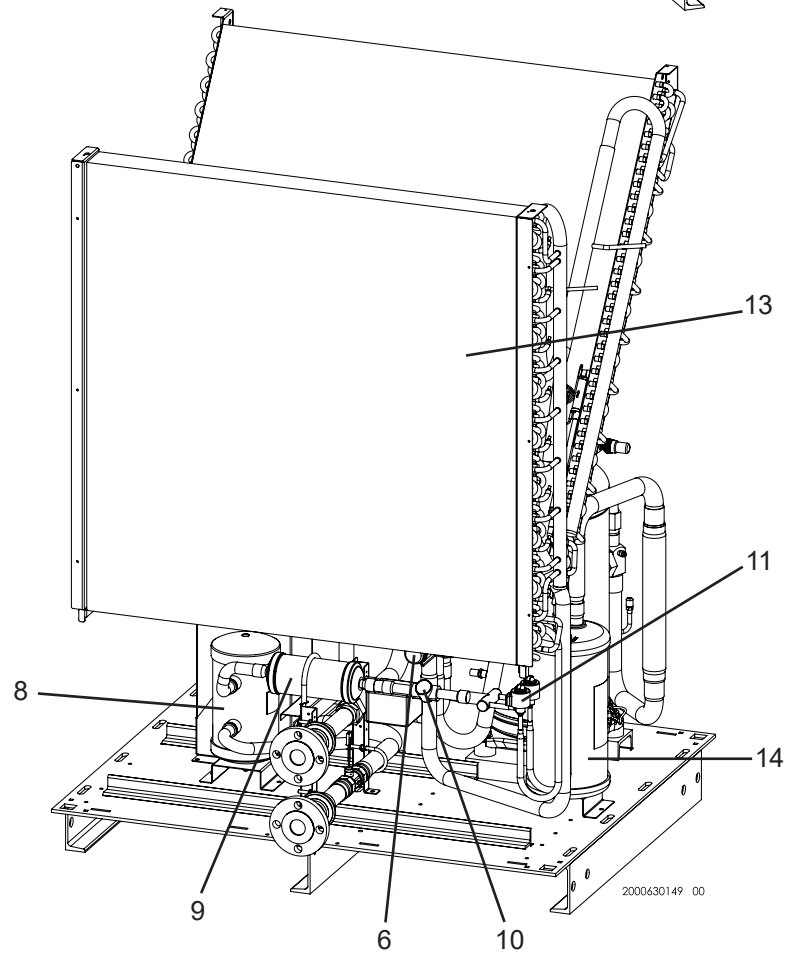
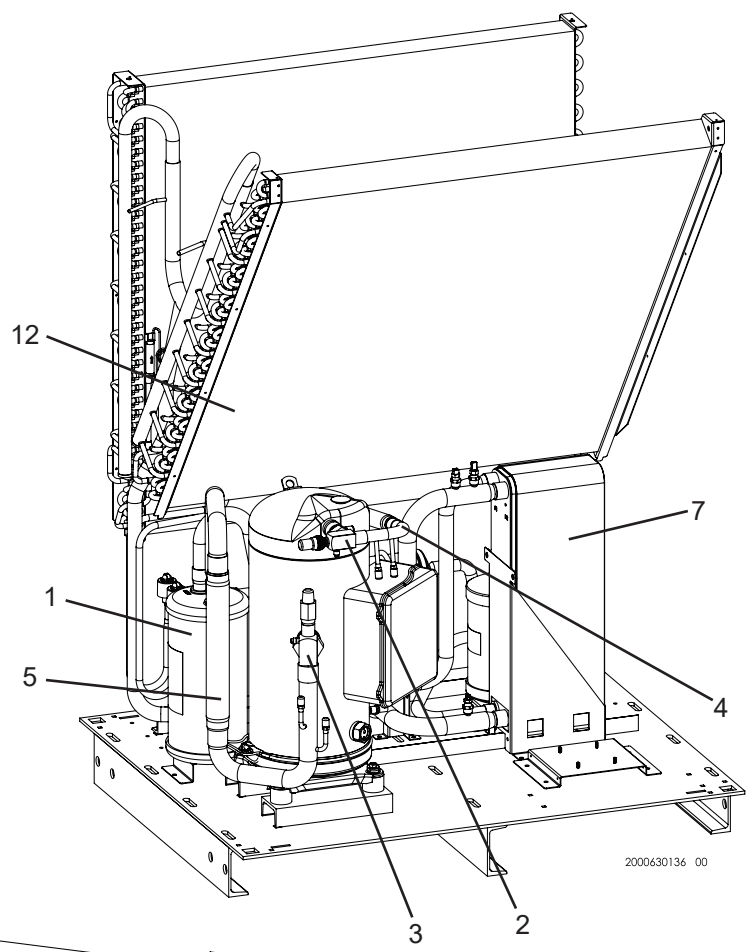


2000630139 00

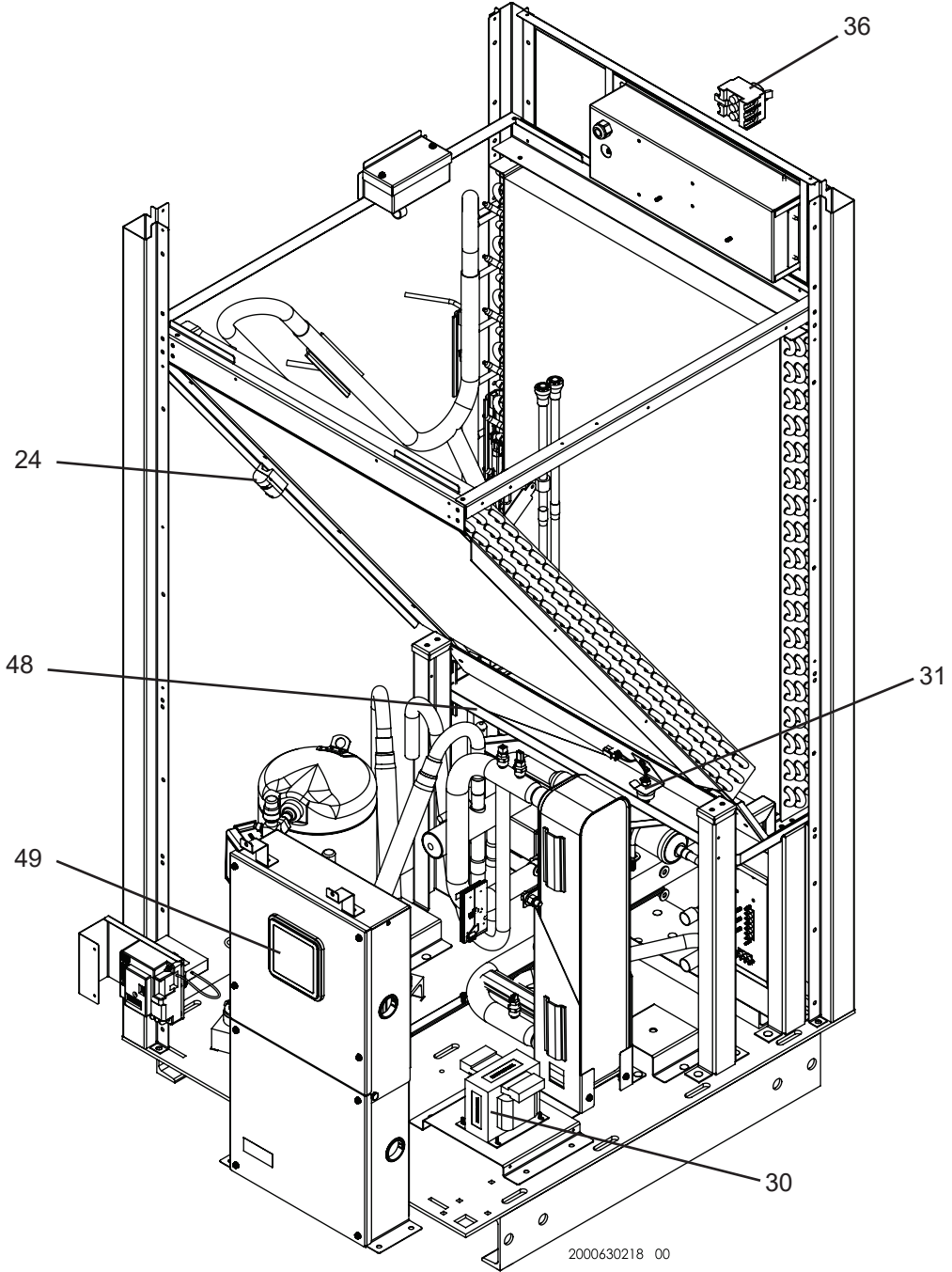


2000630150 00

**REFRIGERANT CIRCUIT COMP**  
**- 140K MODEL**

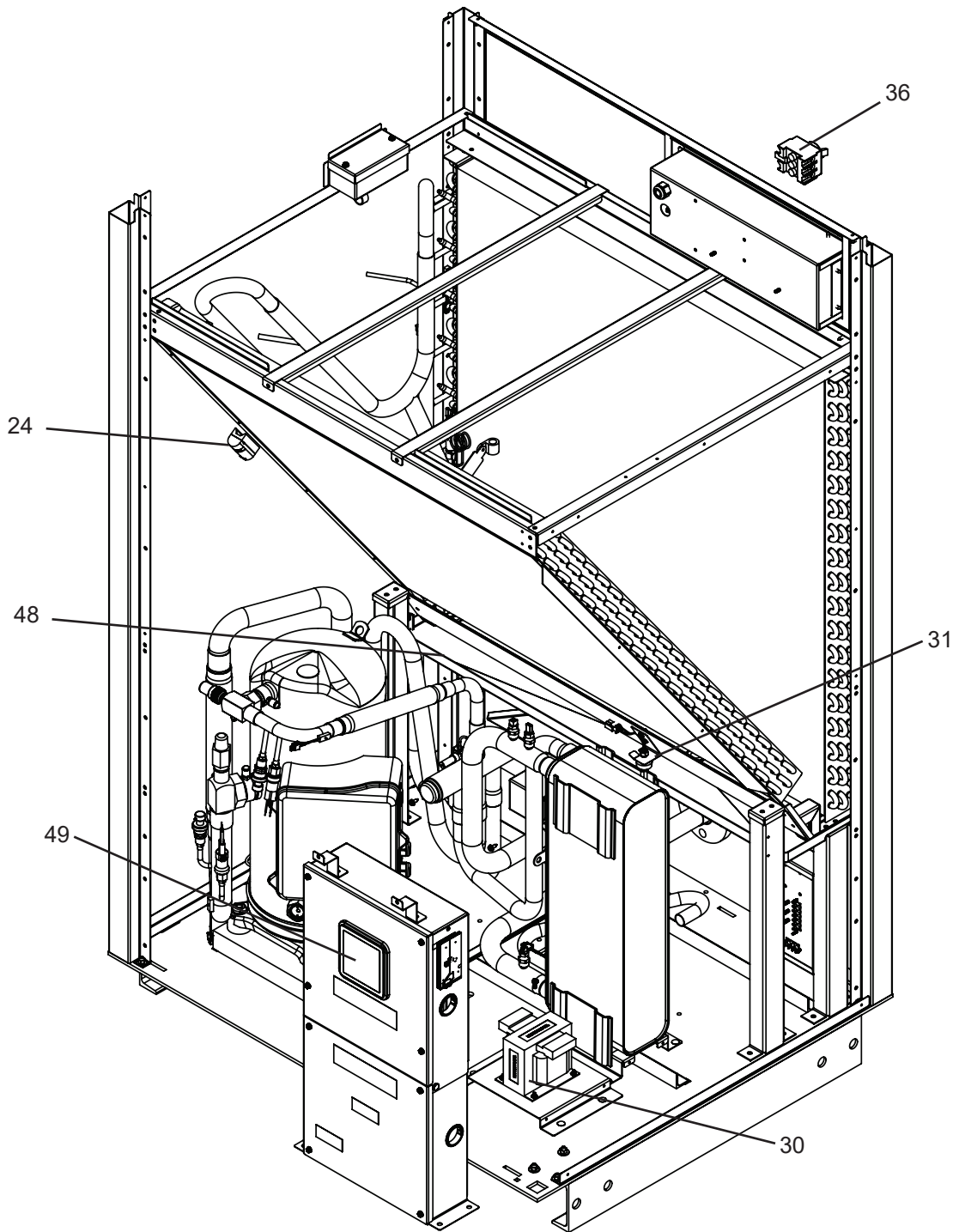


**CONTROLS & MISC**  
**- 60K MODEL**



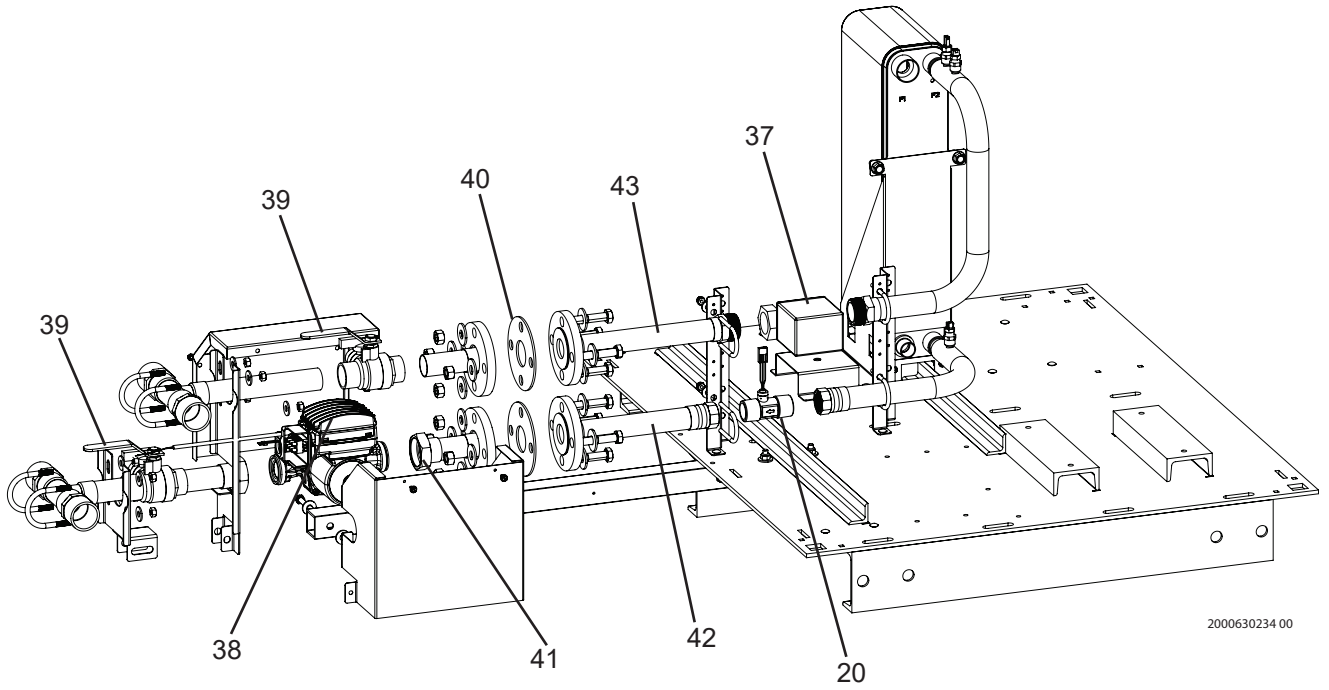
2000630218 00

**CONTROLS & MISC  
- 60K MODEL**

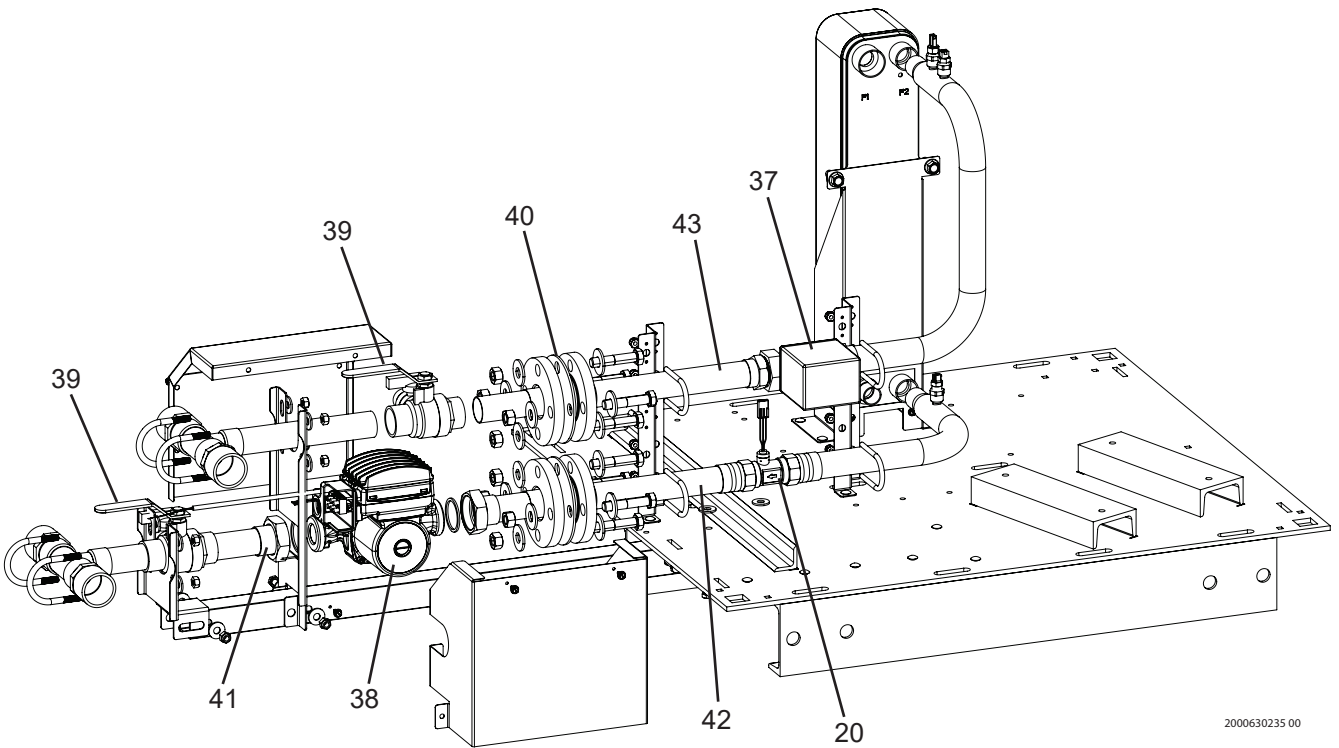


2000630226 00

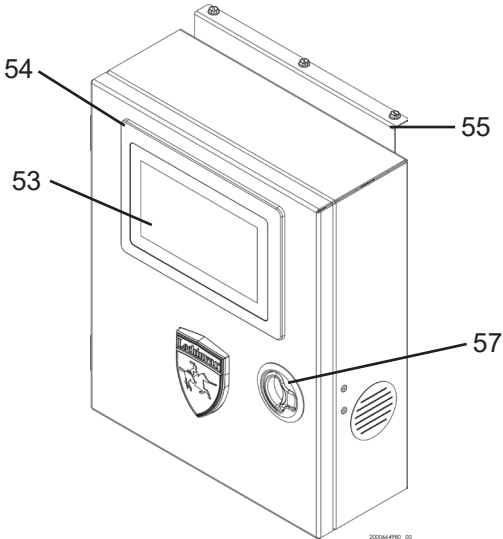
**WATER CIRCUIT  
- 60K MODEL**



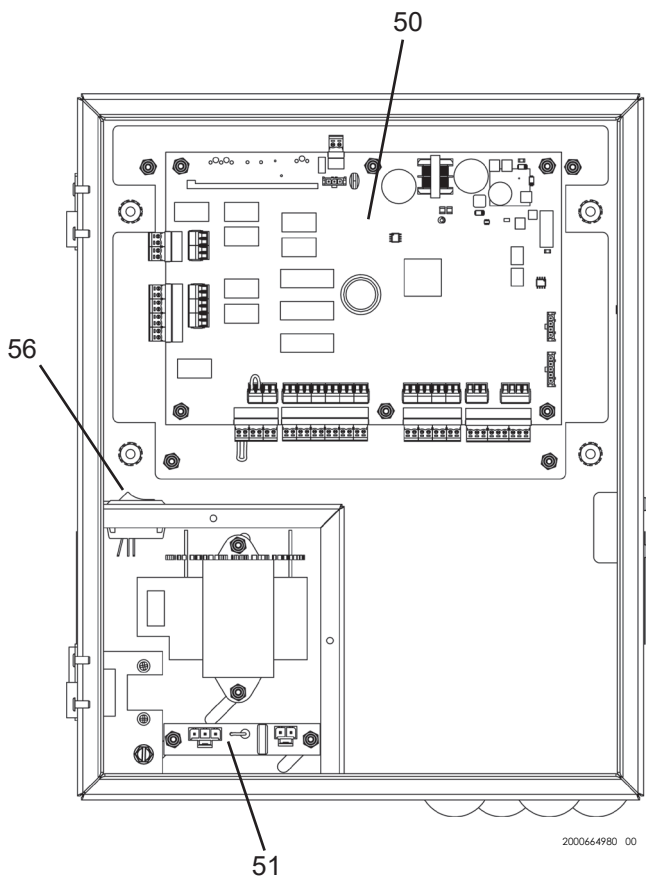
**WATER CIRCUIT  
- 140K MODEL**



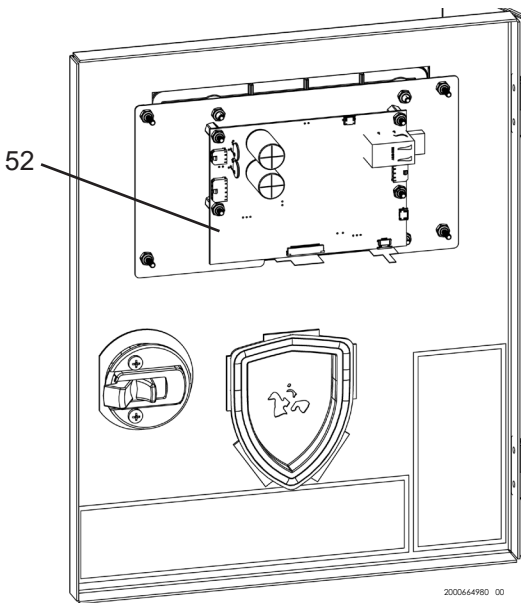
**DISPLAY PANEL  
- FRONT**



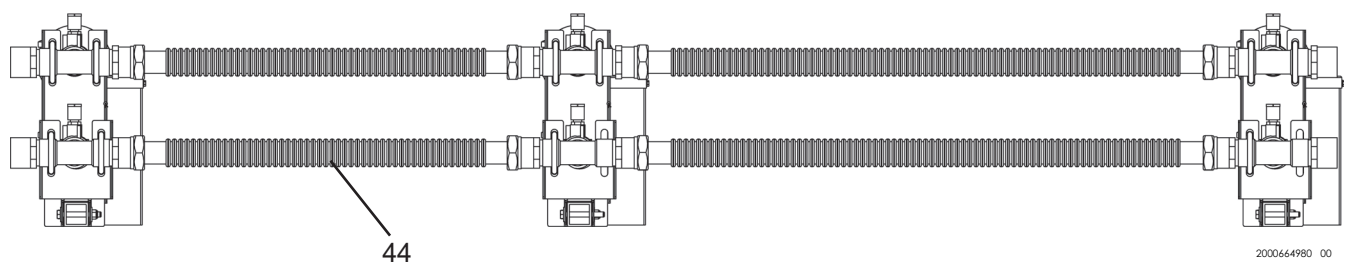
**DISPLAY PANEL**



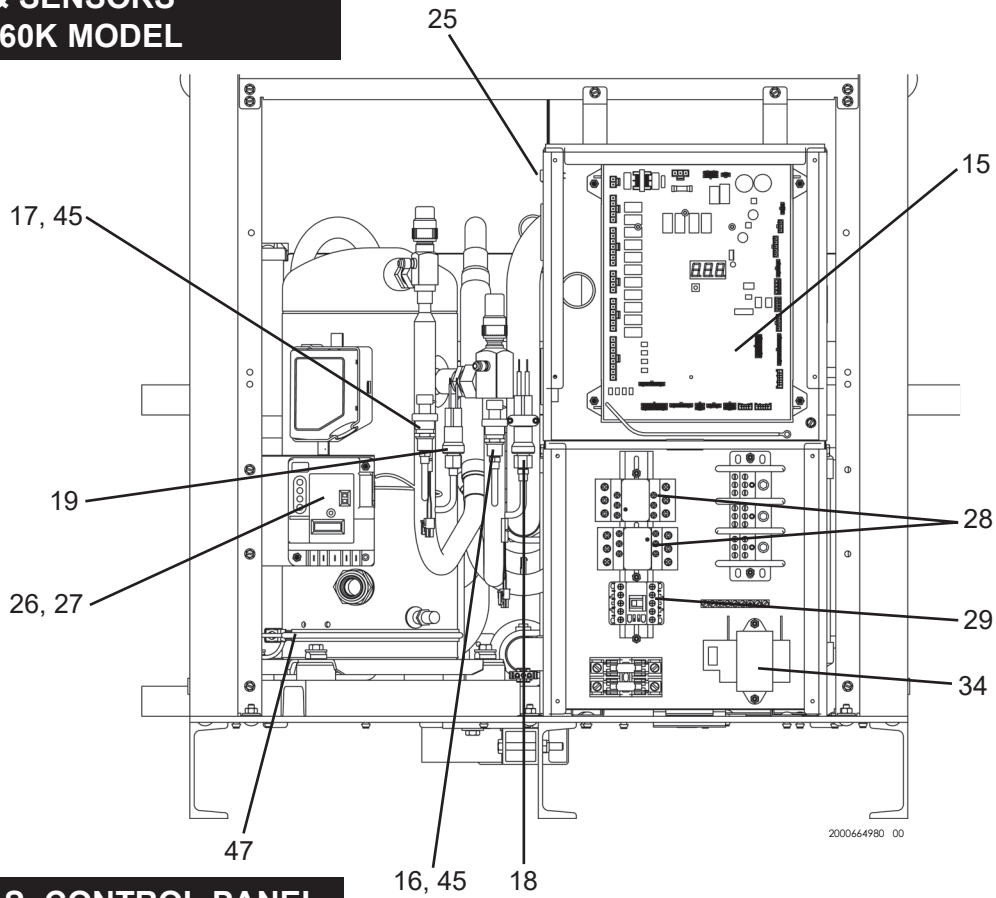
**DISPLAY PANEL  
- DOOR BACK**



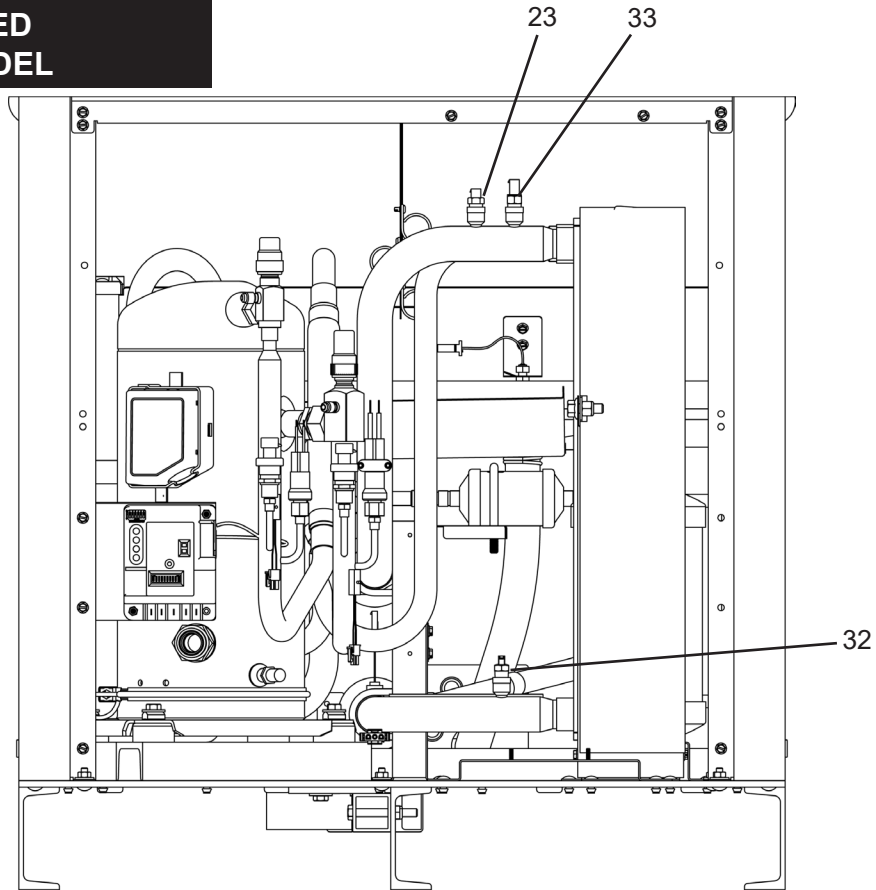
**FLEX TUBE MANIFOLD**



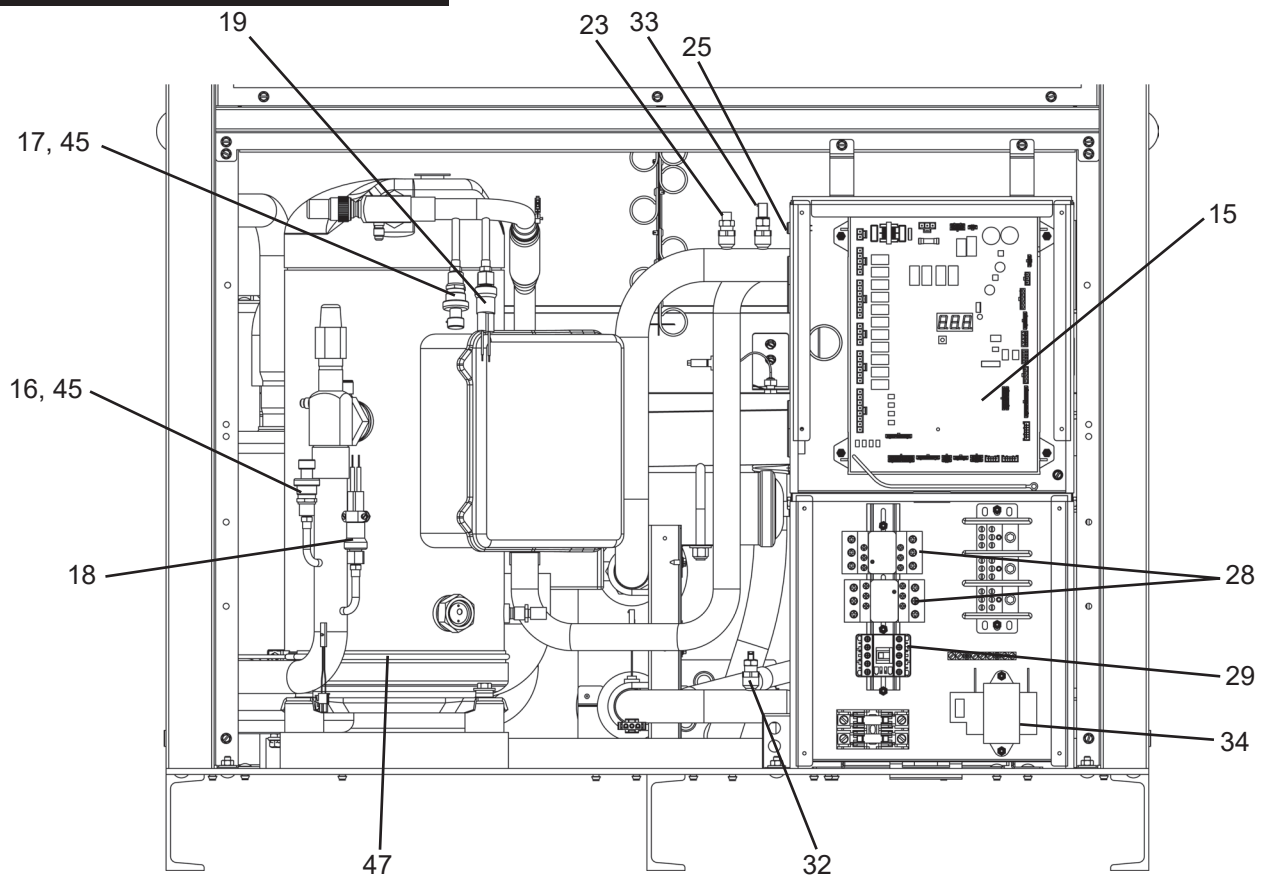
**CONTROLS, CONTROL PANEL,  
& SENSORS  
- 60K MODEL**



**CONTROLS, CONTROL PANEL  
REMOVED  
- 60K MODEL**

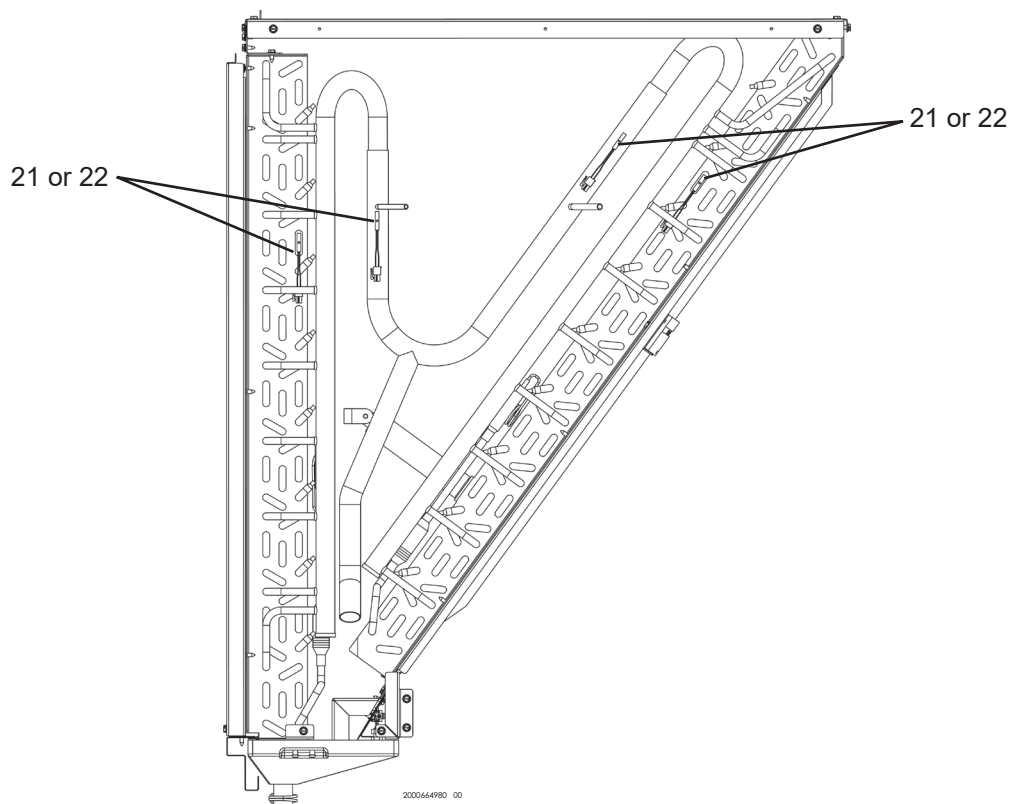


**CONTROLS, CONTROL PANEL, & SENSORS  
- 140K MODEL**



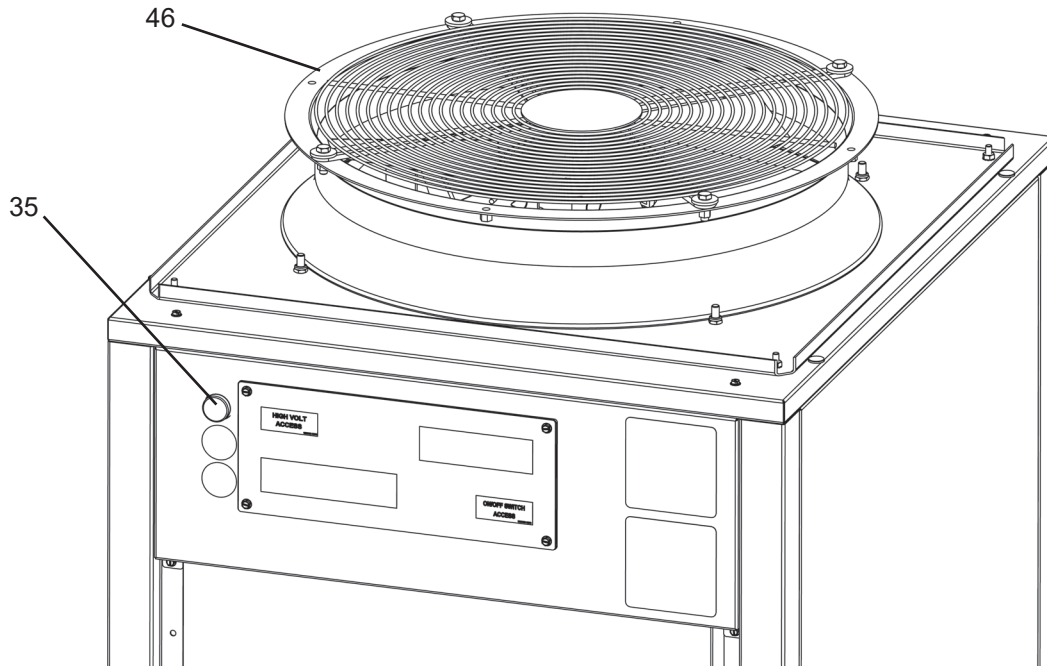
2000664980 00

**EVAPORATOR SENSORS**



2000664980 00

**TOP REAR**



2000664980 00

ITEM NO.	PART NO.	DESCRIPTION	MODEL
<b>REFRIGERATION CIRCUIT COMPONENTS</b>			
1	100391928	COMPRESSOR W/MOUNTING HARDWARE	AHP060-208
1	100391929	COMPRESSOR W/MOUNTING HARDWARE	AHP140-208
1	100370557	COMPRESSOR W/MOUNTING HARDWARE	AHP060-480
1	100370559	COMPRESSOR W/MOUNTING HARDWARE	AHP140-480
2	100370638	VALVE,SERVICE,DISCHARGE SIDE	AHP060
2	100370639	VALVE,SERVICE,DISCHARGE SIDE	AHP140
3	100370639	VALVE,SERVICE,SUCTION SIDE	AHP060
3	100370640	VALVE,SERVICE,SUCTION SIDE	AHP140
4	100370833	PIPE,COMPRESSOR,DISCHARGE	AHP060
4	100370800	PIPE,COMPRESSOR,DISCHARGE	AHP140
5	100370832	PIPE,COMPRESSOR,SUCTION	AHP060
5	100370766	PIPE,COMPRESSOR,SUCTION	AHP140
6	100370555	VALVE,4 WAY	AHP060
6	100370556	VALVE,4 WAY	AHP140
7	100370560	CONDENSER	AHP060
7	100370571	CONDENSER	AHP140
8	100370635	TANK,RECEIVER	ALL
9	100370585	FILTER,DRYER	AHP060
9	100370587	FILTER,DRYER	AHP140
10	100370631	GLASS,SIGHT	AHP060
10	100370632	GLASS,SIGHT	AHP140
11	100370572	EEV WITH COIL	AHP060
11	100370578	EEV WITH COIL	AHP140
12	100370579	EVAPORATOR,FRONT	AHP060
12	100370580	EVAPORATOR,FRONT	AHP140
13	100370582	EVAPORATOR,REAR	AHP060
13	100370583	EVAPORATOR,REAR	AHP140

**PLEASE HAVE SERIAL NUMBER AVAILABLE WHEN ORDERING PARTS  
\*ITEMS DENOTE SUGGESTED INVENTORY PARTS**

ITEM NO.	PART NO.	DESCRIPTION	MODEL
<b>CONTROLS</b>			
14	100370545	ACCUMULATOR	AHP060
14	100370548	ACCUMULATOR	AHP140
15	100370642	CONTROL BOARD,HPC	ALL
16	100370551	TRANSDUCER,LOW	ALL
17	100370553	TRANSDUCER,HIGH	ALL
18	100370634	SWITCH,PRESSURE,LOW	ALL
19	100370633	SWITCH,PRESSURE,HIGH	ALL
20	100370627	SENSOR,FLOW	ALL
21	100370628	SENSOR,TEMPERATURE	ALL
22	100370629	SENSOR,TEMPERATURE,EVAPORATOR	ALL
23	100370680	SWITCH,HIGH TEMP	ALL
24	100370673	SENSOR,OUTDOOR,AIR	ALL
25	100370675	SWITCH,RESET	ALL
26	100370667	MODULE,CORE SENSE	AHP060
27	100370666	MODULE,SENSOR,CURRENT	AHP060
28	100370653	CONTACTOR, COMPRESSOR	AHP060-208, 060-480, & 140-480
28	100391930	CONTACTOR, COMPRESSOR	AHP140-208
29	<a href="#">100307575</a>	RELAY, CONTACTOR	AHP060-208, 060-480, & 140-480
29	100391971	RELAY, CONTACTOR	AHP140-208
30	<a href="#">100274222</a>	TRANSFORMER, 480V TO 120V	AHP060-480 & AHP140-480
30	100391972	TRANSFORMER, 208V TO 120V	AHP060-208 & AHP140-208
31	<a href="#">100208243</a>	SWITCH,BLOCKED DRAIN	ALL
32	<a href="#">100208563</a>	SENSOR,WATER,INLET	ALL
33	<a href="#">100208558</a>	SENSOR,WATER,OUTLET	ALL
34	100340202	TRANSFORMER,120V TO 24V	ALL
35	100370622	LIGHT,INDICATOR	ALL
36	100342535	SWITCH,MAIN POWER - SERIES 100	AHP060-480 & AHP140-480
<b>WATER LOOP INCLUDING MANIFOLD</b>			
37	100370637	VALVE,BALL,MOTORIZED	ALL
38	100370660	PUMP	ALL
39	100370663	VALVE,DRAIN	ALL
40	100370670	GASKET,FLANGE	ALL
41	100370674	UNION,G1	ALL
42	100370763	PIPE,WATER,INLET	ALL
43	100370764	PIPE,WATER,OUTLET	ALL
44	100370769	MANIFOLD FLEX PIPE	AHP200
44	100370770	MANIFOLD FLEX PIPE	AHP280
44	100370771	MANIFOLD FLEX PIPE	AHP350
<b>MISCELLANEOUS</b>			
45	100370668	VALVE,SCHRADER	ALL
46	100370584	FAN	AHP060-480 & AHP140-480
46	100391973	FAN	AHP060-208 & AHP140-208
47	100391974	HEATER,CRANKCASE	AHP060-208
47	100370599	HEATER,CRANKCASE	AHP060-480
47	100391975	HEATER,CRANKCASE	AHP140-208
47	100370612	HEATER,CRANKCASE	AHP140-480
-	100370613	INSULATION,CONDENSER	AHP060
-	100370615	INSULATION,CONDENSER	AHP140
<b>PLEASE HAVE SERIAL NUMBER AVAILABLE WHEN ORDERING PARTS *ITEMS DENOTE SUGGESTED INVENTORY PARTS</b>			

ITEM NO.	PART NO.	DESCRIPTION	MODEL
<b>MISCELLANEOUS (CONTINUED)</b>			
-	100370616	INSULATION,PIPE,1-3/8	ALL
-	100370617	INSULATION,PIPE,1-1/8	ALL
-	100370618	INSULATION,PIPE,7/8	ALL
-	100370620	INSULATION,PIPE,1/2	ALL
48	100370623	PAN,DRAIN	AHP060
48	100370626	PAN,DRAIN	AHP140
-	100370656	FUSE,40A - SERIES 100	AHP060-480 & AHP140-480
-	100383894	FUSE,40A - SERIES 110	AHP060-480 & AHP140-480
-	100391976	FUSE,50A	AHP060-208
-	100391977	FUSE,80A	AHP140-208
-	100392064	FUSE,4A	AHP060-208 & AHP140-208
-	100390273	FUSE,2A	AHP060-480 & AHP140-480
-	100370657	FUSE,1A	ALL
-	100370641	GASKET,HIGH VOLTAGE	AHP060-208, 060-480, & 140-480
-	100391978	GASKET,HIGH VOLTAGE	AHP140-208
49	100370659	WINDOW,INSPECTION	ALL
-	100374300	FAN BLADES	ALL
-	100374411	FAN MOTOR	AHP060-480 & AHP140-480
-	100391979	FAN MOTOR	AHP060-208 & AHP140-208
-	100374405	SIESMIC BRACKETS	ALL
<b>DISPLAY PANEL</b>			
50	100370651	CONTROL,ASSY,SCB	ALL
51	100370765	CONTROL ASSY,SCB,DAUGHTER	ALL
52	100370678	BOARD,CONTROL,COMMUNICATION	ALL
53	100370677	DISPLAY,LCD,INTERFACE,USER,AHP	ALL
54	100370671	GASKET,DISPLAY	ALL
55	100370767	DISPLAY,MOUNT,AHP	ALL
56	<a href="#">100271316</a>	SWITCH,OFF/ON,15A,250V,1PL,RED	ALL
57	100370679	LATCH	ALL
<b>JACKET</b>			
58	100370681	JACKET,SIDE,LEFT	ALL
59	100370682	JACKET,SIDE,RIGHT	ALL
60	100370684	JACKET,TOP	AHP060
60	100370686	JACKET,TOP	AHP140
61	100370687	JACKET,FRONT,LOWER	AHP060
61	100370689	JACKET,FRONT,LOWER	AHP140
62	100370691	JACKET,REAR,LOWER	AHP060
62	100370695	JACKET,REAR,LOWER	AHP140
63	100370588	GRILL,FRONT	AHP060
63	100370592	GRILL,FRONT	AHP140
64	100370590	GRILL,REAR	AHP060
64	100370595	GRILL,REAR	AHP140
65	100370696	PLENUM,LEFT,LOWER	AHP060
65	100370697	PLENUM,LEFT,LOWER	AHP140
66	100370698	PLENUM,RIGHT,LOWER	AHP060
66	100370699	PLENUM,RIGHT,LOWER	AHP140
67	100370741	PLENUM,COVER	ALL

**PLEASE HAVE SERIAL NUMBER AVAILABLE WHEN ORDERING PARTS  
\*ITEMS DENOTE SUGGESTED INVENTORY PARTS**

ITEM NO.	PART NO.	DESCRIPTION	MODEL
<b>JACKET (CONTINUED)</b>			
68	100370742	COVER,HIGH VOLTAGE	AHP060-208, 060-480, & 140-480
68	100391980	COVER,HIGH VOLTAGE	AHP140-208
69	100302180	LATCH	ALL
<b>PLEASE HAVE SERIAL NUMBER AVAILABLE WHEN ORDERING PARTS</b> <b>*ITEMS DENOTE SUGGESTED INVENTORY PARTS</b>			



