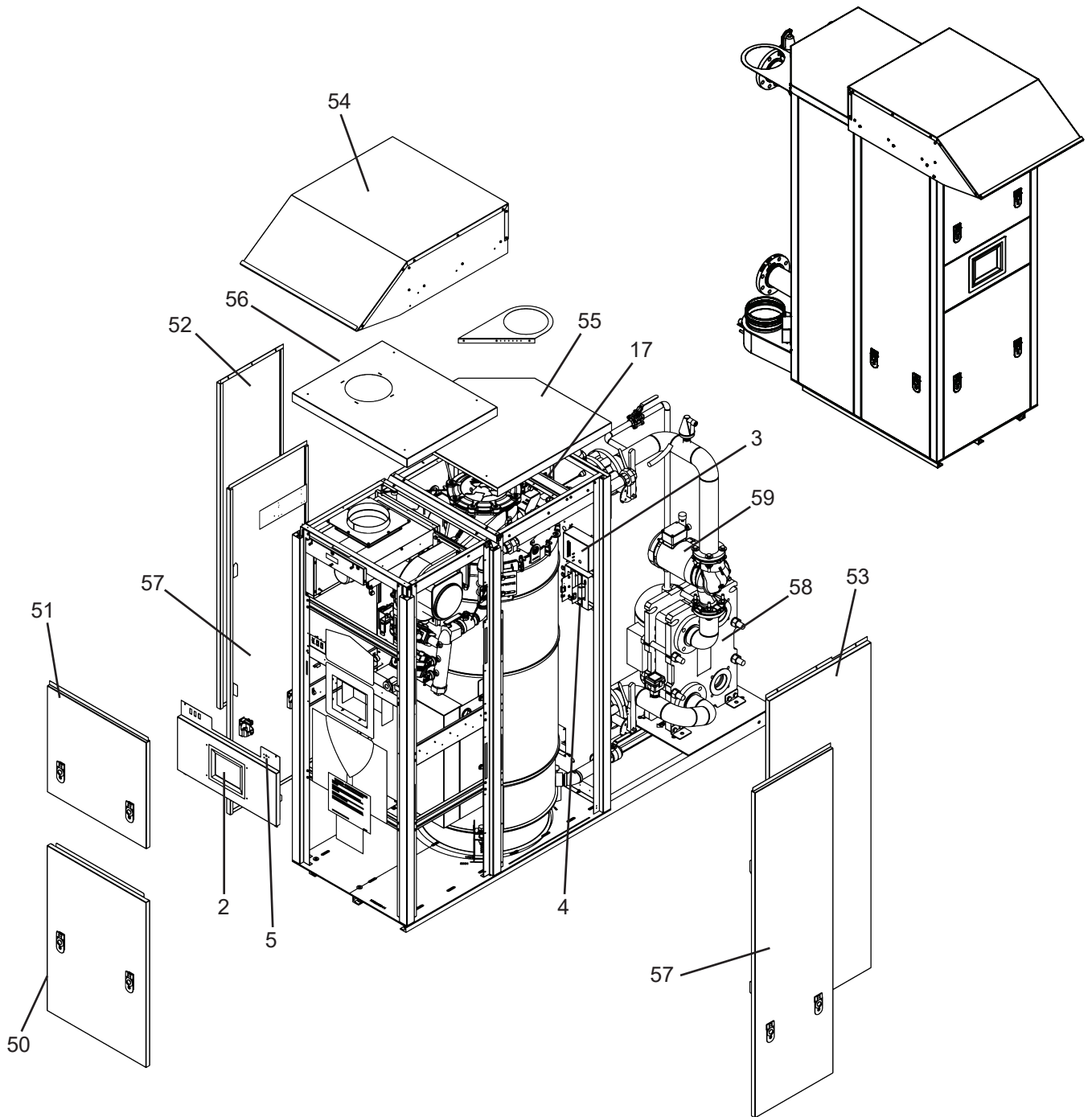




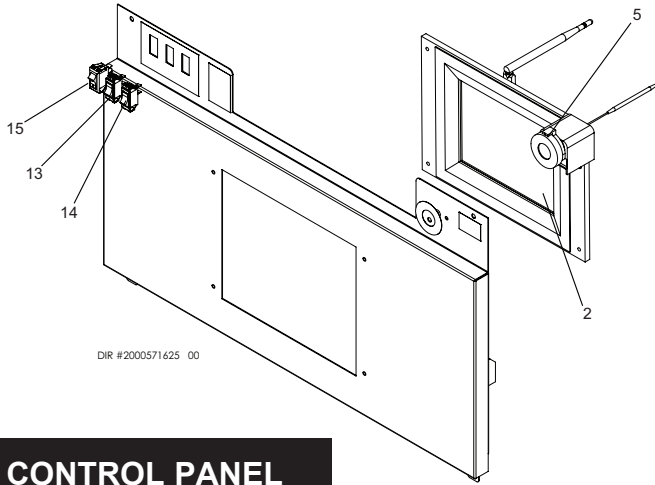
PARTS & SERVICE DEPARTMENT
 Nashville, Tennessee
 877-554-5544 • Fax: 615-882-2918
 parts_team@lochinvar.com
 www.Lochinvar.com

Replacement Parts List

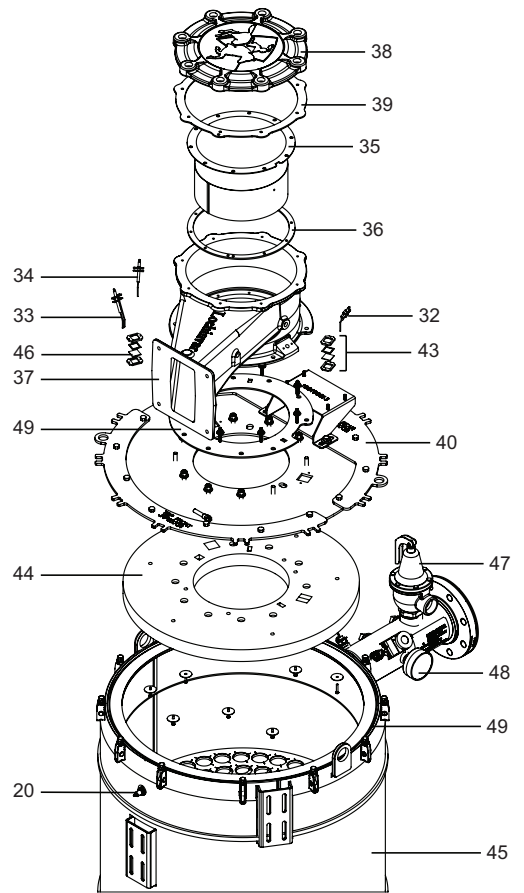
**Indoor/Outdoor AQUAS™
 COMMERCIAL POOL PACKAGE
 APO 750 - 2000
 Series 200 - 201**



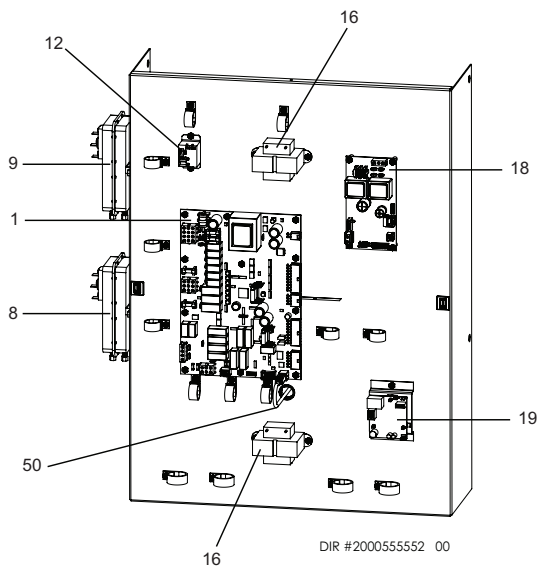
DISPLAY PANEL



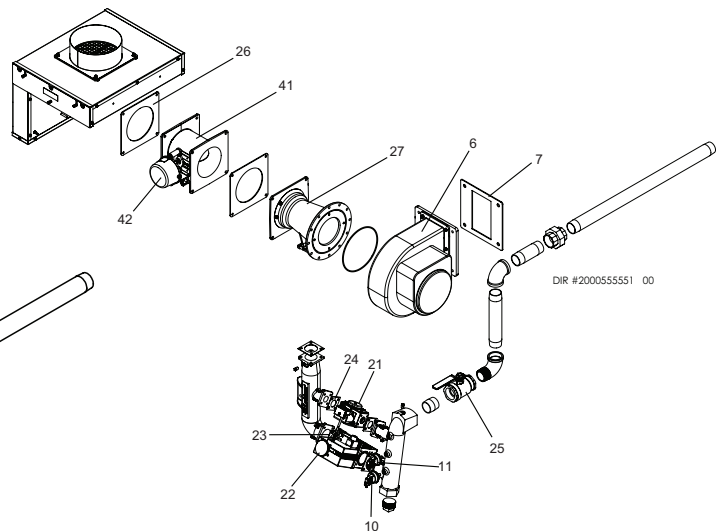
HEAT EXCHANGER



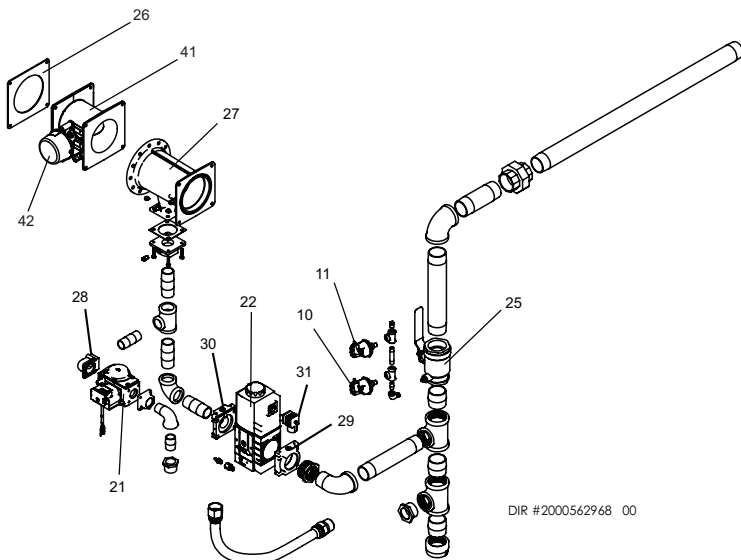
CONTROL PANEL



GAS TRAIN



GAS TRAIN



ITEM NO.	PART NO.	DESCRIPTION	MODEL
CONTROLS (CONTINUED)			
1	100302184	INTEGRATED CONTROL BOARD	APO 751 - 1251
1	100302185	INTEGRATED CONTROL BOARD	APO 1501 - 2001
2	100311038	USER INTERFACE DISPLAY, LCD	ALL
-	100311232	GASKET, USER INTERFACE DISPLAY	ALL
3	100208481*	LOW VOLTAGE CONTROL BOARD	ALL
4	100208476*	LOW VOLTAGE CONTROL BOARD	ALL
-	100208552*	SENSOR, SYSTEM / INLET	ALL
-	100208557*	SENSOR, DUAL OUTLET	ALL
-	100208558*	SENSOR, PREMIX THERMOSTAT LIMIT	ALL
5	100271315*	HIGH LIMIT	ALL
-	100233695*	HIGH LIMIT THERMOSTAT BULB WELL, 3/8 NPT	ALL
6	100073294	FAN ASSEMBLY	APO 751 - 1251
6	100267460	FAN ASSEMBLY	APO 1501 - 2001
7	100208089*	GASKET, FAN	APO 751 - 1251
7	100277796*	GASKET, FAN	APO 1501 - 2001
8	100277772*	PRESSURE SWITCH - 4.1" WATER COLUMN	ALL
9	100289704*	PRESSURE SWITCH - 5.8" WATER COLUMN	APO 751 - 1251
9	100289706*	PRESSURE SWITCH - 2.5" WATER COLUMN	APO 1501 - 2001
10	100208385*	PRESSURE SWITCH - 3.0" WATER COLUMN	ALL
11	100274744*	PRESSURE SWITCH - 27.0" WATER COLUMN	ALL
12	100208509*	RELAY, 120VAC, 60HZ, 10.8 AMP	ALL
13	100277797	MOMENTARY SWITCH, RED - 20 AMP, 125 VOLT	ALL
14	100277798	MOMENTARY SWITCH, BLACK - 20 AMP, 125 VOLT	ALL
15	100271316	ON / OFF SWITCH, RED	ALL
16	100208230	TRANSFORMER, 24V, 40VA	ALL
17	100274743	TRANSFORMER, SPARK	ALL
18	100275047	BACNET BOARD (BEGINNING SERIAL #4015)	ALL
19	100173747	LOW WATER CUTOFF, MANUAL RESET	ALL
20	100277756	PROBE, LWCO	ALL
-	100277801	BOOT, LWCO	ALL
GAS TRAIN ASSEMBLIES			
21	100073358	GAS VALVE ASSEMBLY, NAT - SMALL	APO 751
21	100073359	GAS VALVE ASSEMBLY, NAT - SMALL	APO 1001
21	100073360	GAS VALVE ASSEMBLY, NAT - SMALL (SERIES 100 & 101)	APO 1251
21	100267412	GAS VALVE ASSEMBLY, NAT - SMALL (SERIES 100 & 101)	APO 1501
21	100267413	GAS VALVE ASSEMBLY, NAT - SMALL (SERIES 100 & 101)	APO 1751
21	100267414	GAS VALVE ASSEMBLY, NAT - SMALL (SERIES 100 & 101)	APO 2001
21	100310375	GAS VALVE ASSEMBLY, NAT - SMALL (SERIES 110 & 111)	ALL
21	100073364	GAS VALVE ASSEMBLY, LP - SMALL	APO 751
21	100073365	GAS VALVE ASSEMBLY, LP - SMALL	APO 1001
21	100073366	GAS VALVE ASSEMBLY, LP - SMALL (SERIES 100 & 101)	APO 1251
21	100267415	GAS VALVE ASSEMBLY, LP - SMALL (SERIES 100 & 101)	APO 1501
21	100267416	GAS VALVE ASSEMBLY, LP - SMALL (SERIES 100 & 101)	APO 1751
21	100267417	GAS VALVE ASSEMBLY, LP - SMALL (SERIES 100 & 101)	APO 2001
21	100310375	GAS VALVE ASSEMBLY, LP - SMALL (SERIES 110 & 111)	ALL
22	100073370	GAS VALVE ASSEMBLY, NAT - LARGE	APO 751
22	100073371	GAS VALVE ASSEMBLY, NAT - LARGE	APO 1001
22	100073372	GAS VALVE ASSEMBLY, NAT - LARGE (SERIES 100 & 101)	APO 1251
22	100267418	GAS VALVE ASSEMBLY, NAT - LARGE (SERIES 100 & 101)	APO 1501
22	100267419	GAS VALVE ASSEMBLY, NAT - LARGE (SERIES 100 & 101)	APO 1751
22	100310377	GAS VALVE ASSEMBLY, NAT - LARGE (SERIES 110 & 111)	APO 1251-1751
22	100267420	GAS VALVE ASSEMBLY, NAT - LARGE (SERIES 100 & 101)	APO 2001
22	100171973	GAS VALVE ASSEMBLY, NAT - LARGE (SERIES 110 & 111)	APO 2001
22	100073549	GAS VALVE ASSEMBLY, LP - LARGE	APO 751
22	100073550	GAS VALVE ASSEMBLY, LP - LARGE	APO 1001
22	100073551	GAS VALVE ASSEMBLY, LP - LARGE (SERIES 100 & 101)	APO 1251
22	100267421	GAS VALVE ASSEMBLY, LP - LARGE (SERIES 100 & 101)	APO 1501
22	100267422	GAS VALVE ASSEMBLY, LP - LARGE (SERIES 100 & 101)	APO 1751
22	100310377	GAS VALVE ASSEMBLY, LP - LARGE (SERIES 110 & 111)	APO 1251-1751
22	100267423	GAS VALVE ASSEMBLY, LP - LARGE (SERIES 100 & 101)	APO 2001
22	100171973	GAS VALVE ASSEMBLY, LP - LARGE (SERIES 110 & 111)	APO 2001
23	100208105*	GASKET, GAS VALVE / VENTURI (SERIES 100 & 101)	ALL
23	100208105*	GASKET, GAS VALVE / VENTURI (SERIES 110 & 111)	ALL
24	100289499*	GASKET, GAS TRAIN (SERIES 100 & 101)	ALL
25	100294593	1-1/4" GAS SHUT-OFF VALVE W/ TAP (SERIES 100 & 101)	APO 751 - 1251
25	100288549	1-1/2" GAS SHUT-OFF VALVE W/ TAP (SERIES 100 & 101)	APO 1501 - 2001

PLEASE HAVE MODEL AND SERIAL NUMBER WHEN ORDERING PARTS
***ITEMS DENOTE SUGGESTED INVENTORY PARTS**

ITEM NO.	PART NO.	DESCRIPTION	MODEL
GAS TRAIN ASSEMBLIES (CONTINUED)			
25	100288549	1-1/2" GAS SHUT-OFF VALVE W/ TAP (SERIES 110 & 111)	APO 1251-2001
26	100208089*	GASKET, VENTURI	ALL
27	100288548	VALVE, VENTURI	APO 751
27	100288481	VALVE, VENTURI	APO 1001 - 1251
27	100294592	VALVE, VENTURI	APO 1501 - 1751
27	100274223	VALVE, VENTURI	APO 2001
28	100287996	FLANGE, GAS VALVE, 3/4 NPT, 90 DEG (SERIES 110 & 111)	APO 1251-2001
29	100310379	FLANGE, GAS VALVE, 1-1/2 NPT, DUNGS (SERIES 110 & 111)	APO 1251-1751
30	100310376	SHUTTER, GAS VALVE, 1 NPT (SERIES 110 & 111)	APO 1251-1751
30	100274758	SHUTTER, GAS VALVE, 1-1/2 NPT (SERIES 110 & 111)	APO 2001
31	100310378	CONNECTOR, DUNGS, GAS VALVE (SERIES 110 & 111)	APO 1251-2001
PILOT AND BURNER ASSEMBLIES			
32	100073343*	SENSOR, FLAME W/ GASKET	ALL
-	100233664	GASKET, FLAME SENSOR	ALL
33	100073342*	IGNITOR W/ GASKET	APO 751 - 1251
33	100265150*	IGNITOR W/ GASKET	APO 1501 - 2001
34	100279407*	FLAME SENSOR, REAR, W/ GASKET & SCREWS	ALL
-	100233662	GASKET, IGNITOR	ALL
35	100072640	BURNER W/ GASKET	APO 751
35	100072641	BURNER W/ GASKET	APO 1001
35	100073280	BURNER W/ GASKET	APO 1251
35	100073281	BURNER W/ GASKET	APO 1501
35	100073282	BURNER W/ GASKET	APO 1751
35	100073283	BURNER W/ GASKET	APO 2001
36	100277963*	GASKET, BURNER	ALL
37	100073768	GAS/AIR MANIFOLD W/ GASKET	APO 751 - 1251
37	100073794	GAS/AIR MANIFOLD W/ GASKET	APO 1501 - 2001
38	100288523	COVER, MANIFOLD	ALL
39	100277962*	GASKET, MANIFOLD COVER	ALL
40	100075411	HEAT EXCHANGER DOOR ASSEMBLY	APO 751
40	100075413	HEAT EXCHANGER DOOR ASSEMBLY	APO 1001
40	100076515	HEAT EXCHANGER DOOR ASSEMBLY	APO 1251
40	100267481	HEAT EXCHANGER DOOR ASSEMBLY	APO 1501
40	100267482	HEAT EXCHANGER DOOR ASSEMBLY	APO 1751
40	100267483	HEAT EXCHANGER DOOR ASSEMBLY	APO 2001
41	100161834	AIR METERING VALVE	APO 751
41	100161835	AIR METERING VALVE	APO 1001
41	100161837	AIR METERING VALVE	APO 1251
41	100161836	AIR METERING VALVE	APO 1501 - 1751
41	100161838	AIR METERING VALVE	APO 2001
MISCELLANEOUS			
42	100163214	SIGHT GLASS KIT	ALL
43	100288672	FIBERBOARD, BURNER	APO 751
43	100288673	FIBERBOARD, BURNER	APO 1001
43	100288674	FIBERBOARD, BURNER	APO 1251
43	100288675	FIBERBOARD, BURNER	APO 1501
43	100288676	FIBERBOARD, BURNER	APO 1751
43	100288677	FIBERBOARD, BURNER	APO 2001
44	100288679	INSULATION, HEX WRAP	APO 751
44	100288680	INSULATION, HEX WRAP	APO 1001
44	100288681	INSULATION, HEX WRAP	APO 1251
44	100288682	INSULATION, HEX WRAP	APO 1501
44	100288683	INSULATION, HEX WRAP	APO 1751
44	100289400	INSULATION, HEX WRAP	APO 2001
45	100233667	GASKET, SIGHT GLASS	ALL
-	100294589	AIR INLET COVER	ALL
46	100208448	PRESSURE RELIEF VALVE, 1" X 1-1/4", 50 PSI	ALL
47	100376494	GAUGE, T&P, 0-75 PSI, 50-320F, 2.5" x 1/2", IP65	ALL
-	100208561*	SENSOR, FLUE TEMP	ALL
-	100277775	GAS CUT OFF VALVE 1-1/2"	ALL
-	100277718	CONDENSATE TRAP	ALL
PLEASE HAVE MODEL AND SERIAL NUMBER WHEN ORDERING PARTS *ITEMS DENOTE SUGGESTED INVENTORY PARTS			

ITEM NO.	PART NO.	DESCRIPTION	MODEL
MISCELLANEOUS (CONTINUED)			
48	100289492*	KIT, GASKET SET (SIGHT GLASS / AIR MANIFOLD / HEX PLATE)	APO 751
48	100289493*	KIT, GASKET SET (SIGHT GLASS / AIR MANIFOLD / HEX PLATE)	APO 1001
48	100289494*	KIT, GASKET SET (SIGHT GLASS / AIR MANIFOLD / HEX PLATE)	APO 1251
48	100289495*	KIT, GASKET SET (SIGHT GLASS / AIR MANIFOLD / HEX PLATE)	APO 1501
48	100289496*	KIT, GASKET SET (SIGHT GLASS / AIR MANIFOLD / HEX PLATE)	APO 1751
48	100289497*	KIT, GASKET SET (SIGHT GLASS / AIR MANIFOLD / HEX PLATE)	APO 2001
-	100289433*	AIR FILTER, 1" X 14" X 14"	APO 751 - 1251
-	100302182*	AIR FILTER, 14" X 20"	APO 1501 - 2001
49	100277806	USB CABLE	ALL
-	100277807*	GASKET, AIR INLET COVER	ALL
-	100294590	PLATE ASSEMBLY, INLET ADAPTER	ALL
-	100276810	CABLE, RIBBON	ALL
-	100208633	WIRE HARNESS, SPARK ELECTRODE	ALL
-	100208631	WIRE HARNESS, FLAME SENSOR ELECTRODE	ALL
-	100208808*	FUSE, 1.25A / 250V	ALL
-	100208231*	FUSE, 3.15A / 250V	ALL
-	100208232*	FUSE, 5A / 250V	ALL
-	100277791	CONDENSATE HOSE, BRAIDED, 3/8"	ALL
-	100277792	CONDENSATE HOSE, BRAIDED, 1"	ALL
-	100274793	REFERENCE HOSE, 1/8" (ORDER BY FOOT)	ALL
-	100208336	ALUMINUM TUBING, 1/4"	ALL
-	100302180	COMPRESSION LATCH	ALL
-	100274737	ANTENNA, USB ADAPTER, WIRELESS	ALL
-	100289696	CABLE, USB, 2.0, 12"	ALL
-	100289697	CABLE, USB, 2.0, 60"	ALL
-	100288513	PANEL MOUNTING CABLE	ALL
-	100301827	OUTDOOR KIT	ALL
JACKET ASSEMBLIES			
50	100302143	JACKET, BOTTOM DOOR	ALL
51	100302144	JACKET, TOP DOOR	ALL
52	100302146	JACKET, LEFT SIDE	APO 751 - 1251
53	100302147	JACKET, RIGHT SIDE	APO 751 - 1251
54	100302148	JACKET, TOP, OUTDOOR KIT	APO 751 - 1251
55	100302173	JACKET, TOP REAR	APO 1501 - 2001
56	100302174	JACKET, TOP FRONT	APO 1501 - 2001
57	100302175	JACKET, FRONT LEFT & RIGHT SIDE	APO 1501 - 2001
OUTDOOR AQUAS COMPONENTS			
58	100377179	HEX, PLATE / FRAME, HEXONIC, TI, SW, 3", ASME, 34 PLATE	APO 1000 - 2000
-	100300582	TANK, EXPANSION, 8 GAL, TTA - 20	ALL
-	100300583	GASKET, PIPING ASSEMBLY	APO 1000 - 1250
-	100300585	GASKET, PIPING ASSEMBLY	APO 1500 - 2000
-	100300618	VALVE, AIR VENT, 3/4 NPT, 150 PSI	ALL
-	100300586	RELAY, PILOT CONTROL, 10 AMP	ALL
-	100276808	HI-LIMIT SWITCH, 115 DEG.	ALL
59	100365848	PUMP	APO 750 - 1250
59	100365846	PUMP	APO 1750 - 2000

PLEASE HAVE MODEL AND SERIAL NUMBER WHEN ORDERING PARTS
*ITEMS DENOTE SUGGESTED INVENTORY PARTS

Notes

Notes

