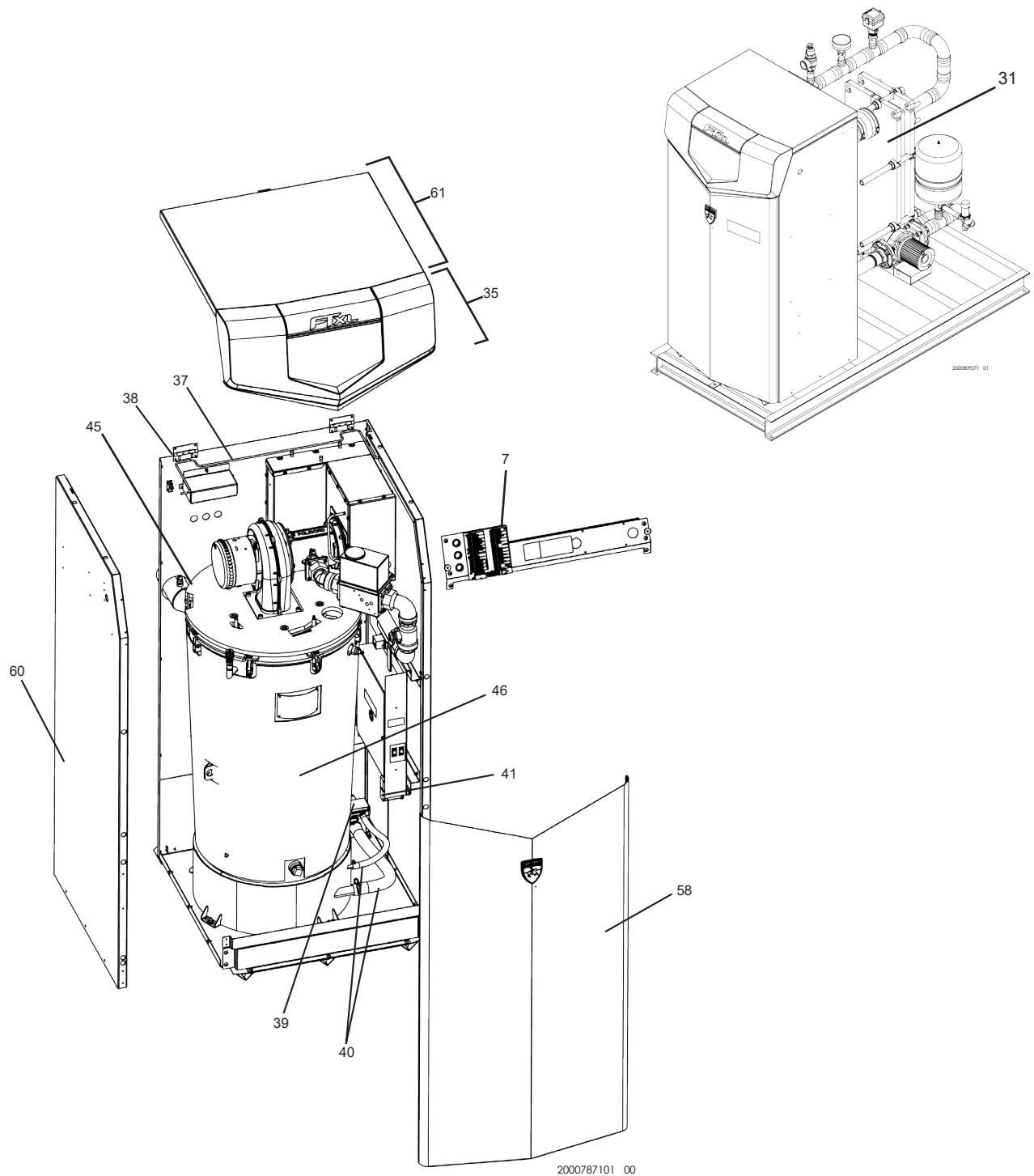




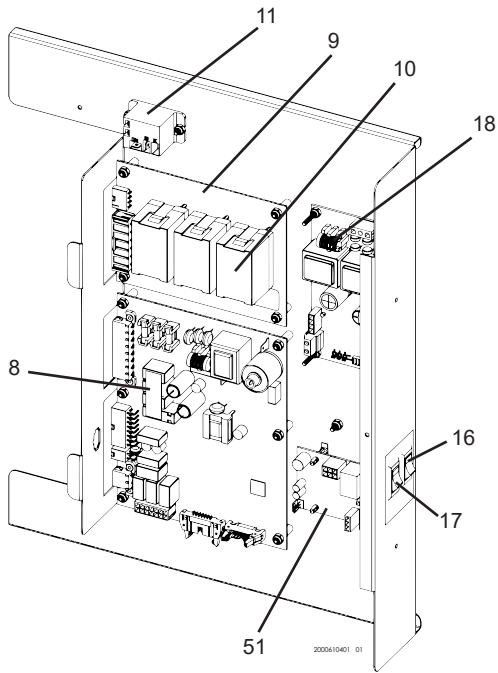
PARTS & SERVICE DEPARTMENT
 Nashville, Tennessee
 877-554-5544 • Fax: 615-882-2918
 parts_team@lochinvar.com
 www.Lochinvar.com

Replacement Parts List

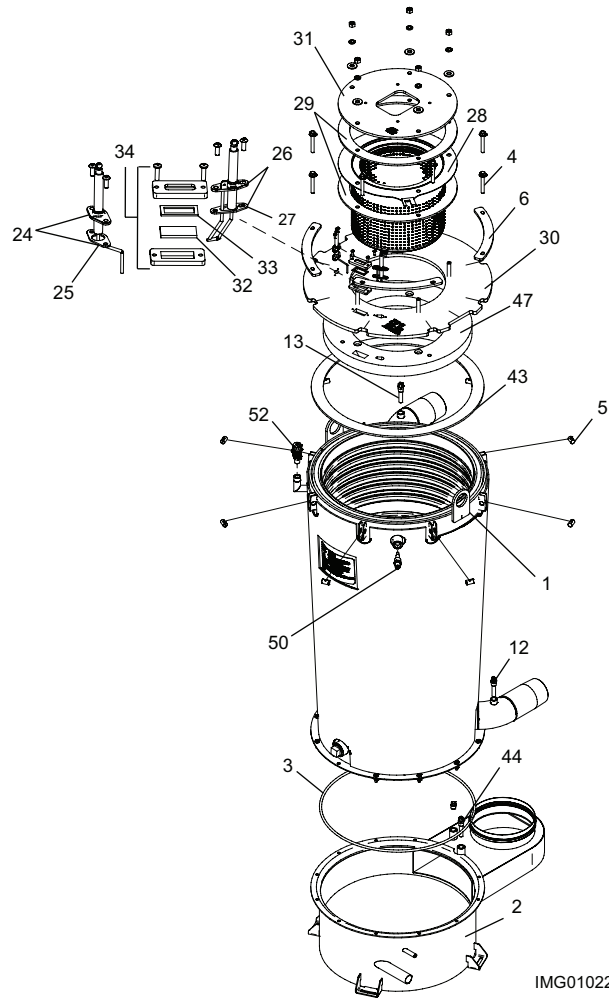
AQUAS™ COMMERCIAL POOL PACKAGE APN 400 - 850



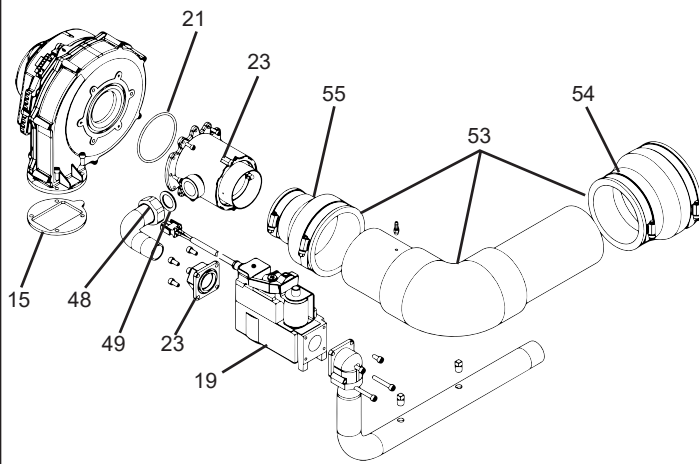
CONTROL PANEL



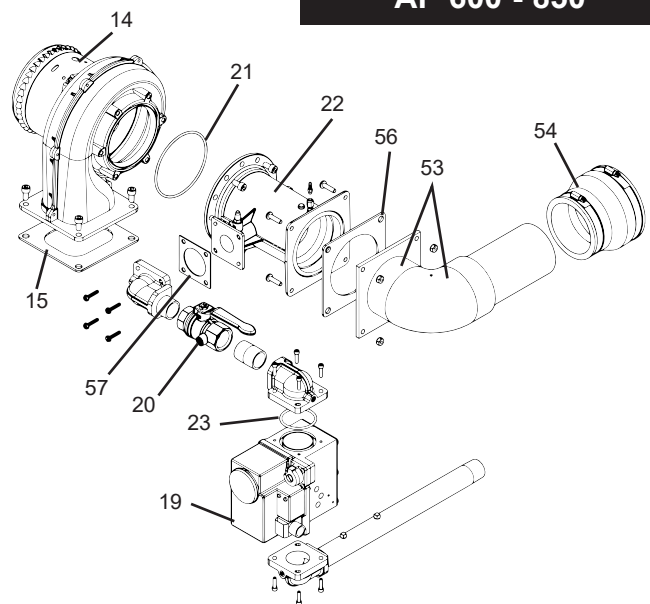
HEAT EXCHANGER



GAS TRAIN AP 400 - 500



GAS TRAIN AP 600 - 850



| ITEM NO. | PART NO. | DESCRIPTION | MODEL |
|---------------------------------------|------------|--|-------------|
| BOILER HEAT EXCHANGER ASSEMBLY | | | |
| 1 | 100188998 | HEAT EXCHANGER COMPLETE | APN400 |
| 1 | 100188999 | HEAT EXCHANGER COMPLETE | APN500-600 |
| 1 | 100189000 | HEAT EXCHANGER COMPLETE | APN725 |
| 1 | 100189001 | HEAT EXCHANGER COMPLETE | APN850 |
| 2 | 100189002 | HEAT EXCHANGER FLUE COLLECTOR | APN400-600 |
| 2 | 100189003 | HEAT EXCHANGER FLUE COLLECTOR | APN725-850 |
| 3 | 100288873* | FLUE / HEAT EXCHANGER GASKET | APN400-600 |
| 3 | 100288874* | FLUE / HEAT EXCHANGER GASKET | APN725-850 |
| - | 100301815 | FLUE GASKET, 4" MODELS | APN400-600 |
| - | 100301832 | FLUE GASKET, 6" MODELS | APN725-850 |
| 4 | 100288875 | BOLT, HEX | ALL |
| 5 | 100288876 | NUT, HEX | ALL |
| 6 | 100288904 | WASHER, HEX | APN 400-600 |
| 6 | 100288905 | WASHER, HEX | APN725-850 |
| INDIRECT HEAT EXCHANGER | | | |
| 7 | 100346282 | HEX, P&F, ALFA LAVAL T6-PFG(16)TI, SW | APN400-600 |
| 7 | 100346283 | HEX, P&F, ALFA LAVAL T6-PFG(22)TI, SW | APN725-850 |
| - | 100300558 | GASKET, HEX, SMALL, M6, MFG, AQUAS / CREST | ALL |
| CONTROLS | | | |
| 8 | 100377950 | CONTROL ASSEMBLY, INTEGRATED, HI-ALTITUDE | APN400 |
| 8 | 100377961 | CONTROL ASSEMBLY, INTEGRATED, HI-ALTITUDE | APN500 |
| 8 | 10037796 | CONTROL ASSEMBLY, INTEGRATED, HI-ALTITUDE | APN600 |
| 8 | 100377963 | CONTROL ASSEMBLY, INTEGRATED, HI-ALTITUDE | APN725 |
| 8 | 100377964 | CONTROL ASSEMBLY, INTEGRATED, HI-ALTITUDE | APN850 |
| 8 | 100378039 | CONTROL BOARD | APN400 |
| 8 | 100378040 | CONTROL BOARD | APN500 |
| 8 | 100378182 | CONTROL BOARD | APN600 |
| 8 | 100378183 | CONTROL BOARD | APN725 |
| 8 | 100378185 | CONTROL BOARD | APN850 |
| 8 | 100378186 | CONTROL BOARD | APN400 |
| 8 | 100378187 | CONTROL BOARD, HI-ALTITUDE | APN500 |
| 8 | 100378188 | CONTROL BOARD, HI-ALTITUDE | APN600 |
| 8 | 100378189 | CONTROL BOARD, HI-ALTITUDE | APN725 |
| 8 | 100378190 | CONTROL BOARD, HI-ALTITUDE | APN850 |
| 9 | 100208493* | PUMP RELAY BOARD, 1.5 HP | ALL |
| 10 | 100208502* | RELAY, 1.5 HP PUMP | ALL |
| 11 | 100208509* | RELAY, 120VAC, 60HZ, 10.8 AMP | ALL |
| 12 | 100208549* | INLET SENSOR | ALL |
| 13 | 100208544* | OUTLET SENSOR/ HIGH LIMIT | ALL |
| 14 | 100188879 | FAN ASSEMBLY | APN400 |
| 14 | 100188878 | FAN ASSEMBLY | APN500 |
| 14 | 100188877 | FAN ASSEMBLY | APN600-850 |
| 15 | 100288877 | GASKET, FAN | APN400-500 |
| 15 | 100288878 | GASKET, FAN | APN600-850 |
| 16 | 100277798 | MOMENTARY SWITCH, BLACK - 20 AMP, 125 VOLT | ALL |
| 17 | 100277797 | MOMENTARY SWITCH, RED - 20 AMP, 125 VOLT | ALL |
| 18 | 100277771 | MODBUS INTERFACE BOARD-MTR-01 | ALL |
| - | 100208552 | SENSOR, THERMOSTAT | ALL |
| - | 100170645 | KIT, SYSTEM SENSOR | ALL |
| PILOT & BURNER ASSEMBLIES | | | |
| - | 100208620 | HARNESS, IGNITOR | ALL |
| 19 | 100189393 | GAS VALVE ASSEMBLY NAT & LP | APN400 |
| 19 | 100189392 | GAS VALVE ASSEMBLY NAT & LP | APN500 |
| 19 | 100189391 | GAS VALVE ASSEMBLY NAT | APN600 |
| 19 | 100189390 | GAS VALVE ASSEMBLY NAT | APN725 |

PLEASE HAVE MODEL AND SERIAL NUMBER WHEN ORDERING PARTS
*ITEMS DENOTE SUGGESTED INVENTORY PARTS

| ITEM NO. | PART NO. | DESCRIPTION | MODEL |
|--|------------|--|--------------|
| PILOT & BURNER ASSEMBLIES (CONTINUED) | | | |
| 19 | 100189389 | GAS VALVE ASSEMBLY NAT | APN850 |
| 19 | 100189388 | GAS VALVE ASSEMBLY LP | APN600 |
| 19 | 100189387 | GAS VALVE ASSEMBLY LP | APN725 |
| 19 | 100189386 | GAS VALVE ASSEMBLY LP | APN850 |
| 20 | 100277803 | GAS CUT OFF VALVE 3/4" | APN500 |
| 20 | 100288546 | GAS CUT OFF VALVE 1" | APN600-850 |
| 21 | 100208761* | GASKET, FAN / VENTURI | APN400-500 |
| 21 | 100233705* | GASKET, FAN / VENTURI | APN600-850 |
| 22 | 100278070 | VENTURI ASSEMBLY - NATURAL | APN400-500 |
| 22 | 100288545 | VENTURI ASSEMBLY - LP | APN400-500 |
| 22 | 100288547 | VENTURI ASSEMBLY | APN600 |
| 22 | 100288879 | VENTURI ASSEMBLY | APN725-850 |
| 23 | 100375766 | GAS VALVE FLANGE W/ GASKET | APN400 |
| 23 | 100288880 | GASKET, GAS VALVE | APN500 |
| 23 | 100288891 | GASKET, GAS VALVE | APN600-850 |
| 24 | 100165923* | FLAME SENSOR W/ GASKET | ALL |
| 25 | 100233664 | GASKET, FLAME SENSOR | ALL |
| 26 | 100165924* | IGNITOR W/ GASKET | ALL |
| 27 | 100233662 | GASKET, IGNITOR | ALL |
| 28 | 100188648 | BURNER W/ GASKET | APN400 |
| 28 | 100188649 | BURNER W/ GASKET | APN500-600 |
| 28 | 100188650 | BURNER W/ GASKET | APN725-850 |
| 29 | 100288892* | GASKET, BURNER | APN400-600 |
| 29 | 100288893* | GASKET, BURNER | APN725-850 |
| 30 | 100189410 | HEAT EXCHANGER DOOR ASSEMBLY | APN400-600 |
| 30 | 100189409 | HEAT EXCHANGER DOOR ASSEMBLY | APN725-850 |
| 31 | 100189408 | PLATE, FAN HEAT EXCHANGER ASSEMBLY | APN400-500 |
| 31 | 100189407 | PLATE, FAN HEAT EXCHANGER ASSEMBLY | APN600 |
| 31 | 100189406 | PLATE, FAN HEAT EXCHANGER ASSEMBLY | APN725-850 |
| MISCELLANEOUS | | | |
| - | 100284709 | TRAP, CONDENSATE | ALL |
| - | 100208152 | GAUGE, TRIOMETER | ALL |
| - | 100208447 | VALVE, RELIEF | ALL |
| - | 100276808 | HI-LIMIT SWITCH, 115 DEG. | ALL |
| 32 | 100274750 | SIGHT GLASS | ALL |
| 33 | 100274752 | GASKET, SIGHT GLASS - WHITE | ALL |
| 34 | 100189215 | KIT, SIGHT GLASS W/ GASKETS | ALL |
| 35 | 100189217 | DISPLAY BEZEL ASSEMBLY - SERIES 100/110 | APN400 - 850 |
| 35 | 100381515 | DISPLAY BEZEL ASSEMBLY - SERIES 120 | APN400 - 850 |
| 36 | 100278236 | DISPLAY BEZEL - SERIES 100/110 | APN400 - 850 |
| 37 | 100288909 | BEZEL PROP ROD | ALL |
| 38 | 100288910 | HINGE SPRING | ALL |
| 39 | 100277718 | CONDENSATE TRAP (PRIOR TO SERIAL #1741) | APN400 - 850 |
| 39 | 100284709 | CONDENSATE TRAP (BEGINNING SERIAL #1741) | ALL |
| 40 | 100288163 | HOSE, CONDENSATE | ALL |
| 41 | 100208246 | TRANSFORMER, 24V, 60VA | ALL |
| 42 | 100277824 | FLUTED KNOB W/ SKIRT - SERIES 100/110 | APN400 - 850 |
| 43 | 100288908* | HEAT EXCHANGER GASKET SET | APN400 - 600 |
| 43 | 100288921* | HEAT EXCHANGER GASKET SET | APN725 - 850 |
| 44 | 100208561* | SENSOR, FLUE TEMP | ALL |
| 45 | 100288894 | TOP INSULATION | APN400-500 |
| 45 | 100288895 | TOP INSULATION | APN600 |
| 45 | 100288896 | TOP INSULATION | APN725-850 |
| 46 | 100288897 | BLANKET INSULATION | APN400-600 |
| 46 | 100288898 | BLANKET INSULATION | APN725-850 |
| 47 | 100288927 | BURNER FIBERBOARD | APN400-600 |

PLEASE HAVE MODEL AND SERIAL NUMBER WHEN ORDERING PARTS
*ITEMS DENOTE SUGGESTED INVENTORY PARTS

| ITEM NO. | PART NO. | DESCRIPTION | MODEL |
|--|------------|---|------------|
| MISCELLANEOUS (CONTINUED) | | | |
| 47 | 100288928 | BURNER FIBERBOARD | APN725-850 |
| 48 | 100278091 | UNION ADAPTER | APN400-500 |
| 49 | 100288899 | 1" DONUT GASKET | APN400-500 |
| 50 | 100309672 | PROBE, LOW WATER CUT-OFF | ALL |
| 53 | 100276822* | LOW WATER CUT-OFF - AUTO / MANUAL RESET | ALL |
| 54 | 100167445 | AIR VENT VALVE | ALL |
| 55 | 100189214 | AIR INLET KIT | APN400-500 |
| 55 | 100189213 | AIR INLET KIT | APN600-850 |
| 56 | 100288558 | COUPLING, AIR INLET, 3" X 4" | APN400-850 |
| 57 | 100275561 | AIR INLET COUPLING, 2" X 3", W/ CLAMPS | APN400-500 |
| 58 | 100208089 | GASKET, VENTURI INLET | APN600-850 |
| 59 | 100208105 | GASKET, GAS VALVE / VENTURI | APN600-850 |
| - | 100208242 | ON / OFF SWITCH W/ I-O SYMBOL | ALL |
| - | 100208454 | RELIEF VALVE, 3/4", 50 PSI | APN400-600 |
| - | 100208442 | PRESSURE RELIEF VALVE, 3/4", 50 PSI | APN725-850 |
| - | 100208834 | OUTDOOR AIR SENSOR | ALL |
| - | 100208152 | GAUGE TRIOMETER, 75 PSI | ALL |
| - | 100208552 | SENSOR, SYSTEM / INLET | ALL |
| - | 100208308 | DOOR CATCH, BLUE - SERIES 100/110 | APN400-850 |
| - | 100208818 | DOOR STRIKE - SERIES 100/110 | APN400-850 |
| - | 100277748 | WIRE HARNESS, UNIT - SERIES 100/110 | APN400-850 |
| - | 100367814 | WIRE HARNESS, UNIT - SERIES 120 | APN400-850 |
| - | 100288900 | WIRE HARNESS, POWER | APN400-850 |
| - | 100278061 | WIRE HARNESS, FLAME SENSOR ELECTRODE | ALL |
| - | 100208620 | WIRE HARNESS, SPARK ELECTRODE | ALL |
| - | 100288901 | RIBBON CABLE - SERIES 100/110 | APN400-850 |
| - | 100346596 | COMMUNICATION HARNESS - SERIES 120 | APN400-850 |
| - | 100288902 | WIRE HARNESS, GAS VALVE | APN400-500 |
| - | 100299111 | WIRE HARNESS, GAS VALVE | APN600-850 |
| - | 100170645 | SYSTEM SENSOR KIT W/ BULB WELL | ALL |
| - | 100189160 | INSTALLATION KIT | APN400-600 |
| - | 100189161 | INSTALLATION KIT | APN725-850 |
| - | 100189174 | LP CONVERSION KIT | APN400-500 |
| - | 100189175 | LP CONVERSION KIT | APN600-850 |
| - | 100289529 | USER INTERFACE OVERLAY LABEL - SERIES 100/110 | APN400-850 |
| PUMP | | | |
| - | 100307555 | PUMP, CIRCULATING | ALL |
| JACKET ASSEMBLY | | | |
| 58 | 100189062 | JACKET, OUTER FRONT - SERIES 100/110 | APN400-850 |
| 58 | 100367815 | JACKET, OUTER FRONT - SERIES 120 | APN400-850 |
| 59 | 100189063 | JACKET, OUTER RIGHT - SERIES 100/110 | APN400-850 |
| 59 | 100367816 | JACKET, OUTER RIGHT - SERIES 120 | APN400-850 |
| 60 | 100189064 | JACKET, OUTER LEFT - SERIES 100/110 | APN400-850 |
| 60 | 100367818 | JACKET, OUTER LEFT - SERIES 120 | APN400-850 |
| 61 | 100381516 | JACKET, OUTER TOP - SERIES 120 | APN400-850 |
| PLEASE HAVE MODEL AND SERIAL NUMBER WHEN ORDERING PARTS | | | |
| *ITEMS DENOTE SUGGESTED INVENTORY PARTS | | | |

NOTES

NOTES

