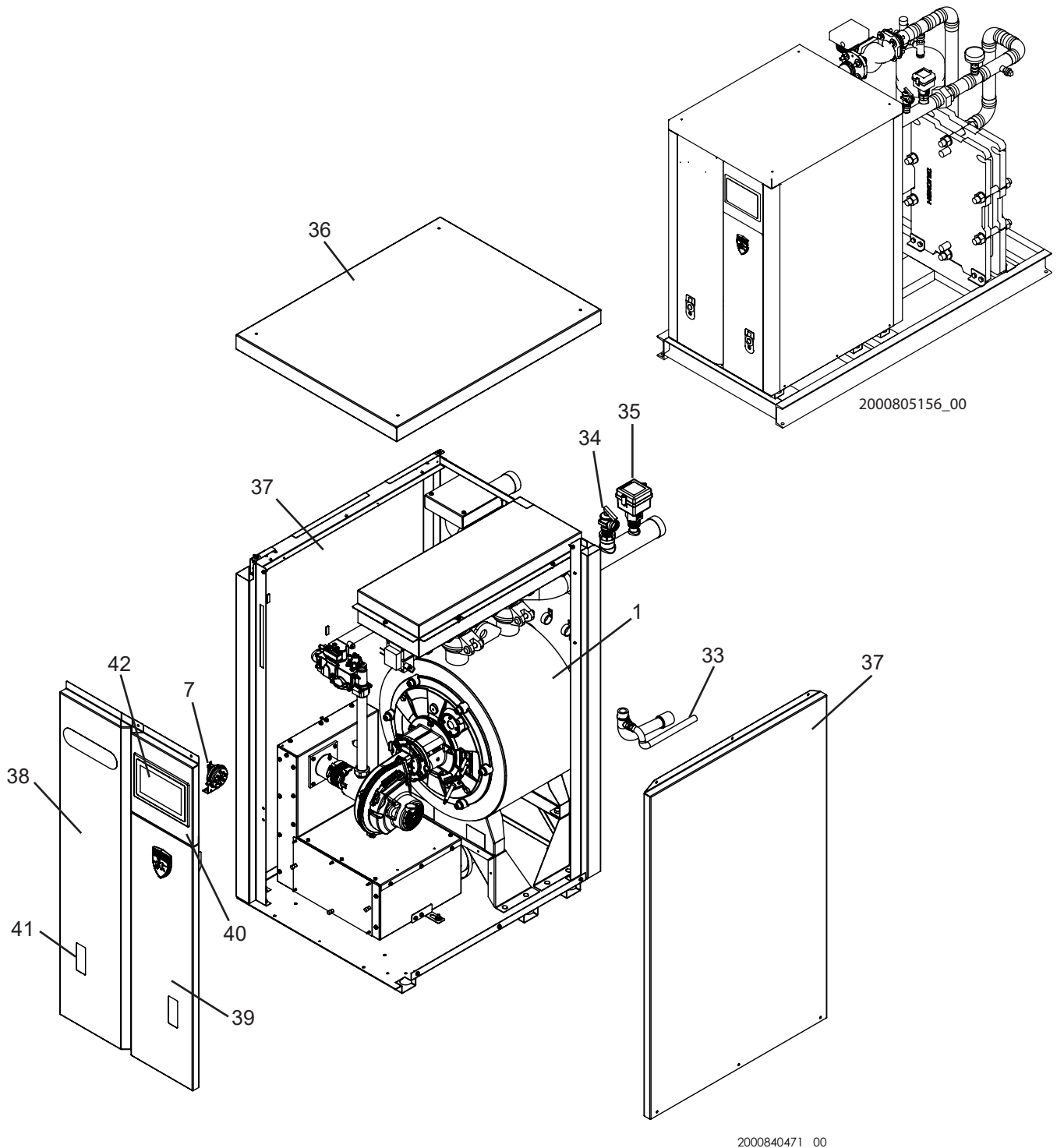




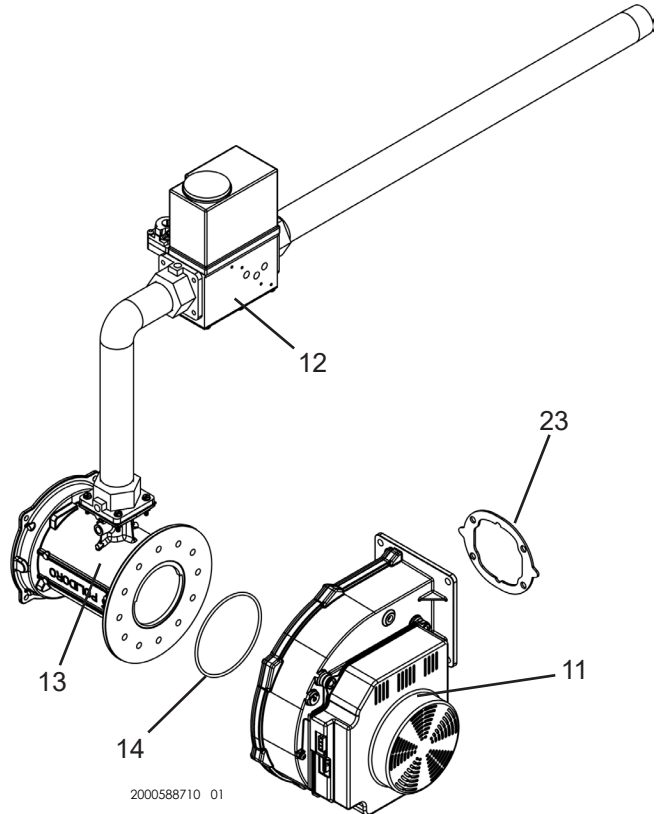
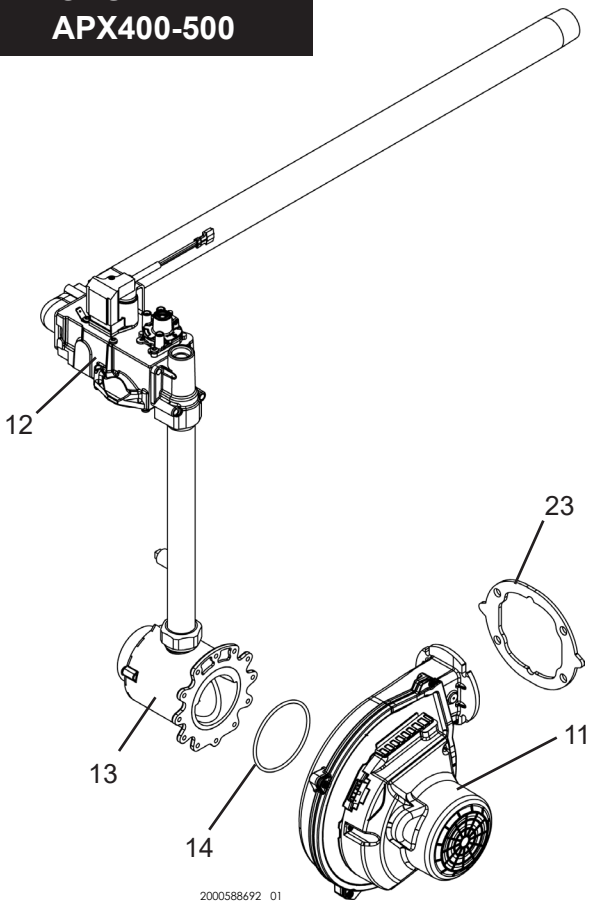
## Replacement Parts List

**PARTS & SERVICE DEPARTMENT**  
 Nashville, Tennessee  
 877-554-5544 • Fax: 615-882-2918  
 parts\_team@lochinvar.com  
 www.Lochinvar.com

### Aquas™ Commercial Pool Package APX0400 - 1000

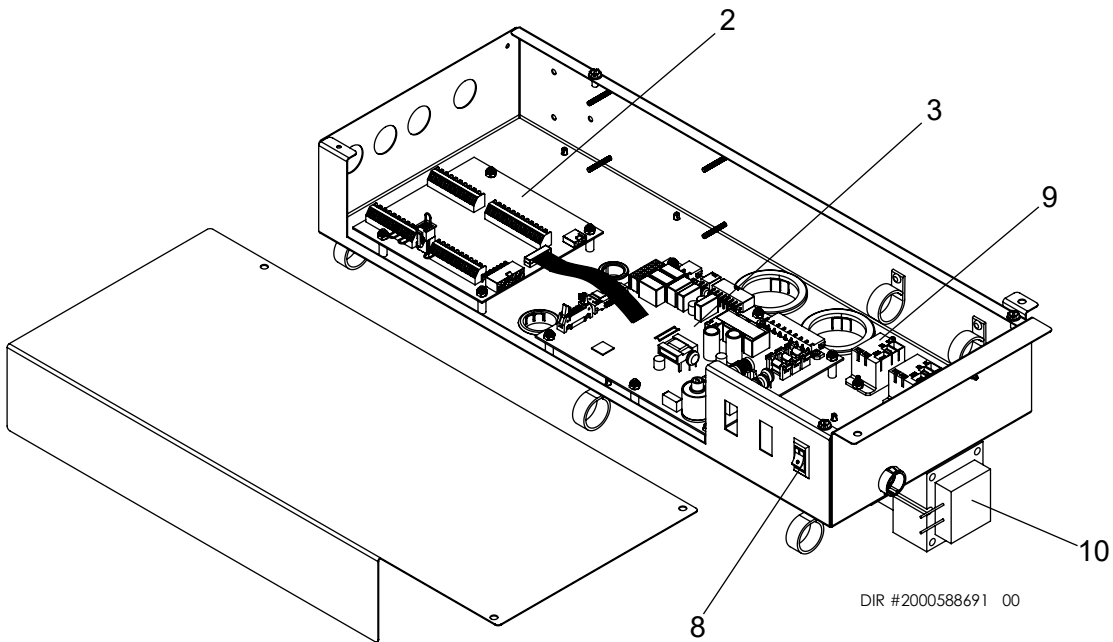


**GAS TRAIN  
APX400-500**

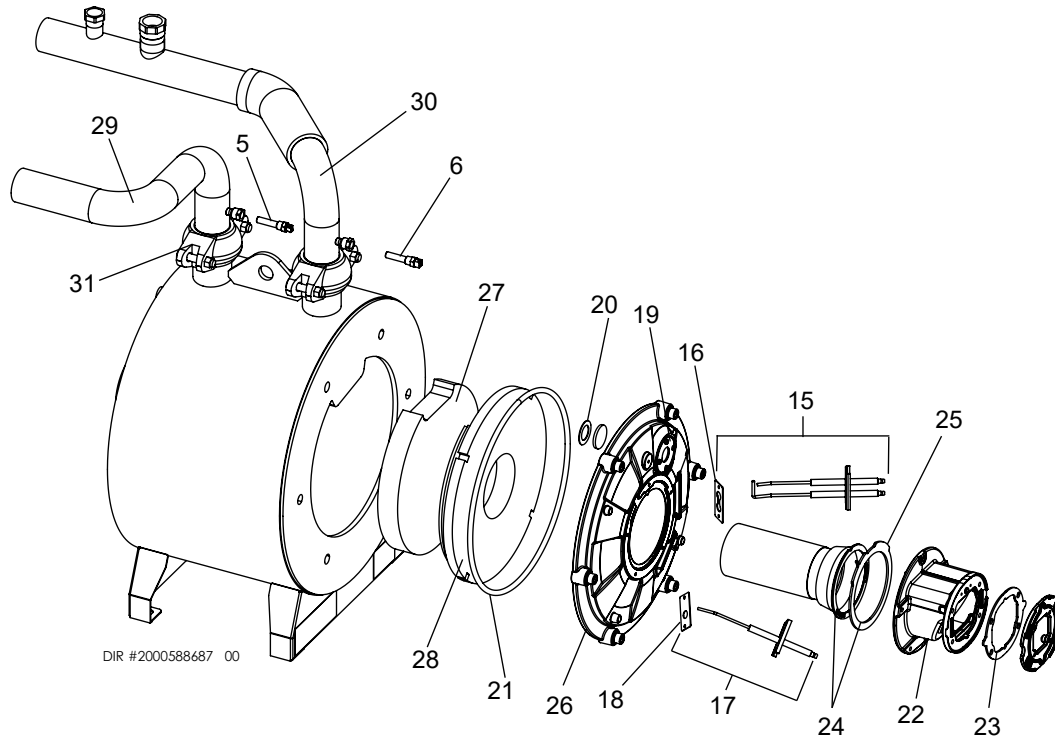


**GAS TRAIN  
APX0650-1000**

**CONTROLS**



# HEAT EXCHANGER



ITEM NO.	PART NO.	DESCRIPTION	MODEL
<b>HEAT EXCHANGER ASSEMBLIES</b>			
1	100330273	HEAT EXCHANGER ASSEMBLY	APX0400
1	100330274	HEAT EXCHANGER ASSEMBLY	APX0500
1	100330275	HEAT EXCHANGER ASSEMBLY	APX0650
1	100330276	HEAT EXCHANGER ASSEMBLY	APX0800
1	100330277	HEAT EXCHANGER ASSEMBLY	APX1000
1	<b>100383463</b>	HEAT EXCHANGER ASSEMBLY, INDIRECT	APX0400-0650
1	<b>100383464</b>	HEAT EXCHANGER ASSEMBLY, INDIRECT	APX0800-1000
<b>CONTROLS</b>			
2	<b>100208459*</b>	LOW VOLTAGE CONNECTION BOARD, PRIOR SERIAL #2148	ALL
2	<b>100351933</b>	LOW VOLTAGE CONNECTION BOARD, BEG SERIAL #2148	ALL
3	100385591	CONTROL BOARD	APX0400
3	100385592	CONTROL BOARD	APX0500
3	100385593	CONTROL BOARD	APX0650
3	100385594	CONTROL BOARD	APX0800
3	100385596	CONTROL BOARD	APX1000
4	<b>100330279*</b>	DISPLAY ASSEMBLY INTERFACE	ALL
5	<b>100208563*</b>	SENSOR, INLET	ALL
6	<b>100208558*</b>	SENSOR, OUTLET	ALL
-	<b>100330186*</b>	SENSOR, FLUE W/ GROMMET	ALL
7	<b>100208381*</b>	SWITCH, AIR PRESSURE (NO SWITCH FOR 500, sfjksanfkdsnfksa.bnfjkewhmf650, OR 1000 MODELS)	APX0400 & APX0800
8	<b>100208242</b>	SWITCH, POWER ON/OFF	ALL
9	<b>100208509</b>	PUMP RELAY	ALL
10	100340202	TRANSFORMER, 120 X 24V, 100VA, 50/60 HZ	ALL
<b>GAS TRAIN</b>			
11	<b>100330187</b>	FAN W/ GASKETS	APX0400-0500
11	100330188	FAN W/ GASKETS	APX0650-0800
<b>PLEASE HAVE SERIAL NUMBER AVAILABLE WHEN ORDERING PARTS</b>			
<b>*ITEMS DENOTE SUGGESTED INVENTORY PARTS</b>			

ITEM NO.	PART NO.	DESCRIPTION	MODEL
<b>GAS TRAIN (CONTINUED)</b>			
11	100330189	FAN W/ GASKETS	APX1000
12	<a href="#">100330192</a>	GAS VALVE W/ GASKET	APX0400-0500
12	<a href="#">100172015</a>	GAS VALVE W/ GASKET	APX0650
12	100330193	GAS VALVE W/ GASKET	APX0800-1000
13	100330194	VENTURI W/ GASKET (NATURAL GAS)	APX0400
13	100330195	VENTURI W/ GASKET (NATURAL GAS)	APX0500
13	100330196	VENTURI W/ GASKET (NATURAL GAS)	APX0650
13	100330197	VENTURI W/ GASKET (NATURAL GAS)	APX0800
13	100330199	VENTURI W/ GASKET (NATURAL GAS)	APX1000
14	<a href="#">100208761</a>	GASKET, VENTURI	APX0400-0500
14	<a href="#">100233705</a>	GASKET, VENTURI	APX0650-0800
14	<a href="#">100233698</a>	GASKET, VENTURI	APX1000
-	<a href="#">100288880</a>	O-RING, GAS VALVE	APX0400-0500
-	<a href="#">100288899</a>	GASKET, G-NUT	APX0400-0500
-	<a href="#">100208105</a>	GASKET, GAS VALVE / VENTURI, CORK	APX0650-1000
<b>IGNITION &amp; BURNER ASSEMBLIES</b>			
15	<a href="#">100297132*</a>	IGNITOR W/ GASKET & SCREWS	ALL
16	<a href="#">100297133*</a>	GASKET, IGNITOR	ALL
17	<a href="#">100330200*</a>	FLAME SENSOR W/ GASKET & SCREWS	ALL
18	<a href="#">100330341*</a>	GASKET, FLAME SENSOR	ALL
19	100330201	SIGHT GLASS	ALL
20	<a href="#">100297136</a>	GASKET, SIGHT GLASS	ALL
21	100330202	GASKET, DOOR, ROPE	ALL
22	100330209	INTAKE MANIFOLD, HEX, INLET	APX0400-0500
22	100330203	INTAKE MANIFOLD, HEX, INLET	APX0650-0800
22	100330204	INTAKE MANIFOLD, HEX, INLET	APX1000
23	100330206	INTAKE MANIFOLD GASKET	APX0400-0500
23	100330207	INTAKE MANIFOLD GASKET	APX0650-0800
23	100330208	INTAKE MANIFOLD GASKET	APX1000
24	100330210	BURNER W/ GASKETS	APX0400
24	100330211	BURNER W/ GASKETS	APX0500
24	100330212	BURNER W/ GASKETS	APX0650
24	100330213	BURNER W/ GASKETS	APX0800
24	100330214	BURNER W/ GASKETS	APX1000
25	<a href="#">100330215*</a>	GASKET, BURNER	ALL
26	100330216	DOOR, BURNER	ALL
<b>MISCELLANEOUS</b>			
27	100330218	INSULATION, DEFLECTOR	ALL
28	100330217	INSULATION, BURNER DOOR	ALL
-	100330219	GASKET, FLUE OUTLET	APX0400-0500
-	100330220	GASKET, FLUE OUTLET	APX0650-1000
-	100330315	FLUE CLAMP RING	APX0400-0500
-	100330314	FLUE CLAMP RING	APX0650-1000
29	100330223	WATER PIPE, INLET	APX0400-0800
29	100330224	WATER PIPE, INLET	APX1000
30	100330225	WATER PIPE, OUTLET	APX0400
30	100330226	WATER PIPE, OUTLET	APX0500
30	100330227	WATER PIPE, OUTLET	APX0650
30	100330229	WATER PIPE, OUTLET	APX0800
30	100330230	WATER PIPE, OUTLET	APX1000
31	100330232	COUPLING, WATER PIPE	ALL
32	<a href="#">100284709</a>	CONDENSATE TRAP ASSEMBLY	APX0400-0650

PLEASE HAVE SERIAL NUMBER AVAILABLE WHEN ORDERING PARTS  
\*ITEMS DENOTE SUGGESTED INVENTORY PARTS

ITEM NO.	PART NO.	DESCRIPTION	MODEL
<b>MISCELLANEOUS (CONTINUED)</b>			
32	100383465	CONDENSATE TRAP ASSEMBLY	APX0800-1000
33	100330234	HOSE, CONDENSATE TRAP	ALL
34	<a href="#">100208454</a>	VALVE, RELIEF - 50 PSI	APX0400-0650
34	<a href="#">100208442</a>	VALVE, RELIEF - 50 PSI	APX0800-1000
-	<a href="#">100208834</a>	SENSOR, OUTDOOR	ALL
35	<a href="#">100335986</a>	FLOW SWITCH, W/ PADDLE #2	ALL
-	100330235	HARNESS, SPARK IGNITOR	ALL
-	<a href="#">100208622</a>	HARNESS, FLAME SENSOR	ALL
-	100330236	HARNESS, ELECTRODE, GROUND	ALL
-	100330237	HARNESS, COMMUNICATION CABLE	ALL
-	100376312	HARNESS, WIRE, PANEL	APX0400-0800
-	100376313	HARNESS, WIRE, PANEL	APX1000
-	100376314	HARNESS, SENSOR	ALL
-	<a href="#">100208808*</a>	FUSE, 0.8A / 250V	ALL
-	<a href="#">100297121*</a>	FUSE, 3.15A / 250V	ALL
-	<a href="#">100290102*</a>	FUSE, 6.30A / 250V	ALL
-	<a href="#">100233577</a>	AIR FILTER	ALL
-	100371406	DISPLAY TAPE SERVICE KIT	ALL
-	<a href="#">100307555</a>	CIRCULATOR PUMP	APX0400-0650
-	100383467	CIRCULATOR PUMP	APX0800-1000
-	<a href="#">100208152</a>	TEMPERATURE AND PRESSURE GAUGE	APX0400-0650
-	100383466	TEMPERATURE AND PRESSURE GAUGE	APX0800-1000
<b>OPTION KITS</b>			
-	100377304	KIT, OUTDOOR	APX0400-0650
-	100377311	KIT, OUTDOOR	APX0800-1000
-	100330251	KIT, LP CONVERSION (W/ LP VENTURI)	APX0400
-	<a href="#">100330252</a>	KIT, LP CONVERSION (W/ LP VENTURI)	APX0500
-	100330253	KIT, LP CONVERSION (W/ LP VENTURI)	APX0650
-	100330254	KIT, LP CONVERSION (W/ LP VENTURI)	APX0800
-	100330255	KIT, LP CONVERSION (W/ LP VENTURI)	APX1000
<b>JACKET ASSEMBLIES</b>			
36	100335954	JACKET, TOP	APX0400-0500
36	100335955	JACKET, TOP	APX0650-0800
36	100335956	JACKET, TOP	APX1000
37	100335957	JACKET, SIDES	APX0400-0500
37	100335958	JACKET, SIDES	APX0650-0800
37	100335959	JACKET, SIDES	APX1000
38	100335981	JACKET, FRONT, LEFT	ALL
39	100330248	JACKET, FRONT, BOTTOM, RIGHT	ALL
40	100330249	JACKET, FRONT, TOP, RIGHT	ALL
41	<a href="#">100302180</a>	LATCH, COMPRESSION	ALL
42	<a href="#">100330185</a>	DISPLAY ASSEMBLY INTERFACE	ALL
-	100335984	COVER, CONTROL	ALL
<b>ANNUAL PREVENTATIVE MAINTENANCE KITS</b>			
-	<a href="#">100345163*</a>	KIT, PM SERVICE	APX0400-0500
-	<a href="#">100345164*</a>	KIT, PM SERVICE	APX0650-0800
-	<a href="#">100345165*</a>	KIT, PM SERVICE	APX1000
<b>PLEASE HAVE SERIAL NUMBER AVAILABLE WHEN ORDERING PARTS</b>			
<b>*ITEMS DENOTE SUGGESTED INVENTORY PARTS</b>			

# Notes

# Notes

