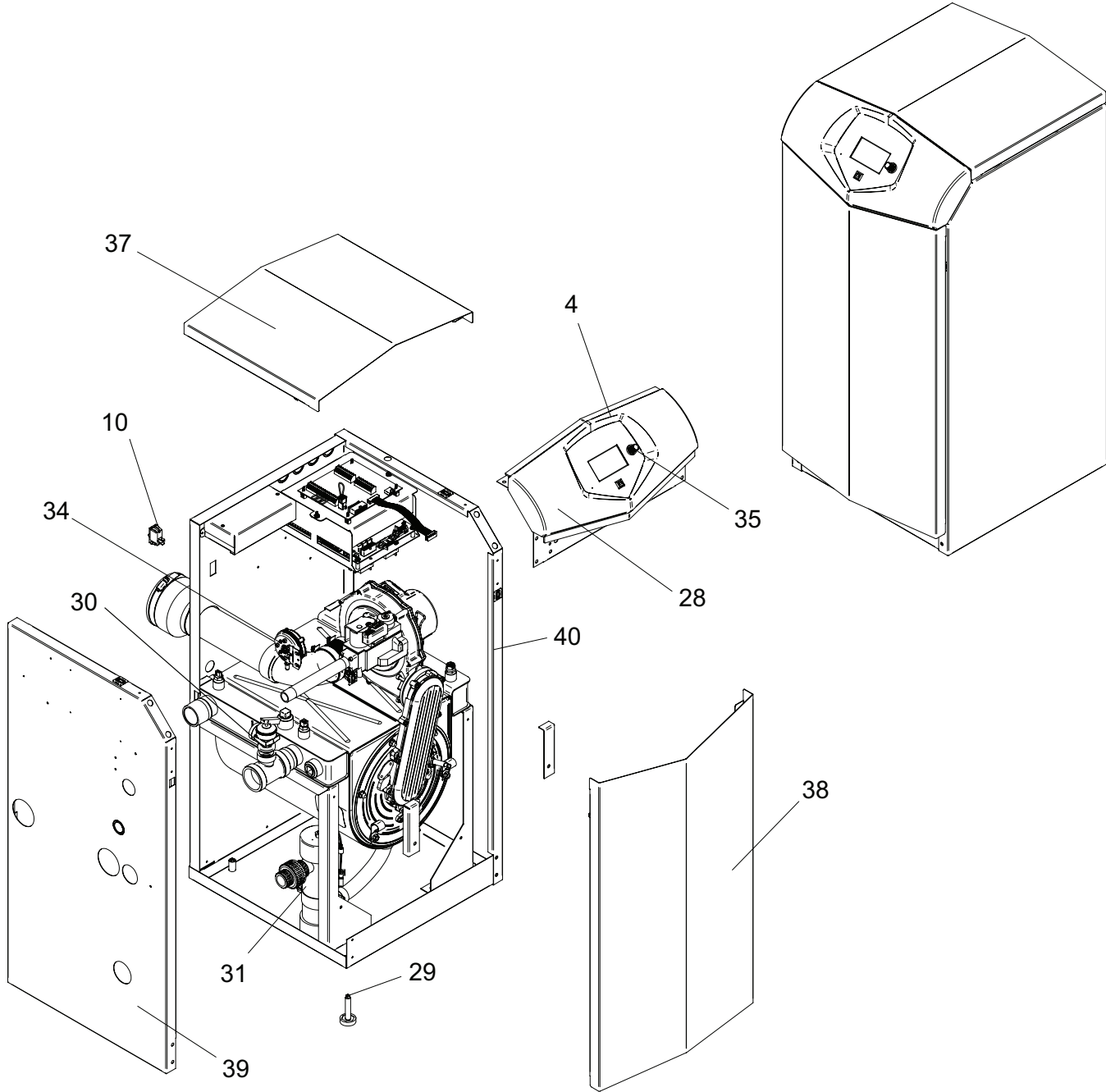




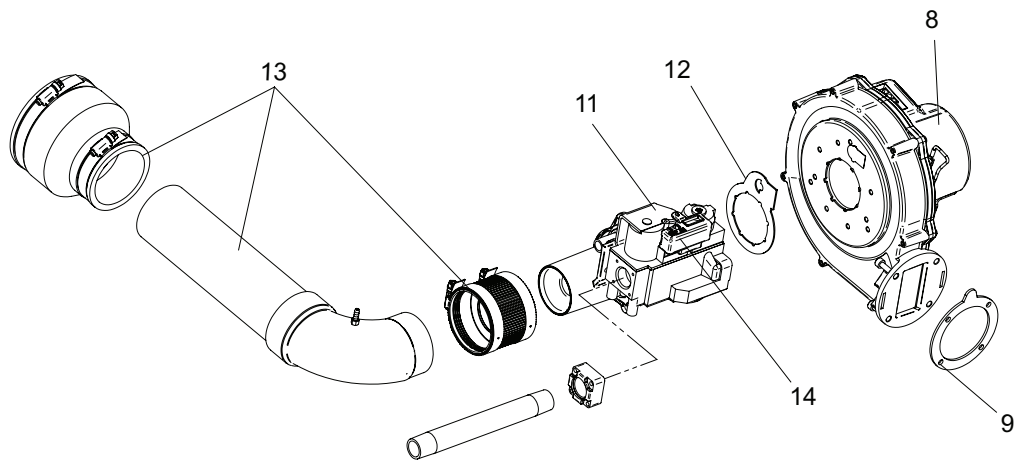
PARTS & SERVICE DEPARTMENT
Nashville, Tennessee
877-554-5544 • Fax: 615-882-2918
parts_team@lochinvar.com
www.Lochinvar.com

Replacement Parts List

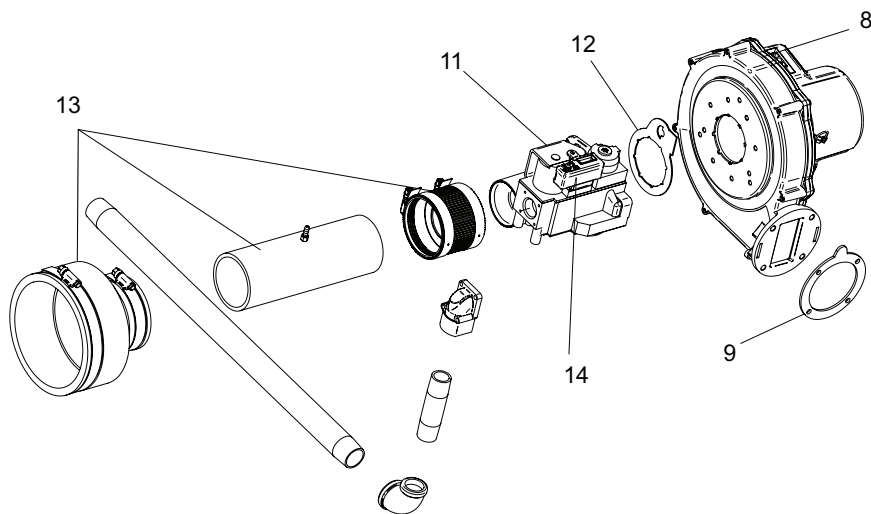
Armor
Condensing Water Heater
AW 151 thru 286



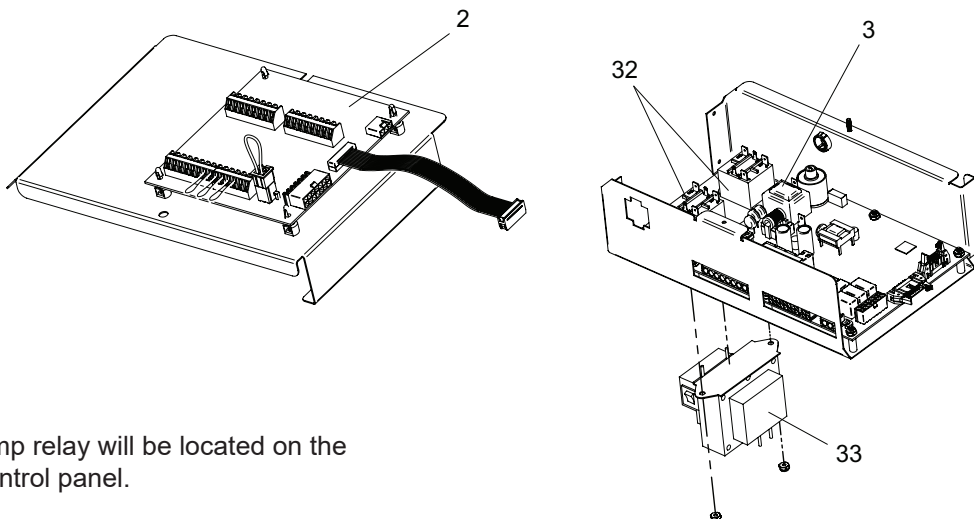
GAS TRAIN 151-201



GAS TRAIN 286

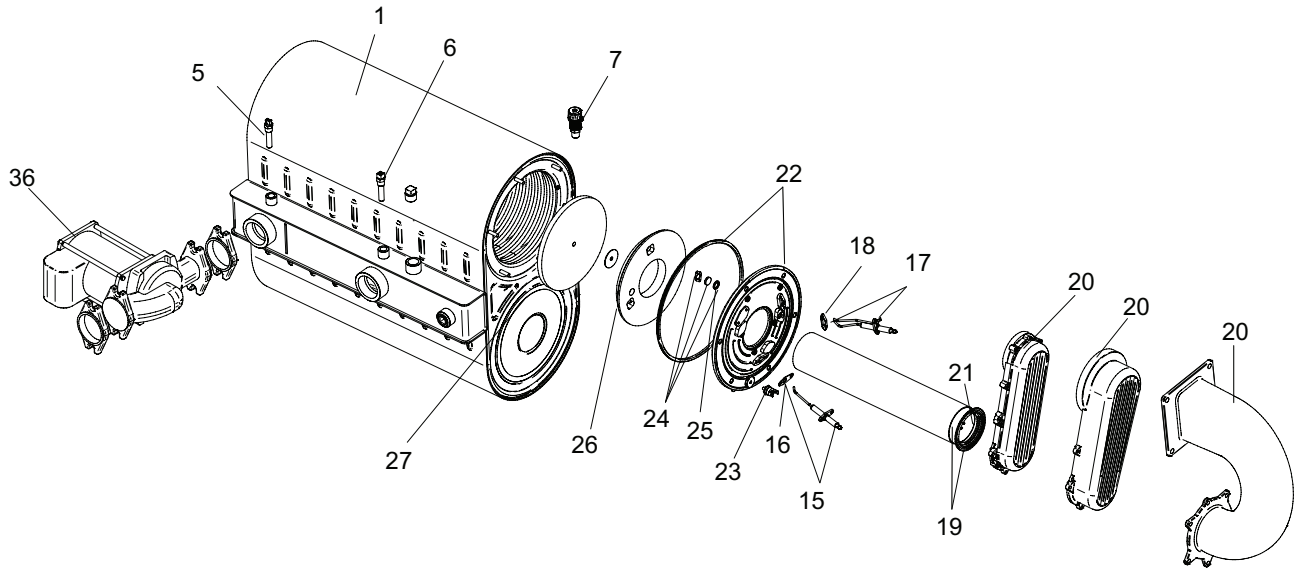


CONTROL PANEL



NOTE: The pump relay will be located on the bottom of the control panel.

HEAT EXCHANGER



IMG00951

ITEM NO.	PART NO.	DESCRIPTION	MODEL
HEAT EXCHANGER ASSEMBLY			
1	100147750	HEAT EXCHANGER	AW 151
1	100147751	HEAT EXCHANGER	AW 200
1	100352797	HEAT EXCHANGER	AW 201
1	100147752	HEAT EXCHANGER	AW 286
CONTROLS			
2	100208473*	CONNECTION BOARD	ALL
3	100167803*	INTEGRATED CONTROL	ALL
3	100167808	HIGH ALTITUDE INTEGRATED CONTROL	ALL
4	100208458*	USER INTERFACE CONTROL	ALL
5	100208549*	SENSOR, INLET	ALL
5	100208563	SENSOR, INLET, SS (OPTIONAL)	ALL
6	100208544*	SENSOR, OUTLET / HIGH LIMIT	ALL
6	100208558	SENSOR, OUTLET / HIGH LIMIT, SS (OPTIONAL)	ALL
7	100167445	AIR VENT VALVE	ALL
8	100145004	FAN ASSEMBLY	AW 151
8	100145005	FAN ASSEMBLY	AW 200/201
8	100145006	FAN ASSEMBLY	AW 286
9	100208764*	GASKET, BLOWER	AW 200/201
9	100208101*	GASKET, BLOWER	AW 151 & 286
10	100208242	SWITCH, ON/OFF	ALL
GAS VALVES			
11	100172003	GAS VALVE ASSEMBLY NAT	AW 151
11	100172004	GAS VALVE ASSEMBLY NAT	AW 200/201
11	100172005	GAS VALVE ASSEMBLY NAT	AW 286
12	100208760	GASKET, GAS VALVE	ALL
13	100163251	AIR INLET KIT	AW 151
13	100163252	AIR INLET KIT	AW 200/201
13	100163253	AIR INLET KIT	AW 286

PLEASE HAVE SERIAL NUMBER AVAILABLE WHEN ORDERING PARTS
*ITEMS DENOTE SUGGESTED INVENTORY PARTS

ITEM NO.	PART NO.	DESCRIPTION	MODEL
GAS VALVES (CONTINUED)			
14	100208324*	GAS VALVE SWITCH	ALL
PILOT & BURNER ASSEMBLIES			
15	100165930*	FLAME SENSOR W/ GASKET	ALL
16	100208091*	GASKET, FLAME SENSOR	ALL
17	100165929*	IGNITOR W/ GASKET	ALL
18	100208086*	GASKET, IGNITOR	ALL
19	100135308	BURNER W/GASKET	AW 151
19	100135309	BURNER W/GASKET	AW 200/201
19	100135310	BURNER W/GASKET	AW 286
20	100173796	GAS/AIR ARM ASSEMBLY W/ GASKET	AW 151
20	100173792	GAS/AIR ARM ASSEMBLY W/ GASKET	AW 200/201 - 286
21	100208085*	GASKET, BURNER	ALL
22	100173794	HEAT EXCHANGER ACCESS DOOR KIT	ALL
23	100292715	SWITCH, HEX DOOR TEMP (BEGINNING SN# F14)	AW 286
MISCELLANEOUS			
24	100163249	SIGHT GLASS	ALL
25	100208762	GASKET, SIGHT GLASS	ALL
26	100208060	INSULATION, BURNER PLATE DOOR	ALL
27	100208061	INSULATION BAFFLE, DIVIDER PLATE	ALL
28	100294581	DISPLAY BEZEL	ALL
29	100321509	LEVELING LEG	ALL
30	100208453	T & P RELIEF 1" X 150#	AW 151 - 201
30	100208443	T & P RELIEF 3/4" X 150#	AW 286
-	100208807*	FUSE, 1.25 AMP	ALL
-	100208231*	FUSE, 3.15 AMP	ALL
-	100208232*	FUSE, 5 AMP	ALL
-	100208660*	FLOW SWITCH	AW 151-201
-	100208661*	FLOW SWITCH	AW 286
31	100163241	CONDENSATE TRAP	AW 151 - 201
31	100163244	CONDENSATE TRAP	AW 286
32	100208509*	RELAY, 1.5 HP PUMP	ALL
-	100208243*	SWITCH, BLOCKED DRAIN	ALL
-	100287156*	FLUE TEMP SENSOR KIT	ALL
-	100189053	KIT, COLLAR, FLUE 3"	AW 151 - 201
-	100189054	KIT, COLLAR, FLUE 4"	AW 286
-	100157660	ALARM BELL	ALL
-	100170644	SENSOR KIT, TANK	ALL
33	100208230	TRANSFORMER	ALL
34	100208377*	SWITCH, PRESSURE	AW 151 & 286
34	100208378*	SWITCH, PRESSURE	AW 200/201
35	100277824	FLUTED KNOB W/ SKIRT	ALL
-	100159008	LP CONVERSION KIT	AW 151
-	100159009	LP CONVERSION KIT	AW 200/201
-	100159010	LP CONVERSION KIT	AW 286
-	100148402*	LIMIT, HEAT EXCHANGER OVER TEMP	ALL
-	100208625	HARNESS, CONNECTION BOARD	ALL
-	100299107	HARNESS, RELAY	ALL
-	100299109	HARNESS, POWER	ALL
-	100208627	HARNESS, GAS VALVE	ALL
-	100208628	HARNESS, UNIT	AW 151 & 200/201
-	100072936	HARNESS, UNIT	AW 286
-	100208636	CABLE, RIBBON	ALL

PLEASE HAVE SERIAL NUMBER AVAILABLE WHEN ORDERING PARTS
*ITEMS DENOTE SUGGESTED INVENTORY PARTS

ITEM NO.	PART NO.	DESCRIPTION	MODEL
MISCELLANEOUS (CONTINUED)			
-	100208621	HARNESS, SPARK ELECTRODE	AW 151 & 200/201
-	100208620	HARNESS, SPARK ELECTRODE	AW 286
-	100208622	HARNESS, FLAME SENSE ELECTRODE	ALL
PUMPS			
36	100166430	PUMP, PRIOR TO DECEMBER 2014	AW 151 - 201
36	100208409	PUMP, STANDARD, BEGINNING DECEMBER 2014	AW 151 - 201
36	100287807	PUMP, STANDARD, BEGINNING OCTOBER 2017	AW 151 - 201
36	100287809	PUMP, UPSIZED, BEGINNING JULY 2017	AW 151 - 201
36	100166428	PUMP, STANDARD	AW 286
36	100166409	PUMP, UPSIZED, BEGINNING JULY 2017	AW 286
JACKET ASSEMBLY			
37	100149684	JACKET, TOP	AW 151
37	100149687	JACKET, TOP	AW 200/201
37	100149688	JACKET, TOP	AW 286
38	100189059	JACKET, FRONT	AW 151 - 200/201
38	100189060	JACKET, FRONT	AW 286
39	100149874	JACKET, LEFT SIDE	AW 151
39	100149875	JACKET, LEFT SIDE	AW 200/201
39	100149876	JACKET, LEFT SIDE	AW 286
40	100150904	JACKET, RIGHT SIDE	AW 151
40	100150905	JACKET, RIGHT SIDE	AW 200/201
40	100150906	JACKET, RIGHT SIDE	AW 286

PLEASE HAVE SERIAL NUMBER AVAILABLE WHEN ORDERING PARTS
*ITEMS DENOTE SUGGESTED INVENTORY PARTS