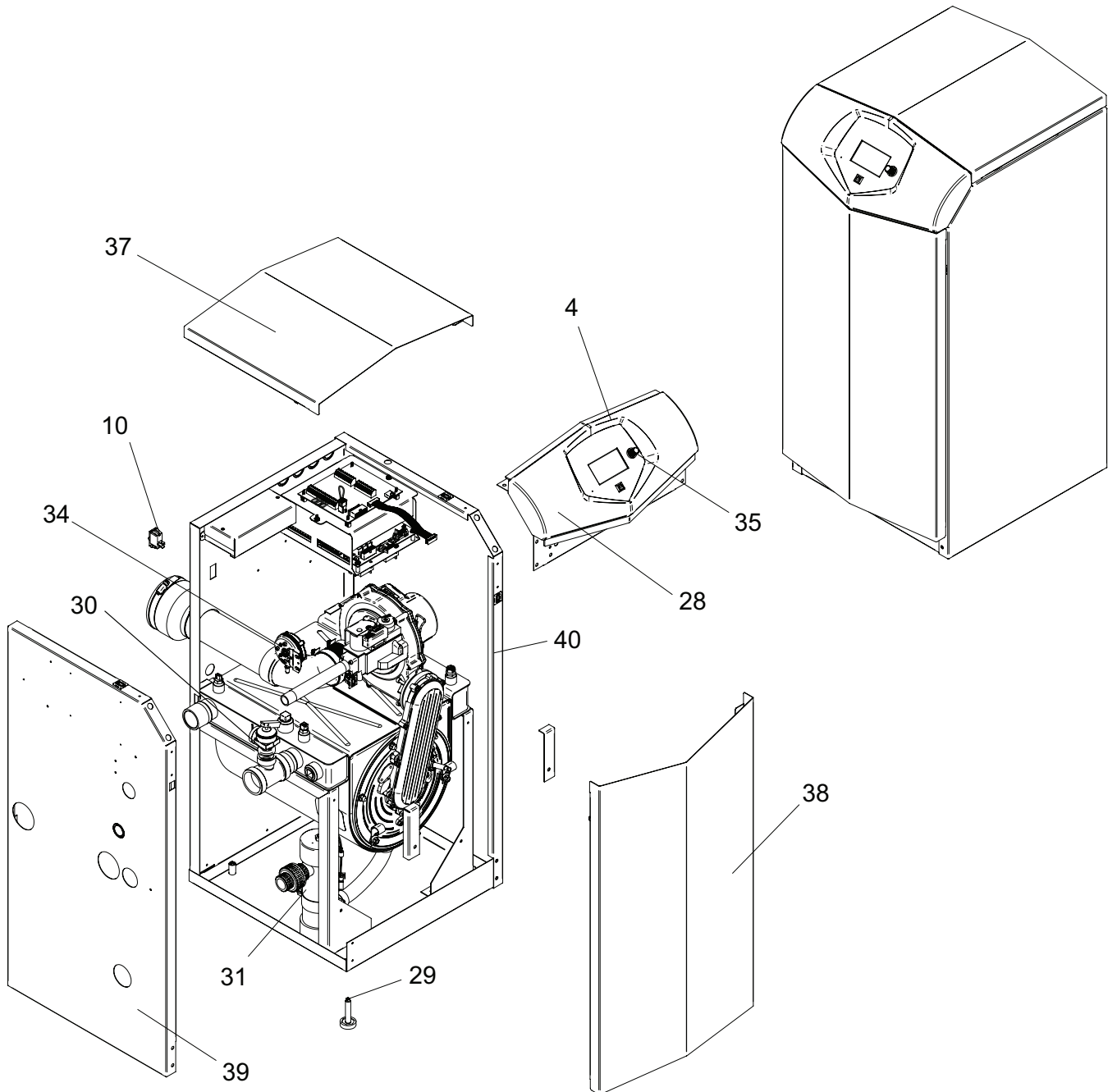




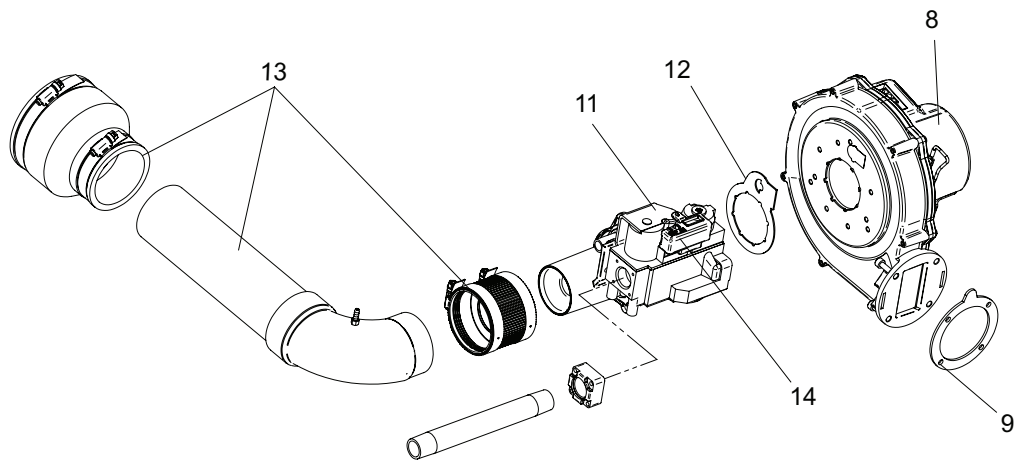
**PARTS & SERVICE DEPARTMENT**  
 Nashville, Tennessee  
 877-554-5544 • Fax: 615-882-2918  
 parts\_team@lochinvar.com  
 www.Lochinvar.com

**Replacement Parts List**

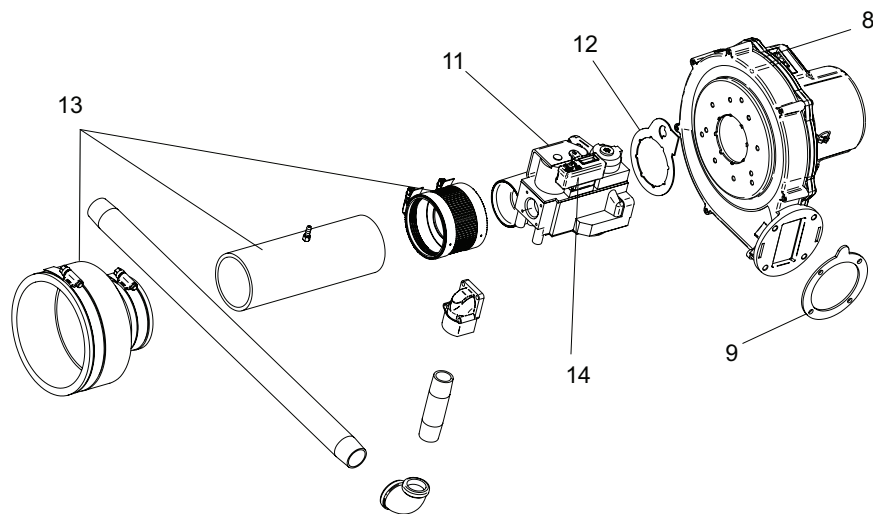
**Armor**  
**Condensing Water Heater**  
**AW 151 thru 286**



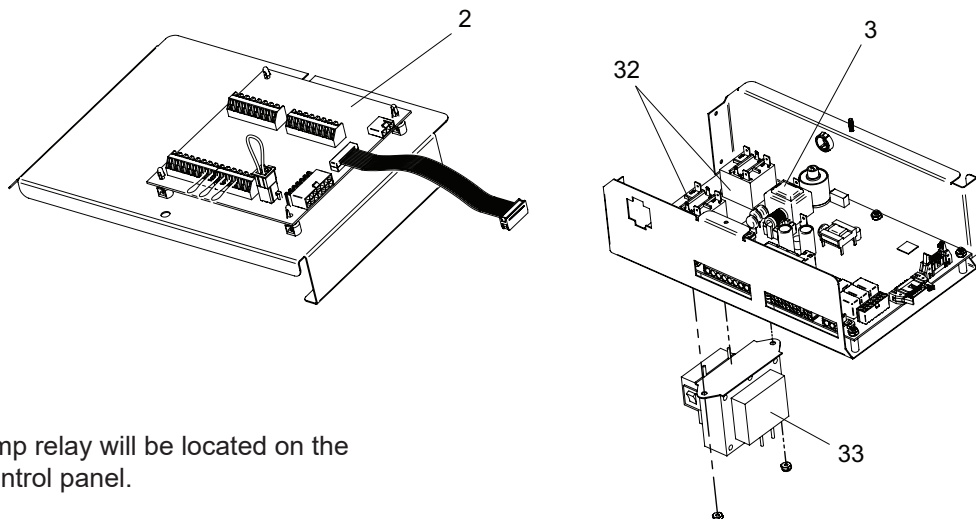
## GAS TRAIN 151-201



## GAS TRAIN 286

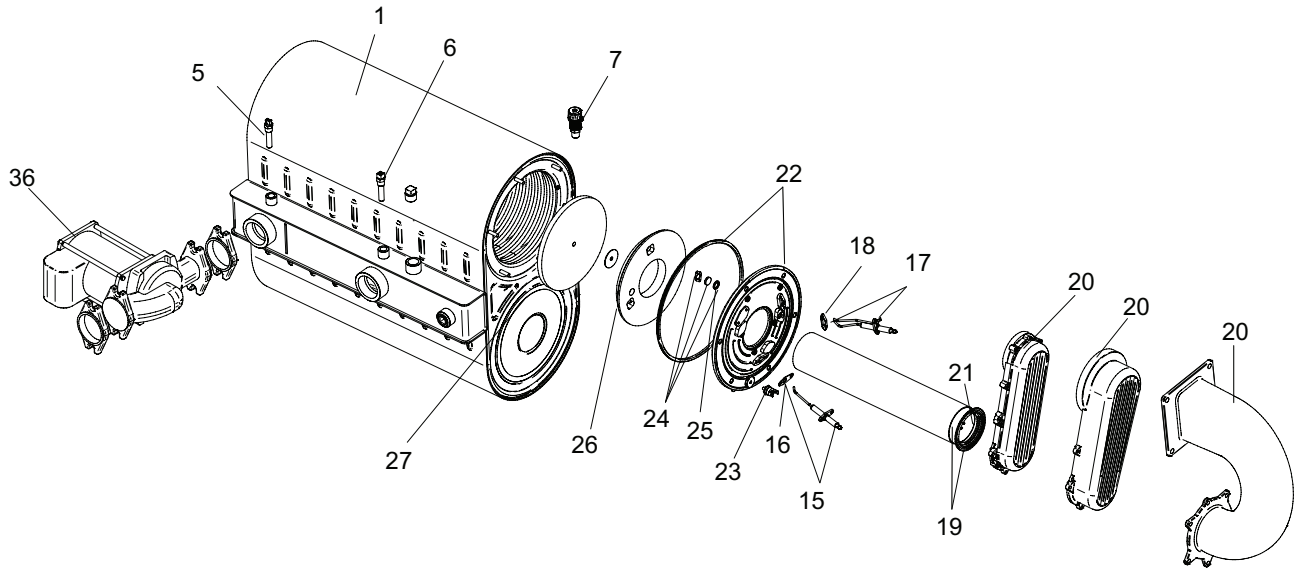


## CONTROL PANEL



**NOTE:** The pump relay will be located on the bottom of the control panel.

# HEAT EXCHANGER



IMG00951

ITEM NO.	PART NO.	DESCRIPTION	MODEL
<b>HEAT EXCHANGER ASSEMBLY</b>			
1	100147750	HEAT EXCHANGER	AW 151
1	100147751	HEAT EXCHANGER	AW 200
1	100352797	HEAT EXCHANGER	AW 201
1	100147752	HEAT EXCHANGER	AW 286
<b>CONTROLS</b>			
2	100208473*	CONNECTION BOARD	ALL
3	100167803*	INTEGRATED CONTROL	ALL
3	100167808	HIGH ALTITUDE INTEGRATED CONTROL	ALL
4	100208458*	USER INTERFACE CONTROL	ALL
5	100208549*	SENSOR, INLET	ALL
5	100208563	SENSOR, INLET, SS (OPTIONAL)	ALL
6	100208544*	SENSOR, OUTLET / HIGH LIMIT	ALL
6	100208558	SENSOR, OUTLET / HIGH LIMIT, SS (OPTIONAL)	ALL
7	100167445	AIR VENT VALVE	ALL
8	100145004	FAN ASSEMBLY	AW 151
8	100145005	FAN ASSEMBLY	AW 200/201
8	100145006	FAN ASSEMBLY	AW 286
9	100208764*	GASKET, BLOWER	AW 200/201
9	100208101*	GASKET, BLOWER	AW 151 & 286
10	100208242	SWITCH, ON/OFF	ALL
<b>GAS VALVES</b>			
11	100172003	GAS VALVE ASSEMBLY NAT	AW 151
11	100172004	GAS VALVE ASSEMBLY NAT	AW 200/201
11	100172005	GAS VALVE ASSEMBLY NAT	AW 286
12	100208760	GASKET, GAS VALVE	ALL
13	100163251	AIR INLET KIT	AW 151
13	100163252	AIR INLET KIT	AW 200/201
13	100163253	AIR INLET KIT	AW 286

PLEASE HAVE SERIAL NUMBER AVAILABLE WHEN ORDERING PARTS

\*ITEMS DENOTE SUGGESTED INVENTORY PARTS

ITEM NO.	PART NO.	DESCRIPTION	MODEL
<b>GAS VALVES (CONTINUED)</b>			
14	<a href="#">100208324*</a>	GAS VALVE SWITCH	ALL
<b>PILOT &amp; BURNER ASSEMBLIES</b>			
15	<a href="#">100165930*</a>	FLAME SENSOR W/ GASKET	ALL
16	<a href="#">100208091*</a>	GASKET, FLAME SENSOR	ALL
17	<a href="#">100165929*</a>	IGNITOR W/ GASKET	ALL
18	<a href="#">100208086*</a>	GASKET, IGNITOR	ALL
19	<a href="#">100135308</a>	BURNER W/GASKET	AW 151
19	<a href="#">100135309</a>	BURNER W/GASKET	AW 200/201
19	<a href="#">100135310</a>	BURNER W/GASKET	AW 286
20	<a href="#">100173796</a>	GAS/AIR ARM ASSEMBLY W/ GASKET	AW 151
20	<a href="#">100173792</a>	GAS/AIR ARM ASSEMBLY W/ GASKET	AW 200/201 - 286
21	<a href="#">100208085*</a>	GASKET, BURNER	ALL
22	<a href="#">100173794</a>	HEAT EXCHANGER ACCESS DOOR KIT	ALL
23	<a href="#">100292715</a>	SWITCH, HEX DOOR TEMP (BEGINNING SN# F14)	AW 286
<b>MISCELLANEOUS</b>			
24	<a href="#">100163249</a>	SIGHT GLASS	ALL
25	<a href="#">100208762</a>	GASKET, SIGHT GLASS	ALL
26	<a href="#">100208060</a>	INSULATION, BURNER PLATE DOOR	ALL
27	<a href="#">100208061</a>	INSULATION BAFFLE, DIVIDER PLATE	ALL
28	<a href="#">100294581</a>	DISPLAY BEZEL	ALL
29	<a href="#">100321509</a>	LEVELING LEG	ALL
30	<a href="#">100208443</a>	T & P RELIEF 3/4" X 150#	ALL
-	<a href="#">100208807*</a>	FUSE, 1.25 AMP	ALL
-	<a href="#">100208231*</a>	FUSE, 3.15 AMP	ALL
-	<a href="#">100208232*</a>	FUSE, 5 AMP	ALL
-	<a href="#">100208660*</a>	FLOW SWITCH	AW 151-201
-	<a href="#">100208661*</a>	FLOW SWITCH	AW 286
31	<a href="#">100163241</a>	CONDENSATE TRAP	AW 151 - 201
31	<a href="#">100163244</a>	CONDENSATE TRAP	AW 286
32	<a href="#">100208509*</a>	RELAY, 1.5 HP PUMP	ALL
-	<a href="#">100208243*</a>	SWITCH, BLOCKED DRAIN	ALL
-	<a href="#">100287156*</a>	FLUE TEMP SENSOR KIT	ALL
-	<a href="#">100189053</a>	KIT, COLLAR, FLUE 3"	AW 151 - 201
-	<a href="#">100189054</a>	KIT, COLLAR, FLUE 4"	AW 286
-	<a href="#">100157660</a>	ALARM BELL	ALL
-	<a href="#">100170644</a>	SENSOR KIT, TANK	ALL
33	<a href="#">100208230</a>	TRANSFORMER	ALL
34	<a href="#">100208377*</a>	SWITCH, PRESSURE	AW 151 & 286
34	<a href="#">100208378*</a>	SWITCH, PRESSURE	AW 200/201
35	<a href="#">100277824</a>	FLUTED KNOB W/ SKIRT	ALL
-	<a href="#">100159008</a>	LP CONVERSION KIT	AW 151
-	<a href="#">100159009</a>	LP CONVERSION KIT	AW 200/201
-	<a href="#">100159010</a>	LP CONVERSION KIT	AW 286
-	<a href="#">100148402*</a>	LIMIT, HEAT EXCHANGER OVER TEMP	ALL
-	<a href="#">100208625</a>	HARNESS, CONNECTION BOARD	ALL
-	<a href="#">100299107</a>	HARNESS, RELAY	ALL
-	<a href="#">100299109</a>	HARNESS, POWER	ALL
-	<a href="#">100208627</a>	HARNESS, GAS VALVE	ALL
-	<a href="#">100208628</a>	HARNESS, UNIT	AW 151 & 200/201
-	<a href="#">100072936</a>	HARNESS, UNIT	AW 286
-	<a href="#">100208636</a>	CABLE, RIBBON	ALL
-	<a href="#">100208621</a>	HARNESS, SPARK ELECTRODE	AW 151 & 200/201

PLEASE HAVE SERIAL NUMBER AVAILABLE WHEN ORDERING PARTS  
\*ITEMS DENOTE SUGGESTED INVENTORY PARTS

ITEM NO.	PART NO.	DESCRIPTION	MODEL
<b>MISCELLANEOUS (CONTINUED)</b>			
-	100208620	HARNESS, SPARK ELECTRODE	AW 286
-	100208622	HARNESS, FLAME SENSE ELECTRODE	ALL
<b>PUMPS</b>			
36	100166430	PUMP, PRIOR TO DECEMBER 2014	AW 151 - 201
36	100208409	PUMP, STANDARD, BEGINNING DECEMBER 2014	AW 151 - 201
36	100287807	PUMP, STANDARD, BEGINNING OCTOBER 2017	AW 151 - 201
36	100287809	PUMP, UPSIZED, BEGINNING JULY 2017	AW 151 - 201
36	100166428	PUMP, STANDARD	AW 286
36	100166409	PUMP, UPSIZED, BEGINNING JULY 2017	AW 286
<b>JACKET ASSEMBLY</b>			
37	100149684	JACKET, TOP	AW 151
37	100149687	JACKET, TOP	AW 200/201
37	100149688	JACKET, TOP	AW 286
38	100189059	JACKET, FRONT	AW 151 - 200/201
38	100189060	JACKET, FRONT	AW 286
39	100149874	JACKET, LEFT SIDE	AW 151
39	100149875	JACKET, LEFT SIDE	AW 200/201
39	100149876	JACKET, LEFT SIDE	AW 286
40	100150904	JACKET, RIGHT SIDE	AW 151
40	100150905	JACKET, RIGHT SIDE	AW 200/201
40	100150906	JACKET, RIGHT SIDE	AW 286
<p><b>PLEASE HAVE SERIAL NUMBER AVAILABLE WHEN ORDERING PARTS</b></p> <p><b>*ITEMS DENOTE SUGGESTED INVENTORY PARTS</b></p>			