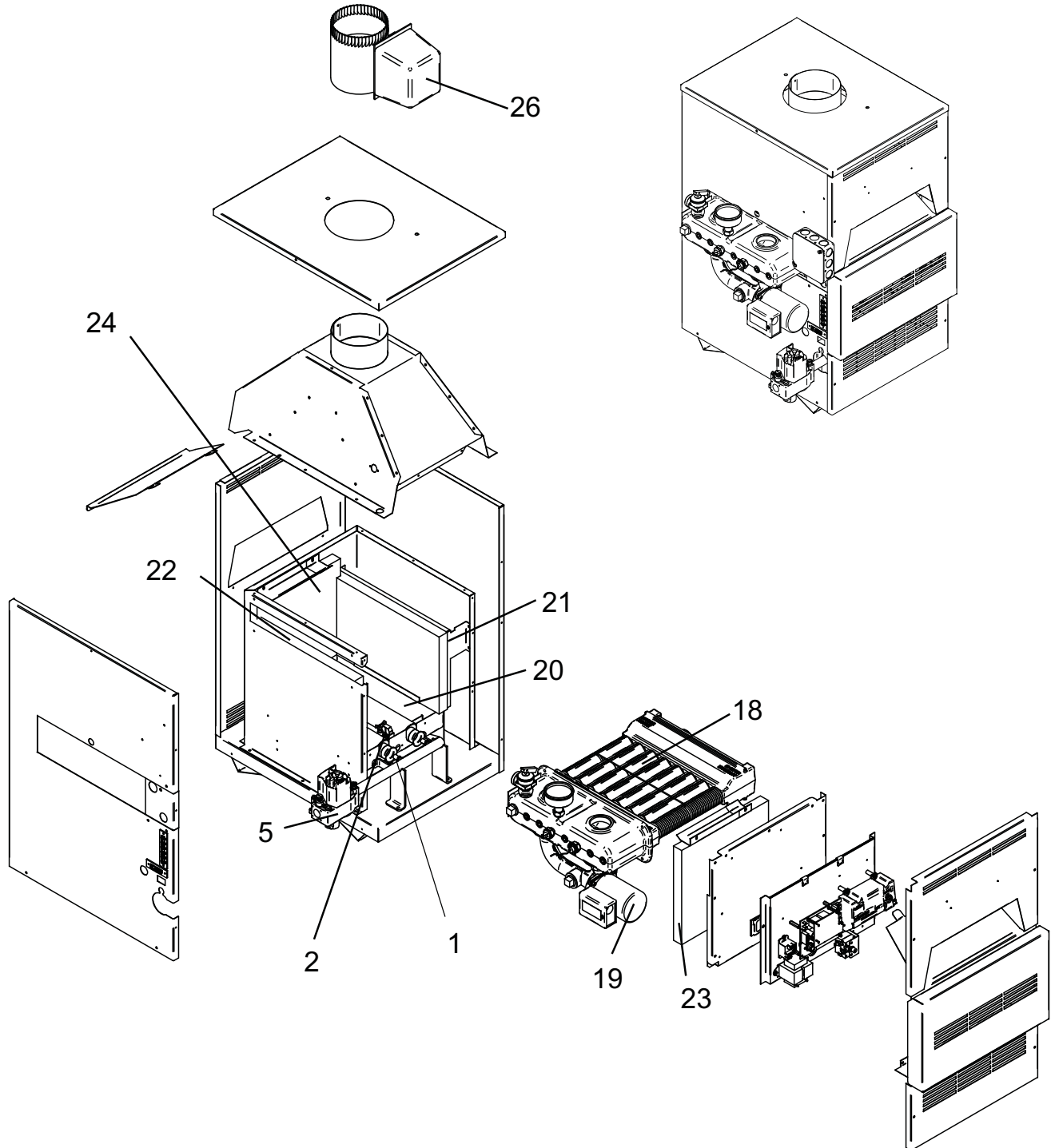




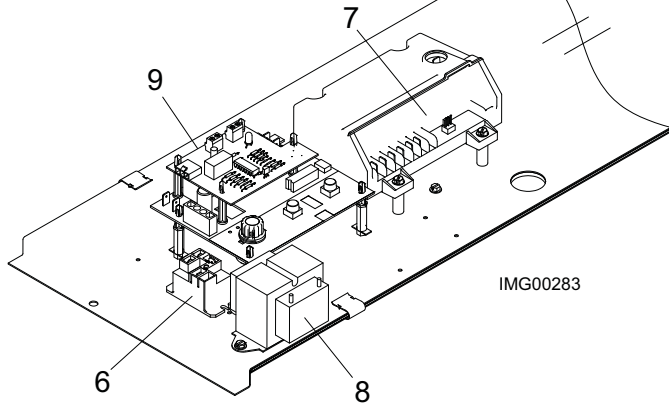
Replacement Parts List

PARTS & SERVICE DEPARTMENT
Nashville, Tennessee
877-554-5544 • Fax: 615-547-1000
parts_team@lochinvar.com
www.Lochinvar.com

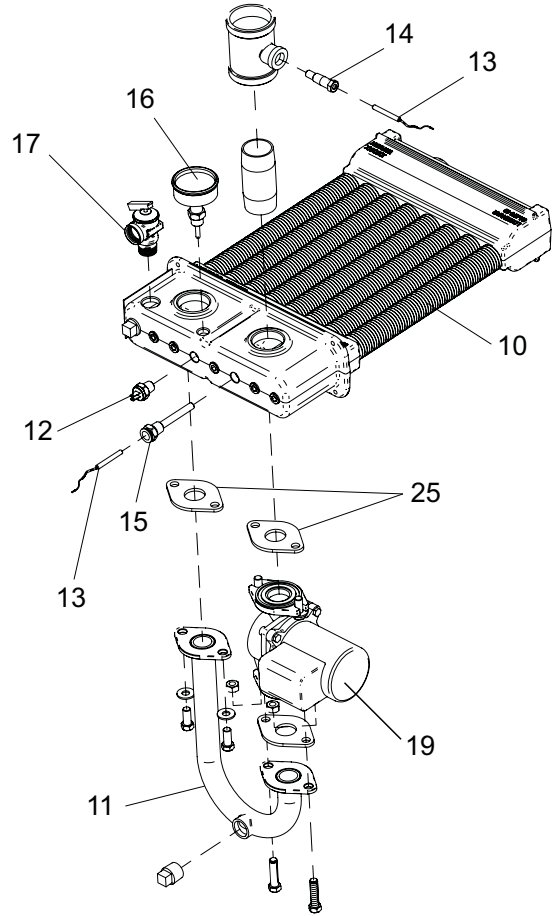
Solution Boilers CB 45-260



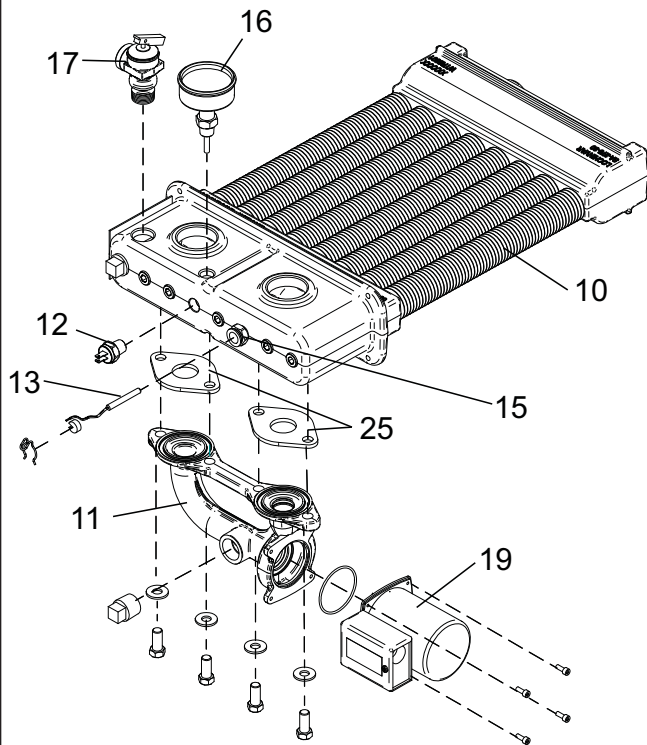
CONTROL PANEL



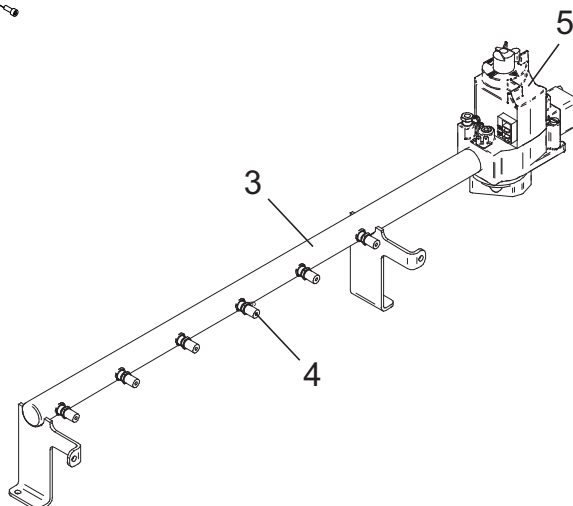
HEAT EXCHANGER ASSEMBLY PRIOR TO SERIAL #E10H00226216



HEAT EXCHANGER ASSEMBLY BEGINNING WITH SERIAL #E10H00226216



GAS TRAIN



ITEM NO.	PART NO.	DESCRIPTION	MODEL NO.
PILOT & BURNER ASSEMBLIES			
1	100233340	MAIN BURNER	ALL
2	100278133	PILOT, INTERMITTENT, NAT. M9	CBN045
2	100165936	PILOT, INTERMITTENT, LP. M9	CBL045
2	100208365	PILOT, INTERMITTENT, NAT. M9	CBN075-260
2	100208373	PILOT, INTERMITTENT, LP. M9	CBL075-260
3	100290485	MANIFOLD, BURNER	CB 045
3	100290486	MANIFOLD, BURNER	CB 075/090
3	100290487	MANIFOLD, BURNER	CB 135
3	100290488	MANIFOLD, BURNER	CB 180
3	100290489	MANIFOLD, BURNER	CB 215
3	100290491	MANIFOLD, BURNER	CB 260
4	100208350	ORIFICE, MAIN BNR. NAT.3.2MM	CB 045-180
4	100208347	ORIFICE, MAIN BNR. LP 2.0MM	CB 045-180
4	100288412	ORIFICE, MAIN BNR. NAT. 3.1MM	CB 215-260
4	100208341	ORIFICE, MAIN BNR. LP. 1.9MM	CB 215-260
GAS VALVES			
5	100278094	GAS VALVE, LP, M9	CB 045-135
5	100277952	GAS VALVE, LP, M9	CB 180-260
5	100208613	GAS VALVE, NATURAL, M9	CB 045-135
5	100208614	GAS VALVE, NATURAL, M9	CB 180-260
CONTROLS			
6	100208495*	RELAY, PANEL MOUNT	ALL
7	100208460	IGNITION MODULE	ALL
8	100208249	TRANSFORMER, 27.5V, 50VA	ALL
9	100208835*	THERMOSTAT, TWO STAGE M9, PRIOR TO SERIAL I12	ALL
9	100170643*	THERMOSTAT, TWO STAGE M9, BEGINNING SERIAL I12	ALL
-	100278104*	ROLLOUT SWITCH 200 DEG.	CB 045
-	100290352*	ROLLOUT SWITCH 220 DEG.	CB 075
-	100208181*	ROLLOUT SWITCH 280 DEG	CB 215-260
-	100208172*	ROLLOUT SWITCH 250 DEG.	CB 090-180
-	100278104*	SPILL SWITCH 200 DEG.	CB 260
-	100208172*	SPILL SWITCH 250 DEG.	CB 090/135/215
-	100290352*	SPILL SWITCH 220 DEG	CB 045/075
-	100208181*	SPILL SWITCH 280 DEG	CB 180
HEAT EXCHANGERS			
10	100147669	HEAT EXCHANGER H	CB 045
10	100147670	HEAT EXCHANGER H	CB 075/090
10	100147671	HEAT EXCHANGER H	CB 135
10	100147672	HEAT EXCHANGER H	CB 180
10	100147673	HEAT EXCHANGER H	CB 215
10	100147674	HEAT EXCHANGER H	CB 260
11	100289371	BYPASS PIPE ASSEMBLY, PRIOR TO SERIAL E10H00226216	ALL
11	100288528	BYPASS PIPE ASSEMBLY, BEGINNING SERIAL E10H00226216	ALL
12	100208182*	HIGH LIMIT	ALL
13	100208552*	SENSOR, SYSTEM / INLET	ALL
14	100208569*	BULB WELL, 1/4", PRIOR TO SERIAL B08	ALL
15	100233695*	HIGH LIMIT THERMOSTAT BULB WELL, 3/8 NPT, BEGINNING SERIAL B08	ALL
16	100208152*	GAUGE TRIOMETER, 75 PSI	ALL
17	100208449	RELIEF VALVE, 3/4", 30 PSI	ALL
17	100208442	PRESSURE RELIEF VALVE, 3/4", 50 PSI	ALL
18	100290394	V-BAFFLE	CB 045
18	100290395	V-BAFFLE	CB 075/090
18	100290396	V-BAFFLE	CB 135
18	100290397	V-BAFFLE	CB 180
18	100290398	V-BAFFLE	CB 215
18	100290399	V-BAFFLE	CB 260
PUMPS			
19	100133598	PUMP, BOILER BYPASS, 1", 1/25HP, CAST, PRIOR TO E10H00226216	ALL
19	100208413	PUMP, PERFORMANCE LOOP, 1/25HP, CAST, BEGINNING E10H00226216	ALL

PLEASE HAVE MODEL AND SERIAL NUMBER AVAILABLE WHEN ORDERING PARTS
*ITEMS DENOTE SUGGESTED INVENTORY PARTS

ITEM NO.	PART NO.	DESCRIPTION	MODEL NO.
LOCH-HEAT® TILE			
20	100145796	INSULATION, BOTTOM	CB 045
20	100145797	INSULATION, BOTTOM	CB 075/090
20	100145798	INSULATION, BOTTOM	CB 135
20	100145799	INSULATION, BOTTOM	CB 180
20	100145800	INSULATION, BOTTOM	CB 215
20	100145801	INSULATION, BOTTOM	CB 260
21	100145806	LOCH-HEAT TILE, SIDE RIGHT	ALL
22	100145775	LOCH-HEAT TILE, SIDE LEFT	ALL
23	100145776	LOCH-HEAT TILE, FRONT	CB 045
23	100145778	LOCH-HEAT TILE, FRONT	CB 075/090
23	100145780	LOCH-HEAT TILE, FRONT	CB 135
23	100145782	LOCH-HEAT TILE, FRONT	CB 180
23	100145784	LOCH-HEAT TILE, FRONT	CB 215
23	100145786	LOCH-HEAT TILE, FRONT	CB 260
24	100145777	LOCH-HEAT TILE, BACK	CB 045
24	100145779	LOCH-HEAT TILE, BACK	CB 075/090
24	100145781	LOCH-HEAT TILE, BACK	CB 135
24	100145783	LOCH-HEAT TILE, BACK	CB 180
24	100145785	LOCH-HEAT TILE, BACK	CB 215
24	100145787	LOCH-HEAT TILE, BACK	CB 260
MISCELLANEOUS			
25	100208111	GASKET, PUMP FLANGE	ALL
-	100208834*	OUTDOOR AIR SENSOR, BEGINNING SERIAL I12	ALL
FLUE DAMPERS			
26	100290298	FLUE DAMPER - 4"	CB 045
26	100233421	FLUE DAMPER - 5"	CB 075/090
26	100278112	FLUE DAMPER - 6"	CB 135
26	100278106	FLUE DAMPER - 7"	CB 180/215
26	100290325	FLUE DAMPER - 8"	CB 260
OPTIONS (NOT PICTURED)			
-	100208653*	FLOW SWITCH W/ PADDLE, INDOOR	ALL
-	100157702	OUTDOOR AIR RESET, PRIOR TO SERIAL I12	ALL
-	100157703	ADJUSTABLE HIGH LIMIT, MANUAL RESET	ALL
-	100208651*	LOW WATER CUT-OFF W/ AUTO RESET	ALL
-	100208652*	LOW WATER CUT-OFF W/ MANUAL RESET	ALL
-	100157706*	PUMP DELAY	ALL
-	100158999	NAT - LP CONVERSION KIT, M9	CB 045
-	100158977	NAT - LP CONVERSION KIT, M9	CB 075-135
-	100158978	NAT - LP CONVERSION KIT, M9	CB 180
-	100159002	NAT - LP CONVERSION KIT, M9	CB 215/260
PLEASE HAVE MODEL AND SERIAL NUMBER AVAILABLE WHEN ORDERING PARTS			
*ITEMS DENOTE SUGGESTED INVENTORY PARTS			