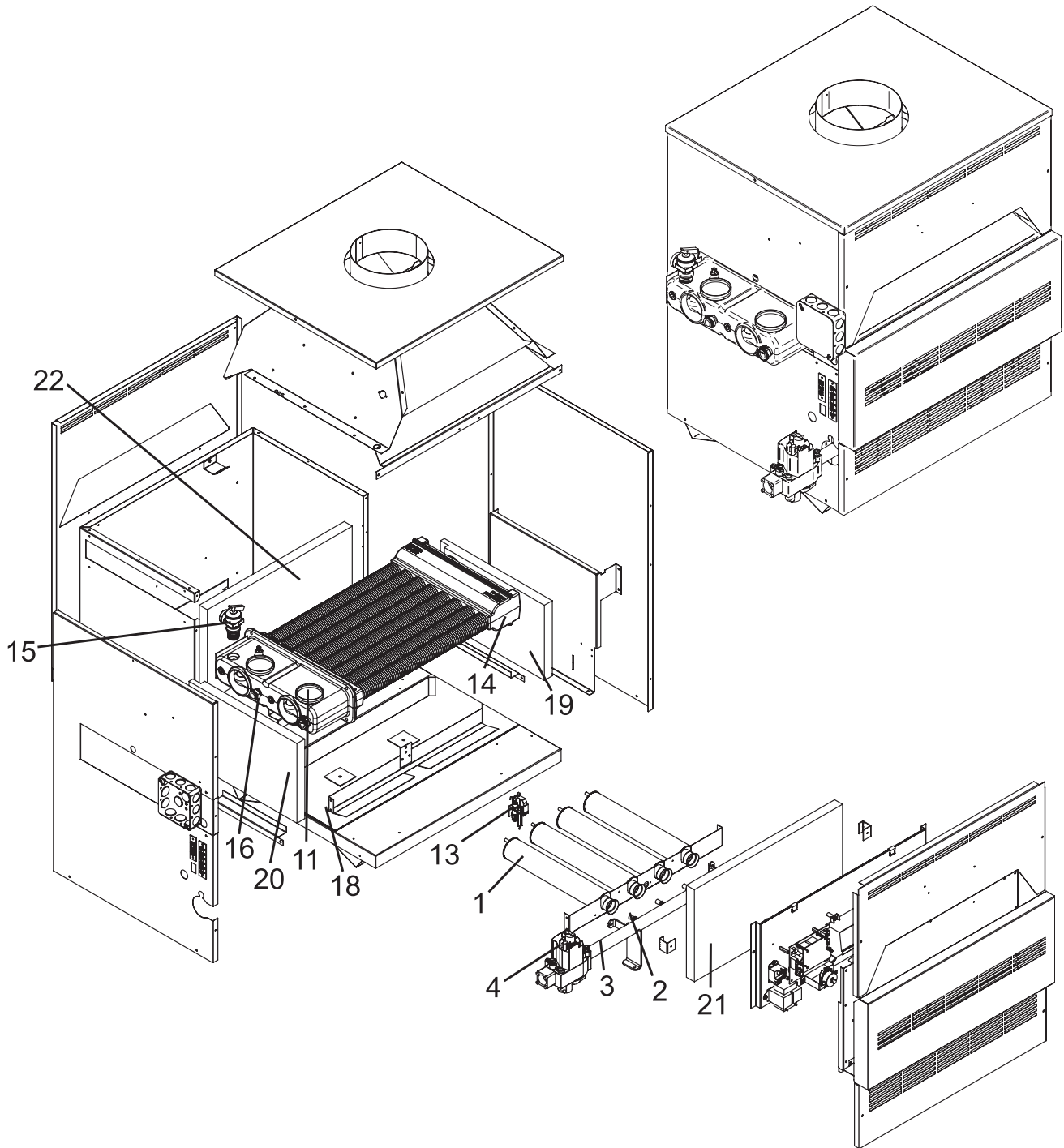




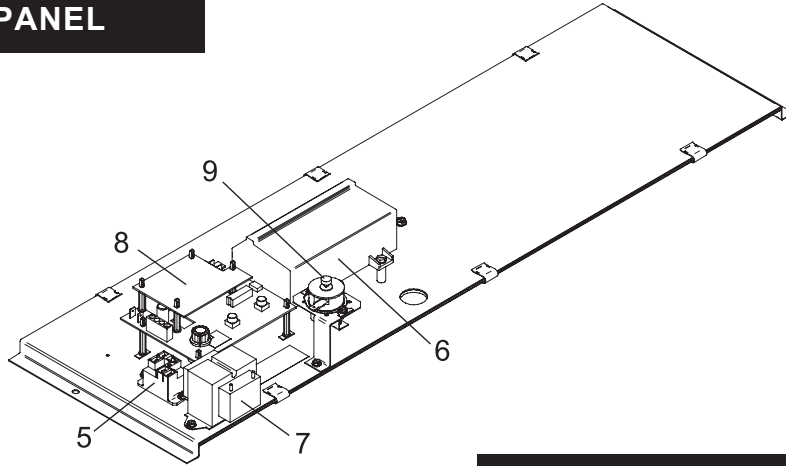
PARTS & SERVICE DEPARTMENT
Nashville, Tennessee
877-554-5544 • Fax: 615-882-2918
parts_team@lochinvar.com
www.Lochinvar.com

Replacement Parts List

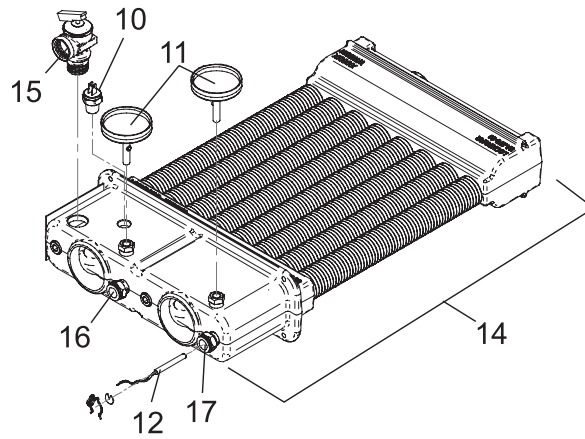
**Copper-Fin®
Boilers - CB 315-500
Water Heaters - CW 90-500**



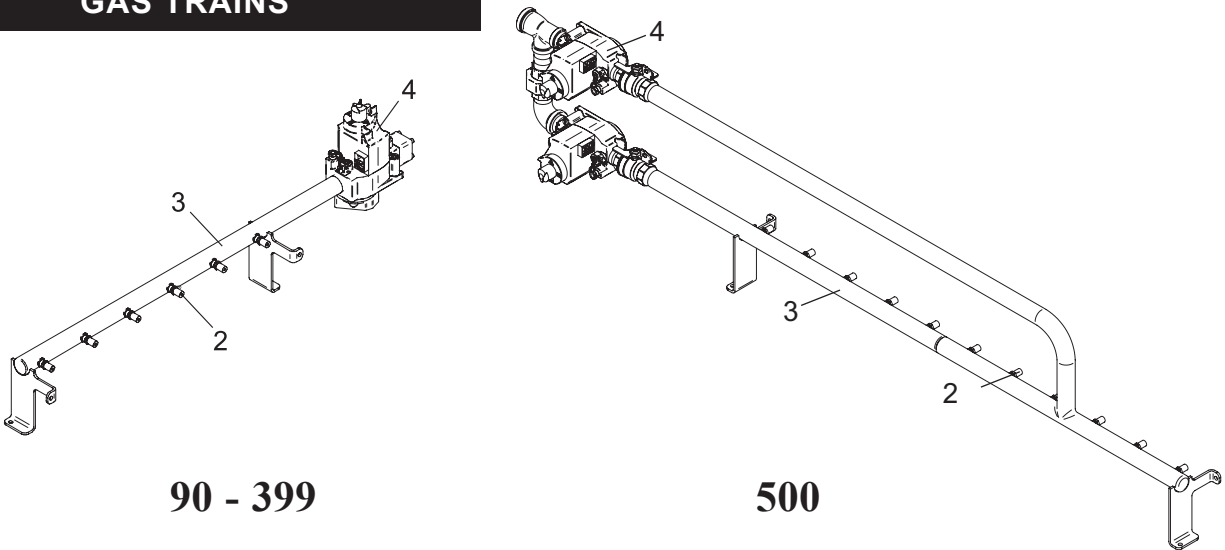
CONTROL PANEL



HEAT EXCHANGER ASSEMBLY



GAS TRAINS



90 - 399

500

ITEM NO. PART NO. DESCRIPTION MODEL NO.

BURNERS

ITEM NO.	PART NO.	DESCRIPTION	BURNERS			
			Model	Quantity	Model	Quantity
1	100233340	MAIN BURNER	90	2 ea	270	6 ea
			135	3 ea	315	7 ea
			180	4 ea	360	8 ea
			199/201	5 ea	399	9 ea
			225	5 ea	500	11 ea

PLEASE HAVE MODEL AND SERIAL NUMBER WHEN ORDERING PARTS

ITEM NO.	PART NO.	DESCRIPTION	MODEL NO.
GAS TRAIN ASSEMBLIES			
2	100208350*	ORIFICE, NATURAL	ALL
2	100208347*	ORIFICE, LP	ALL
3	100290486	GAS MANIFOLD	CW 090
3	100290487	GAS MANIFOLD	CW 135
3	100290488	GAS MANIFOLD	CW 180
3	100290489	GAS MANIFOLD	CW 199/201 & 225
3	100290491	GAS MANIFOLD	CW 270
3	100290492	GAS MANIFOLD	CB/CW 315
3	100290493	GAS MANIFOLD	CB/CW 360
3	100290410	GAS MANIFOLD	CB/CW 399
3	100290409	GAS MANIFOLD	CB/CW 500
4	100288534	GAS VALVE, NATURAL - F1	CWN90-135
4	100208611	GAS VALVE, NATURAL - F1	CWN199/201
4	100208610	GAS VALVE, NATURAL - F1	CWN180, 225, 270
4	100208614	GAS VALVE, NATURAL - M9	CBN315-399
4	100277814	GAS VALVE, NATURAL - F9	CWN90-135
4	100288568	GAS VALVE, NATURAL - F9	CWN199/201
4	100208612	GAS VALVE, NATURAL - F9	CWN180, 225-500 & CBN500-M9
4	100288567	GAS VALVE, LP - F1	CWL90-135
4	100209813	GAS VALVE, LP - F1	CWL180, 225, 270
4	100288570	GAS VALVE, LP - F1	CWL199/201
4	100277952	GAS VALVE, LP - M9	CBL315-399
4	100278055	GAS VALVE, LP - F9	CWL90-135
4	100288569	GAS VALVE, LP - F9	CWL199/201
4	100288535	GAS VALVE, LP - F9	CWL180, 225-500 & CBL500-M9
CONTROLS & GAUGES			
5	100208491*	RELAY, PUMP	ALL CW
5	100208495*	RELAY, PANEL MOUNT	ALL CB
6	100208460*	IGNITION MODULE	CW 90-270 & CB/CW 315-399
6	100167817*	IGNITION MODULE	CB/CW 500
7	100208249	TRANSFORMER, 27.5V, 50VA	ALL
8	100208835*	THERMOSTAT BOARD, 2-STAGE	ALL CB
8	100208555*	THERMOSTAT BOARD	ALL CW
9	100157743*	HIGH LIMIT, MANUAL RESET, 230 DEGREES	ALL CW
10	100208182*	HIGH LIMIT	CB 315-500
10	100208175*	HIGH LIMIT SWITCH, 230 DEGREES	CW 90-500
11	100208152	TRIOMETER GAUGE, 75# PSI	ALL CB
11	100147003	THERMOMETER, 50-266 DEGREES	ALL CW
12	100208552*	SENSOR, SYSTEM / INLET	ALL
13	100208366*	PILOT, STANDING, NATURAL, F1	CWN090-270
13	100165935*	PILOT, STANDING, LP, F1	CWL090-270
13	100208365*	PILOT, INTERMITTENT, NATURAL, F9 / M9	CWN 90-500 & CBN 315-500
13	100208373*	PILOT, INTERMITTENT, LP, F9 / M9	CWL 90-500 & CBL 315-500
-	100208370*	THERMOCOUPLE, 24", F1	CW 090 & 135
-	100208371*	THERMOCOUPLE, 36", F1	CW 180-270
-	100208172*	ROLLOUT SWITCH, 250 DEGREES	CW 90-180 & CB/CW 315-360
-	100208181*	ROLLOUT SWITCH, 280 DEGREES	CW 199-270 & CB/CW 399-500
-	100208172*	SPILL SWITCH, 250 DEGREES	CW 90,135,199-270 & CB/CW 399-500
-	100208181*	SPILL SWITCH, 280 DEGREES	CW 180 & CB/CW 315-360
HEAT EXCHANGERS			
14	100147675	HEAT EXCHANGER, ASME, H STAMP, 315 MBH	CB 315
14	100147676	HEAT EXCHANGER, ASME, H STAMP, 360 MBH	CB 360
14	100147677	HEAT EXCHANGER, ASME, H STAMP, 399 MBH	CB 399
14	100147678	HEAT EXCHANGER, ASME, H STAMP, 500 MBH	CB 500
14	100147679	HEAT EXCHANGER, ASME, HLW STAMP, 90 MBH	CW 090
14	100147680	HEAT EXCHANGER, ASME, HLW STAMP, 135 MBH	CW 135
14	100147681	HEAT EXCHANGER, ASME, HLW STAMP, 180 MBH	CW 180
14	100147682	HEAT EXCHANGER, ASME, HLW STAMP, 225 MBH	CW 199
14	100147682	HEAT EXCHANGER, ASME, HLW STAMP, 225 MBH	CW 201
14	100147682	HEAT EXCHANGER, ASME, HLW STAMP, 225 MBH	CW 225
14	100147683	HEAT EXCHANGER, ASME, HLW STAMP, 270 MBH	CW 270
14	100147684	HEAT EXCHANGER, ASME, HLW STAMP, 315 MBH	CW 315
14	100147685	HEAT EXCHANGER, ASME, HLW STAMP, 360 MBH	CW 360
14	100147686	HEAT EXCHANGER, ASME, HLW STAMP, 399 MBH	CW 399
14	100147687	HEAT EXCHANGER, ASME, HLW STAMP, 500 MBH	CW 500
-	100290395	V-BAFFLE	CW 90
-	100290396	V-BAFFLE	CW 135
-	100290397	V-BAFFLE	CW 180
-	100290398	V-BAFFLE	CW 199 - 225
-	100290399	V-BAFFLE	CW 270
-	100290402	V-BAFFLE	CB/CW 315
-	100290403	V-BAFFLE	CB/CW 360

PLEASE HAVE MODEL AND SERIAL NUMBER WHEN ORDERING PARTS
*ITEMS DENOTE SUGGESTED INVENTORY PARTS

ITEM NO.	PART NO.	DESCRIPTION	MODEL NO.
HEAT EXCHANGERS (CONTINUED)			
-	100290405	V-BAFFLE	CB/CW 399
-	100290406	V-BAFFLE	CB/CW 500
15	100208443	T&P RELIEF VALVE, 3/4", 150 PSI	CW 090-360
15	100208449	RELIEF VALVE, 3/4", 30 PSI	CB 315-360
15	100208447	RELIEF VALVE, 3/4", 30 PSI	CB 500
15	100208446	T&P RELIEF VALVE, 3/4", 150 PSI	CW 399-500
15	100208442	PRESSURE RELIEF VALVE, 3/4", 50 PSI	CB 315-360
15	100208454	RELIEF VALVE, 3/4", 50 PSI	CB 399-500
16	100233613*	HIGH LIMIT THERMOSTAT BULB WELL, 3/8 NPT	ALL CB
16	100233695*	HIGH LIMIT THERMOSTAT BULB WELL, 3/8 NPT	ALL CW
17	100233695*	HIGH LIMIT THERMOSTAT BULB WELL, 3/8 NPT	ALL
LOCH-HEAT® TILE			
18	100145797	INSULATION, BOTTOM	90
18	100145798	INSULATION, BOTTOM	135
18	100145799	INSULATION, BOTTOM	180
18	100145800	INSULATION, BOTTOM	199-225
18	100145801	INSULATION, BOTTOM	270
18	100145802	INSULATION, BOTTOM	315
18	100145803	INSULATION, BOTTOM	360
18	100145804	INSULATION, BOTTOM	399
18	100145805	INSULATION, BOTTOM	500
19	100145806	LOCH-HEAT TILE, SIDE RIGHT	ALL
20	100145775	LOCH-HEAT TILE, SIDE LEFT	ALL
21	100145778	LOCH-HEAT TILE, FRONT	90
21	100145780	LOCH-HEAT TILE, FRONT	135
21	100145782	LOCH-HEAT TILE, FRONT	180
21	100145784	LOCH-HEAT TILE, FRONT	199-225
21	100145786	LOCH-HEAT TILE, FRONT	270
21	100145788	LOCH-HEAT TILE, FRONT	315
21	100145790	LOCH-HEAT TILE, FRONT	360
21	100145792	LOCH-HEAT TILE, FRONT	399
21	100145794	LOCH-HEAT TILE, FRONT	500
22	100145779	LOCH-HEAT TILE, BACK	90
22	100145781	LOCH-HEAT TILE, BACK	135
22	100145783	LOCH-HEAT TILE, BACK	180
22	100145785	LOCH-HEAT TILE, BACK	199-225
22	100145787	LOCH-HEAT TILE, BACK	270
22	100145789	LOCH-HEAT TILE, BACK	315
22	100145791	LOCH-HEAT TILE, BACK	360
22	100145793	LOCH-HEAT TILE, BACK	399
22	100145795	LOCH-HEAT TILE, BACK	500
PUMPS			
-	100133613*	PUMP ASSEMBLY, STANDARD, 1/6 HP, 1-1/2" FLG, BRZ	ALL CW
-	100166428	PUMP ASSEMBLY, UPSIZED, 1/6 HP, SS	ALL CW
OPTIONS (NOT PICTURED)			
-	100233421	FLUE DAMPER - 5"	90
-	100278112	FLUE DAMPER - 6"	135
-	100278106	FLUE DAMPER - 7"	180, 199, 201, 225
-	100290325	FLUE DAMPER - 8"	270 & 315
-	100290326	FLUE DAMPER - 10"	360-500
-	100208653*	FLOW SWITCH W/ PADDLE, INDOOR	ALL
-	100157702*	OUTDOOR AIR RESET	ALL CB
-	100157703*	ADJUSTABLE HIGH LIMIT, MANUAL RESET	ALL
-	100157704*	CONTACTS ON ANY FAILURE	CB/CW 315-500
-	100157705*	RELAY, LOUVER	CB/CW 315-500
-	100208651*	LOW WATER CUT-OFF W/ AUTO RESET	CB 315-500 & ALL CW
-	100208652*	LOW WATER CUT-OFF W/ MANUAL RESET	CB 315-500 & ALL CW
-	100157706*	PUMP DELAY	ALL CB
-	100158972	NAT - LP CONVERSION KIT, F1	CW 090-135
-	100158993	NAT - LP CONVERSION KIT, F1	CW 199/201
-	100158973	NAT - LP CONVERSION KIT, F1	CW 180, 225, 270
-	100158974	NAT - LP CONVERSION KIT, F9	CW 090-135
-	100158996	NAT - LP CONVERSION KIT, F9	CW 199/201
-	100158975	NAT - LP CONVERSION KIT, F9	CW 180-399
-	100158978	NAT - LP CONVERSION KIT, M9	CB 315-399
-	100158976	NAT - LP CONVERSION KIT, M9/F9	CB/CW 500

PLEASE HAVE MODEL AND SERIAL NUMBER WHEN ORDERING PARTS
*ITEMS DENOTE SUGGESTED INVENTORY PARTS