



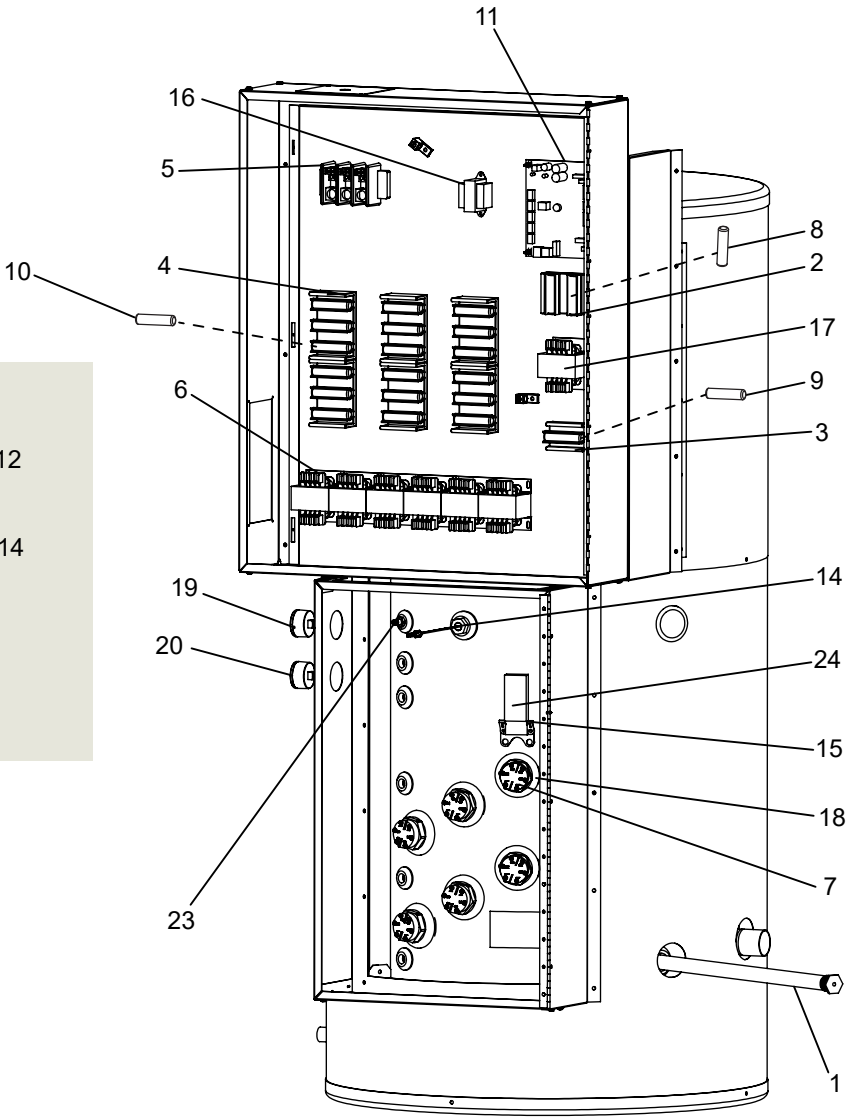
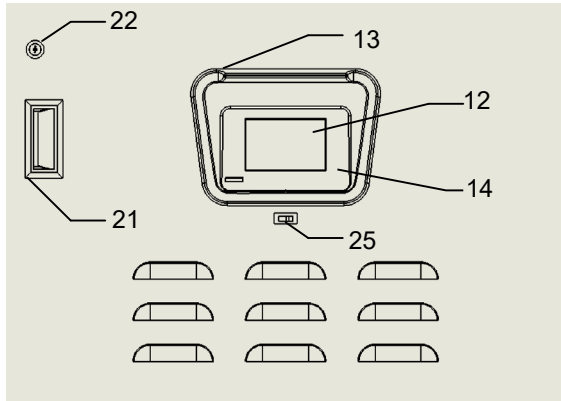
PARTS & SERVICE DEPARTMENT
 Nashville, Tennessee
 877-554-5544 • Fax: 615-882-2918
 parts_team@lochinvar.com
 www.Lochinvar.com

Replacement Parts List

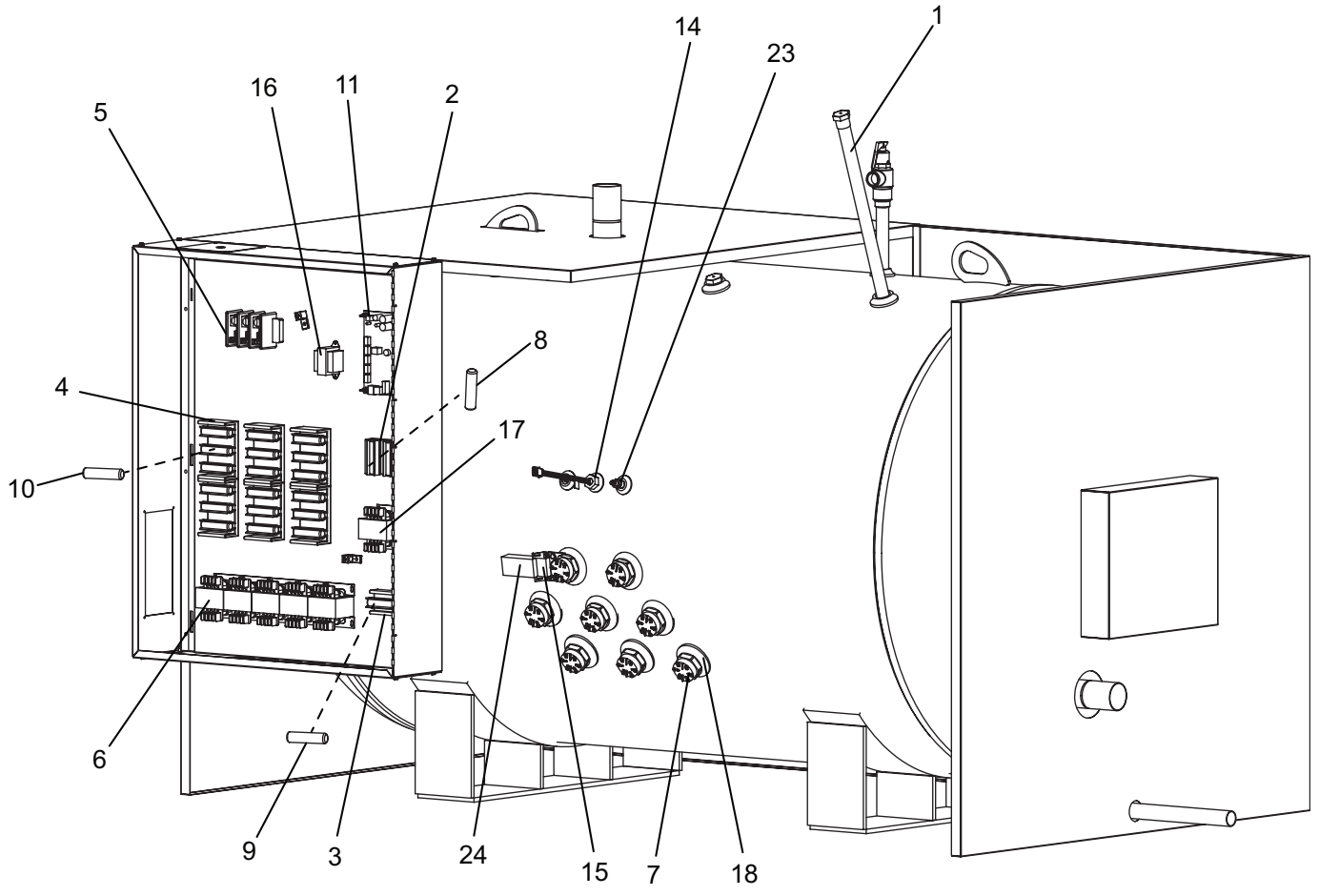
**Commercial Electric
 Custom Hi-Power®
 CHV and CHH 0150 - 1000**

CHV MODELS

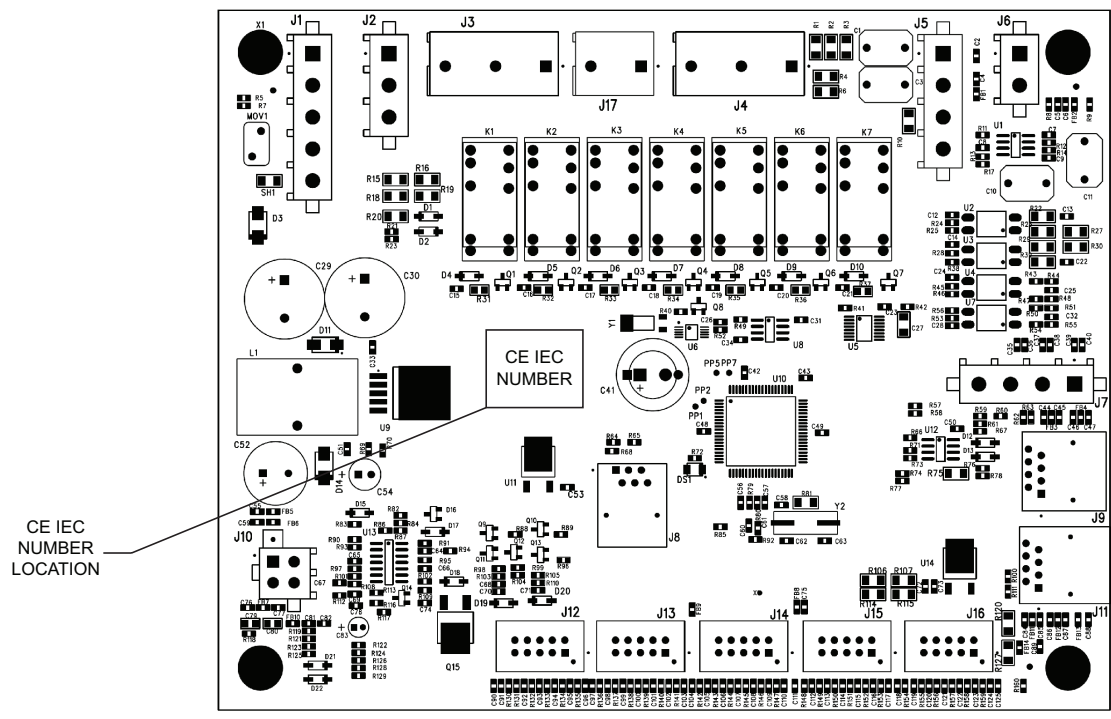
PANEL DOOR VIEW



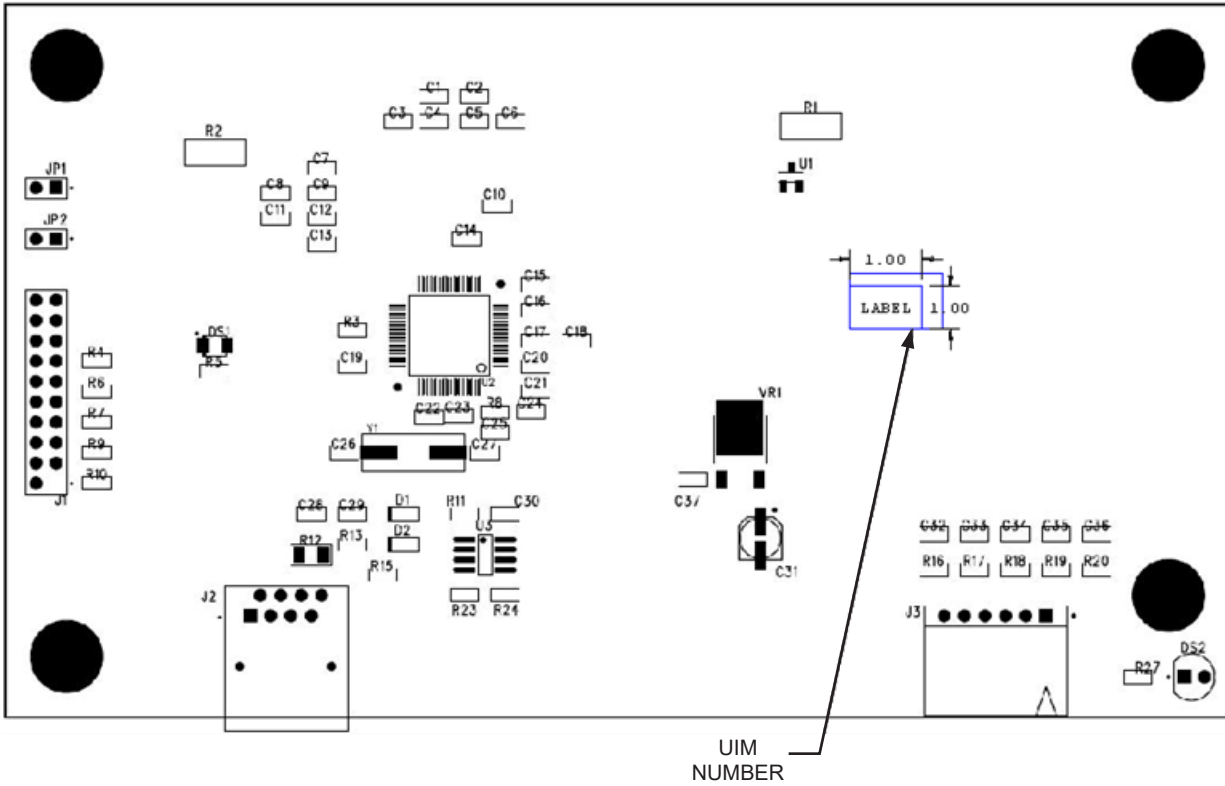
CHH MODELS



CONTROL BOARD (CE IEC NUMBER LOCATION)



DISPLAY BOARD
(UIM NUMBER LOCATION)



ITEM NO.	PART NO.	DESCRIPTION	MODEL NO.
ANODE RODS			
1	100208654	ANODE ROD, 1" NPT X 24" LONG	CHV 150 GAL & 200 GAL (2 REQ) CHH 250 GAL & 300 GAL (3 REQ)
1	100232745	ANODE ROD, 1" NPT X 36" LONG	CHV 500 - 600 GAL (3 REQ) CHH 400 - 600 GAL (3 REQ) CHV & CHH 800 - 1000 GAL (4 REQ)
1	100208663	ANODE ROD, 1" NPT X 48" LONG	CHV & CHH 1250 - 1500 GAL (4 REQ)
1	100278130	ANODE ROD, 1" NPT X 62" LONG	CHV 250 GAL & 300 GAL (1 REQ) CHV & CHH 2000 - 2500 GAL (4 REQ)
1	100208664	ANODE ROD, 3/4" NPT X 52" LONG	CHV 400 GAL (2 REQ)
FUSE BLOCKS			
2	100306547	FUSE BLOCK (PRIMARY CONTROL CIRCUIT)	600V, 30A*
2	100308479	FUSE BLOCK (PRIMARY CONTROL CIRCUIT)	250V, 30A*
3	100308480	FUSE BLOCK (SECONDARY CONTROL CIRCUIT)	ALL
4	100308601	FUSE BLOCK	300V, 60A*
4	100308693	FUSE BLOCK	600V, 60A*
TERMINAL BLOCKS			
5	100308604	TERMINAL BLOCK	600V, 310A, 2 POLE
5	100308605	TERMINAL BLOCK	600V, 175A, 3 POLE
5	100308606	TERMINAL BLOCK	600V, 310A, 3 POLE
5	100308607	TERMINAL BLOCK	600V, 380A, 3 POLE
CONTACTORS			
6	100208805	CONTACTOR, 50 AMP	ALL

PLEASE HAVE MODEL NUMBER AND SERIAL NUMBER WHEN ORDERING PARTS.

*VOLTAGE AND AMPERAGE INFORMATION IS ON THE PART

ITEM NO.	PART NO.	DESCRIPTION						MODEL NO.
SCREW-IN TYPE ELEMENTS - 1 1/2" NPT								
	WATTAGE	208 VOLT PART NO.	240 VOLT PART NO.	380 VOLT PART NO.	400 VOLT PART NO.	415 VOLT PART NO.	480 VOLT PART NO.	600 VOLT PART NO.
7	12000	100308608	100308611	100308613	100308616	100308619	100308622	100308625
7	15000	100308609	100308612	100308614	100308617	100308620	100308623	100308626
7	18000	100308610	N/A	100308615	100308618	100308621	100308624	100309454
FUSES								
8	100308627	FUSE, 600V (PRIMARY CONTROL CIRCUIT)			15 AMP*			
9	100308628	FUSE, 250V			15 AMP*			
10	100308629	FUSE, 300V			35 AMP*			
10	100308630	FUSE, 300V			40 AMP*			
10	100308641	FUSE, 300V			50 AMP*			
10	100308642	FUSE, 300V			60 AMP*			
10	100308643	FUSE, 600V			35 AMP*			
10	100308644	FUSE, 600V			40 AMP*			
10	100308645	FUSE, 600V			50 AMP*			
10	100309455	FUSE, 600V			60 AMP*			
DISPLAY BOARD								
	PART NO.	CE IEC NO.	DESCRIPTION				MODEL	
11	100397163	315344-000	K,SINGLE,BOARD,DISPLAY,CONTROL				ALL	
11	100397164	315344-005	K,MULTIPLE,BOARD,DISPLAY,CONTROL				ALL	
CONTROL BOARD								
	PART NO.	UIM NO.	DESCRIPTION				MODEL	
12	100332537	316822-200	K,CONTROLLER,PCBA,ASSY,1-BANK,ON/OFF				ALL	
12	100332538	316822-205	K,CONTROLLER,PCBA,ASSY,2-BANKS,PROG				ALL	
12	100332539	316822-206	K,CONTROLLER,PCBA,ASSY,3-BANKS,PROG				ALL	
12	100332540	316822-207	K,CONTROLLER,PCBA,ASSY,4-BANKS,PROG				ALL	
12	100332541	316822-208	K,CONTROLLER,PCBA,ASSY,5-BANKS,PROG				ALL	
12	100332542	329971-000	K,CONTROLLER,PCBA,ASSY,LEADER,PROG				ALL	
12	100332543	329972-000	K,CONTROLLER,PCBA,ASSY,FOLLOWER,PROG				ALL	
THERMOSTATS								
13	100308648	BEZEL, DISPLAY			ALL			
14	100308649	PROBE, TEMPERATURE			ALL			
15	100208178	HI LIMIT			ALL			
TRANSFORMERS								
16	100308653	TRANSFORMER, 120-24V			ALL			
17	100308654	TRANSFORMER, 240/480-120V			UP TO 100VA			
17	100308655	TRANSFORMER, 240/480-120V			101-150VA			
17	100308656	TRANSFORMER, 240/480-120V			151-250VA			
17	100308657	TRANSFORMER, 240/480-120V			251-350VA			
TRANSFORMERS (CONTINUED)								
17	100308658	TRANSFORMER, 380/208-120V			UP TO 100VA			
17	100308660	TRANSFORMER, 380/208-120V			101-250VA			
17	100308661	TRANSFORMER, 415/600-120V			UP TO 50VA			
17	100308662	TRANSFORMER, 415/600-120V			51 - 250VA			
MISCELLANEOUS								
18	100208099	GASKET, ELEMENT SCREW-IN			ALL			
19	100278119	GAUGE, TEMPERATURE 30 - 240°F			OPTIONAL			
20	100278120	GAUGE, PRESSURE 0 - 160 PSI			OPTIONAL			
21	100308666	HANDLE, DOOR			ALL			
22	100308667	LOCK, KEY			ALL			
PLEASE HAVE MODEL NUMBER AND SERIAL NUMBER WHEN ORDERING PARTS.								
*VOLTAGE AND AMPERAGE INFORMATION IS ON THE PART								

ITEM NO.	PART NO.	DESCRIPTION	MODEL NO.
23	100308669	PROBE, LWCO	ALL
23	100308670	PROBE, LWCO EXTENTION, 7-1/2"	OPTIONAL
24	100308671	COVER, HI LIMIT	ALL
25	100308672	PILOT SWITCH WITH LIGHT	ALL
-	100208445	RELIEF VALVE 125# W.P.	ALL
-	100208444	RELIEF VALVE 150# W.P.	OPTIONAL
-	100308675	HINGE	ALL
-	100308676	SAFETY DOOR INTERLOCK	OPTIONAL
-	100308677	RELAY, 120V (USED WITH MULTIPLE CONTROL BOARDS)	ALL
-	100308678	CABLE COMMUNICATION	ALL
-	100308679	OVERLAY DISPLAY	ALL
-	100277801	BOOT, LWCO	ALL
-	100308681	PUMP	CHH
-	100308682	GASKET, HAND HOLE 4" X 6", ONE BOLT	OPTIONAL
-	100208765	GASKET, MANWAY 11" X 15"	OPTIONAL
-	100208766	GASKET, MANWAY 12" X 16"	OPTIONAL
-	100308685	ALARM BELL	OPTIONAL
-	100233706	GASKET, SIX BOLT ASME	ALL
-	100308688	COVER, CLEANOUT SIX BOLT ASME	ALL
-	100308689	BLOCK-OFF PLATE, ELEMENT ACCESS SCREW-IN TYPE	ALL
PLEASE HAVE MODEL NUMBER AND SERIAL NUMBER WHEN ORDERING PARTS.			
*VOLTAGE AND AMPERAGE INFORMATION IS ON THE PART			

