



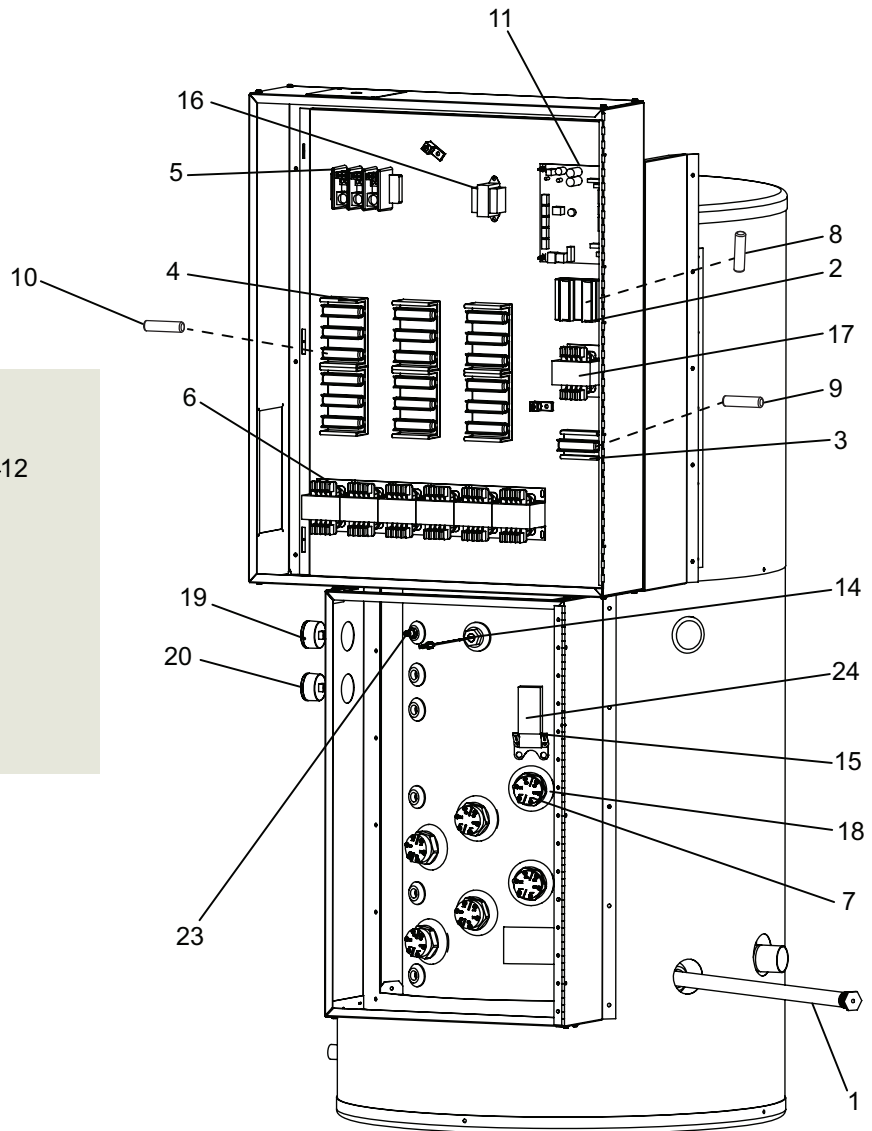
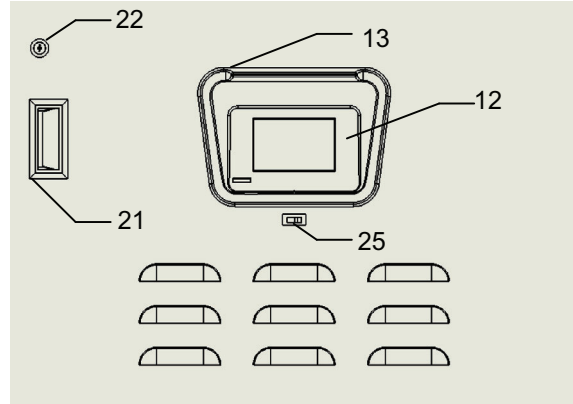
PARTS & SERVICE DEPARTMENT
 Nashville, Tennessee
 877-554-5544 • Fax: 615-882-2918
 parts_team@lochinvar.com
 www.Lochinvar.com

Replacement Parts List

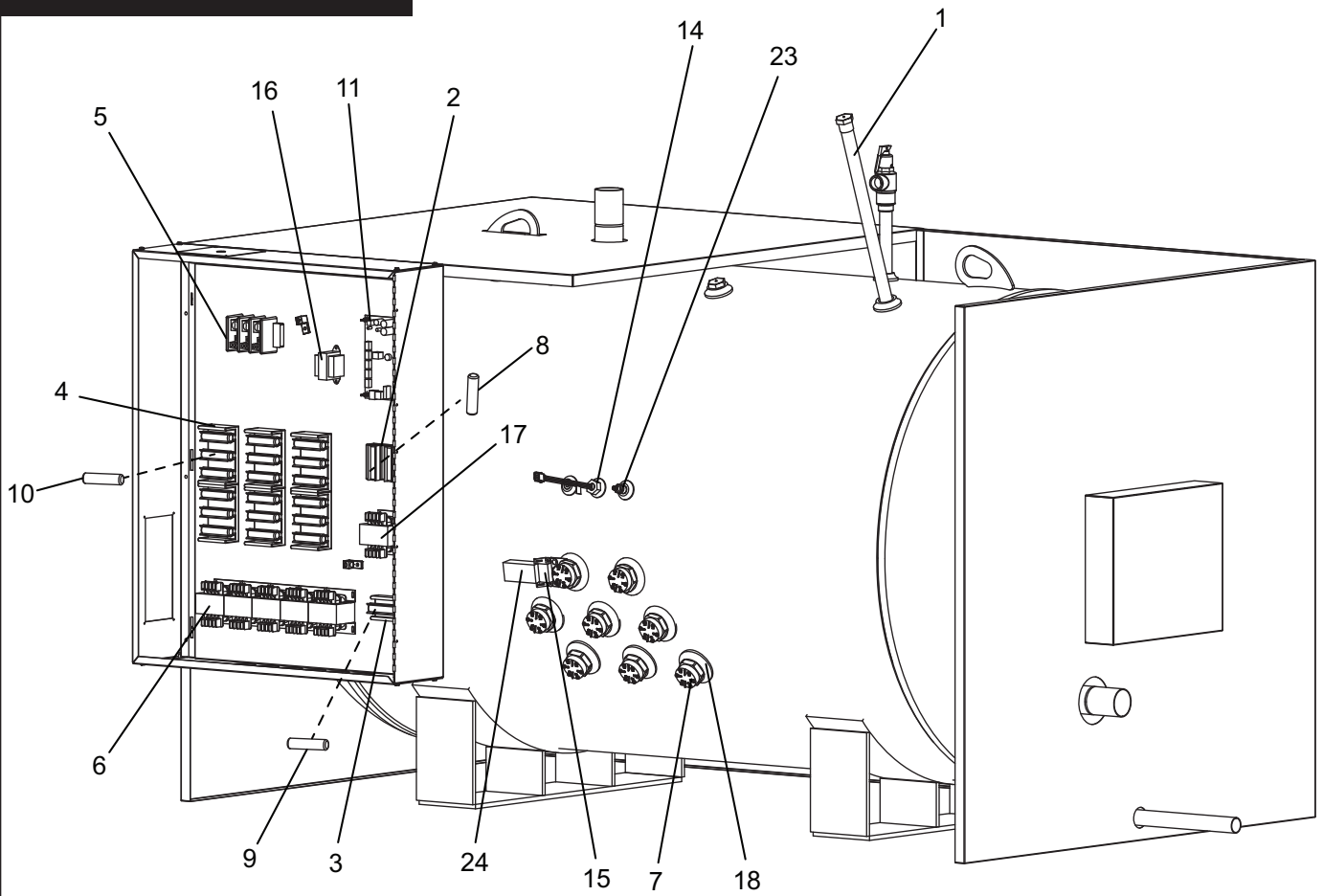
**Commercial Electric
 High Power
 Water Heater**

VERTICAL MODELS

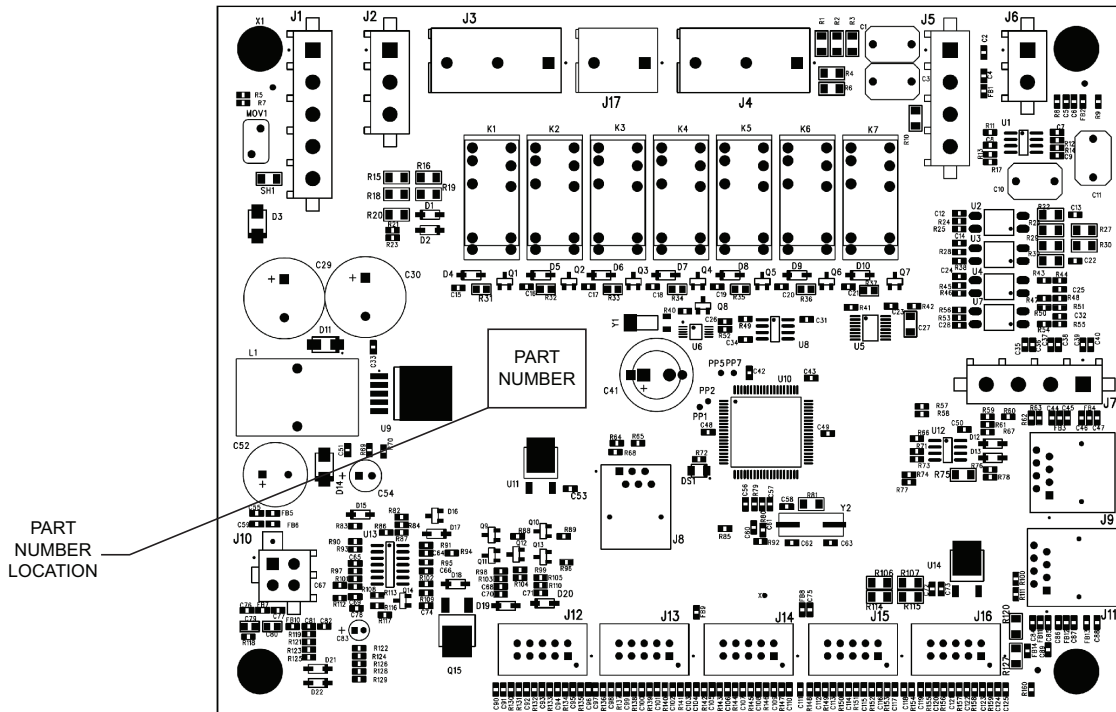
PANEL DOOR VIEW



HORIZONTAL MODELS



CONTROL BOARD (PART NUMBER LOCATION)



ITEM NO.	PART NO.	DESCRIPTION	MODEL NO.					
ANODE RODS								
1	100208654	ANODE ROD, 1" NPT X 24" LONG	CHV 150 GAL & 200 GAL (2 REQ) CHH 250 GAL & 300 GAL (3 REQ)					
1	100232745	ANODE ROD, 1" NPT X 36" LONG	CHV 500 - 600 GAL (3 REQ) CHH 400 - 600 GAL (3 REQ) CHV & CHH 800 - 1000 GAL (4 REQ)					
1	100208663	ANODE ROD, 1" NPT X 48" LONG	CHV & CHH 1250 - 1500 GAL (4 REQ)					
1	100278130	ANODE ROD, 1" NPT X 62" LONG	CHV 250 GAL & 300 GAL (1 REQ) CHV & CHH 2000 - 2500 GAL (4 REQ)					
1	100208664	ANODE ROD, 3/4" NPT X 52" LONG	CHV 400 GAL (2 REQ)					
FUSE BLOCKS								
2	100306547	FUSE BLOCK (PRIMARY CONTROL CIRCUIT)	600V, 30A*					
2	100306548	FUSE BLOCK (PRIMARY CONTROL CIRCUIT)	250V, 30A*					
3	100306549	FUSE BLOCK (SECONDARY CONTROL CIRCUIT)	ALL					
4	100306550	FUSE BLOCK	300V, 60A*					
4	100306571	FUSE BLOCK	600V, 60A*					
TERMINAL BLOCKS								
5	100306572	TERMINAL BLOCK	600V, 310A, 2 POLE					
5	100306573	TERMINAL BLOCK	600V, 175A, 3 POLE					
5	100306574	TERMINAL BLOCK	600V, 310A, 3 POLE					
5	100306575	TERMINAL BLOCK	600V, 380A, 3 POLE					
CONTACTORS								
6	100316001	CONTACTOR, 50 AMP	ALL					
SCREW-IN TYPE ELEMENTS - 1 1/2" NPT								
	WATTAGE	208 VOLT	240 VOLT	380 VOLT	400 VOLT	415 VOLT	480 VOLT	600 VOLT
		PART NO.	PART NO.	PART NO.	PART NO.	PART NO.	PART NO.	PART NO.
7	12000	100306576	100306581	100306584	100306587	100306590	100306568	100306601
7	15000	100306577	100306582	100306585	100306588	100306566	100306569	100306810
7	18000	100306560	N/A	100306586	100306589	100306567	100306570	100339872
FUSES								
8	100306861	FUSE, 600V (PRIMARY CONTROL CIRCUIT)	15 AMP*					
9	100306862	FUSE, 250V	15 AMP*					
10	100306863	FUSE, 300V	35 AMP*					
10	100306855	FUSE, 300V	40 AMP*					
10	100306856	FUSE, 300V	50 AMP*					
10	100306857	FUSE, 300V	60 AMP*					
10	100306859	FUSE, 600V	35 AMP*					
10	100306860	FUSE, 600V	40 AMP*					
10	100306847	FUSE, 600V	50 AMP*					
10	100339873	FUSE, 600V	60 AMP*					
THERMOSTATS								
11	-----	BOARD, CONTROL (SEE PAGE 2, PART NO. LOCATION DIAGRAM)	-----					
12	100306849	BOARD, DISPLAY, COMMUNICATION	ALL					
13	100306850	BEZEL, DISPLAY	ALL					
14	100306891	PROBE, TEMPERATURE	ALL					
15	100306893	HI LIMIT	ALL					
TRANSFORMERS								
16	100306894	TRANSFORMER, 120-24V	ALL					
17	100306895	TRANSFORMER, 240/480-120V	UP TO 100VA					
17	100306896	TRANSFORMER, 240/480-120V	101-150VA					
17	100306897	TRANSFORMER, 240/480-120V	151-250VA					
17	100306899	TRANSFORMER, 240/480-120V	251-350VA					
PLEASE HAVE MODEL NUMBER AND SERIAL NUMBER WHEN ORDERING PARTS.								
*VOLTAGE AND AMPERAGE INFORMATION IS ON THE PART								

ITEM NO.	PART NO.	DESCRIPTION	MODEL NO.
TRANSFORMERS (CONTINUED)			
17	100306900	TRANSFORMER, 380/208-120V	UP TO 100VA
17	100306911	TRANSFORMER, 380/208-120V	101-250VA
17	100306912	TRANSFORMER, 415/600-120V	UP TO 50VA
17	100306884	TRANSFORMER, 415/600-120V	51 - 250VA
MISCELLANEOUS			
18	100306870	GASKET, ELEMENT SCREW-IN	ALL
19	100306921	GAUGE, TEMPERATURE 30 - 240°F	OPTIONAL
20	100306913	GAUGE, PRESSURE 0 - 160 PSI	OPTIONAL
21	100306914	HANDLE, DOOR	ALL
22	100306915	LOCK, KEY	ALL
23	100305916	PROBE, LWCO	ALL
23	100306917	PROBE, LWCO	OPTIONAL
23	100306918	PROBE, LWCO EXTENTION, 7-1/2"	OPTIONAL
24	100306885	COVER, HI LIMIT	ALL
25	100306886	PILOT SWITCH WITH LIGHT	ALL
-	100208445	RELIEF VALVE 125# W.P.	ALL
-	100208444	RELIEF VALVE 150# W.P.	OPTIONAL
-	100306889	HINGE	ALL
-	100306890	SAFETY DOOR INTERLOCK	OPTIONAL
-	100306924	RELAY, 120V (USED WITH MULTIPLE CONTROL BOARDS)	ALL
-	100306925	CABLE COMMUNICATION	ALL
-	100306926	OVERLAY DISPLAY	ALL
-	100341693	BOOT, LWCO	ALL
-	100306928	PUMP	CHH
-	100306937	GASKET, HAND HOLE 4" X 6", ONE BOLT	OPTIONAL
-	100306938	GASKET, MANWAY 11" X 15"	OPTIONAL
-	100306939	GASKET, MANWAY 12" X 16"	OPTIONAL
-	100306940	ALARM BELL	OPTIONAL
-	100306941	GASKET, SIX BOLT ASME	ALL
-	100306943	COVER, CLEANOUT SIX BOLT ASME	ALL
-	100306946	BLOCK-OFF PLATE, ELEMENT ACCESS SCREW-IN TYPE	ALL

PLEASE HAVE MODEL NUMBER AND SERIAL NUMBER WHEN ORDERING PARTS.

*VOLTAGE AND AMPERAGE INFORMATION IS ON THE PART