

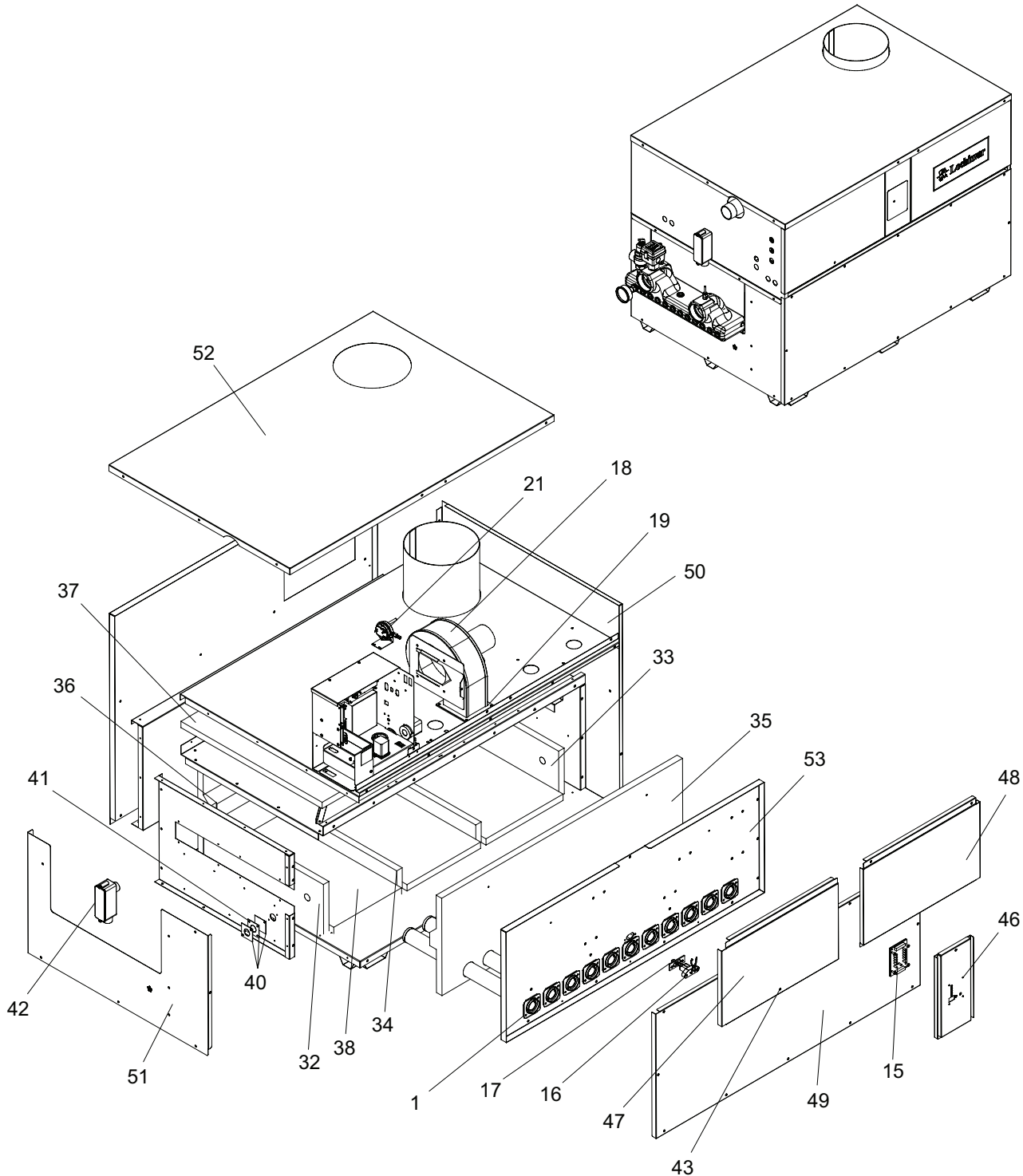


**Lochinvar**<sup>®</sup>  
HIGH EFFICIENCY BOILERS & WATER HEATERS

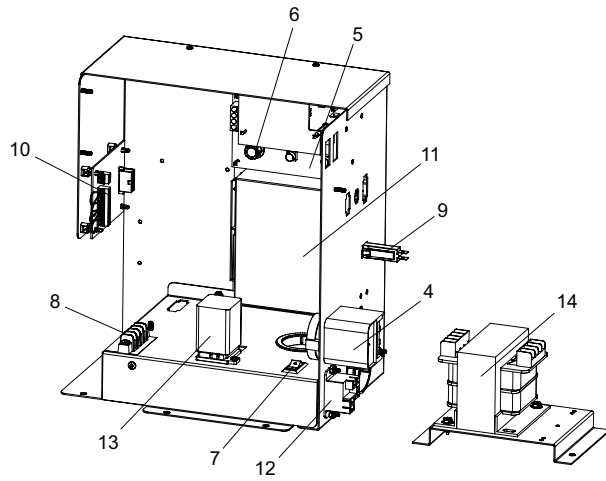
**PARTS & SERVICE DEPARTMENT**  
Nashville, Tennessee  
877-554-5544 • Fax: 615-882-2918  
parts\_team@lochinvar.com  
www.Lochinvar.com

**Replacement Parts List**

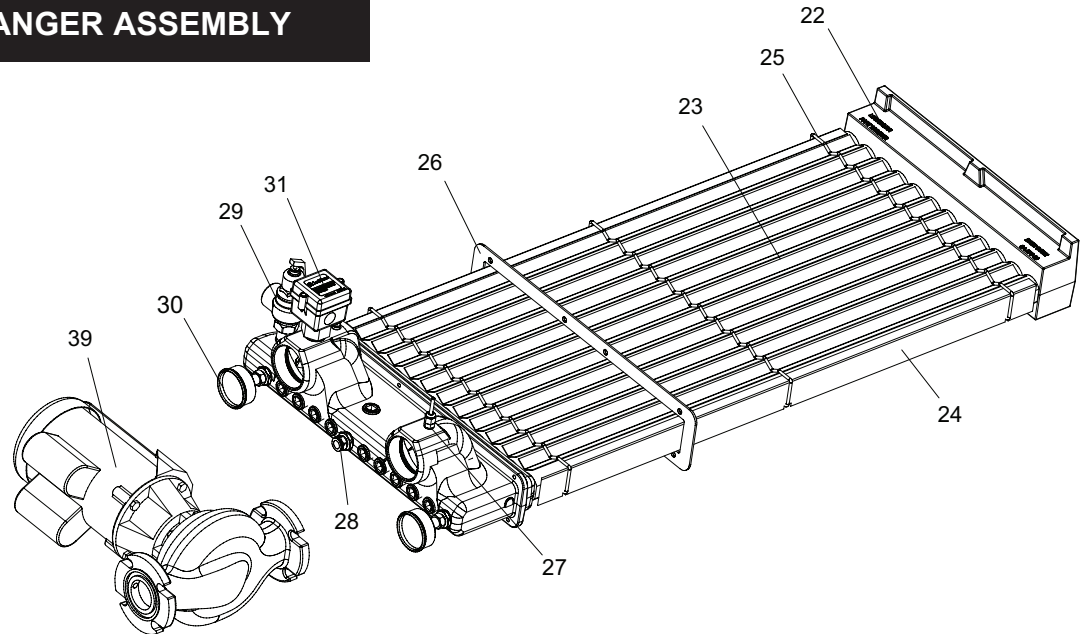
**Copper-Fin<sup>®</sup>**  
**Boilers — Water Heaters**  
**CB—CW 987 - 2067**



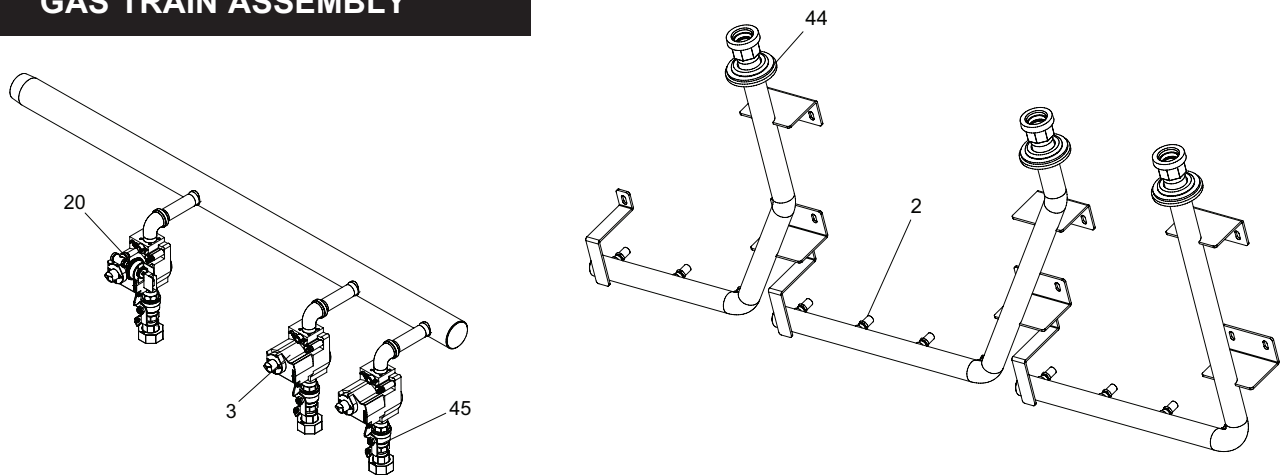
## CONTROL PANEL



## HEAT EXCHANGER ASSEMBLY



## GAS TRAIN ASSEMBLY



ITEM NO.	PART NO.	DESCRIPTION	MODEL NO.
----------	----------	-------------	-----------

### BURNERS

Model	100135304	100135312
987	10 ea	1 ea
1257	13 ea	1 ea
1437	15 ea	1 ea
1797	19 ea	1 ea
2067	22 ea	1 ea

PLEASE HAVE MODEL AND SERIAL NUMBER WHEN ORDERING PARTS  
 \*ITEMS DENOTE SUGGESTED INVENTORY PARTS  
 NOTE: CB = BOILER, CW = WATER HEATER

ITEM NO.	PART NO.	DESCRIPTION	MODEL NO.
<b>GAS TRAIN ASSEMBLIES</b>			
2	100208343	ORIFICE, NATURAL	ALL
2	100208342	ORIFICE, LP	ALL
3	100208604	GAS VALVE, NATURAL	ALL
3	100208608	GAS VALVE, LP	ALL
<b>CONTROLS &amp; GAUGES</b>			
4	100208174*	HIGH LIMIT, MANUAL RESET	ALL
5	100208835*	THERMOSTAT BOARD, 2-STAGE	CB
5	100208555*	THERMOSTAT BOARD, 2-STAGE	CW
6	100208318	FLUTED KNOB W/ SKIRT	ALL
7	100208242	ON / OFF SWITCH W/ I-O SYMBOL	ALL
8	100294584	TERMINAL STRIP, 3/8" X 4"	ALL
9	100288565	CIRCUIT BREAKER, 7 AMP	ALL
10	100294582*	CONNECTION BOARD (CW BEFORE 04-01-2017)	ALL
10	100294583*	CONNECTION BOARD (BEGINNING 04-01-2017)	CW
11	100208464*	IGNITION MODULE, HOT SURFACE IGNITOR	ALL
12	100208491*	RELAY, PUMP	ALL
13	100208504*	RELAY, 24V	ALL
14	100276897	TRANSFORMER, 150VA	ALL
15	100208486	DISPLAY BOARD	ALL
16	100165937*	IGNITOR, HOT SURFACE	ALL
17	100208087	GASKET, IGNITOR	ALL
18	100233485	FAN ASSEMBLY	987 - 1257
18	100144992	FAN ASSEMBLY	1437 - 2067
19	100233678*	GASKET, FAN	ALL
20	100208389*	SWITCH, GAS PRESSURE, NATURAL	ALL
21	100166248*	PRESSURE SWITCH, .95" WATER COLUMN	987, 1257, 1797, 2067
21	100166249*	PRESSURE SWITCH, 1.05" WATER COLUMN	1437
<b>HEAT EXCHANGERS</b>			
22	100147311	HEAT EXCHANGER, HLW (BEFORE 4-1-2017)	CW 987
22	100147313	HEAT EXCHANGER, HLW (BEFORE 4-1-2017)	CW 1257
22	100147314	HEAT EXCHANGER, HLW (BEFORE 4-1-2017)	CW 1437
22	100147315	HEAT EXCHANGER, HLW (BEFORE 4-1-2017)	CW 1797
22	100147316	HEAT EXCHANGER, HLW (BEFORE 4-1-2017)	CW 2067
22	100284337	HEAT EXCHANGER, HLW (BEGINNING 4-1-2017)	CW 987
22	100284338	HEAT EXCHANGER, HLW (BEGINNING 4-1-2017)	CW 1257
22	100284340	HEAT EXCHANGER, HLW (BEGINNING 4-1-2017)	CW 1437
22	100284361	HEAT EXCHANGER, HLW (BEGINNING 4-1-2017)	CW 1797
22	100284362	HEAT EXCHANGER, HLW (BEGINNING 4-1-2017)	CW 2067
22	100147317	HEAT EXCHANGER, H	CB 987
22	100147318	HEAT EXCHANGER, H	CB 1257
22	100147319	HEAT EXCHANGER, H	CB 1437
22	100147320	HEAT EXCHANGER, H	CB 1797
22	100147321	HEAT EXCHANGER, H	CB 2067
23	100152280	V-BAFFLE (11 REQ) (CW BEFORE 4-1-2017)	CB/CW 987
23	100152281	V-BAFFLE (11 REQ) (CW BEFORE 4-1-2017)	CB/CW 1257
23	100152282	V-BAFFLE (11 REQ) (CW BEFORE 4-1-2017)	CB/CW 1437
23	100152283	V-BAFFLE (11 REQ) (CW BEFORE 4-1-2017)	CB/CW 1797
23	100152284	V-BAFFLE (11 REQ) (CW BEFORE 4-1-2017)	CB/CW 2067
23	100283449	V-BAFFLE, SLOTTED (11 REQ) (BEGINNING 4-1-2017)	CW 987
23	100283450	V-BAFFLE, SLOTTED (11 REQ) (BEGINNING 4-1-2017)	CW 1257
23	100283451	V-BAFFLE, SLOTTED (11 REQ) (BEGINNING 4-1-2017)	CW 1437
23	100283452	V-BAFFLE, SLOTTED (11 REQ) (BEGINNING 4-1-2017)	CW 1797
23	100283454	V-BAFFLE, SLOTTED (11 REQ) (BEGINNING 4-1-2017)	CW 2067
24	100152598	FRAME RUNNER (2 REQ)	987
24	100152599	FRAME RUNNER (2 REQ)	1257
24	100152600	FRAME RUNNER (2 REQ)	1437
24	100152601	FRAME RUNNER (2 REQ)	1797
24	100152602	FRAME RUNNER (2 REQ)	2067
25	100208313	RETAINER, V BAFFLE	ALL
26	100233660*	GASKET, HEAT SHIELD	ALL
27	100208553*	INLET SENSOR	ALL
28	100233613*	HIGH LIMIT THERMOSTAT BULB WELL, 3/8 NPT	ALL
29	100208442	PRESSURE RELIEF VALVE, 3/4", 50 PSI	CB
29	100208446	T&P RELIEF VALVE, 3/4", 150 PSI	CW
30	100208152	GAUGE TRIOMETER, 75 PSI	CB
30	100147003	TEMPERATURE GAUGE, 50-266F, 2.5"	CW
31	100232493	FLOW SWITCH, OUTDOOR	ALL
31	100208653	FLOW SWITCH W/ PADDLE, INDOOR	ALL

PLEASE HAVE MODEL AND SERIAL NUMBER WHEN ORDERING PARTS

\*ITEMS DENOTE SUGGESTED INVENTORY PARTS

NOTE: CB = BOILER, CW = WATER HEATER

ITEM NO.	PART NO.	DESCRIPTION	MODEL NO.
<b>LOCH-HEAT TILE</b>			
32	100145343	LOCH-HEAT TILE, FRONT HEAD SIDE	ALL
33	100145344	LOCH-HEAT TILE, REAR HEAD SIDE	ALL
34	100145346	LOCH-HEAT TILE, DIVIDER	ALL
35	100145394	LOCH-HEAT TILE, FRONT DOOR	987
35	100145395	LOCH-HEAT TILE, FRONT DOOR	1257
35	100145353	LOCH-HEAT TILE, FRONT DOOR LEFT	1437
35	100145396	LOCH-HEAT TILE, FRONT DOOR RIGHT	1437
35	100145355	LOCH-HEAT TILE, FRONT DOOR LEFT	1797
35	100145397	LOCH-HEAT TILE, FRONT DOOR RIGHT	1797
35	100145357	LOCH-HEAT TILE, FRONT DOOR LEFT	2067
35	100145398	LOCH-HEAT TILE, FRONT DOOR RIGHT	2067
36	100145337	LOCH-HEAT TILE, BACK	987
36	100145338	LOCH-HEAT TILE, BACK	1257
36	100145339	LOCH-HEAT TILE, BACK LEFT	1437
36	100145340	LOCH-HEAT TILE, BACK LEFT	1797
36	100145341	LOCH-HEAT TILE, BACK LEFT	2067
36	100145342	LOCH-HEAT TILE, BACK RIGHT	1437 - 2067
37	100145312	INSULATION PAD, TOP	987
37	100145314	INSULATION PAD, TOP	1257
37	100145568	INSULATION PAD, TOP	1437
37	100145316	INSULATION PAD, TOP	1797
37	100145570	INSULATION PAD, TOP	2067
38	100145345	LOCH-HEAT TILE, LEFT BOTTOM	987
38	100145347	LOCH-HEAT TILE, MIDDLE BOTTOM	987
38	100145348	LOCH-HEAT TILE, RIGHT BOTTOM	987
38	100145349	LOCH-HEAT TILE, LEFT BOTTOM	1257
38	100145347	LOCH-HEAT TILE, MIDDLE BOTTOM (2)	1257
38	100145350	LOCH-HEAT TILE, RIGHT BOTTOM	1257
38	100145361	LOCH-HEAT TILE, LEFT BOTTOM	1437
38	100145347	LOCH-HEAT TILE, MIDDLE BOTTOM (2)	1437
38	100145362	LOCH-HEAT TILE, RIGHT BOTTOM	1437
38	100145363	LOCH-HEAT TILE, LEFT BOTTOM	1797
38	100145347	LOCH-HEAT TILE, MIDDLE BOTTOM (3)	1797
38	100145364	LOCH-HEAT TILE, RIGHT BOTTOM	1797
38	100145365	LOCH-HEAT TILE, LEFT BOTTOM	2067
38	100145347	LOCH-HEAT TILE, MIDDLE BOTTOM (3)	2067
38	100145366	LOCH-HEAT TILE, MIDDLE BOTTOM (1)	2067
38	100145367	LOCH-HEAT TILE, RIGHT BOTTOM	2067
<b>PUMPS</b>			
39	100133601	PUMP ASSEMBLY FOR WATER HEATER, STANDARD, 1/2 HP, 2-1/2", BRZ	CW
39	100287831	PUMP ASSEMBLY FOR WATER HEATER, UPSIZED, 1-1/2 HP, 2", BRZ	CW
39	100133603	PUMP ASSEMBLY FOR BOILER, 1/2 HP, 2-1/2", CAST	CB
<b>MISCELLANEOUS</b>			
40	100163259	SIGHT GLASS KIT	ALL
41	100233729	GASKET, SIGHT GLASS	ALL
42	100289397	CONDUIT BODY, 1-1/4", PVC	ALL
43	100289391	SCREW, KNURLED HEAD	ALL
44	100208097	ESCUTCHEON GASKET, 3/4"	ALL
45	100288508	GAS SHUT-OFF VALVE, 3/4 NPT, BRS	CB
	100278141	ESCUTCHEON GASKET, 2"	ALL
	100146604*	GASKET STRIP, FIBERGLASS, WHITE	ALL
	100208572	TUBING - 3/16" X 5/16" GRAY	ALL
	100208573	TUBING - 1/8" ALUMINUM	ALL
	100208063*	FILTER - 16" X 16" X 1"	ALL
	100233587*	GASKET, BURNER	ALL
	100146588	GASKET, PVC - 1/4" X 5/8" BLACK	ALL
	100170644	KIT, TANK SENSOR	CW
	100170645	KIT, SYSTEM SENSOR	CB
	100289393	TEE, 3/16" HOSE	ALL
	100208319	CAP, 3/16" TEE FITTING	ALL
	100208552	SENSOR, SYSTEM/TANK	ALL
	100233695	BULBWELL	ALL
	100173747	LOW WATER CUT-OFF - MANUAL RESET (OPTIONAL)	ALL
	100173748	LOW WATER CUT-OFF - AUTO RESET (OPTIONAL)	ALL
	100208662	LOW WATER CUT-OFF, PROBE (OPTIONAL)	ALL
	100277801	LOW WATER CUT-OFF, BOOT (OPTIONAL)	ALL
PLEASE HAVE MODEL AND SERIAL NUMBER WHEN ORDERING PARTS			
*ITEMS DENOTE SUGGESTED INVENTORY PARTS			
NOTE: CB = BOILER, CW = WATER HEATER			

ITEM NO.	PART NO.	DESCRIPTION	MODEL NO.
<b>JACKET ASSEMBLIES</b>			
46	<a href="#">100152295</a>	JACKET, OUTER FRONT UPPER MIDDLE	ALL
47	<a href="#">100152572</a>	JACKET, OUTER FRONT UPPER LEFT	ALL
48	<a href="#">100152296</a>	JACKET, OUTER FRONT UPPER RIGHT	987
48	<a href="#">100152297</a>	JACKET, OUTER FRONT UPPER RIGHT	1257
48	<a href="#">100152298</a>	JACKET, OUTER FRONT UPPER RIGHT	1437
48	<a href="#">100152299</a>	JACKET, OUTER FRONT UPPER RIGHT	1797
48	<a href="#">100152300</a>	JACKET, OUTER FRONT UPPER RIGHT	2067
49	<a href="#">100152560</a>	JACKET, OUTER FRONT LOWER	987
49	<a href="#">100152561</a>	JACKET, OUTER FRONT LOWER	1257
49	<a href="#">100152562</a>	JACKET, OUTER FRONT LOWER	1437
49	<a href="#">100152563</a>	JACKET, OUTER FRONT LOWER	1797
49	<a href="#">100152564</a>	JACKET, OUTER FRONT LOWER	2067
50	<a href="#">100152614</a>	JACKET, OUTER REAR HEAD	ALL
51	<a href="#">100152550</a>	JACKET, OUTER LEFT LOWER HEAD	ALL
52	<a href="#">100152555</a>	JACKET, OUTER TOP	987
52	<a href="#">100152556</a>	JACKET, OUTER TOP	1257
52	<a href="#">100152557</a>	JACKET, OUTER TOP	1437
52	<a href="#">100152558</a>	JACKET, OUTER TOP	1797
52	<a href="#">100152559</a>	JACKET, OUTER TOP	2067
53	<a href="#">100152301</a>	DOOR, COMBUSTION CHAMBER	987
53	<a href="#">100152302</a>	DOOR, COMBUSTION CHAMBER	1257
53	<a href="#">100152303</a>	DOOR, COMBUSTION CHAMBER	1437
53	<a href="#">100152305</a>	DOOR, COMBUSTION CHAMBER	1797
53	<a href="#">100152306</a>	DOOR, COMBUSTION CHAMBER	2067
<b>PLEASE HAVE MODEL AND SERIAL NUMBER WHEN ORDERING PARTS</b> <b>*ITEMS DENOTE SUGGESTED INVENTORY PARTS</b> <b>NOTE: CB = BOILER, CW = WATER HEATER</b>			

# Notes

# Notes

