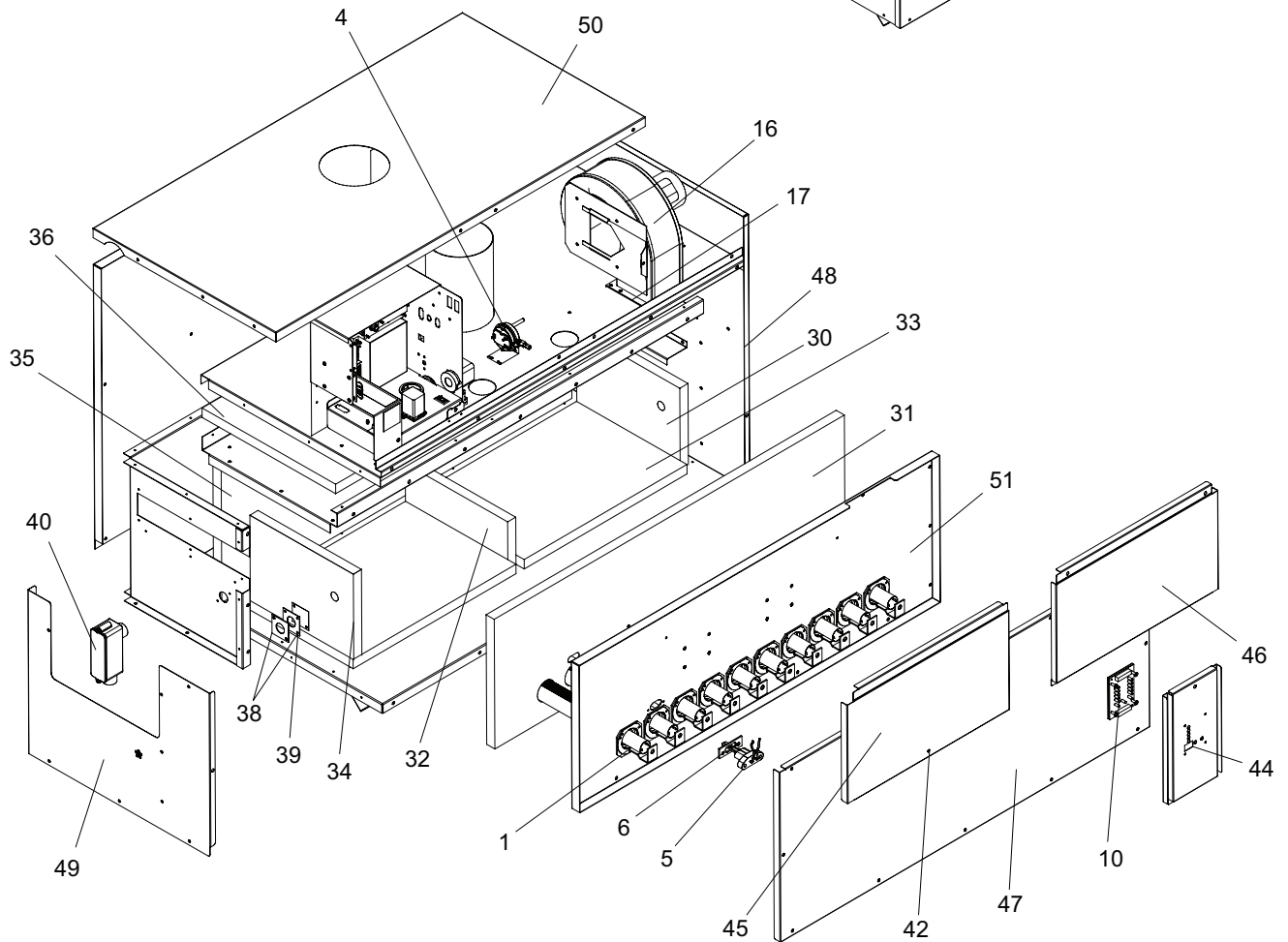
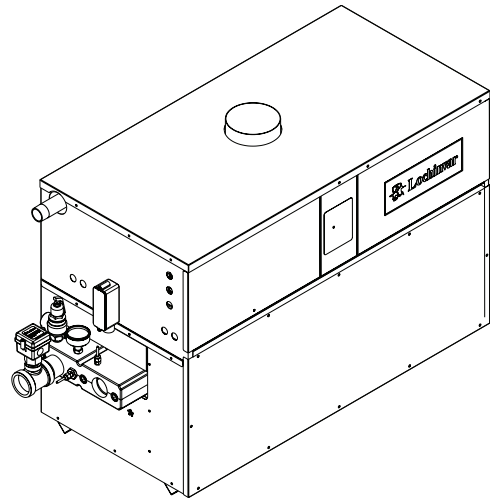




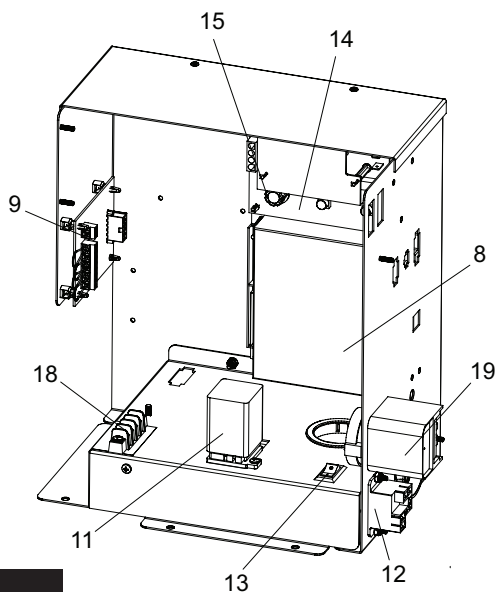
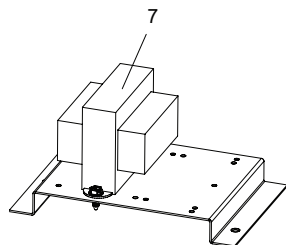
PARTS & SERVICE DEPARTMENT
 Nashville, Tennessee
 877-554-5544 • Fax: 615-882-2918
 parts_team@lochinvar.com
 www.Lochinvar.com

Replacement Parts List

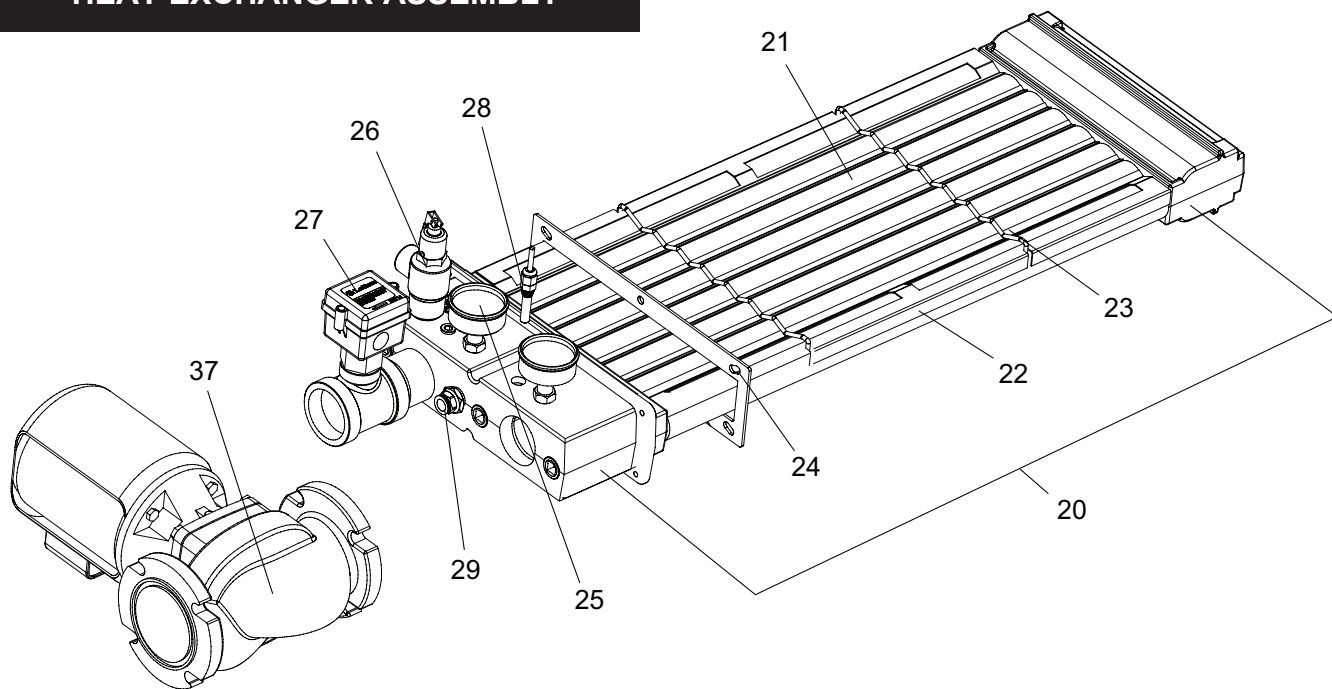
**Copper-Fin®
 Boilers — Water Heaters
 CB—CW 497 -747**



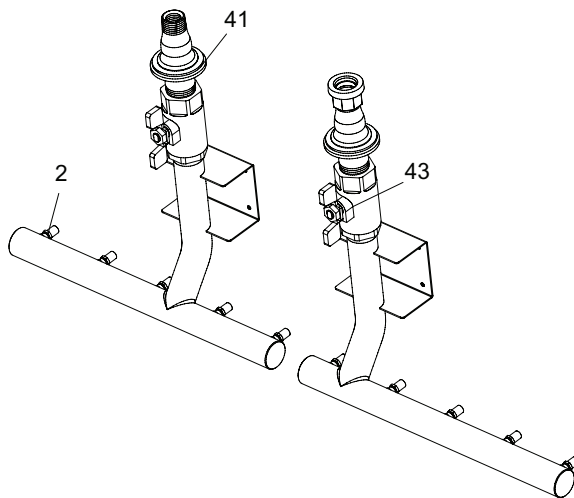
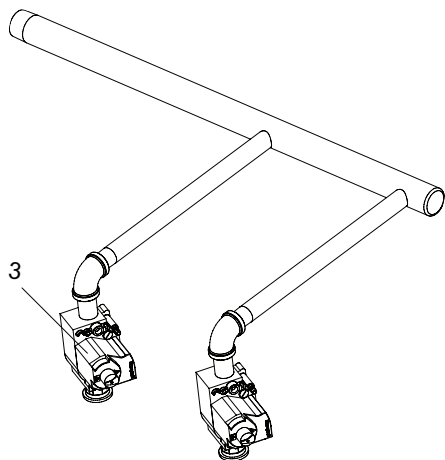
CONTROL PANEL



HEAT EXCHANGER ASSEMBLY



GAS TRAIN ASSEMBLY



ITEM NO.	PART NO.	DESCRIPTION	MODEL NO.
BURNERS			
1	100135300 Main Burner	Model	100135300
		497	9 ea
	100135270 Main Burner w/ compression fitting	647	12 ea
		747	14 ea
GAS TRAIN ASSEMBLIES			
2	100208348	ORIFICE, NATURAL	ALL
2	100208345	ORIFICE, LP	ALL
3	100172018	GAS VALVE ASSEMBLY, NATURAL	ALL
3	100172019	GAS VALVE ASSEMBLY, LP	ALL
CONTROLS			
4	100208387*	PRESSURE SWITCH, 1.15" WATER COLUMN	ALL
5	100165937*	IGNITOR ,HOT SURFACE	ALL
6	100208087	GASKET, IGNITOR	ALL
7	100208251	TRANSFORMER, 27.5V, 75VA	ALL
8	100208464	IGNITION MODULE	ALL
9	100294582*	CONNECTION BOARD (CW BEFORE 04-01-2017)	ALL
9	100294583*	CONNECTION BOARD (BEGINNING 04-01-2017)	CW
10	100208486	DISPLAY BOARD	ALL
11	100208504*	RELAY, 24V	ALL
12	100208491*	RELAY, PUMP	ALL
13	100208242	ON / OFF SWITCH W/ I-O SYMBOL	ALL
14	100208835*	THERMOSTAT BOARD, 2-STAGE	CB
14	100208555*	THERMOSTAT BOARD, 2-STAGE	CW
15	100208318	FLUTED KNOB W/ SKIRT	ALL
16	100137145	FAN ASSEMBLY	ALL
17	100233678*	GASKET, FAN	ALL
18	100294584	TERMINAL STRIP, 3/8" X 4"	ALL
19	100208174*	HIGH LIMIT, MANUAL RESET	ALL
HEAT EXCHANGERS			
20	100147344	HEAT EXCHANGER, H STAMP, 500 MBH	CB 497
20	100147347	HEAT EXCHANGER, H STAMP, 650 MBH	CB 647
20	100147349	HEAT EXCHANGER, H STAMP, 750 MBH	CB 747
20	100147346	HEAT EXCHANGER, HLW STAMP, 500 MBH (BEFORE 04-01-2017)	CW 497
20	100147348	HEAT EXCHANGER- HLW STAMP, 650 MBH (BEFORE 04-01-2017)	CW 647
20	100147350	HEAT EXCHANGER- HLW STAMP, 750 MBH (BEFORE 04-01-2017)	CW 747
20	100284334	HEAT EXCHANGER- HLW STAMP, 500 MBH (BEGINNING 04-01-2017)	CW 497
20	100284335	HEAT EXCHANGER- HLW STAMP, 650 MBH (BEGINNING 04-01-2017)	CW 647
20	100284336	HEAT EXCHANGER- HLW STAMP, 750 MBH (BEGINNING 04-01-2017)	CW 747
21	100151232	V-BAFFLE (5 REQ.) (ON CW ONLY: BEFORE 4-1-2017)	CB/CW 497
21	100290355	V-BAFFLE (5 REQ.) (ON CW ONLY: BEFORE 4-1-2017)	CB/CW 647
21	100151234	V-BAFFLE (5 REQ.) (ON CW ONLY: BEFORE 4-1-2017)	CB/CW 747
21	100283446	V-BAFFLE, SLOTTED (5 REQ.) (BEGINNING 4-7-2017)	CW 497
21	100283447	V-BAFFLE, SLOTTED (5 REQ.) (BEGINNING 4-1-2017)	CW 647
22	100151525	V-BAFFLE RUNNER FRAME (2 REQ.)	497
22	100151526	V-BAFFLE RUNNER FRAME (2 REQ.)	647
22	100151527	V-BAFFLE RUNNER FRAME (2 REQ.)	747
23	100163183	V-BAFFLE RETAINER (2 REQ.)	ALL
24	100208106	GASKET, HEAT SHIELD	ALL
25	100208152	GAUGE TRIOMETER, 75 PSI	CB
25	100147003	TEMPERATURE GAUGE, 50-266F, 2.5"	CW
26	100208446	T&P RELIEF VALVE, 3/4", 150 PSI	CW
26	100208442	PRESSURE RELIEF VALVE, 3/4", 50 PSI	CB
27	100232493*	FLOW SWITCH, OUTDOOR	ALL
27	100208653*	FLOW SWITCH W/ PADDLE, INDOOR	ALL
28	100208553*	INLET SENSOR	ALL
29	100233613*	HIGH LIMIT THERMOSTAT BULB WELL, 3/8 NPT	ALL
LOCH-HEAT TILE			
30	100145466	LOCH-HEAT TILE, REAR HEAD SIDE	ALL
31	100145468	LOCH-HEAT TILE, FRONT DOOR	497
31	100145619	LOCH-HEAT TILE, FRONT DOOR	647
PLEASE HAVE MODEL AND SERIAL NUMBER WHEN ORDERING PARTS *ITEMS DENOTE SUGGESTED INVENTORY PARTS NOTE: CB = BOILER CW = WATER HEATER			

ITEM NO.	PART NO.	DESCRIPTION	MODEL NO.
LOCH-HEAT TILE CONTINUED			
31	100233547	LOCH-HEAT TILE, FRONT DOOR	747
32	100233575	LOCH-HEAT TILE, DIVIDER	ALL
33	100145694	LOCH-HEAT TILE, RIGHT / LEFT BOTTOM	497
33	100145474	LOCH-HEAT TILE, BOTTOM - RIGHT	647
33	100145475	LOCH-HEAT TILE, BOTTOM - LEFT	647
33	100145472	LOCH-HEAT TILE, BOTTOM - RIGHT	747
33	100145473	LOCH-HEAT TILE, BOTTOM - LEFT	747
34	100233555	LOCH-HEAT TILE, FRONT HEAD SIDE	ALL
35	100145613	LOCH-HEAT TILE, REAR / BACK	497
35	100145614	LOCH-HEAT TILE, REAR / BACK	647
35	100145615	LOCH-HEAT TILE, REAR / BACK	747
36	100145702	INSULATION PAD, TOP	497
36	100145703	INSULATION PAD, TOP	647
36	100145704	INSULATION PAD, TOP	747
PUMP			
37	100133610	PUMP FOR CW WATER HEATER, STANDARD, 1/4 HP, 2" FLG, BRONZE	CW
37	100232190	PUMP FOR CW WATER HEATER, UPSIZED, 3/4 HP, SS	CW
37	100133612	PUMP FOR CB BOILER, 1/4 HP, 2" FLG, CAST	CB
MISCELLANEOUS			
38	100163259	SIGHT GLASS KIT	ALL
39	100233729	GASKET, SIGHT GLASS	ALL
40	100289397	CONDUIT BODY, 1-1/4", PVC	ALL
41	100208090	ESCUTCHEON GASKET, 1"	ALL
42	100289391	SCREW, KNURLED HEAD	ALL
43	100288509	VALVE, DRY FIRE, 1"	ALL
--	100290347	PIPE ESCUTCHEON GASKET, 1-1/4"	ALL
--	100233577*	FILTER - 12" X 12" X 1"	ALL
--	100146604*	GASKET STRIP, FIBERGLASS, WHITE	ALL
--	100233587*	GASKET, BURNER	ALL
--	100146588*	GASKET, PVC - 1/4" X 5/8" BLACK	ALL
--	100170644*	WATER HEATER SENSOR W/ BULB WELL & SLEEVE	CW
--	100170645*	SYSTEM SENSOR KIT W/ BULB WELL	CB
--	100289393	PLASTIC BARBED TEE, 3/16"	ALL
--	100208319	CAP, 3/16" TEE FITTING	ALL
--	100208572	TUBING - 3/16" X 5/16" GRAY	ALL
--	100208573	TUBING - 1/8" ALUMINUM	ALL
--	100208552*	SENSOR, SYSTEM / INLET	ALL
--	100233695*	HIGH LIMIT THERMOSTAT BULB WELL, 3/8 NPT	ALL
JACKET ASSEMBLIES			
44	100151248	JACKET, OUTER FRONT UPPER MIDDLE	ALL
45	100151493	JACKET, OUTER FRONT UPPER LEFT	ALL
46	100151249	JACKET, OUTER FRONT UPPER RIGHT	497
46	100151250	JACKET, OUTER FRONT UPPER RIGHT	647
46	100151251	JACKET, OUTER FRONT UPPER RIGHT	747
47	100151482	JACKET, OUTER FRONT LOWER	497
47	100151483	JACKET, OUTER FRONT LOWER	647
47	100151484	JACKET, OUTER FRONT LOWER	747
48	100151511	JACKET, OUTER REAR HEAD	ALL
49	100151472	JACKET, OUTER LEFT LOWER HEAD	ALL
50	100151512	JACKET, OUTER TOP	497
50	100151514	JACKET, OUTER TOP	647
50	100151515	JACKET, OUTER TOP	747
51	100151252	DOOR, COMBUSTION CHAMBER	497
51	100151253	DOOR, COMBUSTION CHAMBER	647
51	100151254	DOOR, COMBUSTION CHAMBER	747
PLEASE HAVE MODEL AND SERIAL NUMBER WHEN ORDERING PARTS *ITEMS DENOTE SUGGESTED INVENTORY PARTS NOTE: CB = BOILER CW = WATER HEATER			