

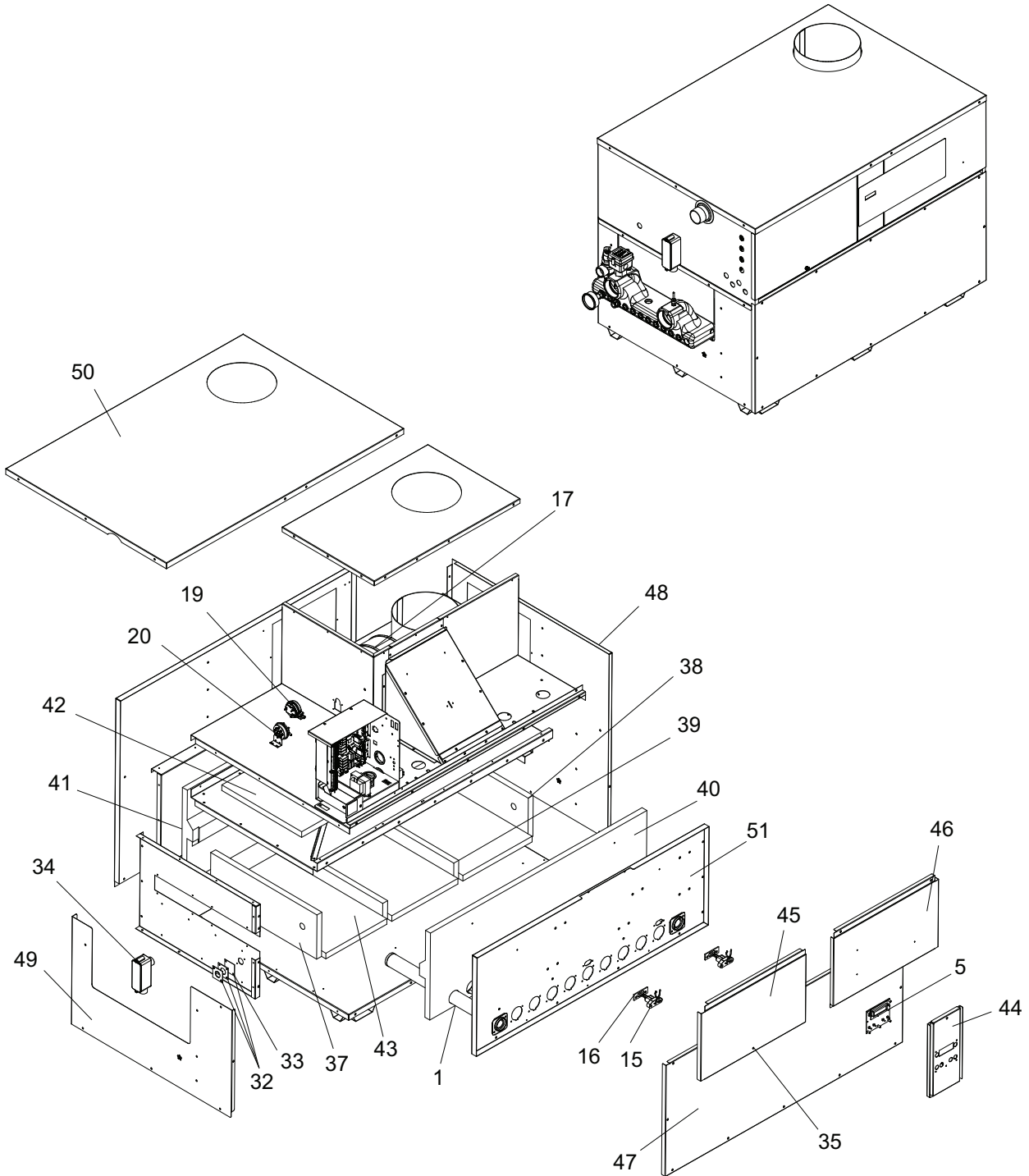


Lochinvar[®]
HIGH EFFICIENCY BOILERS & WATER HEATERS

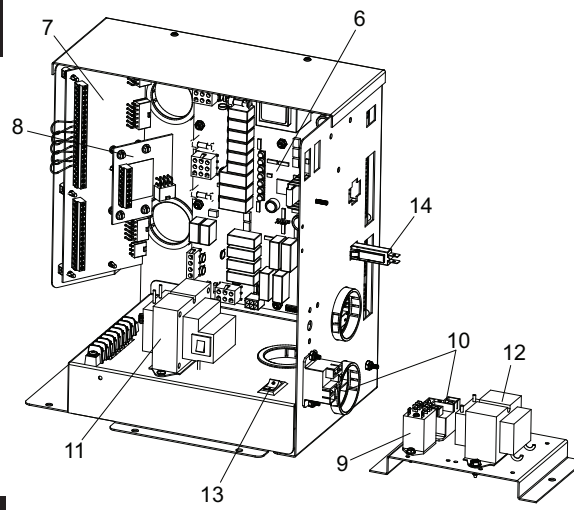
PARTS & SERVICE DEPARTMENT
Nashville, Tennessee
877-554-5544 • Fax: 615-882-2918
parts_team@lochinvar.com
www.Lochinvar.com

Replacement Parts List

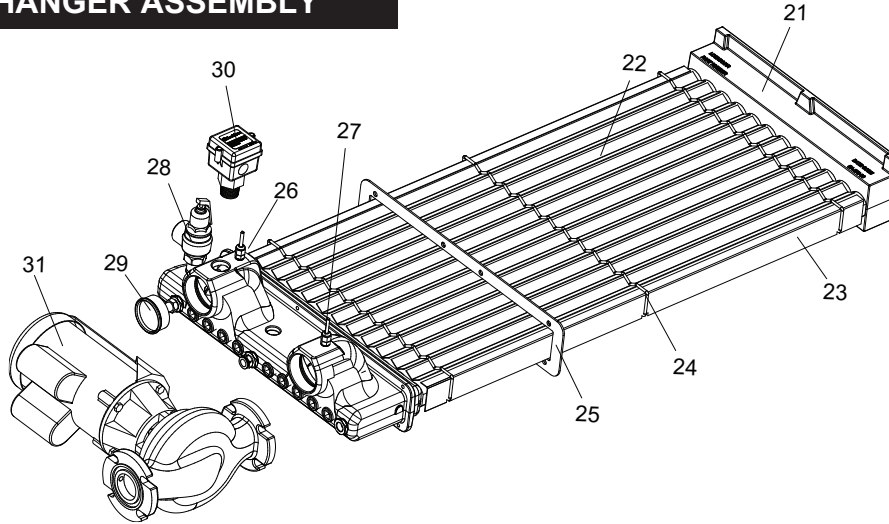
Copper-Fin II[®]
Boilers — Water Heaters
CH — CF 992 -2072



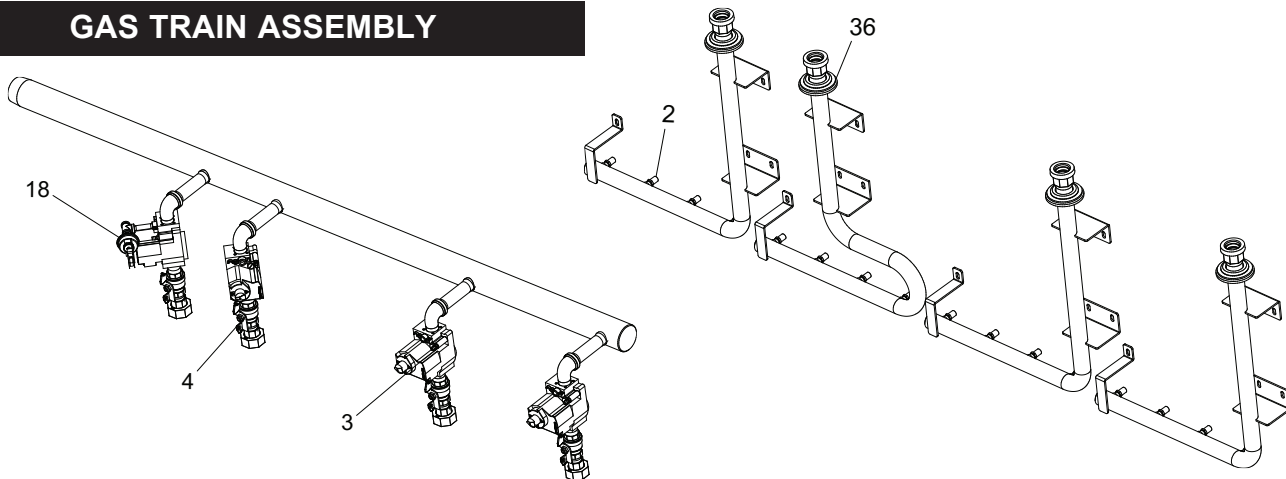
CONTROL PANEL ASSEMBLY



HEAT EXCHANGER ASSEMBLY



GAS TRAIN ASSEMBLY



ITEM NO.	PART NO.	DESCRIPTION	MODEL NO.
BURNERS			
1	Model	100135304	100135312
		992	1 ea
	100135304 is Main Burner	1262	1 ea
		1442	1 ea
	100135312 is Main Burner w/ compression fitting.	1802	1 ea
	2072	1 ea	
GAS TRAIN ASSEMBLIES			
2	100208343	ORIFICE, NAT	ALL
2	100208342	ORIFICE, LP	ALL
3	100208604	GAS VALVE, NAT	ALL
3	100208608	GAS VALVE, LP	ALL
4	100288508	GAS SHUT-OFF VALVE, 3/4 NPT, BRS (CF BEGINNING 4-1-2017)	CH

PLEASE HAVE MODEL AND SERIAL NUMBER WHEN ORDERING PARTS

*ITEMS DENOTE SUGGESTED INVENTORY PARTS

ITEM NO.	PART NO.	DESCRIPTION	MODEL NO.
CONTROLS & GAUGES			
5	100208468*	USER INTERFACE CONTROL	ALL
6	100208469*	MAIN CONTROL BOARD	ALL
7	100208475*	CONNECTION BOARD	ALL
8	100288444*	SENSOR BOARD	CH
9	100208490*	RELAY, 120V, 1.2VA	ALL
10	100208509*	RELAY, 120VAC, 60HZ, 10.8 AMP	ALL
11	100208246	TRANSFORMER, 24V, 60VA	ALL
12	100208246	TRANSFORMER, 24V, 60VA	992
12	100208251	TRANSFORMER, 27.5V, 75VA	1262 & 1442
12	100288473	TRANSFORMER, 120V, 50/60 HZ	1802 & 2072
13	100208242	ON / OFF SWITCH W/ I-O SYMBOL	ALL
14	100289379	CIRCUIT BREAKER, 5 AMP	1802 & 2072
15	100165937*	IGNITOR, HOT SURFACE	ALL
16	100208087	GASKET, IGNITOR	ALL
17	100233485	FAN ASSEMBLY	992 - 1442
17	100144992	FAN ASSEMBLY	1802 & 2072
-	100233678	FAN GASKET	ALL
18	100208389*	SWITCH, GAS PRESSURE, NATURAL	ALL
19	100294586*	PRESSURE SWITCH, .63" WATER COLUMN	992
19	100294585*	PRESSURE SWITCH, .68" WATER COLUMN	1262
19	100276815*	PRESSURE SWITCH, .58" WATER COLUMN	1442
19	100294587*	PRESSURE SWITCH, .50" WATER COLUMN	1802
19	100294588*	PRESSURE SWITCH, .55" WATER COLUMN	2072
20	100208384*	PRESSURE SWITCH, .85" WATER COLUMN	ALL
HEAT EXCHANGERS			
21	100147311	HEAT EXCHANGER, HLW (BEFORE 4-1-2017)	CF 992
21	100147313	HEAT EXCHANGER, HLW (BEFORE 4-1-2017)	CF 1262
21	100147314	HEAT EXCHANGER, HLW (BEFORE 4-1-2017)	CF 1442
21	100147315	HEAT EXCHANGER, HLW (BEFORE 4-1-2017)	CF 1802
21	100147316	HEAT EXCHANGER, HLW (BEFORE 4-1-2017)	CF 2072
21	100147317	HEAT EXCHANGER, H (CF BEGINNING 4-1-2017)	CF 992
21	100147318	HEAT EXCHANGER, H (CF BEGINNING 4-1-2017)	CF 1262
21	100147319	HEAT EXCHANGER, H (CF BEGINNING 4-1-2017)	CF 1442
21	100147320	HEAT EXCHANGER, H (CF BEGINNING 4-1-2017)	CF 1802
21	100147321	HEAT EXCHANGER, H (CF BEGINNING 4-1-2017)	CF 2072
21	100147317	HEAT EXCHANGER, H	CH 992
21	100147318	HEAT EXCHANGER, H	CH 1262
21	100147319	HEAT EXCHANGER, H	CH 1442
21	100147320	HEAT EXCHANGER, H	CH 1802
21	100147321	HEAT EXCHANGER, H	CH 2072
22	100152280	V-BAFFLE (11 REQ.)	992
22	100152281	V-BAFFLE (11 REQ.)	1262
22	100152282	V-BAFFLE (11 REQ.)	1442
22	100152283	V-BAFFLE (11 REQ.)	1802
22	100152284	V-BAFFLE (11 REQ.)	2072
23	100152598	FRAME RUNNER (2 REQ.)	992
23	100152599	FRAME RUNNER (2 REQ.)	1262
23	100152600	FRAME RUNNER (2 REQ.)	1442
23	100152601	FRAME RUNNER (2 REQ.)	1802
23	100152602	FRAME RUNNER (2 REQ.)	2072
24	100208313	RETAINER V-BAFFLE (3 REQ.)	ALL
25	100233660*	GASKET, HEAT SHIELD	ALL
26	100208559*	OUTLET SENSOR, DUAL IMMERSION	ALL
27	100208553*	INLET SENSOR	ALL
28	100208442	PRESSURE RELIEF VALVE, 3/4", 50 PSI	CH
28	100208446	T&P RELIEF VALVE, 3/4", 150 PSI	CF
29	100208152*	GAUGE TRIOMETER, 75 PSI	CH
30	100232493*	FLOW SWITCH, OUTDOOR	ALL
30	100208653*	FLOW SWITCH, INDOOR	ALL
PUMPS			
31	100133601	PUMP ASSEMBLY FOR WATER HEATER, STANDARD, 1/2 HP, 2-1/2", BRZ	CF
31	100287831	PUMP ASSEMBLY FOR WATER HEATER, UPSIZED, 1-1/2 HP, 2" FLG, BRZ	CF
31	100133603	PUMP ASSEMBLY FOR BOILER, 1/2 HP, 2-1/2", CAST	CH
MISCELLANEOUS			
32	100163259*	SIGHT GLASS KIT	ALL
33	100233729	GASKET, SIGHT GLASS	ALL
34	100289397	CONDUIT BODY, 1-1/4", PVC	ALL
35	100289391	SCREW, KNURLED HEAD	ALL
36	100208097	ESCUTCHEON GASKET, 3/4"	ALL

PLEASE HAVE MODEL AND SERIAL NUMBER WHEN ORDERING PARTS
*ITEMS DENOTE SUGGESTED INVENTORY PARTS

ITEM NO.	PART NO.	DESCRIPTION	MODEL NO.
MISCELLANEOUS (CONTINUED)			
-	100208231*	FUSE, 3.15A / 250V	ALL
-	100208232*	FUSE, 5A / 250V	ALL
-	100278141	ESCUTCHEON GASKET, 2"	ALL
-	100146604	GASKET STRIP, FIBERGLASS, WHITE	ALL
-	100208572	TUBING - 3/16" X 5/16", GRAY	ALL
-	100208573	TUBING - 1/8", ALUMINUM	ALL
-	100208063*	FILTER - 16" X 16" X 1"	ALL
-	100233587*	GASKET, BURNER	ALL
-	100146588*	GASKET, PVC - 1/4" X 5/8" BLACK	ALL
-	100170644*	WATER HEATER SENSOR W/ BULB WELL & SLEEVE	CF
-	100170645*	SYSTEM SENSOR KIT W/ BULB WELL	CH
-	100289393	PLASTIC BARBED TEE, 3/16"	ALL
-	100208319	CAP, 3/16" TEE FITTING	ALL
-	100208552	SENSOR, SYSTEM / INLET	ALL
-	100233695	HIGH LIMIT THERMOSTAT BULB WELL, 3/8 NPT	ALL
-	100173747	LOW WATER CUT-OFF, MANUAL RESET, (OPTIONAL)	ALL
-	100173748	LOW WATER CUT-OFF, AUTO RESET, (OPTIONAL)	ALL
-	100208662	LOW WATER CUT-OFF PROBE, (OPTIONAL)	ALL
-	100277801	LOW WATER CUT-OFF BOOT, (OPTIONAL)	ALL
LOCH-HEAT TILE			
37	100145343	LOCH-HEAT TILE, FRONT HEAD SIDE	ALL
38	100145344	LOCH-HEAT TILE, REAR HEAD SIDE	ALL
39	100145346	LOCH-HEAT TILE, DIVIDER	ALL
40	100145351	LOCH-HEAT TILE, FRONT DOOR	992
40	100145352	LOCH-HEAT TILE, FRONT DOOR	1262
40	100145353	LOCH-HEAT TILE, FRONT DOOR LEFT	1442
40	100145354	LOCH-HEAT TILE, FRONT DOOR RIGHT	1442
40	100145401	LOCH-HEAT TILE, FRONT DOOR LEFT	1802
40	100145356	LOCH-HEAT TILE, FRONT DOOR RIGHT	1802
40	100145357	LOCH-HEAT TILE, FRONT DOOR LEFT	2072
40	100145358	LOCH-HEAT TILE, FRONT DOOR RIGHT	2072
41	100145337	LOCH-HEAT TILE, BACK	992
41	100145338	LOCH-HEAT TILE, BACK	1262
41	100145339	LOCH-HEAT TILE, BACK LEFT	1442
41	100145340	LOCH-HEAT TILE, BACK LEFT	1802
41	100145341	LOCH-HEAT TILE, BACK LEFT	2072
41	100145342	LOCH-HEAT TILE, BACK RIGHT	1442 - 2072
42	100145312	INSULATION PAD, TOP	992
42	100145314	INSULATION PAD, TOP	1262
42	100145568	INSULATION PAD, TOP	1442
42	100145316	INSULATION PAD, TOP	1802
42	100145570	INSULATION PAD, TOP	2072
43	100145345	LOCH-HEAT TILE, LEFT BOTTOM	992
43	100145347	LOCH-HEAT TILE, MIDDLE BOTTOM	992
43	100145348	LOCH-HEAT TILE, RIGHT BOTTOM	992
43	100145349	LOCH-HEAT TILE, LEFT BOTTOM	1262
43	100145347	LOCH-HEAT TILE, MIDDLE BOTTOM (2)	1262
43	100145350	LOCH-HEAT TILE, RIGHT BOTTOM	1262
43	100145361	LOCH-HEAT TILE, LEFT BOTTOM	1442
43	100145347	LOCH-HEAT TILE, MIDDLE BOTTOM (2)	1442
43	100145362	LOCH-HEAT TILE, RIGHT BOTTOM	1442
43	100145363	LOCH-HEAT TILE, LEFT BOTTOM	1802
43	100145347	LOCH-HEAT TILE, MIDDLE BOTTOM (3)	1802
43	100145364	LOCH-HEAT TILE, RIGHT BOTTOM	1802
43	100145365	LOCH-HEAT TILE, LEFT BOTTOM	2072
43	100145347	LOCH-HEAT TILE, MIDDLE BOTTOM (3)	2072
43	100145366	LOCH-HEAT TILE, MIDDLE BOTTOM (1)	2072
43	100145367	LOCH-HEAT TILE, RIGHT BOTTOM	2072
JACKET ASSEMBLIES			
44	100152307	JACKET, OUTER FRONT UPPER MIDDLE	ALL
45	100152572	JACKET, OUTER FRONT UPPER LEFT	ALL
46	100152308	JACKET, OUTER FRONT UPPER RIGHT	992
46	100152309	JACKET, OUTER FRONT UPPER RIGHT	1262
46	100152310	JACKET, OUTER FRONT UPPER RIGHT	1442
46	100152311	JACKET, OUTER FRONT UPPER RIGHT	1802
46	100152312	JACKET, OUTER FRONT UPPER RIGHT	2072
47	100152560	JACKET, OUTER FRONT LOWER	992
47	100152561	JACKET, OUTER FRONT LOWER	1262
47	100152562	JACKET, OUTER FRONT LOWER	1442
PLEASE HAVE MODEL AND SERIAL NUMBER WHEN ORDERING PARTS NOTE: CH = BOILER, CF = WATER HEATER *ITEMS DENOTE SUGGESTED INVENTORY PARTS			

ITEM NO.	PART NO.	DESCRIPTION	MODEL NO.
JACKET ASSEMBLIES (CONTINUED)			
47	100152563	JACKET, OUTER FRONT LOWER	1802
47	100152564	JACKET, OUTER FRONT LOWER	2072
48	100152553	JACKET, OUTER REAR HEAD	ALL
49	100152550	JACKET, OUTER LEFT LOWER HEAD	ALL
50	100152555	JACKET, OUTER TOP	992
50	100152556	JACKET, OUTER TOP	1262
50	100152557	JACKET, OUTER TOP	1442
50	100152558	JACKET, OUTER TOP	1802
50	100152559	JACKET, OUTER TOP	2072
51	100152313	DOOR, COMBUSTION CHAMBER	992
51	100152314	DOOR, COMBUSTION CHAMBER	1262
51	100152315	DOOR, COMBUSTION CHAMBER	1142
51	100152316	DOOR, COMBUSTION CHAMBER	1802
51	100152317	DOOR, COMBUSTION CHAMBER	2072

PLEASE HAVE MODEL AND SERIAL NUMBER WHEN ORDERING PARTS
NOTE: CH = BOILER, CF = WATER HEATER
*ITEMS DENOTE SUGGESTED INVENTORY PARTS

NOTES

NOTES

