



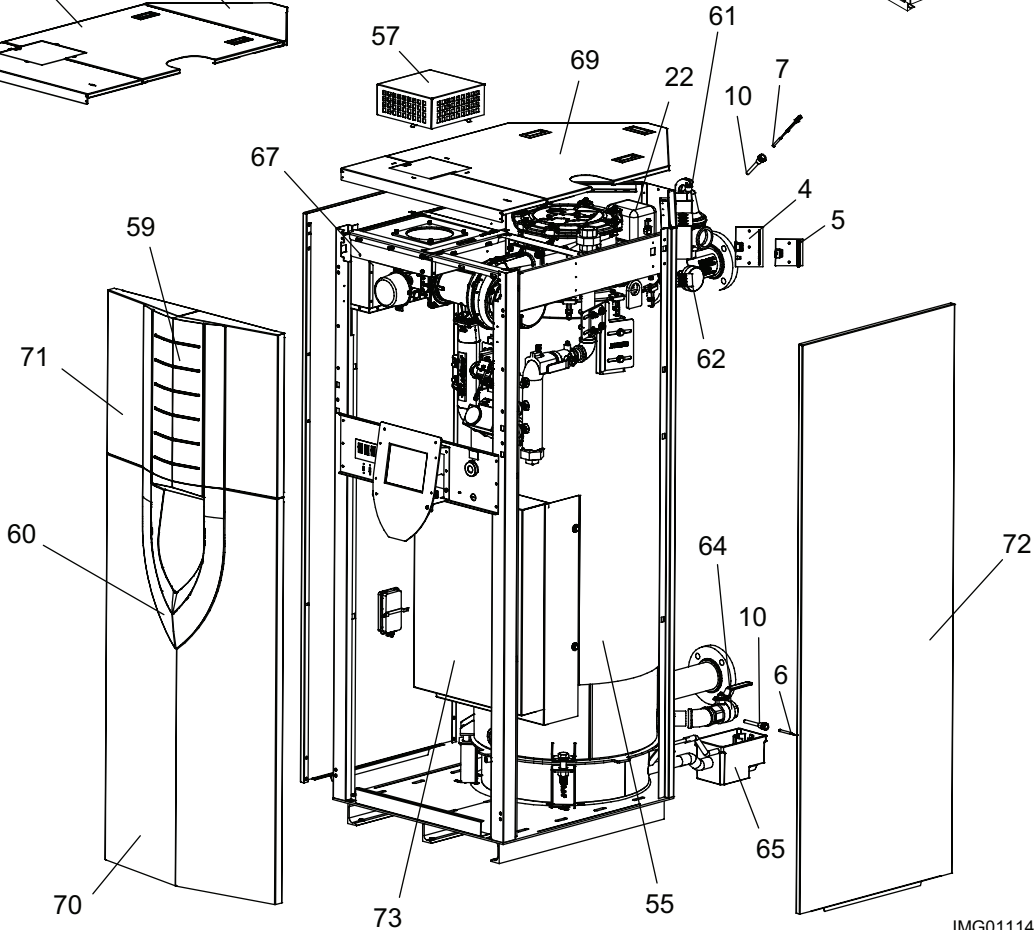
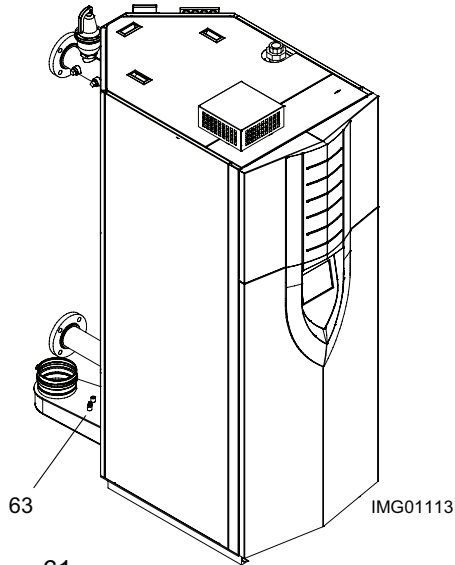
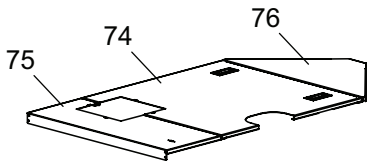
Lochinvar[®]
HIGH EFFICIENCY BOILERS & WATER HEATERS

PARTS & SERVICE DEPARTMENT
Nashville, Tennessee
877-554-5544 • Fax: 615-882-2918
parts_team@lochinvar.com
www.Lochinvar.com

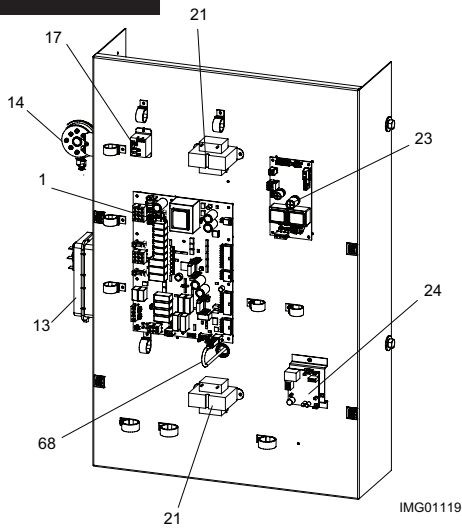
Replacement Parts List

Crest[®]
Heating Boilers
FBN(L) 751 - 2001
Series 100 - 101 & 110 - 111

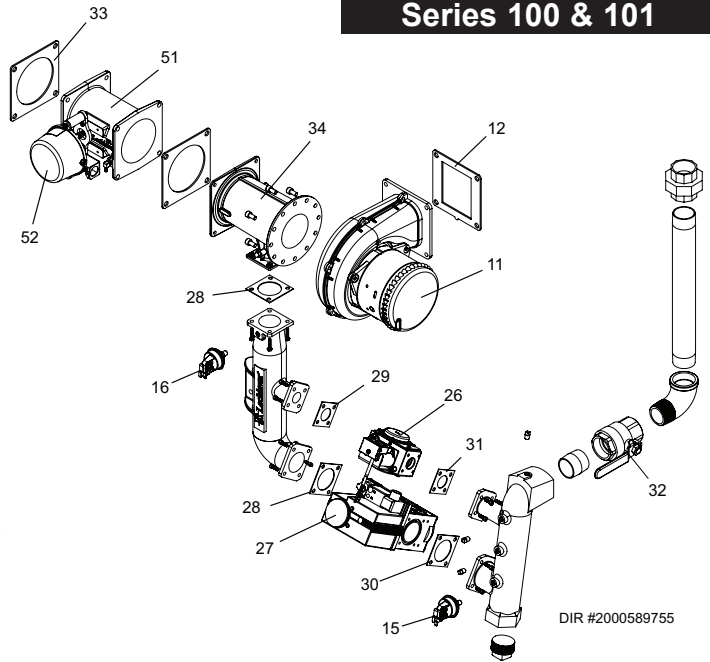
Models 1501 - 2001 Only:



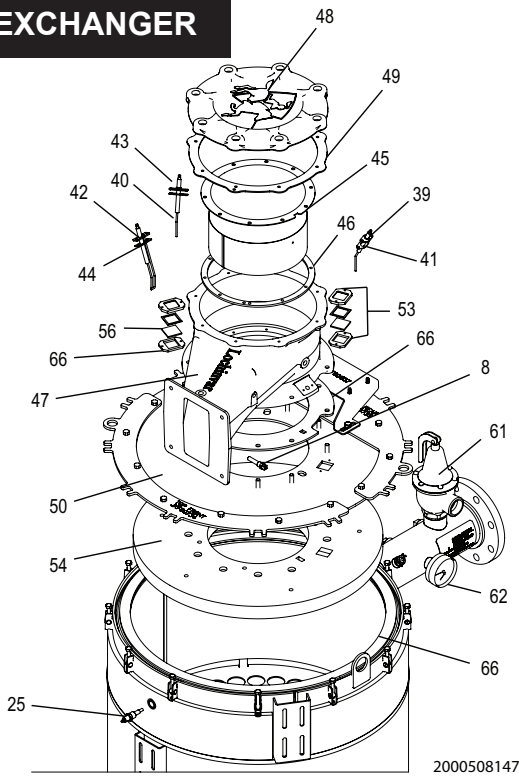
CONTROL PANEL



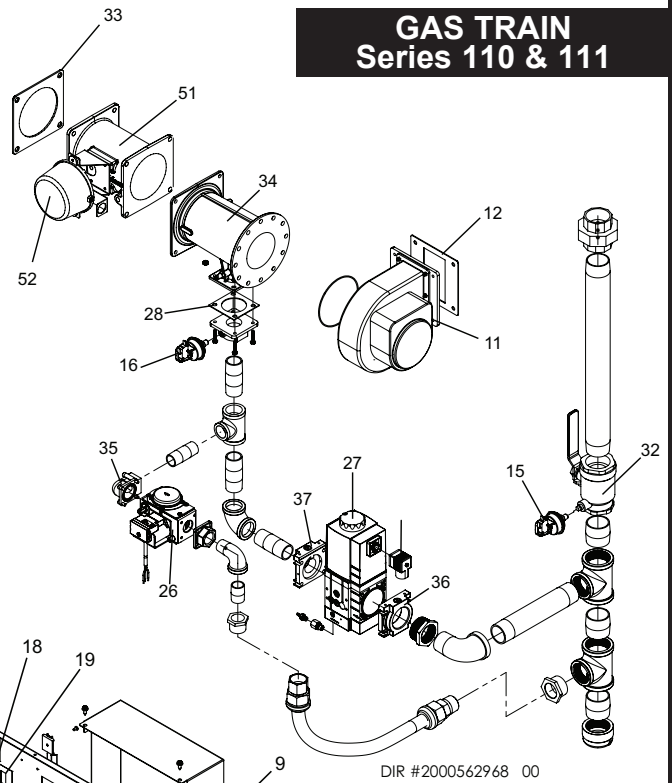
GAS TRAIN Series 100 & 101



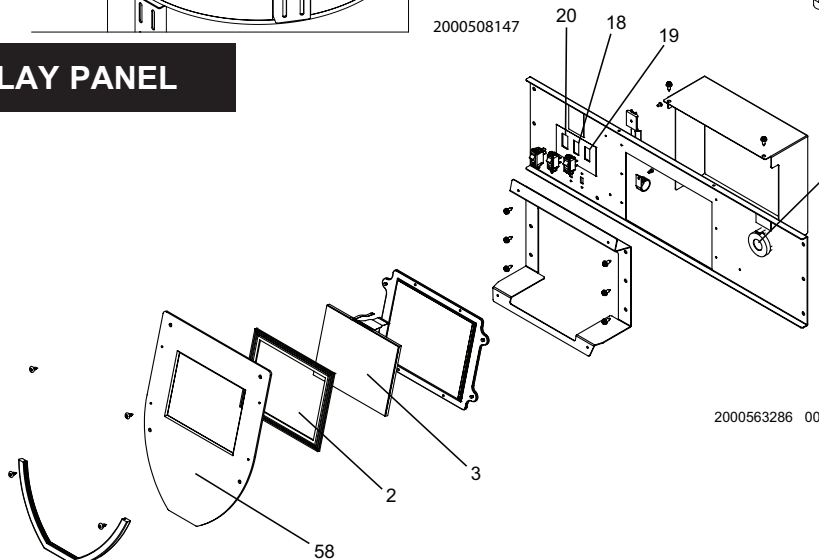
HEAT EXCHANGER



GAS TRAIN Series 110 & 111



DISPLAY PANEL



ITEM NO.	PART NO.	DESCRIPTION	MODEL
CONTROLS (CONTINUED)			
1	100277781*	INTEGRATED CONTROL BOARD (BEGINNING SERIAL #1540)	FB 751-1251
1	100277770*	INTEGRATED CONTROL BOARD (BEGINNING SERIAL #1540)	FB 1501-2001
2	100311232	GASKET, USER INTERFACE DISPLAY	ALL
3	100311038	DISPLAY INTERFACE ASSEMBLY	ALL
4	100208481*	LOW VOLTAGE CONTROL BOARD	ALL
5	100208476*	LOW VOLTAGE CONTROL BOARD	ALL
6	100208552*	SENSOR, SYSTEM / INLET	ALL
7	100208557*	SENSOR, DUAL OUTLET	ALL
8	100208558*	SENSOR, PREMIX THERMOSTAT LIMIT	ALL
9	100271315*	HIGH LIMIT	ALL
10	100233695*	BULB WELL, SYSTEM / INLET / OUTLET	ALL
-	100233613	BULB WELL, SENSOR, PREMIX TSTAT LIMIT	ALL
11	100073294	FAN ASSEMBLY	FB 751-1251
11	100267460	FAN ASSEMBLY	FB 1501-2001
12	100208089*	GASKET, FAN	FB 751-1251
12	100277796*	GASKET, FAN	FB 1501-2001
13	100277772*	PRESSURE SWITCH - 4.1" WATER COLUMN	ALL
14	100289704*	PRESSURE SWITCH - 5.8" WATER COLUMN	FB 751-1251
14	100289706*	PRESSURE SWITCH - 2.5" WATER COLUMN	FB 1501-2001
15	100208385*	PRESSURE SWITCH - 3.0" WATER COLUMN	ALL
-	100274744*	PRESSURE SWITCH - 27.0" WATER COLUMN (UPSTREAM) (NOT PICTURED)	ALL
16	100332662	PRESSURE SWITCH - 2.25" WATER COLUMN (DOWNSTREAM)	ALL
17	100208509*	RELAY, 120VAC, 60HZ, 10.8 AMP	ALL
18	100277797	MOMENTARY SWITCH, RED - 20 AMP, 125 VOLT	ALL
19	100277798	MOMENTARY SWITCH, BLACK - 20 AMP, 125 VOLT	ALL
20	100271316	ON / OFF SWITCH, RED	ALL
21	100208230	TRANSFORMER, 24V, 40VA	ALL
22	100341773	SPARK GENERATOR, DANFOSS (BEGINNING SERIAL #2102)	ALL
22	100346633	SPARK GENERATOR, RETROFIT (PRIOR TO SERIAL #2102)	ALL
23	100275047	BACNET BOARD (BEGINNING SERIAL #1540)	ALL
24	100173747	LOW WATER CUTOFF, MANUAL RESET	ALL
25	100320791	LOW WATER CUTOFF (BEGINNING SERIAL #2004)	ALL
25	100277756	PROBE, LWCO (PRIOR TO SERIAL #2004)	ALL
-	100277801	BOOT, LWCO	ALL
GAS TRAIN ASSEMBLIES			
26	100073358	GAS VALVE ASSEMBLY, NAT - SMALL	FB 751
26	100073359	GAS VALVE ASSEMBLY, NAT - SMALL	FB 1001
26	100073360	GAS VALVE ASSEMBLY, NAT - SMALL (SERIES 100)	FB 1251
26	100267412	GAS VALVE ASSEMBLY, NAT - SMALL (SERIES 100)	FB 1501
26	100267413	GAS VALVE ASSEMBLY, NAT - SMALL (SERIES 100)	FB 1751
26	100267414	GAS VALVE ASSEMBLY, NAT - SMALL (SERIES 100)	FB 2001
26	100310375	GAS VALVE ASSEMBLY, NAT - SMALL (SERIES 110)	FB 1251-2001
26	100073364	GAS VALVE ASSEMBLY, LP - SMALL	FB 751
26	100073365	GAS VALVE ASSEMBLY, LP - SMALL	FB 1001
26	100073366	GAS VALVE ASSEMBLY, LP - SMALL (SERIES 101)	FB 1251
26	100267415	GAS VALVE ASSEMBLY, LP - SMALL (SERIES 101)	FB 1501
26	100267416	GAS VALVE ASSEMBLY, LP - SMALL (SERIES 101)	FB 1751
26	100267417	GAS VALVE ASSEMBLY, LP - SMALL (SERIES 101)	FB 2001
26	100310375	GAS VALVE ASSEMBLY, LP - SMALL (SERIES 111)	FB 1251-2001
27	100073370	GAS VALVE ASSEMBLY, NAT - LARGE	FB 751
27	100073371	GAS VALVE ASSEMBLY, NAT - LARGE	FB 1001
27	100073372	GAS VALVE ASSEMBLY, NAT - LARGE (SERIES 100)	FB 1251
27	100267418	GAS VALVE ASSEMBLY, NAT - LARGE (SERIES 100)	FB 1501
27	100267419	GAS VALVE ASSEMBLY, NAT - LARGE (SERIES 100)	FB 1751
27	100310377	GAS VALVE ASSEMBLY, NAT - LARGE (SERIES 110)	FB 1251-1751
27	100267420	GAS VALVE ASSEMBLY, NAT - LARGE (SERIES 100)	FB 2001
27	100171973	GAS VALVE ASSEMBLY, NAT - LARGE (SERIES 110)	FB 2001
27	100073549	GAS VALVE ASSEMBLY, LP - LARGE	FB 751
27	100073550	GAS VALVE ASSEMBLY, LP - LARGE	FB 1001
27	100073551	GAS VALVE ASSEMBLY, LP - LARGE (SERIES 101)	FB 1251
27	100267421	GAS VALVE ASSEMBLY, LP - LARGE (SERIES 101)	FB 1501
27	100267422	GAS VALVE ASSEMBLY, LP - LARGE (SERIES 101)	FB 1751
27	100310377	GAS VALVE ASSEMBLY, LP - LARGE (SERIES 111)	FB 1251-1751
27	100267423	GAS VALVE ASSEMBLY, LP - LARGE (SERIES 101)	FB 2001
27	100171973	GAS VALVE ASSEMBLY, LP - LARGE (SERIES 111)	FB 2001
28	100208105*	GASKET, GAS VALVE / VENTURI (SERIES 100, 101, 110, & 111)	ALL

PLEASE HAVE MODEL AND SERIAL NUMBER WHEN ORDERING PARTS
***ITEMS DENOTE SUGGESTED INVENTORY PARTS**

ITEM NO.	PART NO.	DESCRIPTION	MODEL
GAS TRAIN ASSEMBLIES (CONTINUED)			
29	100289499*	GASKET, GAS TRAIN (SERIES 100 & 101)	ALL
32	100294593	1-1/4" GAS SHUT-OFF VALVE W/ TAP (SERIES 100 & 101)	FB 751-1251
32	100288549	1-1/2" GAS SHUT-OFF VALVE W/ TAP (SERIES 100 & 101)	FB 1501-2001
32	100288549	1-1/2" GAS SHUT-OFF VALVE W/ TAP (SERIES 110 & 111)	FB 1251-2001
33	100208089*	GASKET, VENTURI	ALL
34	100288548	VALVE, VENTURI	FB 751
34	100288481	VALVE, VENTURI	FB 1001-1251
34	100294592	VALVE, VENTURI	FB 1501-1751
34	100274223	VALVE, VENTURI	FB 2001
35	100287996	FLANGE, GAS VALVE, 3/4 NPT, 90 DEG (SERIES 110 & 111)	FB 1251-2001
36	100310379	FLANGE, GAS VALVE, 1-1/2 NPT, DUNGS (SERIES 110 & 111)	FB 1251-1751
37	100310376	SHUTTER, GAS VALVE, 1 NPT (SERIES 110 & 111)	FB 1251-1751
37	100274758	SHUTTER, GAS VALVE, 1-1/2 NPT (SERIES 110 & 111)	FB 2001
38	100310378	CONNECTOR, DUNGS, GAS VALVE (SERIES 110 & 111)	FB 1251-2001
PILOT AND BURNER ASSEMBLIES			
39	100073343*	SENSOR, FLAME W/ GASKET (QTY. 2 FOR UNITS PRIOR TO SERIAL #3515)	ALL
40	100304988	GASKET, FLAME SENSOR	ALL
41	100322257	GASKET, FLAME SENSOR	ALL
42	100073342*	IGNITOR W/ GASKET	FB 751-1251
42	100265150*	IGNITOR W/ GASKET	FB 1501-2001
43	100279407*	FLAME SENSOR, REAR, W/ GASKET & SCREWS (BEGINNING SERIAL #3515)	ALL
44	100322258	GASKET, IGNITOR	FB 751-1251
44	100277932	GASKET, IGNITOR	FB 1501-2001
45	100072640	BURNER W/ GASKET	FB 751
45	100072641	BURNER W/ GASKET	FB 1001
45	100073280	BURNER W/ GASKET	FB 1251
45	100073281	BURNER W/ GASKET	FB 1501
45	100073282	BURNER W/ GASKET	FB 1751
45	100073283	BURNER W/ GASKET	FB 2001
46	100277963*	GASKET, BURNER	ALL
47	100073768	GAS/AIR MANIFOLD W/ GASKET	FB 751-1251
47	100073794	GAS/AIR MANIFOLD W/ GASKET	FB 1501-2001
48	100288523	COVER, MANIFOLD	ALL
49	100277962*	GASKET, MANIFOLD COVER	ALL
50	100075411	HEAT EXCHANGER DOOR ASSEMBLY	FB 751
50	100075413	HEAT EXCHANGER DOOR ASSEMBLY	FB 1001
50	100076515	HEAT EXCHANGER DOOR ASSEMBLY	FB 1251
50	100267481	HEAT EXCHANGER DOOR ASSEMBLY	FB 1501
50	100267482	HEAT EXCHANGER DOOR ASSEMBLY	FB 1751
50	100267483	HEAT EXCHANGER DOOR ASSEMBLY	FB 2001
51	100161834	AIR METERING VALVE	FB 751
51	100161835	AIR METERING VALVE	FB 1001
51	100161837	AIR METERING VALVE	FB 1251
51	100161836	AIR METERING VALVE	FB 1501-1751
51	100161838	AIR METERING VALVE	FB 2001
52	100318923	AIR METERING VALVE MOTOR	FB 751-2001
MISCELLANEOUS			
53	100163214	SIGHT GLASS KIT	ALL
54	100288672	FIBERBOARD, BURNER	FB 751
54	100288673	FIBERBOARD, BURNER	FB 1001
54	100288674	FIBERBOARD, BURNER	FB 1251
54	100288675	FIBERBOARD, BURNER	FB 1501
54	100288676	FIBERBOARD, BURNER	FB 1751
54	100288677	FIBERBOARD, BURNER	FB 2001
55	100288679	INSULATION, HEX WRAP	FB 751
55	100288680	INSULATION, HEX WRAP	FB 1001
55	100288681	INSULATION, HEX WRAP	FB 1251
55	100288682	INSULATION, HEX WRAP	FB 1501
55	100288683	INSULATION, HEX WRAP	FB 1751
55	100289400	INSULATION, HEX WRAP	FB 2001
56	100233667	GASKET, SIGHT GLASS	ALL
57	100153531	AIR INLET COVER	ALL
58	100163269	DISPLAY MOUNTING PLATE	ALL
59	100289541	TOP BEZEL	ALL
60	100289540	DISPLAY BEZEL	ALL
61	100208448	PRESSURE RELIEF VALVE, 1" X 1-1/4", 50 PSI	ALL

PLEASE HAVE MODEL AND SERIAL NUMBER WHEN ORDERING PARTS
*ITEMS DENOTE SUGGESTED INVENTORY PARTS

ITEM NO.	PART NO.	DESCRIPTION	MODEL
MISCELLANEOUS (CONTINUED)			
62	100208153	GAUGE, T&P, 0-75 PSI, 50-320F, 3", 1/2 NPT	ALL
63	100208561*	SENSOR, FLUE TEMP	ALL
64	100277775	GAS CUT OFF VALVE 1 1/2"	ALL
65	100277718	CONDENSATE TRAP	ALL
66	100289492*	KIT, GASKET SET (SIGHT GLASS / AIR MANIFOLD / HEX PLATE)	FB 751
66	100289493*	KIT, GASKET SET (SIGHT GLASS / AIR MANIFOLD / HEX PLATE)	FB 1001
66	100289494*	KIT, GASKET SET (SIGHT GLASS / AIR MANIFOLD / HEX PLATE)	FB 1251
66	100289495*	KIT, GASKET SET (SIGHT GLASS / AIR MANIFOLD / HEX PLATE)	FB 1501
66	100289496*	KIT, GASKET SET (SIGHT GLASS / AIR MANIFOLD / HEX PLATE)	FB 1751
66	100289497*	KIT, GASKET SET (SIGHT GLASS / AIR MANIFOLD / HEX PLATE)	FB 2001
67	100289433*	AIR FILTER, 1" X 14" X 14"	FB 751-1251
67	100289435*	AIR FILTER, 1" X 16" X 20"	FB 1501-2001
68	100277806	USB CABLE	ALL
-	100277807*	GASKET, AIR INLET COVER	ALL
-	100294590	PLATE ASSEMBLY, INLET ADAPTER	ALL
-	100276810	CABLE, RIBBON	ALL
-	100208633	WIRE HARNESS, SPARK ELECTRODE	ALL
-	100208631	WIRE HARNESS, FLAME SENSOR ELECTRODE	ALL
-	100208808*	FUSE, 1.25A / 250V	ALL
-	100208231*	FUSE, 3.15A / 250V	ALL
-	100208232*	FUSE, 5A / 250V	ALL
-	100208834	OUTDOOR AIR SENSOR	ALL
-	100277791	CONDENSATE HOSE, BRAIDED, 3/8"	ALL
-	100277792	CONDENSATE HOSE, BRAIDED, 1"	ALL
-	100274793	REFERENCE HOSE, 1/8" (ORDER BY FOOT)	ALL
-	100208336	ALUMINUM TUBING, 1/4"	ALL
-	100285988	SNAP-IN & LATCH GRABBER CATCH (BEGINNING 07/30/2016)	ALL
-	100208308	DOOR CATCH (PRIOR TO 07/30/2016)	ALL
-	100232688	DOOR STRIKE	ALL
-	100274737	ANTENNA, USB ADAPTER, WIRELESS (BEGINNING SERIAL #1540)	ALL
-	100289696	CABLE, USB, 2.0, 12" (BEGINNING SERIAL #1540)	ALL
-	100289697	CABLE, USB, 2.0, 60" (BEGINNING SERIAL #1540)	ALL
-	100288513	PANEL MOUNTING CABLE (BEGINNING SERIAL #1540)	ALL
-	100269755	KIT, RE-SPARK RETROFIT (PRIOR TO SERIAL #1540)	FB 751-1251
-	100269756	KIT, RE-SPARK RETROFIT (PRIOR TO SERIAL #1540)	FB 1501-2001
JACKET ASSEMBLIES			
69	100161436	JACKET, OUTER TOP	FB 751
69	100161428	JACKET, OUTER TOP	FB 1001
69	100161437	JACKET, OUTER TOP	FB 1251
70	100161426	JACKET, OUTER FRONT LOWER DOOR	ALL
71	100161435	JACKET, OUTER FRONT UPPER DOOR	ALL
72	100161439	JACKET, OUTER LEFT & RIGHT SIDE	FB 751-1251
72	100267484	JACKET, OUTER LEFT & RIGHT SIDE	FB 1501-2001
73	100161427	CONTROL PANEL COVER	ALL
74	100068797	JACKET, TOP, OUTER, MIDDLE	FB 1501
75	100190521	JACKET, TOP, OUTER, FRONT	FB 1751
76	100190822	JACKET, TOP, OUTER, REAR	FB 2001
PLEASE HAVE MODEL AND SERIAL NUMBER WHEN ORDERING PARTS			
*ITEMS DENOTE SUGGESTED INVENTORY PARTS			

