

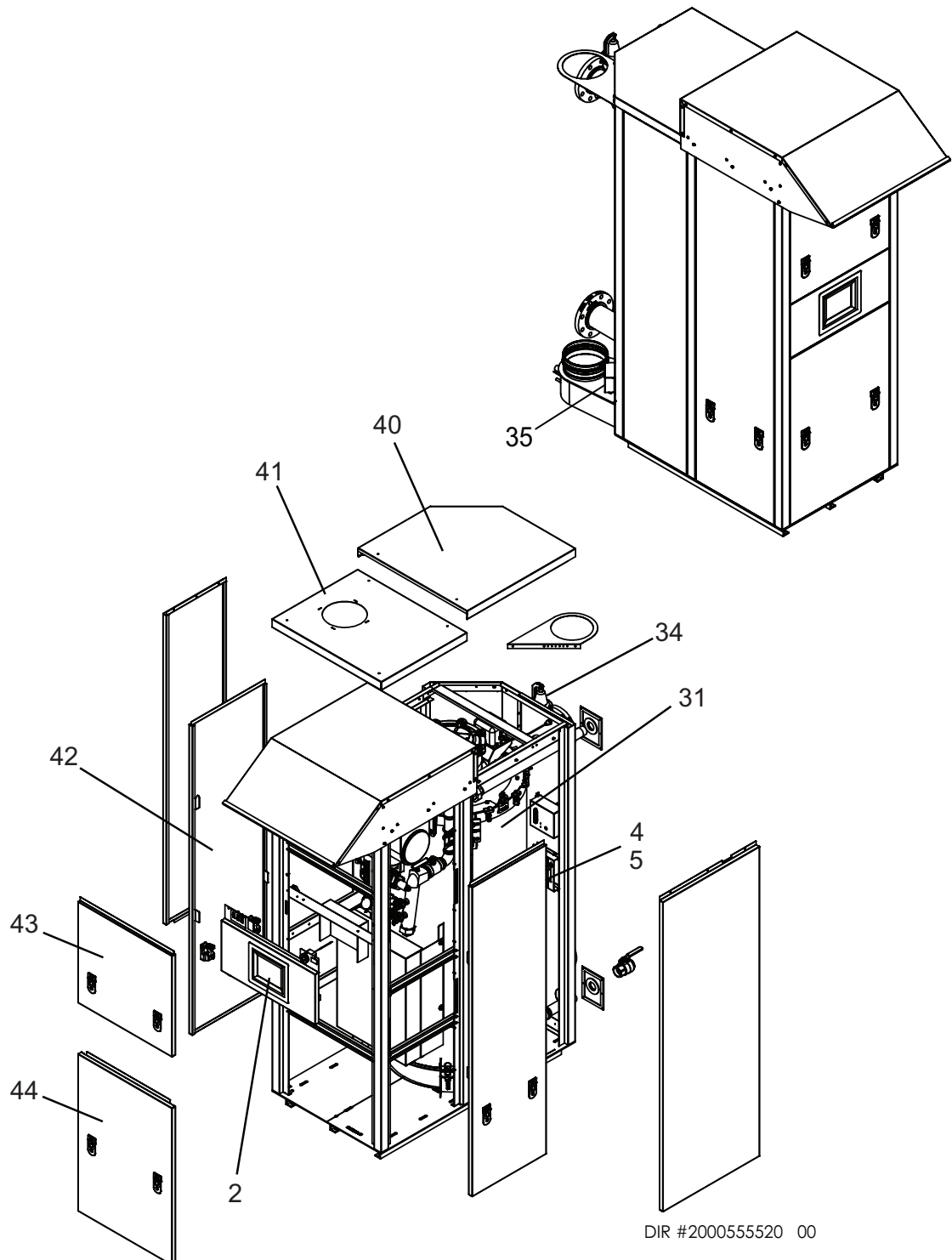


**Lochinvar**<sup>®</sup>  
HIGH EFFICIENCY BOILERS & WATER HEATERS

**PARTS & SERVICE DEPARTMENT**  
Nashville, Tennessee  
877-554-5544 • Fax: 615-882-2918  
parts\_team@lochinvar.com  
www.Lochinvar.com

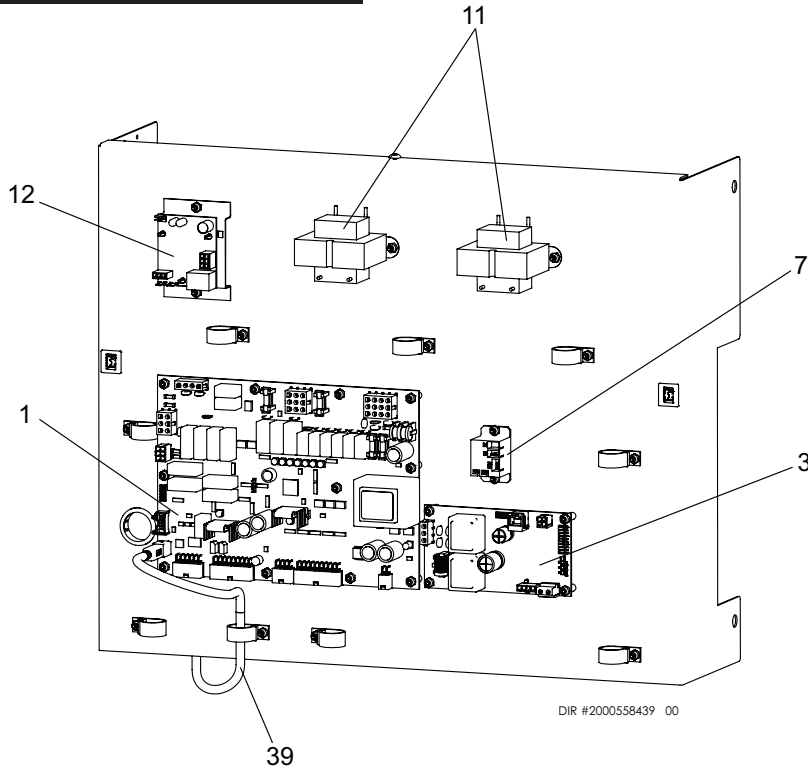
## Replacement Parts List

**Outdoor Crest**<sup>®</sup>  
Heating Boilers  
OFN(L) 2501 - 6001

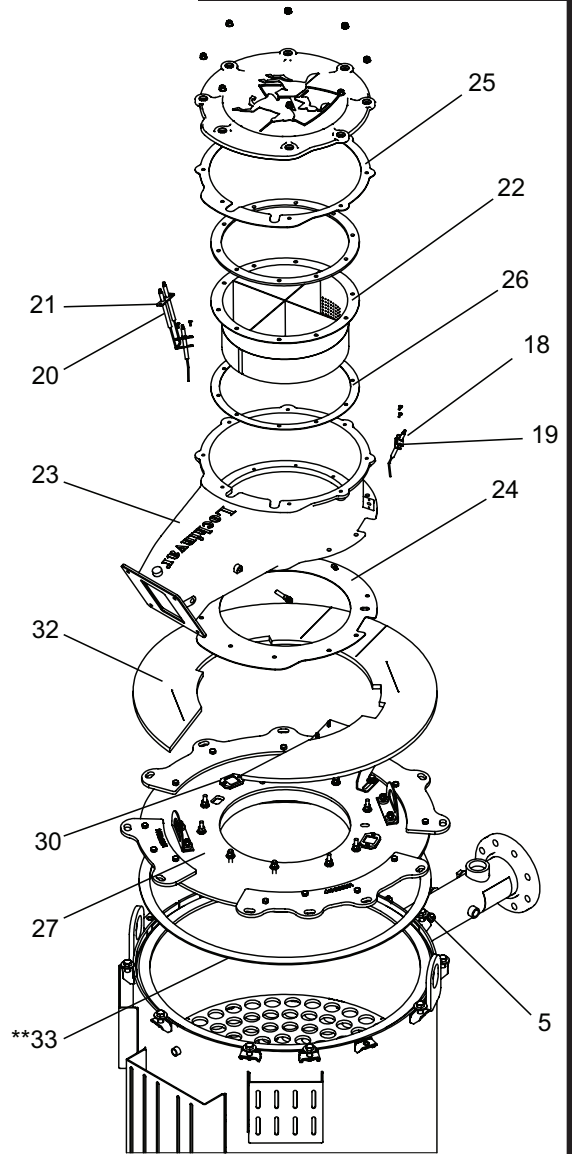


DIR #200055520 00

## CONTROL PANEL



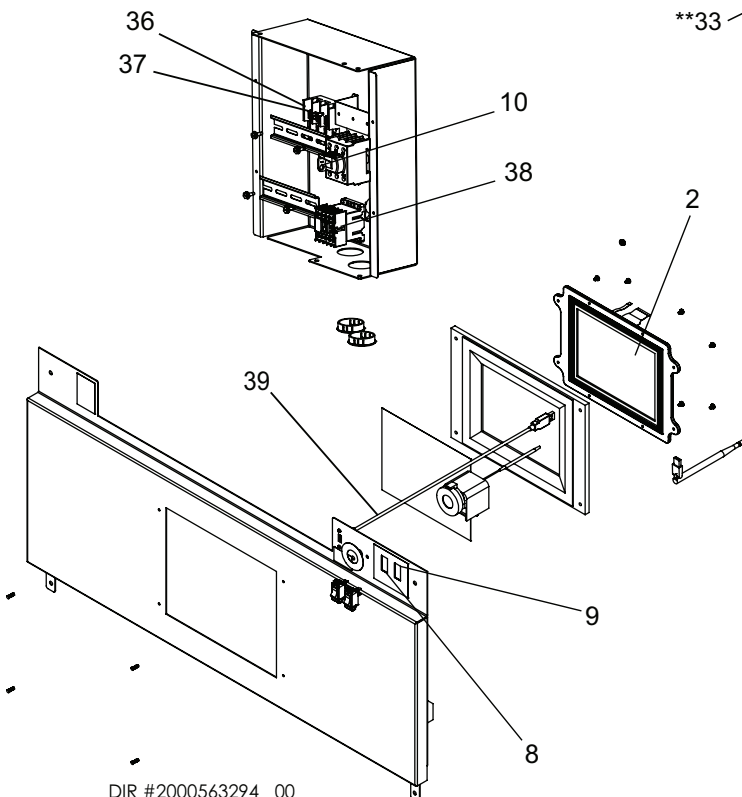
## HEAT EXCHANGER



DIR #2000541196 00

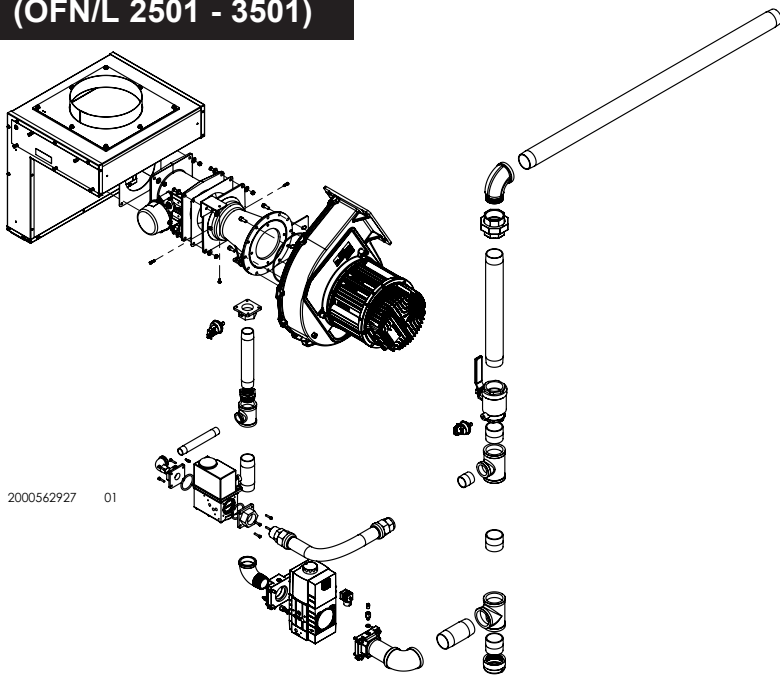
\*\*The Gasket Set includes item numbers 19, 21, 24, and 30 (bottom gasket).

## DISPLAY PANEL

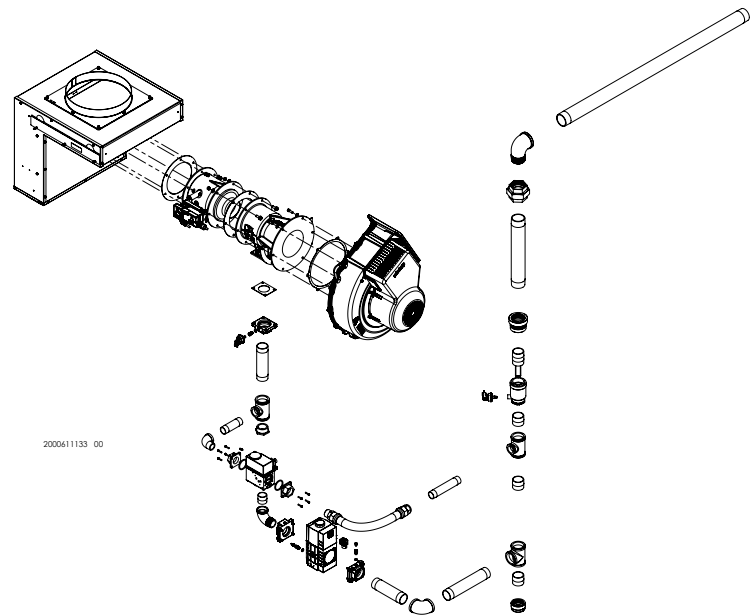


DIR #2000563294 00

**GAS TRAIN  
(OFN/L 2501 - 3501)**



**GAS TRAIN  
(OFN/L 4001 - 6001)**



ITEM NO.	PART NO.	DESCRIPTION	MODEL
<b>CONTROLS</b>			
1	<b>100311033*</b>	INTEGRATED CONTROL	OF 2501 - 3501
1	<b>100313983*</b>	INTEGRATED CONTROL	OF 4001 - 6001
2	100311038	DISPLAY INTERFACE ASSEMBLY	ALL
-	100311232	GASKET, USER INTERFACE DISPLAY	ALL
3	100275047	BACNET BOARD	ALL
-	<b>100208481*</b>	LOW VOLTAGE CONTROL BOARD	ALL
-	<b>100208476*</b>	LOW VOLTAGE CONTROL BOARD	ALL
4	<b>100208552*</b>	SENSOR, SYSTEM / INLET	ALL
-	<b>100208557*</b>	SENSOR, DUAL OUTLET	ALL
-	100208558	SENSOR, PREMIX THERMOSTAT LIMIT	ALL
-	<b>100271315*</b>	HIGH LIMIT	ALL
5	<b>100233695*</b>	BULB WELL, SYSTEM / INLET / OUTLET	ALL
-	100233613	BULB WELL, SENSOR, PREMIX TSTAT LIMIT	ALL
6	100144990	FAN ASSEMBLY	OF 2501 - 3501
6	100304907	FAN ASSEMBLY	OF 4001 - 6001

PLEASE HAVE MODEL AND SERIAL NUMBER WHEN ORDERING PARTS  
\*ITEMS DENOTE SUGGESTED INVENTORY PARTS

ITEM NO.	PART NO.	DESCRIPTION	MODEL
<b>CONTROLS (CONTINUED)</b>			
-	<a href="#">100274709*</a>	GASKET, BLOWER	OF 2501 - 3501
-	<a href="#">100233698*</a>	GASKET, VENTURI	OF 2501 - 3501
-	<a href="#">100304944*</a>	GASKET, BURNER / FAN	OF 3501
-	<a href="#">100304945*</a>	GASKET, BLOWER	OF 4001 - 6001
10	<a href="#">100208385*</a>	LOW GAS PRESSURE SWITCH	ALL
10	<a href="#">100274744*</a>	HIGH GAS PRESSURE SWITCH	ALL
7	<a href="#">100208509*</a>	RELAY, 120VAC, 60HZ, 10.8 AMP	OF 4001 - 6001
8	<a href="#">100277797</a>	MOMENTARY SWITCH, RED - 20 AMP, 125 VOLT	ALL
9	<a href="#">100277798</a>	MOMENTARY SWITCH, BLACK - 20 AMP, 125 VOLT	ALL
10	<a href="#">100274739</a>	SWITCH, DISCONNECT	ALL
11	<a href="#">100208230</a>	TRANSFORMER, 24V, 40VA	ALL
-	<a href="#">100274743</a>	TRANSFORMER, SPARK	ALL
-	100320791	LOW WATER CUT-OFF	ALL
12	<a href="#">100173747</a>	LOW WATER CUT-OFF CONTROL	ALL
-	<a href="#">100277799</a>	PROBE, LWCO	ALL
-	<a href="#">100277801</a>	BOOT, LWCO	ALL
<b>GAS TRAIN ASSEMBLY</b>			
13	<a href="#">100304951</a>	GAS VALVE ASSEMBLY - LARGE	OF 2501 - 4001
13	<a href="#">100304954</a>	GAS VALVE ASSEMBLY - LARGE	OF 5001 - 6001
14	<a href="#">100304952</a>	GAS VALVE ASSEMBLY - SMALL	OF 2501 - 3001
14	<a href="#">100304953</a>	GAS VALVE ASSEMBLY - SMALL	OF 3501, 5001, 6001
14	<a href="#">100304955</a>	GAS VALVE ASSEMBLY - SMALL	OF 4001
15	<a href="#">100208105*</a>	GASKET, FLANGE VENTURI	OF 2501 - 3501
16	<a href="#">100233698*</a>	GASKET, FAN / VENTURI	OF 2501 - 3501
16	<a href="#">100289441*</a>	GASKET, FAN / VENTURI	OF 4001 - 6001
17	<a href="#">100274223</a>	VENTURI ASSEMBLY	OF 2501 - 3501
17	<a href="#">100306265</a>	VENTURI ASSEMBLY	OF 4001 - 6001
-	<a href="#">100289680</a>	VALVE, PROOF OF CLOSURE	OF 6001
-	<a href="#">100289691</a>	VALVE ACTUATOR, PROOF OF CLOSURE	OF 6001
-	100355640	GAS PRESSURE CHECK	ALL
<b>PILOT &amp; BURNER ASSEMBLIES</b>			
18	<a href="#">100279407*</a>	FLAME SENSOR W/ GASKET	ALL
19	<a href="#">100304988</a>	GASKET, FLAME SENSOR	ALL
20	<a href="#">100304989*</a>	IGNITOR W/ GASKET (PRIOR TO SERIAL #2102)	ALL
20	<a href="#">100340123*</a>	IGNITOR W/ GASKET, LARGE, 4 MM X 6.4 MM (BEGINNING SERIAL #2102)	ALL
20	100346411	IGNITOR W/ SPACER (PRIOR TO SERIAL #2102)	4001
20	100346410	IGNITOR W/ SPACER (BEGINNING SERIAL #2102)	4001
21	<a href="#">100305001</a>	GASKET, IGNITOR	ALL
-	100341773	SPARK GENERATOR, DANFOSS (BEGINNING SERIAL #2102)	ALL
-	100340125	SPARK GENERATOR, RETROFIT	ALL
22	100305002	BURNER ASSEMBLY W/ GASKETS	OF 2501
22	<a href="#">100305003</a>	BURNER ASSEMBLY W/ GASKETS	OF 3001
22	100305004	BURNER ASSEMBLY W/ GASKETS	OF 3501
22	<a href="#">100305005</a>	BURNER ASSEMBLY W/ GASKETS	OF 4001
22	<a href="#">100305007</a>	BURNER ASSEMBLY W/ GASKETS	OF 5001
22	100305006	BURNER ASSEMBLY W/ GASKETS	OF 6001
23	100305008	GAS / AIR MANIFOLD W/ GASKET	OF 2501
23	100328345	GAS / AIR MANIFOLD W/ GASKET	OF 3001 & 3501
23	<a href="#">100305009</a>	GAS / AIR MANIFOLD W/ GASKET	OF 4001 - 6001
24	<a href="#">100305010*</a>	GASKET, MANIFOLD	OF 2501 - 3501
24	<a href="#">100305011*</a>	GASKET, MANIFOLD	OF 4001 - 6001
25	<a href="#">100326229</a>	GASKET, MANIFOLD COVER	OF 2501 - 3501
25	<a href="#">100326272</a>	GASKET, MANIFOLD COVER	OF 4001 - 6001

**PLEASE HAVE MODEL AND SERIAL NUMBER WHEN ORDERING PARTS  
\*ITEMS DENOTE SUGGESTED INVENTORY PARTS**

ITEM NO.	PART NO.	DESCRIPTION	MODEL
<b>PILOT &amp; BURNER ASSEMBLIES (CONTINUED)</b>			
26	100318503	GASKET, BURNER MANIFOLD	OF 2501 - 3501
26	100318505	GASKET, BURNER MANIFOLD	OF 4001 - 6001
27	100305012	HEAT EXCHANGER DOOR ASSEMBLY	OF 2501 - 3001
27	100305014	HEAT EXCHANGER DOOR ASSEMBLY	OF 3501
27	100305015	HEAT EXCHANGER DOOR ASSEMBLY	OF 4001
27	100305016	HEAT EXCHANGER DOOR ASSEMBLY	OF 5001
27	100305017	HEAT EXCHANGER DOOR ASSEMBLY	OF 6001
28	100328774	AIR METERING VALVE	OF 2501
28	100328775	AIR METERING VALVE	OF 3001
28	100328776	AIR METERING VALVE	OF 3501
-	100318480	AIR METERING VALVE	OF 4001
-	100318501	AIR METERING VALVE	OF 5001
-	100318502	AIR METERING VALVE	OF 6001
29	100318923	AIR METERING VALVE MOTOR	OF 2501 - 3501
-	100332753	AIR METERING VALVE MOTOR	OF 4001 - 6001
<b>MISCELLANEOUS</b>			
30	100311165	SIGHT GLASS KIT	ALL
-	100304818	FIBERBOARD, BURNER	OF 2501 - 3001
-	100304819	FIBERBOARD, BURNER	OF 3501
-	100304820	FIBERBOARD, BURNER	OF 4001
-	100304861	FIBERBOARD, BURNER	OF 5001
-	100304862	FIBERBOARD, BURNER	OF 6001
31	100304863	INSULATION, HEX WRAP	OF 2501 - 3001
31	100304865	INSULATION, HEX WRAP	OF 3501
31	100304866	INSULATION, HEX WRAP	OF 4001
31	100304867	INSULATION, HEX WRAP	OF 5001
31	100304864	INSULATION, HEX WRAP	OF 6001
32	100304868	INSULATION, HEX TOP	OF 2501 - 3001
32	100304869	INSULATION, HEX TOP	OF 3501
32	100304870	INSULATION, HEX TOP	OF 4001
32	100304871	INSULATION, HEX TOP	OF 5001
32	100304872	INSULATION, HEX TOP	OF 6001
33	100304873*	GASKET SET	OF 2501 - 3001
33	100304874*	GASKET SET	OF 3501
33	100304875*	GASKET SET	OF 4001
33	100304876*	GASKET SET	OF 5001
33	100304877*	GASKET SET	OF 6001
-	100233667	GASKET, SIGHT GLASS TOP	ALL
-	100296212	AIR INLET COVER	OF 2501 - 3501
-	100300992	AIR INLET COVER	OF 4001
-	100295887	AIR INLET COVER	OF 5001 - 6001
-	100289693	LCD HOLDER	ALL
34	100274781	PRESSURE RELIEF VALVE, 1-1/2" X 1-1/4", 50 PSI	OF 2501 - 3001
34	100274785	PRESSURE RELIEF VALVE, 1-1/2" X 2", 50 PSI	OF 3501 - 4001
34	100274786	PRESSURE RELIEF VALVE, 2", 50 PSI	OF 5001
34	100289694	PRESSURE RELIEF VALVE, 2" X 2-1/2", 50 PSI	OF 6001
-	100208153*	GAUGE, T&P, 0-75 PSI, 50-320F, 3", 1/2 NPT	ALL
35	100208561*	SENSOR, FLUE TEMP	ALL
-	100297143*	CONDENSATE TRAP	ALL
-	100304887	FLEX GAS PIPE - 1"	OF 2501 - 3001
-	100288457	FLEX GAS PIPE - 1 1/4"	OF 3501 - 6001
36	100277773	FUSE BLOCK - 480 VOLT, 30 AMP	ALL
<b>PLEASE HAVE MODEL AND SERIAL NUMBER WHEN ORDERING PARTS *ITEMS DENOTE SUGGESTED INVENTORY PARTS</b>			

ITEM NO.	PART NO.	DESCRIPTION	MODEL
<b>MISCELLANEOUS (CONTINUED)</b>			
37	100277805*	FUSE, 30A 480V CLASS G	ALL
38	100274738	CONTACTOR, RELAY	ALL
39	100277806	USB CABLE	ALL
-	100277807	GASKET, AIR INLET COVER	OF 2501
-	100277719	GASKET, AIR INLET COVER	OF 3001 - 3501
-	100277777	GASKET, AIR INLET COVER	OF 4001
-	100277778	GASKET, AIR INLET COVER	OF 5001 - 6001
-	100208807*	FUSE - 1.25 AMP / 250V	ALL
-	100208231*	FUSE - 3.15A / 250V	ALL
-	100208232*	FUSE - 5A / 250V	ALL
-	100208834	OUTDOOR AIR SENSOR	ALL
-	100277791	CONDENSATE HOSE, BRAIDED, 3/8"	ALL
-	100277792	CONDENSATE HOSE, BRAIDED, 1"	ALL
-	100277793	SILICONE TUBING, 1/4"	ALL
-	100208336	ALUMINUM TUBING, 1/4"	ALL
-	100232751*	DOOR CATCH	ALL
-	100208818*	DOOR STRIKE	ALL
-	100274737	ANTENNA, USB ADAPTER, WIRELESS	ALL
-	100289696	CABLE, USB 2.0 - 12"	
-	100289697	CABLE, USB 2.0 - 60"	ALL
-	100288513	PANEL MOUNTING CABLE	ALL
-	100208400	AIR METERING VALVE PRESSURE SWITCH	OF 2501 - 3501
-	100354895	AIR METERING VALVE PRESSURE SWITCH	OF 4001 - 6001
-	100208399	AIR PRESSURE SWITCH	OF 2501 - 3501, 5001
-	100276801	AIR PRESSURE SWITCH	OF 4001 & 6001
-	100338737	OUTDOOR LABEL	ALL
-	100289435	AIR FILTER, 1" X 16" X 20" (UNIT REQUIRES TWO FILTERS, KIT CONTAINS <b>ONE</b> FILTER ONLY)	OF 2501 - 3501
-	100343864	AIR FILTER, 1" X 20" X 24" (UNIT REQUIRES TWO FILTERS, KIT CONTAINS <b>ONE</b> FILTER ONLY)	OF 4001 - 6001
<b>JACKET ASSEMBLIES</b>			
40	100313939	JACKET, TOP REAR	OF 2501 - 3001
40	100314665	JACKET, TOP REAR	OF 3501
40	100313940	JACKET, TOP REAR	OF 4001 - 5001
40	100313981	JACKET, TOP REAR	OF 6001
41	100313935	JACKET, TOP FRONT	OF 2501
41	100313936	JACKET, TOP FRONT	OF 3001
41	100314663	JACKET, TOP FRONT	OF 3501
41	100313937	JACKET, TOP FRONT	OF 4001
41	100314664	JACKET, TOP FRONT	OF 5001
41	100313938	JACKET, TOP FRONT	OF 6001
-	100314662	JACKET, TOP MIDDLE	OF 4001 - 5001
-	100313973	JACKET, TOP MIDDLE	OF 6001
42	100313956	JACKET, FRONT, LEFT & RIGHT SIDE	OF 2501 - 3001
42	100313958	JACKET, FRONT, LEFT & RIGHT SIDE	OF 3501 - 6001
43	100313952	JACKET, TOP DOOR	OF 2501 - 3001
43	100314666	JACKET, TOP DOOR	OF 3501
43	100313953	JACKET, TOP DOOR	OF 4001 - 5001
43	100313955	JACKET, TOP DOOR	OF 6001
<b>PLEASE HAVE MODEL AND SERIAL NUMBER WHEN ORDERING PARTS</b>			
<b>*ITEMS DENOTE SUGGESTED INVENTORY PARTS</b>			

ITEM NO.	PART NO.	DESCRIPTION	MODEL
<b>JACKET ASSEMBLIES</b>			
44	100313948	JACKET, BOTTOM DOOR	OF 2501 - 3001
44	100314668	JACKET, BOTTOM DOOR	OF 3501
44	100313950	JACKET, BOTTOM DOOR	OF 4001 - 5001
44	100313951	JACKET, BOTTOM DOOR	OF 6001
<b>PLEASE HAVE MODEL AND SERIAL NUMBER WHEN ORDERING PARTS</b>			
<b>*ITEMS DENOTE SUGGESTED INVENTORY PARTS</b>			

