



PARTS & SERVICE DEPARTMENT
 Nashville, Tennessee
 877-554-5544 • Fax: 615-882-2918
 parts_team@lochinvar.com
 www.lochinvar.com

Replacement Parts List

Epic Boiler & Combi

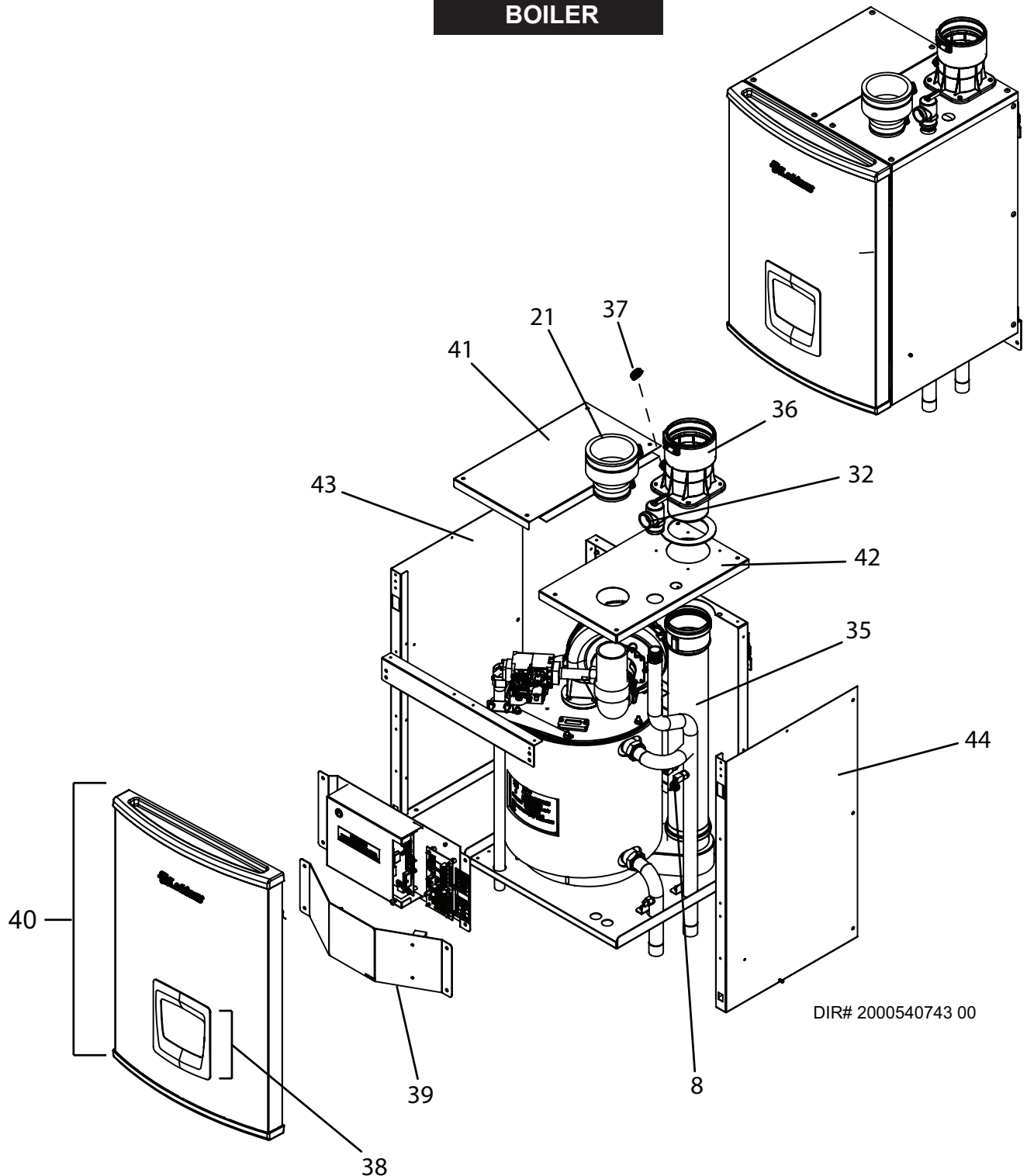
EPB 080 - 199 (N,L)

EPC 110 - 199 (N,L)

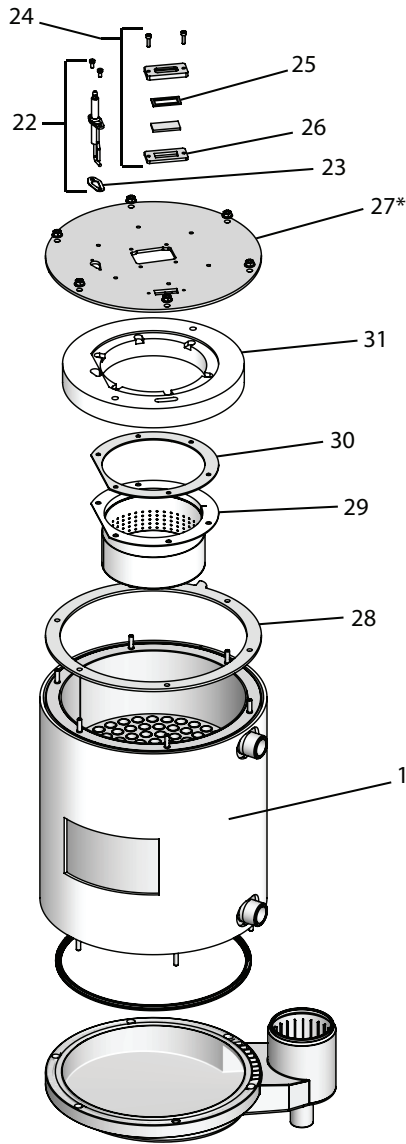
EFC 110 - 199 (N,L)

Series 100 - 101 & 110 - 111

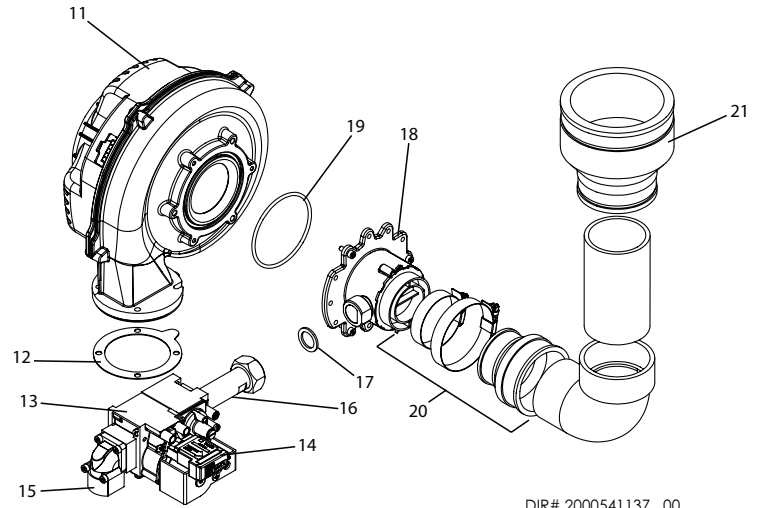
BOILER



HEAT EXCHANGER



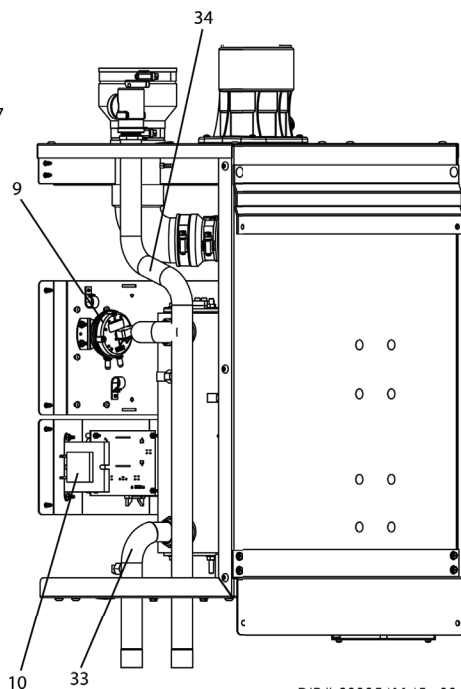
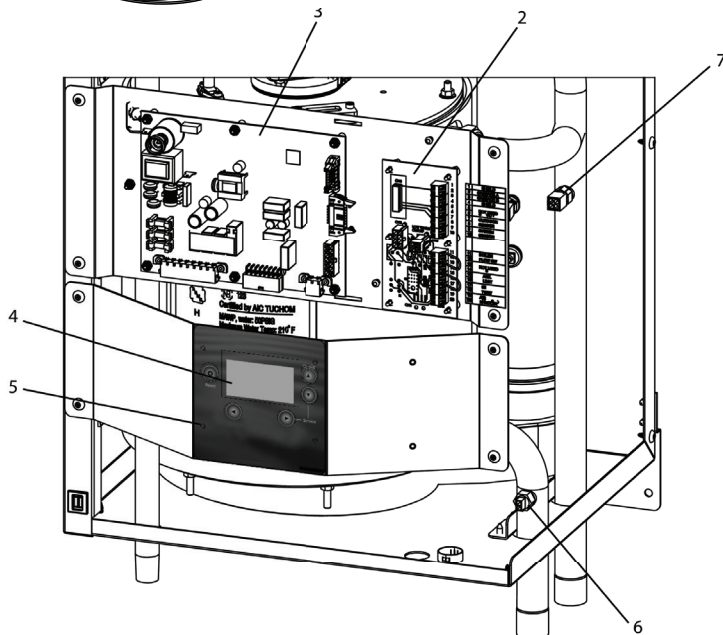
** The Heat Exchanger Top Plate Assembly includes item numbers 12, 17, 23, 25, 26, 27, 28, 30, and 31.



DIR# 2000541137 00

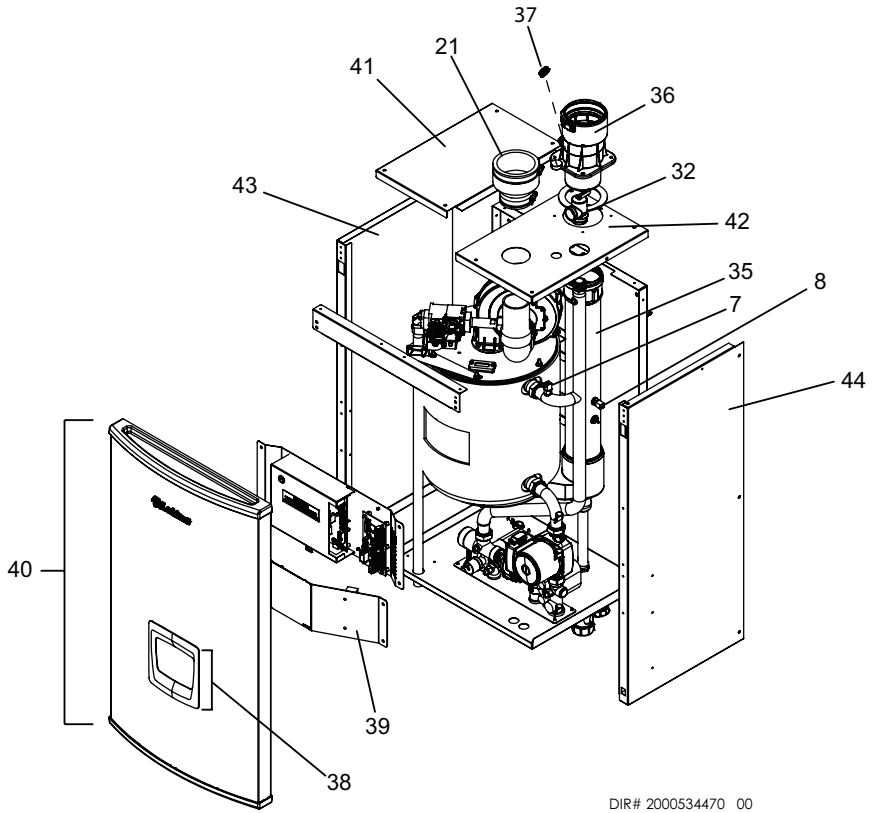
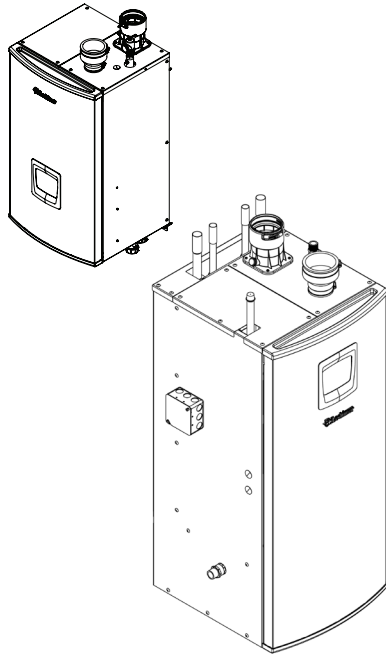
GAS TRAIN

BOILER CONTROLS

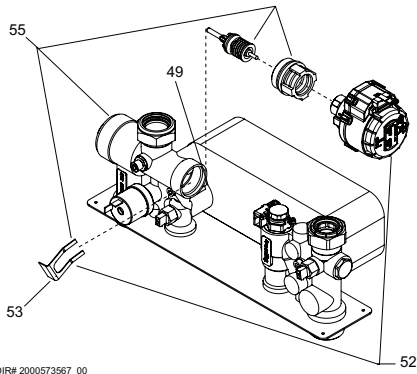


DIR# 2000541145 00

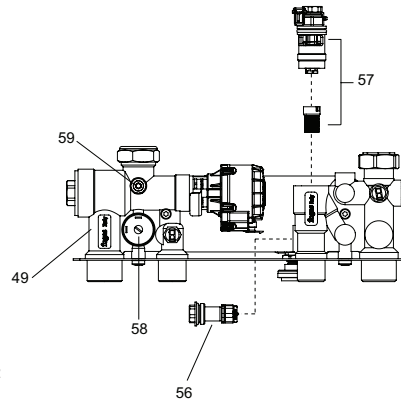
COMBI



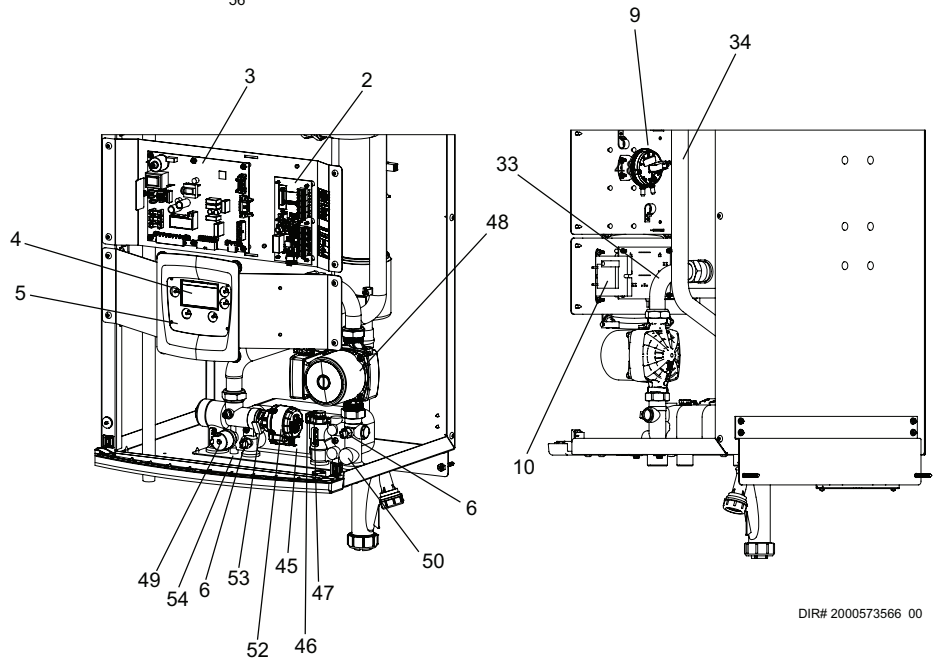
DIR# 2000534470 00



DIR# 2000573567 00



COMBI CONTROLS



DIR# 2000573566 00

ITEM NO.	PART NO.	DESCRIPTION	MODEL
HEAT EXCHANGER ASSEMBLIES			
1	100284352	HEAT EXCHANGER ASSEMBLY	EPB 080
1	100275478	HEAT EXCHANGER ASSEMBLY	EPB /EPC /EFC 110
1	100275479	HEAT EXCHANGER ASSEMBLY	EPB /EPC /EFC 150
1	100275480	HEAT EXCHANGER ASSEMBLY	EPB /EPC /EFC 199
CONTROLS			
2	100275502*	CONNECTION BOARD	EPC /EFC 110 - 199
2	100284350*	CONNECTION BOARD	EPB 080 - 199
3	100275507*	CONTROL BOARD, MAIN	EPC /EFC 110
3	100345862*	CONTROL BOARD, MAIN	EPC /EFC 150
3	100346296*	CONTROL BOARD, MAIN	EPC /EFC 199
3	100275522	CONTROL BOARD, MAIN - HIGH ALTITUDE	EPC /EFC 110
3	100361276	CONTROL BOARD, MAIN - HIGH ALTITUDE	EPC /EFC 150
3	100361277	CONTROL BOARD, MAIN - HIGH ALTITUDE	EPC /EFC 199
3	100339969*	CONTROL BOARD, MAIN	EPB 080
3	100284346*	CONTROL BOARD, MAIN	EPB 110
3	100346299*	CONTROL BOARD, MAIN	EPB 150
3	100346300*	CONTROL BOARD, MAIN	EPB 199
3	100339970	CONTROL BOARD, MAIN - HIGH ALTITUDE	EPB 080
3	100284341	CONTROL BOARD, MAIN - HIGH ALTITUDE	EPB 110
3	100361274	CONTROL BOARD, MAIN - HIGH ALTITUDE	EPB 150
3	100361275	CONTROL BOARD, MAIN - HIGH ALTITUDE	EPB 199
4	100275525	CONTROL BOARD, USER INTERFACE	ALL
5	100275526	LABEL, CONTROL OVERLAY	ALL
6	100208560*	SENSOR, INLET / DHW	ALL
7	100208547*	SENSOR, OUTLET / HIGH LIMIT	ALL
8	100275527*	SENSOR, FLUE W/ GROMMET	ALL
-	100157742	SENSOR, OUTDOOR AIR	ALL
9	100275596*	SWITCH, PRESSURE	ALL
10	100208230	TRANSFORMER - 24V, 40VA	ALL
GAS TRAIN			
11	100266999*	FAN ASSEMBLY W/ GASKET	EPB080-150, EPC/EFC110-150
11	100318771*	FAN ASSEMBLY W/ GASKET	EPB / EPC /EFC 199
12	100208101*	GASKET, FAN	ALL
13	100355799	GAS VALVE ASSEMBLY W/ GASKET (NO PRESET)	ALL
13	100275532	GAS VALVE ASSEMBLY W/ GASKET	EPB 080
13	100351235	GAS VALVE ASSEMBLY W/ GASKET	EPB/EPC/EFC 110
13	100351237	GAS VALVE ASSEMBLY W/ GASKET	EPB/EPC/EFC 150
13	100351238	GAS VALVE ASSEMBLY W/ GASKET	EPB/EPC/EFC 199
14	100275533	SWITCH, GAS VALVE - ON/OFF	ALL
15	100275534	FLANGE, GAS VALVE W/ GASKET	ALL
16	100276451	ADAPTER, GAS VALVE W/ GASKET	EPB 080-110, EPC/EFC 110
16	100275537	ADAPTER, GAS VALVE W/ GASKET	EPB /EPC /EFC 150
16	100276430	ADAPTER, GAS VALVE W/ GASKET	EPB /EPC /EFC 199
17	100275538	GASKET, GAS VALVE ADAPTER	ALL
18	100275539	VENTURI, NAT.	EPB080-110, EPC/EFC110 N
18	100284322	VENTURI, NAT.	EPB / EPC /EFC 150 N
18	100275540	VENTURI, NAT	EPB / EPC /EFC 199
18	100361273	LP CONVERSION KIT (BEGINNING SERIAL #2230)	EPB 080 L
18	100275546	LP CONVERSION KIT (BEGINNING SERIAL #2230)	EPB / EPC /EFC 110 L
18	100346280	LP CONVERSION KIT (BEGINNING SERIAL #2230)	EPB/EPC /EFC 150 L
18	100346292	LP CONVERSION KIT (BEGINNING SERIAL #2230)	EPB/EPC /EFC 199 L
18	100339889	LP CONVERSION KIT - STANDARD ALTITUDE (PRIOR TO SERIAL #2230)	EPB 080 L
18	100346295	LP CONVERSION KIT - STANDARD ALTITUDE (PRIOR TO SERIAL #2230)	EPB 110 L
18	100346294	LP CONVERSION KIT - STANDARD ALTITUDE (PRIOR TO SERIAL #2230)	EPB 150 L
18	100346293	LP CONVERSION KIT - STANDARD ALTITUDE (PRIOR TO SERIAL #2230)	EPB 199 L
18	100339957	LP CONVERSION KIT - HIGH ALTITUDE (PRIOR TO SERIAL #2230)	EPB 080 L
18	100361584	LP CONVERSION KIT - HIGH ALTITUDE (PRIOR TO SERIAL #2230)	EPB 110 L
18	100361291	LP CONVERSION KIT - HIGH ALTITUDE (PRIOR TO SERIAL #2230)	EPB 150 L
PLEASE HAVE MODEL AND SERIAL NUMBER WHEN ORDERING PARTS *ITEMS DENOTE SUGGESTED INVENTORY PARTS			

ITEM NO.	PART NO.	DESCRIPTION	MODEL
GAS TRAIN (CONTINUED)			
18	100361293	LP CONVERSION KIT - HIGH ALTITUDE (PRIOR TO SERIAL #2230)	EPB 199 L
18	100346279	LP CONVERSION KIT - STANDARD ALTITUDE (PRIOR TO SERIAL #2230)	EPC /EFC 150 L
18	100346291	LP CONVERSION KIT - STANDARD ALTITUDE (PRIOR TO SERIAL #2230)	EPC /EFC 199 L
18	100346278	LP CONVERSION KIT - STANDARD ALTITUDE (PRIOR TO SERIAL #2230)	EPC /EFC 110 L
18	100361585	LP CONVERSION KIT - HIGH ALTITUDE (PRIOR TO SERIAL #2230)	EPC /EFC 110 L
18	100361292	LP CONVERSION KIT - HIGH ALTITUDE (PRIOR TO SERIAL #2230)	EPC /EFC 150 L
18	100361294	LP CONVERSION KIT - HIGH ALTITUDE (PRIOR TO SERIAL #2230)	EPC /EFC 199 L
19	100277743*	GASKET, VENTURI O-RING	EPB080-150,EPC/EFC110-150
19	100208761*	GASKET, VENTURI O-RING	EPB / EPC /EFC 199
20	100275550	COUPLING, VENTURI W/ CLAMPS	ALL
21	100275561	COUPLING, AIR INLET	ALL
PILOT AND BURNER ASSEMBLIES			
22	100275562*	KIT, IGNITOR W/ GASKET & SCREWS	ALL
23	100208086	GASKET, IGNITOR	ALL
24	100189215	KIT, SIGHT GLASS W/ GASKETS	ALL
25	100274752	GASKET, SIGHT GLASS, WHITE	ALL
26	100274751	GASKET, SIGHT GLASS, RED	ALL
27	100284307**	HEAT EXCHANGER TOP PLATE ASSEMBLY	EPB 080
27	100275567**	HEAT EXCHANGER TOP PLATE ASSEMBLY	EPB / EPC /EFC 110
27	100275568**	HEAT EXCHANGER TOP PLATE ASSEMBLY	EPB / EPC /EFC 150
27	100275569**	HEAT EXCHANGER TOP PLATE ASSEMBLY	EPB / EPC /EFC 199
28	100284305	GASKET, HEAT EXCHANGER TOP PLATE	EPB 080
28	100275572	GASKET, HEAT EXCHANGER TOP PLATE	EPB / EPC /EFC 110
28	100275573	GASKET, HEAT EXCHANGER TOP PLATE	EPB / EPC /EFC 150
28	100275575	GASKET, HEAT EXCHANGER TOP PLATE	EPB / EPC /EFC 199
29	100284303*	BURNER W/ GASKET	EPB 080
29	100275577*	BURNER W/ GASKET	EPB / EPC /EFC 110
29	100275578*	BURNER W/ GASKET	EPB / EPC /EFC 150
29	100275580*	BURNER W/ GASKET	EPB / EPC /EFC 199
30	100284302	GASKET, BURNER	EPB 080
30	100275582	GASKET, BURNER	EPB / EPC /EFC 110
30	100275583	GASKET, BURNER	EPB / EPC /EFC 150 - 199
31	100284290	INSULATION, TOP PLATE	EPB 080
31	100275584	INSULATION, TOP PLATE	EPB / EPC /EFC 110
31	100275585	INSULATION, TOP PLATE	EPB / EPC /EFC 150
31	100275586	INSULATION, TOP PLATE	EPB / EPC /EFC 199
MISCELLANEOUS			
32	100275587	RELIEF VALVE, 50 PSI	ALL EPC/EFC
32	100284289	RELIEF VALVE, 30 PSI	ALL EPB
33	100284288	WATER TUBE, INLET	EPB 080 - 150
33	100275588	WATER TUBE, INLET - COMBI	EPC /EFC 110 - 199
34	100284287	WATER TUBE, OUTLET	EPB 080 - 150
34	100275589	WATER TUBE, OUTLET - COMBI	EPC /EFC 110 - 199
-	100319654	GASKET SET, WATER TUBE	ALL
-	100284286*	CONDENSATE TRAP ASSEMBLY	ALL EPB
-	100275597*	CONDENSATE TRAP ASSEMBLY	ALL EPC /EFC
35	100275599	FLUE CONNECTION PIPE, 3" CPVC	ALL
36	100275600	FLUE ADAPTER, 3" PVC W/ ANALYZER PORT	ALL
-	100287212	GASKET, FLUE ADAPTER, 80 MM	ALL
-	100284239	SHUTTER, AIR - LP	EPB / EPC /EFC 110 L
-	100361579	SHUTTER, AIR - NATURAL AND LP	EPB 080
-	100361580	SHUTTER, AIR - NATURAL AND LP	EPB/EPC /EFC 150
-	100361581	SHUTTER, AIR - NATURAL AND LP	EPB/EPC /EFC 199
-	100284236	HARNESS, UNIT	EPB 080 - 199
-	100275616	HARNESS, MAIN UNIT	EPC /EFC 110 - 199
-	100275604	HARNESS, POWER - COMBI	EPC /EFC 110 - 199
-	100284235	HARNESS, POWER	EPB 080 - 199
-	100284234	HARNESS, SPARK IGNITOR	ALL
-	100275606	HARNESS, CONNECTION BOARD	ALL

PLEASE HAVE MODEL AND SERIAL NUMBER WHEN ORDERING PARTS
*ITEMS DENOTE SUGGESTED INVENTORY PARTS

ITEM NO.	PART NO.	DESCRIPTION	MODEL
MISCELLANEOUS (CONTINUED)			
-	100312423	RIBBON CABLE	ALL
-	100286123	OUTLET, LWCO, AIR VENT AUTO	ALL
37	100278305	COMBUSTION ANALYZER PORT COVER	ALL
JACKET ASSEMBLIES			
38	100275609	KIT, DISPLAY BEZEL W/ CLIPS	ALL
39	100275610	KIT, BEZEL BRACKET W/ CONTROL OVERLAY LABEL	EPB080 - 199, EPC /EFC 110
39	100275631	KIT, BEZEL BRACKET W/ CONTROL OVERLAY LABEL	EPC /EFC 150 - 199
40	100284105	JACKET, OUTER FRONT DOOR ASSEMBLY	ALL
40	100275637	JACKET, OUTER FRONT DOOR ASSEMBLY	EPC 110
40	100275638	JACKET, OUTER FRONT DOOR ASSEMBLY	EPC 150 - 199
40	100363754	JACKET, OUTER FRONT DOOR ASSEMBLY	EFC 110
40	100363755	JACKET, OUTER FRONT DOOR ASSEMBLY	EFC 150 - 199
-	100284114	JACKET, OUTER TOP FRONT	EPB 080
-	100284113	JACKET, OUTER TOP FRONT	EPB 110
-	100275632	JACKET, OUTER TOP FRONT	EPC /EFC 110
-	100284111	JACKET, OUTER TOP BACK	EPB 080
-	100284110	JACKET, OUTER TOP BACK	EPB 110
41	100284109	JACKET, OUTER TOP - LEFT	EPB 150 - 199
41	100275633	JACKET, OUTER TOP - LEFT	EPC /EFC 150 - 199
42	100284107	JACKET, OUTER TOP, RIGHT	EPB 150
42	100318329	JACKET, OUTER TOP, RIGHT	EPB 199
42	100275634	JACKET, OUTER TOP - RIGHT	EPC /EFC 150
42	100275635	JACKET, OUTER TOP - RIGHT	EPC /EFC 199
43	100284104	JACKET, OUTER LEFT SIDE	EPB 080
43	100284103	JACKET, OUTER LEFT SIDE	EPB 110 - 199
43	100275639	JACKET, OUTER LEFT SIDE	EPC 110 - 199
43	100370792	JACKET, OUTER LEFT SIDE	EFC 110 - 199
44	100284102	JACKET, OUTER RIGHT SIDE	EPB 080
44	100284101	JACKET, OUTER RIGHT SIDE	EPB 110 - 199
44	100275640	JACKET, OUTER RIGHT SIDE	EPC 110 - 199
44	100370791	JACKET, OUTER RIGHT SIDE	EFC 110 - 199
COMBI WATERSET COMPONENTS			
45	100275501	HEAT EXCHANGER ASSEMBLY, BRAZED PLATE	EPC /EFC 110 - 199
46	100275528*	SENSOR, FLOW	EPC /EFC 110 - 199
47	100278304*	SWITCH, FLOW W/ GREASE COMPOUND	EPC /EFC 110 - 199
48	100275607*	PUMP ASSEMBLY W/ GASKETS	EPC /EFC 110 - 199
49	100318269	FLOW GROUP W/ GASKETS, OUTLET PIPE, UNIT HARNESS (PRIOR TO SERIAL #1919)	EPC /EFC 110 - 199
49	100318322	FLOW GROUP W/ GASKETS (BEGINNING SERIAL #1919)	EPC /EFC 110 - 199
50	100275592	KIT, RETURN GROUP W/ GASKETS	EPC /EFC 110 - 199
51	100275593	GASKET, HEX TO FLOW GROUP	EPC /EFC 110 - 199
52	100275594	DIVERTER MOTOR W/ CLIP	EPC /EFC 110 - 199
53	100276429	CLIP, DIVERTER MOTOR	EPC /EFC 110 - 199
-	100275598	HOSE, CONDENSATE TRAP	EFC 110 - 199
-	100363751	WATER PIPE, CLAMPS, 3/4"	ALL EFC
-	100363752	WATER PIPE, CLAMPS, 1"	ALL EFC
-	100363750	CONDENSATE HOSE, 1"	ALL EFC
54	100276452	MOUNTING PLATE, WATERSET	EPC /EFC 110 - 199
55	100278302	DIVERTER MOTOR ASSEMBLY	EPC /EFC 110 - 199
56	100278303	BYPASS ASSEMBLY	EPC /EFC 110 - 199
57	100278304	SWITCH, FLOW W/ GREASE COMPOUND (EXPLODED VIEW)	EPC /EFC 110 - 199
58	100318326	WATER PRESSURE SWITCH	EPC/EFC 110 - 199
59	100318328	PLUG W/ O-RING	EPC/EFC 110 - 199

PLEASE HAVE MODEL AND SERIAL NUMBER WHEN ORDERING PARTS
*ITEMS DENOTE SUGGESTED INVENTORY PARTS

Notes

Notes