

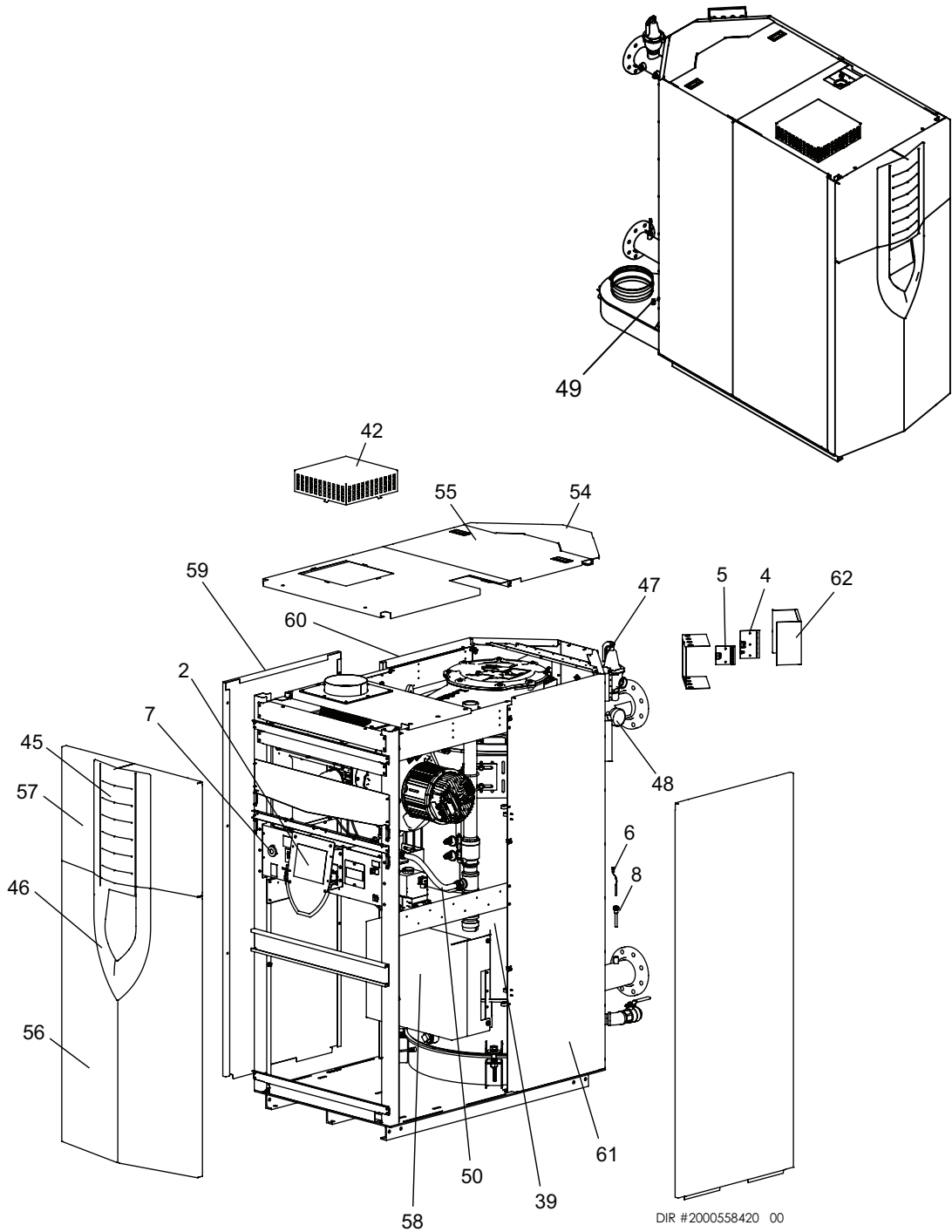


**Lochinvar**<sup>®</sup>  
HIGH EFFICIENCY BOILERS & WATER HEATERS

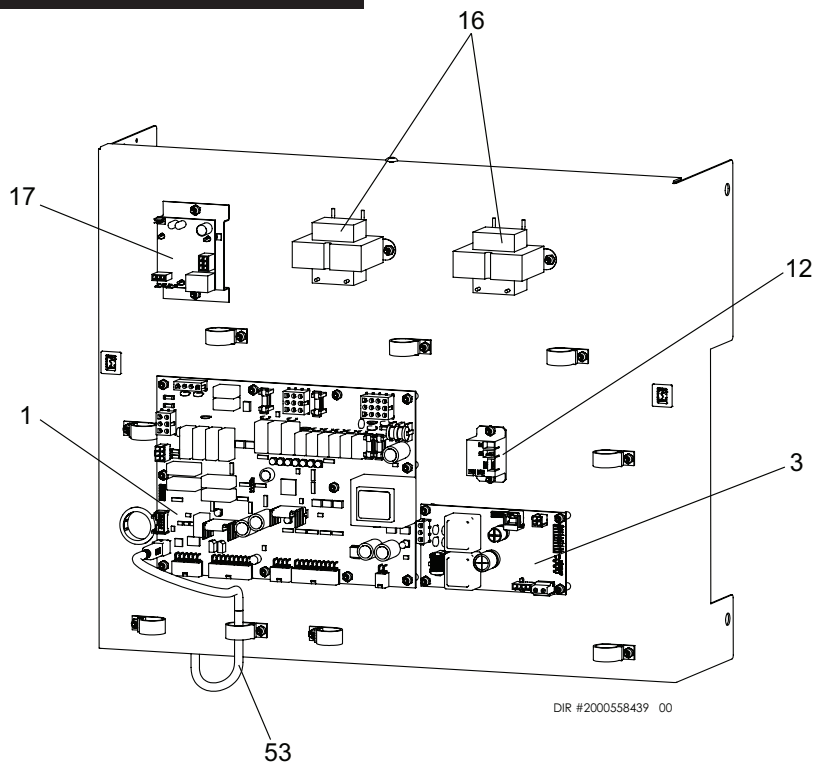
**PARTS & SERVICE DEPARTMENT**  
Nashville, Tennessee  
877-554-5544 • Fax: 615-882-2918  
parts\_team@lochinvar.com  
www.Lochinvar.com

## Replacement Parts List

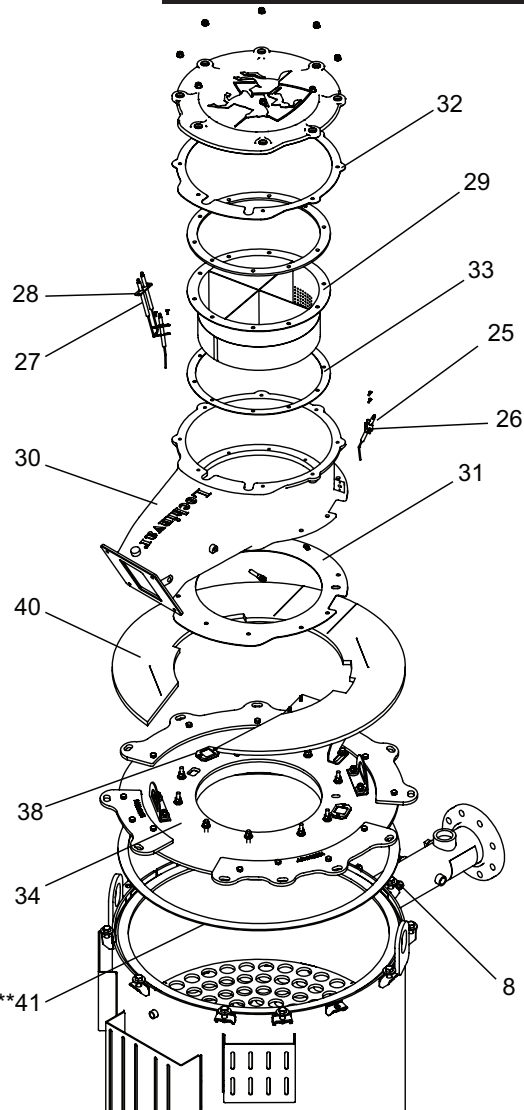
**Crest**<sup>®</sup>  
Heating Boilers  
FB(N/L) 2501 - 6001



## CONTROL PANEL

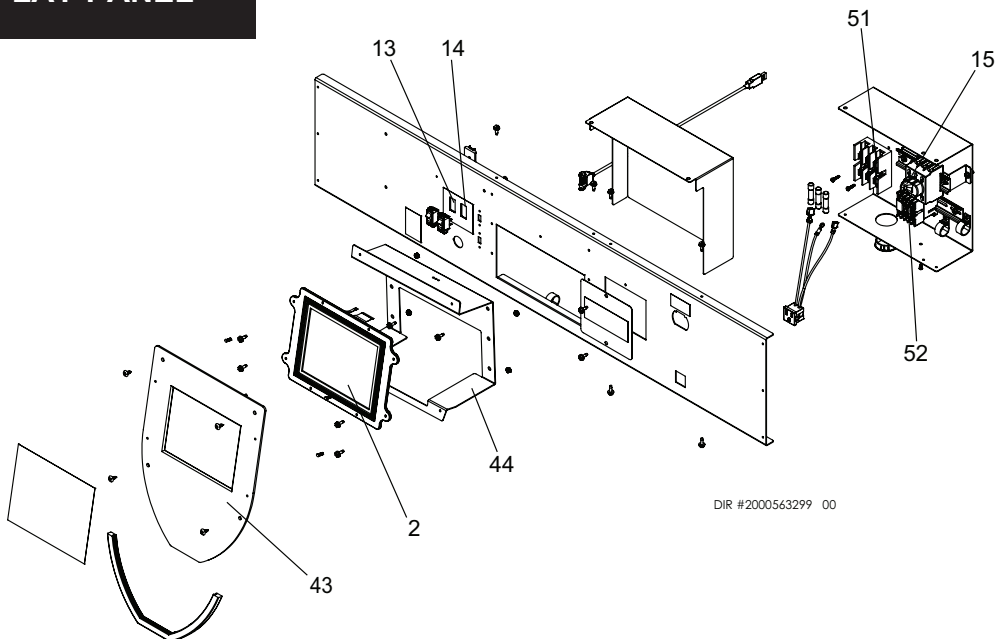


## HEAT EXCHANGER

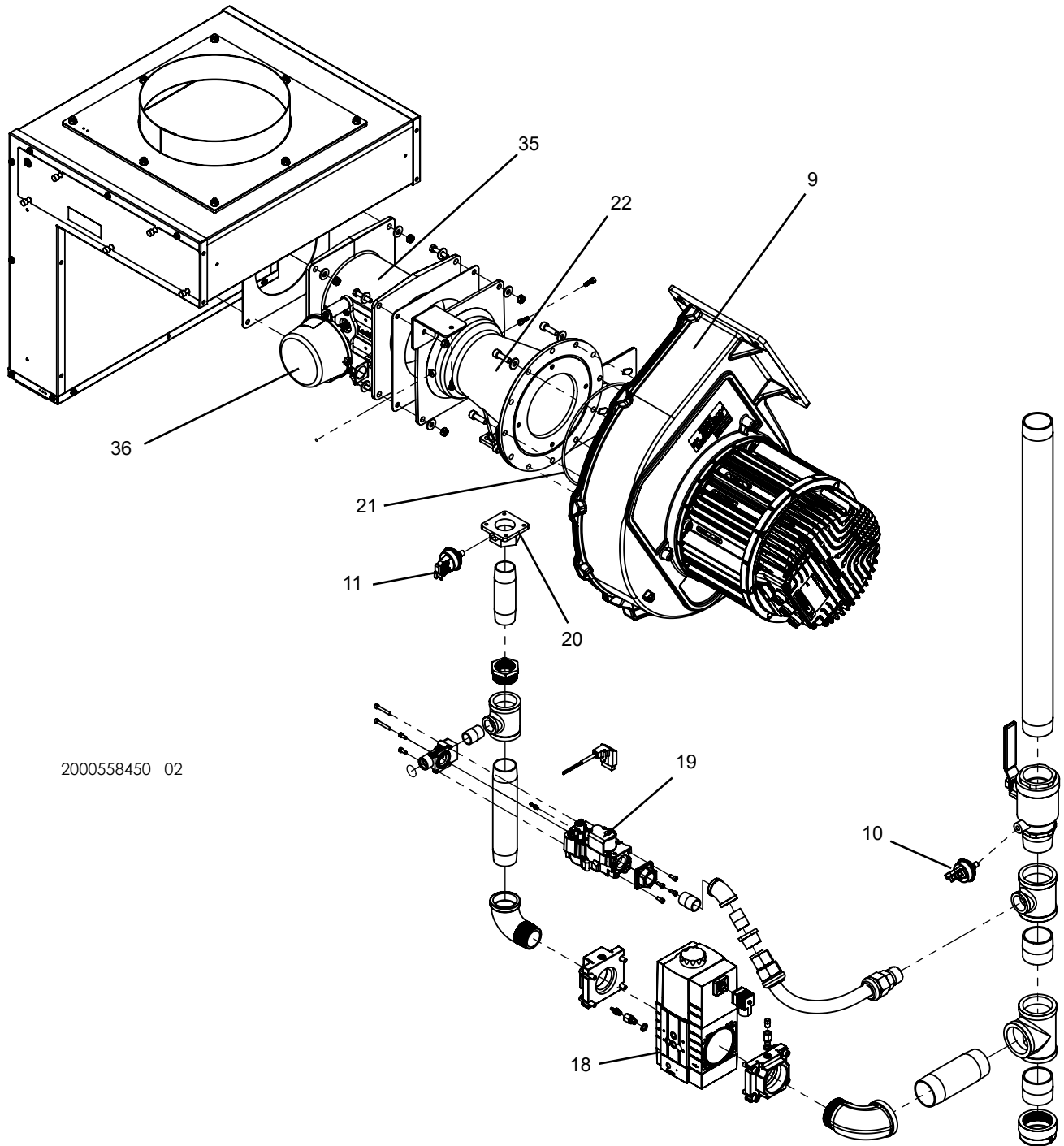


\*\*The Gasket Set includes item numbers 26, 28, 31, and 38 (bottom gasket).

## DISPLAY PANEL

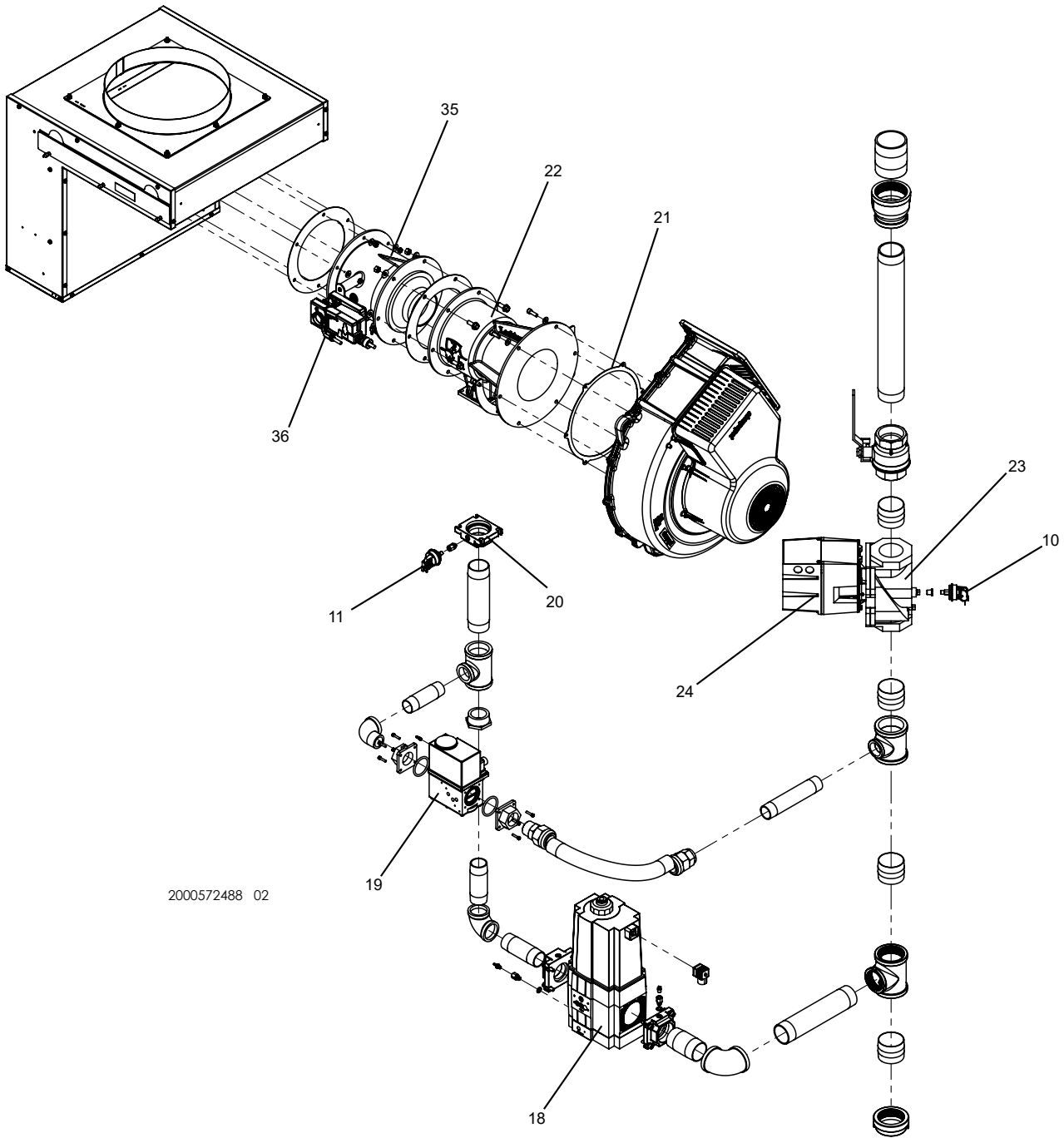


# GAS TRAIN (FBN/L 2501 - 3501)



2000558450 02

**GAS TRAIN**  
**(FBN/L 4001 - 6001)**



2000572488 02

ITEM NO.	PART NO.	DESCRIPTION	MODEL
<b>CONTROLS</b>			
1	<a href="#">100309869*</a>	INTEGRATED CONTROL	FB 2501 - 3501
1	<a href="#">100309870*</a>	INTEGRATED CONTROL	FB 4001 - 6001
2	<a href="#">100311038</a>	DISPLAY INTERFACE ASSEMBLY	ALL
-	<a href="#">100311232</a>	GASKET, USER INTERFACE DISPLAY	ALL
3	<a href="#">100275047</a>	BACNET BOARD	ALL
4	<a href="#">100208481*</a>	LOW VOLTAGE CONTROL BOARD - TERMINALS 17-40	ALL
5	<a href="#">100208476*</a>	LOW VOLTAGE CONTROL BOARD - TERMINALS 1-16	ALL
6	<a href="#">100208552*</a>	SENSOR, SYSTEM / INLET	ALL
-	<a href="#">100208557*</a>	SENSOR, DUAL OUTLET	ALL
-	<a href="#">100208558</a>	SENSOR, PREMIX THERMOSTAT LIMIT	ALL
7	<a href="#">100271315*</a>	HIGH LIMIT	ALL
8	<a href="#">100233695*</a>	BULB WELL, SYSTEM / INLET / OUTLET	ALL
-	<a href="#">100233613</a>	BULB WELL, SENSOR, PREMIX TSTAT LIMIT	ALL
9	<a href="#">100144990</a>	FAN ASSEMBLY	FB 2501 - 3501
9	<a href="#">100304907</a>	FAN ASSEMBLY	FB 4001 - 6001
-	<a href="#">100274709*</a>	GASKET, BLOWER	FB 2501 - 3501
-	<a href="#">100233698*</a>	GASKET, VENTURI	FB 2501 - 3501
-	<a href="#">100304944*</a>	GASKET, BURNER / FAN	FB 3501
-	<a href="#">100304945*</a>	GASKET, BLOWER	FB 4001 - 6001
10	<a href="#">100208385*</a>	LOW GAS PRESSURE SWITCH	ALL
-	<a href="#">100274744*</a>	PRESSURE SWITCH - 27.0" WATER COLUMN (UPSTREAM) (NOT PICTURED)	ALL
11	<a href="#">100332662</a>	PRESSURE SWITCH - 2.25" WATER COLUMN (DOWNSTREAM)	FB 2501 - 3501
11	<a href="#">100332665</a>	PRESSURE SWITCH - 2.25" WATER COLUMN (DOWNSTREAM)	FB 4001 - 6001
12	<a href="#">100208509*</a>	RELAY, 120VAC, 60HZ, 10.8 AMP	FB 4001 - 6001
13	<a href="#">100277797</a>	MOMENTARY SWITCH, RED - 20 AMP, 125 VOLT	ALL
14	<a href="#">100277798</a>	MOMENTARY SWITCH, BLACK - 20 AMP, 125 VOLT	ALL
15	<a href="#">100274739</a>	SWITCH, DISCONNECT	ALL
16	<a href="#">100208230</a>	TRANSFORMER, 24V, 40VA	ALL
-	<a href="#">100341773</a>	SPARK GENERATOR, DANFOSS (BEGINNING SERIAL #2102)	ALL
-	<a href="#">100340125</a>	SPARK GENERATOR, RETROFIT (PRIOR SERIAL #2102)	ALL
17	<a href="#">100173747</a>	LOW WATER CUT-OFF CONTROL	ALL
-	<a href="#">100320791</a>	LOW WATER CUT-OFF (BEGINNING SERIAL #2004)	ALL
-	<a href="#">100277756</a>	PROBE, LWCO (PRIOR TO SERIAL #2004)	ALL
-	<a href="#">100277801</a>	BOOT, LWCO	ALL
<b>GAS TRAIN ASSEMBLY</b>			
18	<a href="#">100304951</a>	GAS VALVE ASSEMBLY - LARGE	FB 2501 - 4001
18	<a href="#">100304954</a>	GAS VALVE ASSEMBLY - LARGE	FB 5001 - 6001
19	<a href="#">100304952</a>	GAS VALVE ASSEMBLY - SMALL	FB 2501 - 3001
19	<a href="#">100304953</a>	GAS VALVE ASSEMBLY - SMALL	FB 3501, 5001, 6001
19	<a href="#">100304955</a>	GAS VALVE ASSEMBLY - SMALL	FB 4001
20	<a href="#">100208105*</a>	GASKET, FLANGE VENTURI	FB 2501 - 3501
21	<a href="#">100233698*</a>	GASKET, FAN / VENTURI	FB 2501 - 3501
21	<a href="#">100289441*</a>	GASKET, FAN / VENTURI	FB 4001 - 6001
22	<a href="#">100274223</a>	VENTURI ASSEMBLY	FB 2501 - 3501
22	<a href="#">100306265</a>	VENTURI ASSEMBLY	FB 4001 - 6001
23	<a href="#">100289680</a>	VALVE, PROOF OF CLOSURE	FB 6001
24	<a href="#">100289691</a>	VALVE ACTUATOR, PROOF OF CLOSURE	FB 6001
-	<a href="#">100355640</a>	GAS PRESSURE CHECK	ALL
<b>PILOT &amp; BURNER ASSEMBLIES</b>			
25	<a href="#">100279407*</a>	FLAME SENSOR W/ GASKET (QTY 2 REQ)	ALL
26	<a href="#">100304988</a>	GASKET, FLAME SENSOR	ALL
27	<a href="#">100304989*</a>	IGNITOR W/ GASKET (PRIOR TO SERIAL #2102)	ALL
27	<a href="#">100340123*</a>	IGNITOR W/ GASKET, LARGE, 4 MM X 6.4 MM (BEGINNING SERIAL #2102)	ALL

**PLEASE HAVE MODEL AND SERIAL NUMBER WHEN ORDERING PARTS**  
**\*ITEMS DENOTE SUGGESTED INVENTORY PARTS**

ITEM NO.	PART NO.	DESCRIPTION	MODEL
<b>PILOT &amp; BURNER ASSEMBLIES (CONTINUED)</b>			
27	100346411	IGNITOR SPACER (PRIOR TO SERIAL #2102)	FB 4001
28	100305001	GASKET, IGNITOR	ALL
-	100341773	SPARK GENERATOR, DANFOSS (BEGINNING SERIAL #2102)	ALL
-	100340125	SPARK GENERATOR, RETROFIT	ALL
29	100305002	BURNER ASSEMBLY W/ GASKETS	FB 2501
29	100305003	BURNER ASSEMBLY W/ GASKETS	FB 3001
29	100305004	BURNER ASSEMBLY W/ GASKETS	FB 3501
29	100305005	BURNER ASSEMBLY W/ GASKETS	FB 4001
29	100305007	BURNER ASSEMBLY W/ GASKETS	FB 5001
29	100305006	BURNER ASSEMBLY W/ GASKETS	FB 6001
30	100305008	GAS / AIR MANIFOLD W/ GASKET	FB 2501
30	100328345	GAS / AIR MANIFOLD W/ GASKET	FB 3001 - 3501
30	100305009	GAS / AIR MANIFOLD W/ GASKET	FB 4001 - 6001
31	100305010*	GASKET, MANIFOLD	FB 2501 - 3501
31	100305011*	GASKET, MANIFOLD	FB 4001 - 6001
32	100326229	GASKET, MANIFOLD COVER	FB 2501 - 3501
32	100326272	GASKET, MANIFOLD COVER	FB 4001 - 6001
33	100318503	GASKET, BURNER MANIFOLD	FB 2501 - 3501
33	100318505	GASKET, BURNER MANIFOLD	FB 4001 - 6001
34	100305012	HEAT EXCHANGER DOOR ASSEMBLY	FB 2501 - 3001
34	100305014	HEAT EXCHANGER DOOR ASSEMBLY	FB 3501
34	100305015	HEAT EXCHANGER DOOR ASSEMBLY	FB 4001
34	100305016	HEAT EXCHANGER DOOR ASSEMBLY	FB 5001
34	100305017	HEAT EXCHANGER DOOR ASSEMBLY	FB 6001
35	100328774	AIR METERING VALVE	FB 2501
35	100328775	AIR METERING VALVE	FB 3001
35	100328776	AIR METERING VALVE	FB 3501
35	100318480	AIR METERING VALVE	FB 4001
35	100318501	AIR METERING VALVE	FB 5001
35	100318502	AIR METERING VALVE	FB 6001
36	100318923	AIR METERING VALVE MOTOR	FB 2501 - 3501
36	100332753	AIR METERING VALVE MOTOR	FB 4001 - 6001
37	100342548	AIR METERING VALVE MOTOR POTENTIOMETER	FB 4001- 6001
<b>MISCELLANEOUS</b>			
38	100311165	SIGHT GLASS KIT	ALL
-	100304818	FIBERBOARD, BURNER	FB 2501 - 3001
-	100304819	FIBERBOARD, BURNER	FB 3501
-	100304820	FIBERBOARD, BURNER	FB 4001
-	100304861	FIBERBOARD, BURNER	FB 5001
-	100304862	FIBERBOARD, BURNER	FB 6001
39	100304863	INSULATION, HEX WRAP	FB 2501 - 3001
39	100304865	INSULATION, HEX WRAP	FB 3501
39	100304866	INSULATION, HEX WRAP	FB 4001
39	100304867	INSULATION, HEX WRAP	FB 5001
39	100304864	INSULATION, HEX WRAP	FB 6001
40	100304868	INSULATION, HEX TOP	FB 2501 - 3001
40	100304869	INSULATION, HEX TOP	FB 3501
40	100304870	INSULATION, HEX TOP	FB 4001
40	100304871	INSULATION, HEX TOP	FB 5001
40	100304872	INSULATION, HEX TOP	FB 6001
41	100304873*	GASKET SET	FB 2501 - 3001

**PLEASE HAVE MODEL AND SERIAL NUMBER WHEN ORDERING PARTS**  
**\*ITEMS DENOTE SUGGESTED INVENTORY PARTS**

ITEM NO.	PART NO.	DESCRIPTION	MODEL
<b>MISCELLANEOUS (CONTINUED)</b>			
41	<a href="#">100304874*</a>	GASKET SET	FB 3501
41	<a href="#">100304875*</a>	GASKET SET	FB 4001
41	<a href="#">100304876*</a>	GASKET SET	FB 5001
41	<a href="#">100304877*</a>	GASKET SET	FB 6001
-	<a href="#">100233667</a>	GASKET, SIGHT GLASS TOP	ALL
42	100296212	AIR INLET COVER	FB 2501 - 3501
42	100300992	AIR INLET COVER	FB 4001
42	100295887	AIR INLET COVER	FB 5001 - 6001
43	<a href="#">100163269</a>	MOUNTING PLATE ASSEMBLY	ALL
44	<a href="#">100289693</a>	LCD HOLDER	ALL
45	<a href="#">100289541</a>	TOP BEZEL	ALL
46	<a href="#">100289540</a>	DISPLAY BEZEL	ALL
47	<a href="#">100274781</a>	PRESSURE RELIEF VALVE, 1-1/2" X 1-1/4", 50 PSI	FB 2501 - 3001
47	<a href="#">100274785</a>	PRESSURE RELIEF VALVE, 1-1/2" X 2", 50 PSI	FB 3501 - 4001
47	<a href="#">100274786</a>	PRESSURE RELIEF VALVE, 2", 50 PSI	FB 5001
47	<a href="#">100289694</a>	PRESSURE RELIEF VALVE, 2" X 2-1/2", 50 PSI	FB 6001
48	<a href="#">100376494*</a>	GAUGE, T&P, 0-75 PSI, 50-320F, 2.5" x 1/2", IP65	ALL
49	<a href="#">100208561*</a>	SENSOR, FLUE TEMP	ALL
-	<a href="#">100297143*</a>	CONDENSATE TRAP	ALL
50	<a href="#">100304887</a>	FLEX GAS PIPE - 1"	FB 2501 - 3001
50	<a href="#">100288457</a>	FLEX GAS PIPE - 1 1/4"	FB 3501 - 6001
51	<a href="#">100277773</a>	FUSE BLOCK - 480 VOLT, 30 AMP	ALL
-	<a href="#">100277805*</a>	FUSE, 30A 480V CLASS G	ALL
52	<a href="#">100274738</a>	CONTACTOR, RELAY	ALL
53	<a href="#">100277806</a>	USB CABLE	ALL
-	<a href="#">100277807</a>	GASKET, AIR INLET COVER	FB 2501
-	<a href="#">100277719</a>	GASKET, AIR INLET COVER	FB 3001 - 3501
-	<a href="#">100277777</a>	GASKET, AIR INLET COVER	FB 4001
-	<a href="#">100277778</a>	GASKET, AIR INLET COVER	FB 5001 - 6001
-	<a href="#">100208807*</a>	FUSE - 1.25 AMP / 250 VOLT	ALL
-	<a href="#">100208231*</a>	FUSE - 3.15A / 250V	ALL
-	<a href="#">100208232*</a>	FUSE - 5A / 250V	ALL
-	<a href="#">100208834</a>	OUTDOOR AIR SENSOR	ALL
-	<a href="#">100277791</a>	CONDENSATE HOSE, 3/8"	ALL
-	<a href="#">100277792</a>	CONDENSATE HOSE, 1"	ALL
-	<a href="#">100277793</a>	SILICONE TUBING, 1/8"	ALL
-	<a href="#">100208336</a>	ALUMINUM TUBING, 1/4"	ALL
-	<a href="#">100232751*</a>	DOOR CATCH	ALL
-	<a href="#">100208818*</a>	DOOR STRIKE	ALL
-	<a href="#">100274737</a>	ANTENNA, USB ADAPTER, WIRELESS	ALL
-	<a href="#">100289696</a>	CABLE, USB 2.0 - 12"	ALL
-	<a href="#">100289697</a>	CABLE, USB 2.0 - 60"	ALL
-	<a href="#">100288513</a>	PANEL MOUNTING CABLE	ALL
-	<a href="#">100208400</a>	AIR METERING VALVE PRESSURE SWITCH	FB 2501 - 3501
-	100354895	AIR METERING VALVE PRESSURE SWITCH	FB 4001 - 6001
-	<a href="#">100208399</a>	AIR PRESSURE SWITCH	FB 2501 - 3501, 5001
-	<a href="#">100276801</a>	AIR PRESSURE SWITCH	FB 4001 & 6001

**PLEASE HAVE MODEL AND SERIAL NUMBER WHEN ORDERING PARTS**  
**\*ITEMS DENOTE SUGGESTED INVENTORY PARTS**

ITEM NO.	PART NO.	DESCRIPTION	MODEL
<b>MISCELLANEOUS (CONTINUED)</b>			
-	100289435	AIR FILTER, 1" X 16" X 20" (UNIT REQUIRES TWO FILTERS, KIT CONTAINS <b>ONE</b> FILTER ONLY)	FB 2501 - 3501
-	100343864	AIR FILTER, 1" X 20" X 24" (UNIT REQUIRES TWO FILTERS, KIT CONTAINS <b>ONE</b> FILTER ONLY)	FB 4001 - 6001
<b>JACKET ASSEMBLIES</b>			
54	100297417	JACKET, OUTER TOP REAR	FB 2501 - 3001
54	100299740	JACKET, OUTER TOP REAR	FB 3501
54	100299565	JACKET, OUTER TOP REAR	FB 4001
54	100299580	JACKET, OUTER TOP REAR	FB 5001
54	100296275	JACKET, OUTER TOP REAR	FB 6001
55	100296224	JACKET, OUTER TOP MIDDLE	FB 2501 - 3001
55	100299651	JACKET, OUTER TOP MIDDLE	FB 3501
55	100299443	JACKET, OUTER TOP MIDDLE	FB 4001
55	100299544	JACKET, OUTER TOP MIDDLE	FB 5001
55	100295940	JACKET, OUTER TOP MIDDLE	FB 6001
56	100296235	JACKET, OUTER FRONT LOWER DOOR	FB 2501 - 3001
56	100299722	JACKET, OUTER FRONT LOWER DOOR	FB 3501
56	100299365	JACKET, OUTER FRONT LOWER DOOR	FB 4001
56	100299608	JACKET, OUTER FRONT LOWER DOOR	FB 5001
56	100295882	JACKET, OUTER FRONT LOWER DOOR	FB 6001
57	100296241	JACKET, OUTER FRONT UPPER DOOR	FB 2501 - 3001
57	100299716	JACKET, OUTER FRONT UPPER DOOR	FB 3501
57	100299368	JACKET, OUTER FRONT UPPER DOOR	FB 4001
57	100299626	JACKET, OUTER FRONT UPPER DOOR	FB 5001
57	100295896	JACKET, OUTER FRONT UPPER DOOR	FB 6001
58	100294451	CONTROL PANEL COVER	ALL
59	100295934	JACKET ASSEMBLY, FRONT SIDE	ALL
60	100296626	JACKET ASSEMBLY, SIDE, REAR, LEFT	FB 2501 - 3001
61	100296638	JACKET ASSEMBLY, SIDE, REAR, RIGHT	FB 2501 - 3001
62	100295942	COVER, JUNCTION BOX, LOW VOLTAGE	ALL
<b>ANNUAL PREVENTATIVE MAINTENANCE KITS</b>			
-	100320694*	KIT, PREVENTATIVE MAINTENANCE SERVICE	FB 2501
-	100320695*	KIT, PREVENTATIVE MAINTENANCE SERVICE	FB 3001
-	100320696*	KIT, PREVENTATIVE MAINTENANCE SERVICE	FB 3501
-	100320697*	KIT, PREVENTATIVE MAINTENANCE SERVICE	FB 4001
-	100320698*	KIT, PREVENTATIVE MAINTENANCE SERVICE	FB 5001
-	100320699*	KIT, PREVENTATIVE MAINTENANCE SERVICE	FB 6001
<b>PLEASE HAVE MODEL AND SERIAL NUMBER WHEN ORDERING PARTS</b>			
<b>*ITEMS DENOTE SUGGESTED INVENTORY PARTS</b>			