



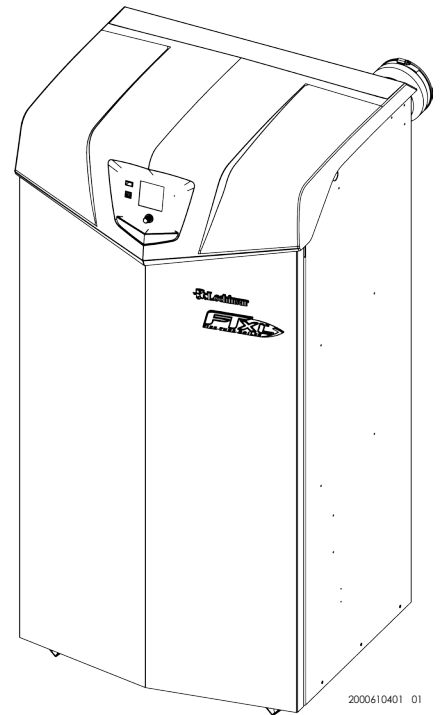
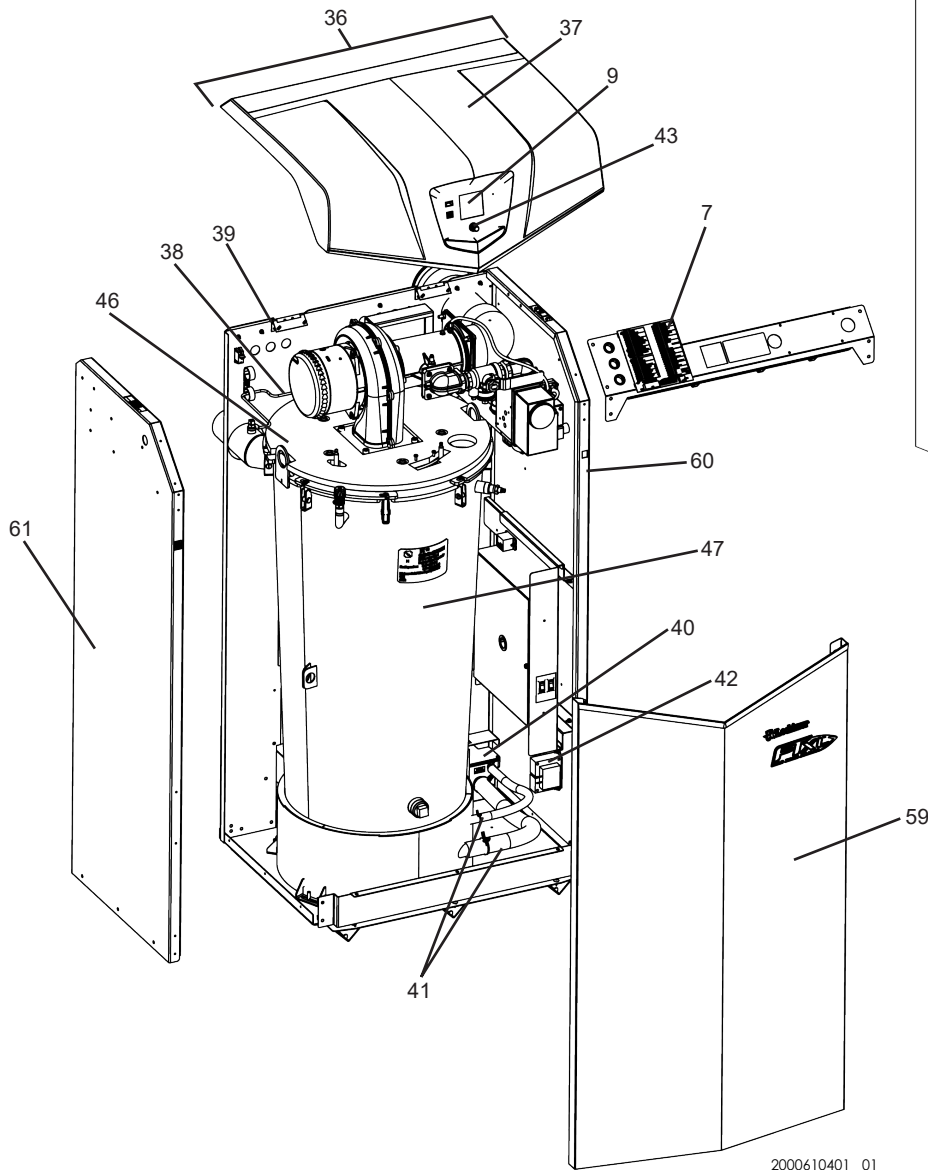
**Lochinvar**<sup>®</sup>  
HIGH EFFICIENCY BOILERS & WATER HEATERS

**PARTS & SERVICE DEPARTMENT**  
Nashville, Tennessee  
877-554-5544 • Fax: 615-882-2918  
parts\_team@lochinvar.com  
www.Lochinvar.com

**Replacement Parts List**

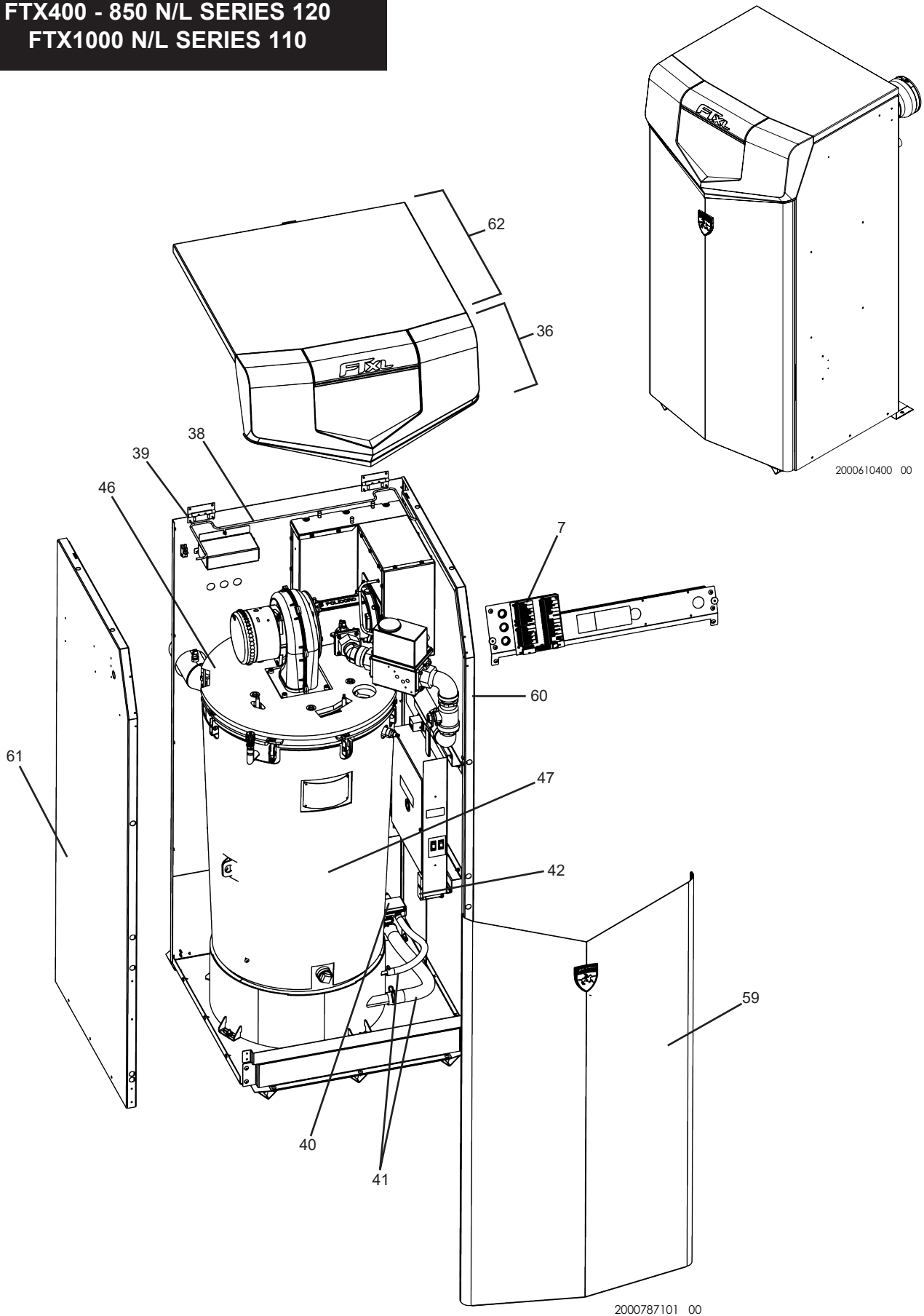
**FTXL**<sup>®</sup>  
**Heating Boilers**  
**FTX400 - 1000(N/L)**

**UNIT**  
**FTX400 - 850 N/L SERIES 100 / 110**



2000610401 01

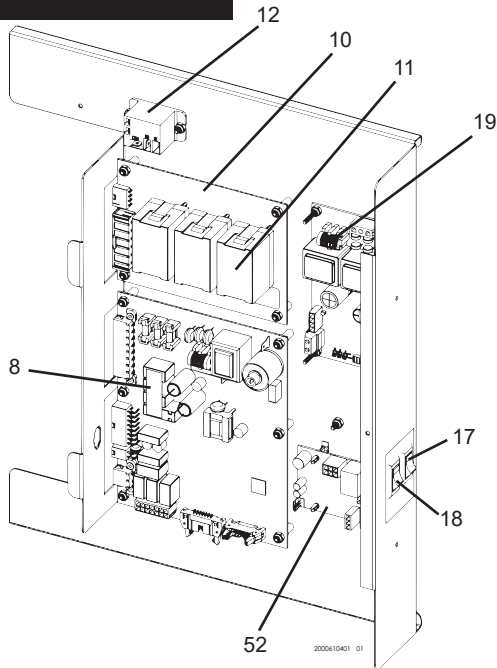
**UNIT**  
**FTX400 - 850 N/L SERIES 120**  
**FTX1000 N/L SERIES 110**



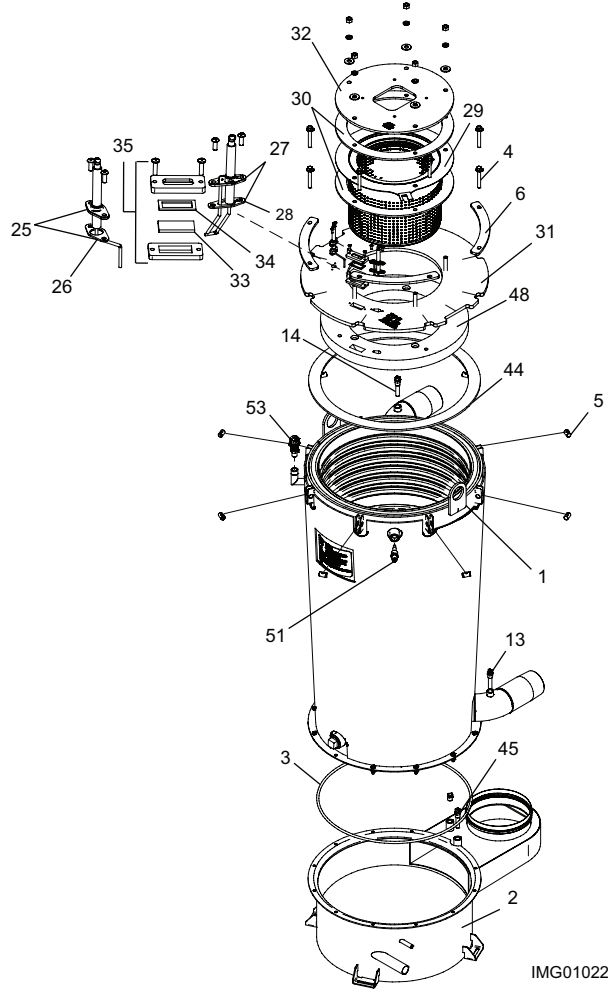
2000610400 00

2000787101 00

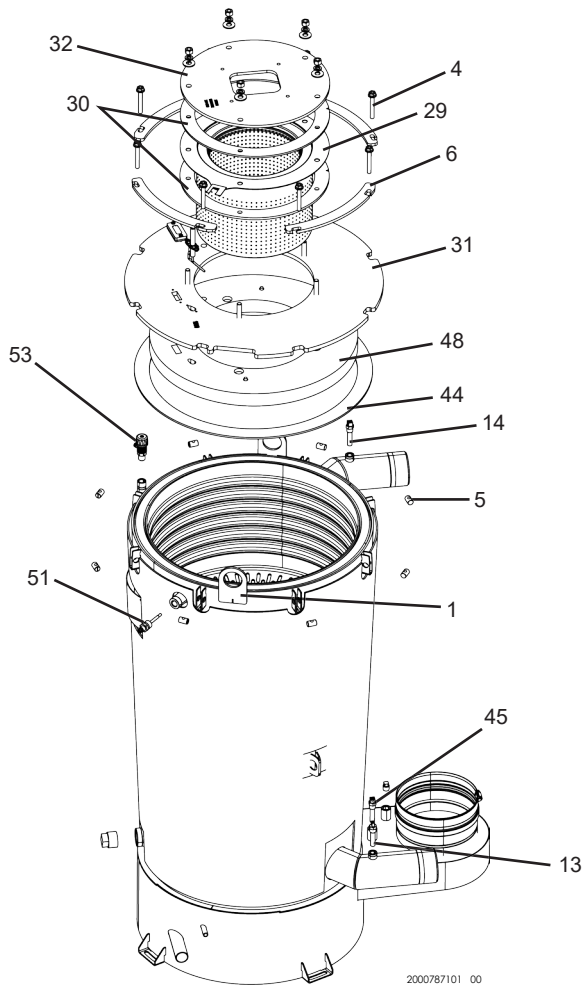
### CONTROL PANEL



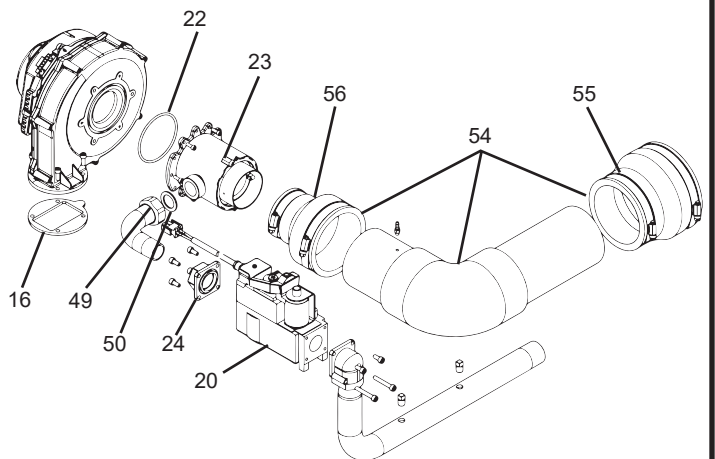
### HEAT EXCHANGER (FTX400-850)



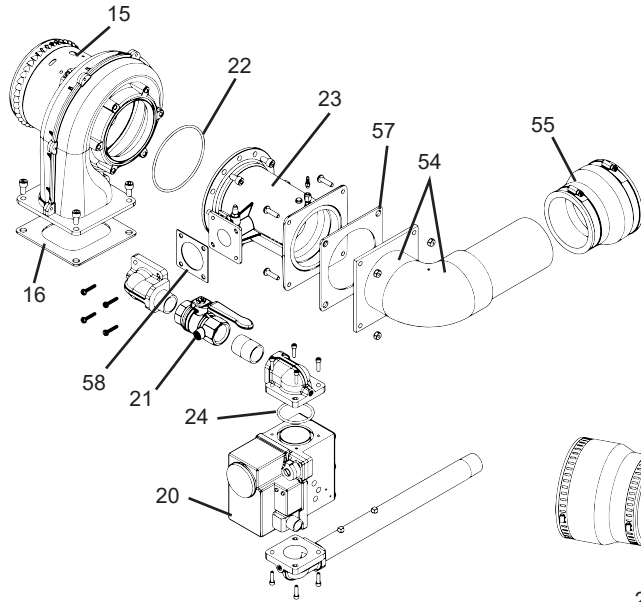
### HEAT EXCHANGER (FTX1000)



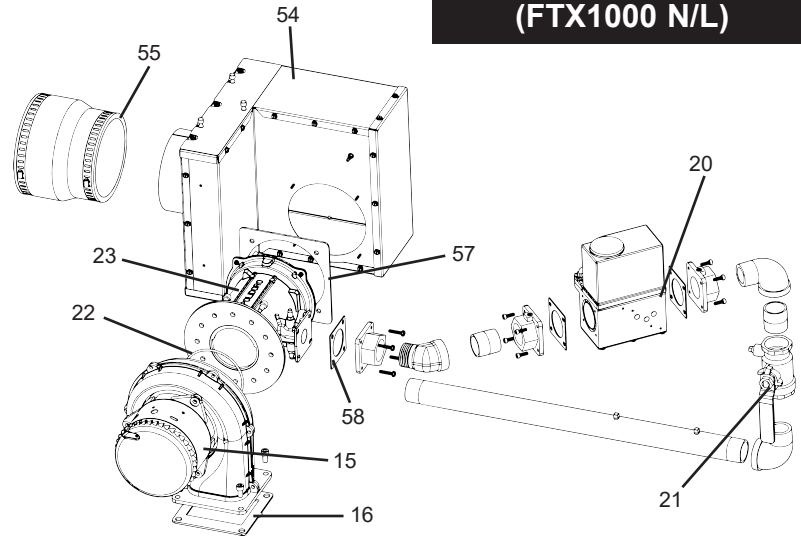
### GAS TRAIN (FTX400 - 500 N/L)



**GAS TRAIN  
(FTX600 - 850 N/L)**



**GAS TRAIN  
(FTX1000 N/L)**



| ITEM NO.                       | PART NO.                   | DESCRIPTION   | MODEL       |
|--------------------------------|----------------------------|---|-------------|
| <b>HEAT EXCHANGER ASSEMBLY</b> |                            |   |             |
| 1                              | <a href="#">100188998</a>  | HEAT EXCHANGER COMPLETE                                   | FTX400      |
| 1                              | <a href="#">100188999</a>  | HEAT EXCHANGER COMPLETE                                   | FTX500-600  |
| 1                              | <a href="#">100189000</a>  | HEAT EXCHANGER COMPLETE                                   | FTX725      |
| 1                              | <a href="#">100189001</a>  | HEAT EXCHANGER COMPLETE                                   | FTX850      |
| 1                              | 100341241                  | HEAT EXCHANGER COMPLETE                                   | FTX1000     |
| 2                              | <a href="#">100189002</a>  | HEAT EXCHANGER FLUE COLLECTOR                             | FTX400-600  |
| 2                              | <a href="#">100189003</a>  | HEAT EXCHANGER FLUE COLLECTOR                             | FTX725-850  |
| 3                              | <a href="#">100288873*</a> | FLUE / HEAT EXCHANGER GASKET                              | FTX400-600  |
| 3                              | <a href="#">100288874*</a> | FLUE / HEAT EXCHANGER GASKET                              | FTX725-850  |
| -                              | <a href="#">100301815</a>  | FLUE GASKET, 4" MODELS                                    | FTX400-600  |
| -                              | 100301832                  | FLUE GASKET, 6" MODELS                                    | FTX725-1000 |
| 4                              | <a href="#">100288875</a>  | BOLT, HEX   | ALL         |
| 5                              | <a href="#">100288876</a>  | NUT, HEX  | ALL         |
| 6                              | <a href="#">100288904</a>  | WASHER, HEX   | FTX 400-600 |
| 6                              | <a href="#">100288905</a>  | WASHER, HEX   | FTX725-850  |
| 6                              | 100341242                  | WASHER, HEX   | FTX1000     |
| <b>CONTROLS</b>                |                            |   |             |
| 7                              | <a href="#">100277838*</a> | LOW VOLTAGE CONNECTION BOARD                              | ALL         |
| 8                              | <a href="#">100189280*</a> | INTEGRATED CONTROL BOARD - SERIES 100/110                 | FTX400      |
| 8                              | <a href="#">100189281*</a> | INTEGRATED CONTROL BOARD - SERIES 100/110                 | FTX500      |
| 8                              | <a href="#">100189282*</a> | INTEGRATED CONTROL BOARD - SERIES 100/110                 | FTX600      |
| 8                              | <a href="#">100189283*</a> | INTEGRATED CONTROL BOARD - SERIES 100/110                 | FTX725      |
| 8                              | <a href="#">100189284*</a> | INTEGRATED CONTROL BOARD - SERIES 100/110                 | FTX850      |
| 8                              | <a href="#">100189285</a>  | INTEGRATED CONTROL BOARD - HIGH ALTITUDE - SERIES 100/110 | FTX400      |
| 8                              | <a href="#">100189286</a>  | INTEGRATED CONTROL BOARD - HIGH ALTITUDE - SERIES 100/110 | FTX500      |
| 8                              | <a href="#">100189287</a>  | INTEGRATED CONTROL BOARD - HIGH ALTITUDE - SERIES 100/110 | FTX600      |

PLEASE HAVE MODEL AND SERIAL NUMBER WHEN ORDERING PARTS  
\*ITEMS DENOTE SUGGESTED INVENTORY PARTS

| ITEM NO.                             | PART NO.   | DESCRIPTION   | MODEL       |
|--------------------------------------|------------|---|-------------|
| <b>CONTROLS (CONTINUED)</b>          |            |   |             |
| 8                                    | 100189288  | INTEGRATED CONTROL BOARD - HIGH ALTITUDE - SERIES 100/110 | FTX725      |
| 8                                    | 100189289  | INTEGRATED CONTROL BOARD - HIGH ALTITUDE - SERIES 100/110 | FTX850      |
| 8                                    | 100367719  | INTEGRATED CONTROL BOARD - SERIES 120                     | FTX400      |
| 8                                    | 100367743  | INTEGRATED CONTROL BOARD - SERIES 120                     | FTX500      |
| 8                                    | 100367744  | INTEGRATED CONTROL BOARD - SERIES 120                     | FTX600      |
| 8                                    | 100367745  | INTEGRATED CONTROL BOARD - SERIES 120                     | FTX725      |
| 8                                    | 100367746  | INTEGRATED CONTROL BOARD - SERIES 120                     | FTX850      |
| 8                                    | 100346582  | INTEGRATED CONTROL BOARD                                  | FTX1000     |
| 8                                    | 100367747  | INTEGRATED CONTROL BOARD - HIGH ALTITUDE - SERIES 120     | FTX400      |
| 8                                    | 100367748  | INTEGRATED CONTROL BOARD - HIGH ALTITUDE - SERIES 120     | FTX500      |
| 8                                    | 100367749  | INTEGRATED CONTROL BOARD - HIGH ALTITUDE - SERIES 120     | FTX600      |
| 8                                    | 100367750  | INTEGRATED CONTROL BOARD - HIGH ALTITUDE - SERIES 120     | FTX725      |
| 8                                    | 100367811  | INTEGRATED CONTROL BOARD - HIGH ALTITUDE - SERIES 120     | FTX850      |
| 8                                    | 100346588  | INTEGRATED CONTROL BOARD - HIGH ALTITUDE                  | FTX1000     |
| 9                                    | 100278134* | USER INTERFACE CONTROL - SERIES 100/110                   | FTX400-850  |
| 10                                   | 100208493* | PUMP RELAY BOARD, 1.5 HP                                  | ALL         |
| 11                                   | 100208502* | RELAY, 1.5 HP PUMP  | ALL         |
| 12                                   | 100208509* | RELAY, 120VAC, 60HZ, 10.8 AMP                             | ALL         |
| 13                                   | 100208549* | INLET SENSOR  | ALL         |
| 14                                   | 100208544* | OUTLET SENSOR/ HIGH LIMIT                                 | ALL         |
| 15                                   | 100188879  | FAN ASSEMBLY  | FTX400      |
| 15                                   | 100188878  | FAN ASSEMBLY  | FTX500      |
| 15                                   | 100188877  | FAN ASSEMBLY  | FTX600-850  |
| 15                                   | 100341245  | FAN ASSEMBLY  | FTX1000     |
| 16                                   | 100288877  | GASKET, FAN   | FTX400-500  |
| 16                                   | 100288878  | GASKET, FAN   | FTX600-1000 |
| 17                                   | 100277798  | MOMENTARY SWITCH, BLACK - 20 AMP, 125 VOLT                | ALL         |
| 18                                   | 100277797  | MOMENTARY SWITCH, RED - 20 AMP, 125 VOLT                  | ALL         |
| 19                                   | 100277771  | MODBUS INTERFACE BOARD-MTR-01                             | ALL         |
| <b>GAS VALVES</b>                    |            |   |             |
| 20                                   | 100189393  | GAS VALVE ASSEMBLY NAT & LP                               | FTX400      |
| 20                                   | 100189392  | GAS VALVE ASSEMBLY NAT & LP                               | FTX500      |
| 20                                   | 100189391  | GAS VALVE ASSEMBLY NAT                                    | FTX600      |
| 20                                   | 100189390  | GAS VALVE ASSEMBLY NAT                                    | FTX725      |
| 20                                   | 100189389  | GAS VALVE ASSEMBLY NAT                                    | FTX850      |
| 20                                   | 100341246  | GAS VALVE ASSEMBLY NAT                                    | FTX1000     |
| 20                                   | 100189388  | GAS VALVE ASSEMBLY LP                                     | FTX600      |
| 20                                   | 100189387  | GAS VALVE ASSEMBLY LP                                     | FTX725      |
| 20                                   | 100189386  | GAS VALVE ASSEMBLY LP                                     | FTX850      |
| 20                                   | 100341248  | GAS VALVE ASSEMBLY LP                                     | FTX1000     |
| 21                                   | 100277803  | GAS CUT OFF VALVE 3/4"                                    | FTX500      |
| 21                                   | 100288546  | GAS CUT OFF VALVE 1"                                      | FTX600-850  |
| 21                                   | 100294593  | GAS CUT OFF VALVE 1.25"                                   | FTX1000     |
| 22                                   | 100208761* | GASKET, FAN / VENTURI                                     | FTX400-500  |
| 22                                   | 100233705* | GASKET, FAN / VENTURI                                     | FTX600-1000 |
| 23                                   | 100278070  | VENTURI ASSEMBLY - NATURAL                                | FTX400-500  |
| 23                                   | 100288545  | VENTURI ASSEMBLY - LP                                     | FTX400-500  |
| 23                                   | 100288547  | VENTURI ASSEMBLY  | FTX600      |
| 23                                   | 100288879  | VENTURI ASSEMBLY  | FTX725-850  |
| 23                                   | 100359326  | VENTURI ASSEMBLY - NATURAL - SERIES 110                   | FTX1000     |
| 23                                   | 100359328  | VENTURI ASSEMBLY - LP - SERIES 110                        | FTX1000     |
| 24                                   | 100375766  | GAS VALVE FLANGE W/ GASKET                                | FTX400      |
| 24                                   | 100288880  | GASKET, GAS VALVE   | FTX500      |
| 24                                   | 100288891  | GASKET, GAS VALVE   | FTX600-850  |
| <b>PILOT &amp; BURNER ASSEMBLIES</b> |            |   |             |
| 25                                   | 100165923* | FLAME SENSOR W/ GASKET                                    | ALL         |
| 26                                   | 100233664  | GASKET, FLAME SENSOR                                      | ALL         |
| 27                                   | 100165924* | IGNITOR W/ GASKET   | ALL         |
| 28                                   | 100233662  | GASKET, IGNITOR   | ALL         |

PLEASE HAVE MODEL AND SERIAL NUMBER WHEN ORDERING PARTS  
\*ITEMS DENOTE SUGGESTED INVENTORY PARTS

| ITEM NO.   | PART NO.   | DESCRIPTION   | MODEL         |
|--|------------|---|---------------|
| <b>PILOT &amp; BURNERS ASSEMBLIES (CONTINUED)</b>              |            |   |               |
| 29   | 100188648  | BURNER W/ GASKET  | FTX400        |
| 29   | 100188649  | BURNER W/ GASKET  | FTX500-600    |
| 29   | 100188650  | BURNER W/ GASKET  | FTX725-850    |
| 29   | 100341244  | BURNER W/ GASKET  | FTX1000       |
| 30   | 100288892* | GASKET, BURNER  | FTX400-600    |
| 30   | 100288893* | GASKET, BURNER  | FTX725-1000   |
| 31   | 100189410  | HEAT EXCHANGER DOOR ASSEMBLY                            | FTX400-600    |
| 31   | 100189409  | HEAT EXCHANGER DOOR ASSEMBLY                            | FTX725-850    |
| 31   | 100341258  | HEAT EXCHANGER DOOR ASSEMBLY                            | FTX1000       |
| 32   | 100189408  | PLATE, FAN HEAT EXCHANGER ASSEMBLY                      | FTX400-500    |
| 32   | 100189407  | PLATE, FAN HEAT EXCHANGER ASSEMBLY                      | FTX600        |
| 32   | 100189406  | PLATE, FAN HEAT EXCHANGER ASSEMBLY                      | FTX725-850    |
| 32   | 100341259  | PLATE, FAN HEAT EXCHANGER ASSEMBLY                      | FTX1000       |
| <b>MISCELLANEOUS</b>   |            |   |               |
| 33   | 100274750  | SIGHT GLASS   | ALL           |
| 34   | 100274752  | GASKET, SIGHT GLASS - WHITE                             | ALL           |
| 35   | 100189215  | KIT, SIGHT GLASS W/ GASKETS                             | ALL           |
| 36   | 100189217  | USER INTERFACE/ DISPLAY BEZEL ASSEMBLY - SERIES 100/110 | FTX400 - 850  |
| 36   | 100381515  | USER INTERFACE/ DISPLAY BEZEL ASSEMBLY - SERIES 110/120 | FTX400 - 1000 |
| 37   | 100278236  | DISPLAY BEZEL - SERIES 100/110                          | FTX400 - 850  |
| 38   | 100288909  | BEZEL PROP ROD  | ALL           |
| 39   | 100288910  | HINGE SPRING  | ALL           |
| 40   | 100277718  | CONDENSATE TRAP (PRIOR TO SERIAL #1741)                 | FTX400 - 850  |
| 40   | 100284709  | CONDENSATE TRAP (BEGINNING SERIAL #1741)                | ALL           |
| 41   | 100288163  | HOSE, CONDENSATE  | ALL           |
| 42   | 100208246  | TRANSFORMER, 24V, 60VA                                  | ALL           |
| 43   | 100277824  | FLUTED KNOB W/ SKIRT - SERIES 100/110                   | FTX400 - 850  |
| 44   | 100288908* | HEAT EXCHANGER GASKET SET                               | FTX400 - 600  |
| 44   | 100288921* | HEAT EXCHANGER GASKET SET                               | FTX725 - 850  |
| 44   | 100341260* | HEAT EXCHANGER GASKET SET                               | FTX1000       |
| 45   | 100208561* | SENSOR, FLUE TEMP                                       | ALL           |
| 46   | 100288894  | TOP INSULATION  | FTX400-500    |
| 46   | 100288895  | TOP INSULATION  | FTX600        |
| 46   | 100288896  | TOP INSULATION  | FTX725-850    |
| 46   | 100341262  | TOP INSULATION  | FTX1000       |
| 47   | 100288897  | BLANKET INSULATION                                      | FTX400-600    |
| 47   | 100288898  | BLANKET INSULATION                                      | FTX725-850    |
| 47   | 100341263  | BLANKET INSULATION                                      | FTX1000       |
| 48   | 100288927  | BURNER FIBERBOARD                                       | FTX400-600    |
| 48   | 100288928  | BURNER FIBERBOARD                                       | FTX725-850    |
| 48   | 100341264  | BURNER FIBERBOARD                                       | FTX1000       |
| 49   | 100278091  | UNION ADAPTER   | FTX400-500    |
| 50   | 100288899  | 1" DONUT GASKET   | FTX400-500    |
| 51   | 100309672  | PROBE, LOW WATER CUT-OFF                                | ALL           |
| 52   | 100276822* | LOW WATER CUT-OFF - AUTO / MANUAL RESET                 | ALL           |
| 53   | 100167445  | AIR VENT VALVE  | ALL           |
| 54   | 100189214  | AIR INLET KIT   | FTX400-500    |
| 54   | 100189213  | AIR INLET KIT   | FTX600-850    |
| 54   | 100341266  | AIR INLET KIT   | FTX1000       |
| 55   | 100288558  | COUPLING, AIR INLET, 3" X 4"                            | FTX400-850    |
| 55   | 100375765  | COUPLING, AIR INLET, 5" X 6"                            | FTX1000       |
| 56   | 100275561  | AIR INLET COUPLING, 2" X 3", W/ CLAMPS                  | FTX400-500    |
| 57   | 100208089  | GASKET, VENTURI INLET                                   | FTX600-850    |
| 57   | 100341267  | GASKET, VENTURI INLET                                   | FTX1000       |
| 58   | 100208105  | GASKET, GAS VALVE / VENTURI                             | FTX600-1000   |
| -  | 100208242  | ON / OFF SWITCH W/ I-O SYMBOL                           | ALL           |
| -  | 100208454  | RELIEF VALVE, 3/4", 50 PSI                              | FTX400-600    |
| -  | 100208442  | PRESSURE RELIEF VALVE, 3/4", 50 PSI                     | FTX725-1000   |
| -  | 100208834  | OUTDOOR AIR SENSOR                                      | ALL           |
| <b>PLEASE HAVE MODEL AND SERIAL NUMBER WHEN ORDERING PARTS</b> |            |   |               |
| <b>*ITEMS DENOTE SUGGESTED INVENTORY PARTS</b>                 |            |   |               |

| ITEM NO.                                    | PART NO.  | DESCRIPTION                                   | MODEL       |
|---|-----------|---|-------------|
| <b>MISCELLANEOUS (CONTINUED)</b>            |           |   |             |
| -   | 100208152 | GAUGE TRIOMETER, 75 PSI                       | ALL         |
| -   | 100208552 | SENSOR, SYSTEM / INLET                        | ALL         |
| -   | 100208308 | DOOR CATCH, BLUE - SERIES 100/110             | FTX400-850  |
| -   | 100208818 | DOOR STRIKE - SERIES 100/110                  | FTX400-850  |
| -   | 100277748 | WIRE HARNESS, UNIT - SERIES 100/110           | FTX400-850  |
| -   | 100367814 | WIRE HARNESS, UNIT - SERIES 120               | FTX400-850  |
| -   | 100346594 | WIRE HARNESS, UNIT                            | FTX1000     |
| -   | 100288900 | WIRE HARNESS, POWER                           | FTX400-850  |
| -   | 100346592 | WIRE HARNESS, POWER                           | FTX1000     |
| -   | 100278061 | WIRE HARNESS, FLAME SENSOR ELECTRODE          | ALL         |
| -   | 100208620 | WIRE HARNESS, SPARK ELECTRODE                 | ALL         |
| -   | 100288901 | RIBBON CABLE - SERIES 100/110                 | FTX400-850  |
| -   | 100346596 | COMMUNICATION HARNESS - SERIES 120            | FTX400-850  |
| -   |           | COMMUNICATION HARNESS                         | FTX1000     |
| -   | 100288902 | WIRE HARNESS, GAS VALVE                       | FTX400-500  |
| -   | 100299111 | WIRE HARNESS, GAS VALVE                       | FTX600-1000 |
| -   | 100170645 | SYSTEM SENSOR KIT W/ BULBWELL                 | ALL         |
| -   | 100189160 | INSTALLATION KIT                              | FTX400-600  |
| -   | 100189161 | INSTALLATION KIT                              | FTX725-850  |
| -   | 100341351 | INSTALLATION KIT                              | FTX1000     |
| -   | 100189174 | LP CONVERSION KIT                             | FTX400-500  |
| -   | 100189175 | LP CONVERSION KIT                             | FTX600-850  |
| -   | 100341272 | LP CONVERSION KIT                             | FTX1000     |
| -   | 100289529 | USER INTERFACE OVERLAY LABEL - SERIES 100/110 | FTX400-850  |
| <b>JACKET ASSEMBLY</b>                      |           |   |             |
| 59  | 100189062 | JACKET, OUTER FRONT - SERIES 100/110          | FTX400-850  |
| 59  | 100367815 | JACKET, OUTER FRONT - SERIES 120              | FTX400-850  |
| 59  | 100341269 | JACKET, OUTER FRONT - SERIES 110              | FTX1000     |
| 60  | 100189063 | JACKET, OUTER RIGHT - SERIES 100/110          | FTX400-850  |
| 60  | 100367816 | JACKET, OUTER RIGHT - SERIES 120              | FTX400-850  |
| 60  | 100341270 | JACKET, OUTER RIGHT - SERIES 110              | FTX1000     |
| 61  | 100189064 | JACKET, OUTER LEFT - SERIES 100/110           | FTX400-850  |
| 61  | 100367818 | JACKET, OUTER LEFT - SERIES 120               | FTX400-850  |
| 61  | 100341271 | JACKET, OUTER LEFT - SERIES 110               | FTX1000     |
| 62  | 100381516 | JACKET, OUTER TOP - SERIES 120                | FTX400-850  |
| 62  | 100381517 | JACKET, OUTER TOP - SERIES 110                | FTX1000     |
| <b>ANNUAL PREVENTATIVE MAINTENANCE KITS</b> |           |   |             |
| -   | 100320868 | KIT, PM SERVICE                               | FTX400-500  |
| -   | 100320870 | KIT, PM SERVICE                               | FTX600      |
| -   | 100320881 | KIT, PM SERVICE                               | FTX725-850  |
| -   | 100363401 | KIT, PM SERVICE                               | FTX1000     |

PLEASE HAVE MODEL AND SERIAL NUMBER WHEN ORDERING PARTS  
\*ITEMS DENOTE SUGGESTED INVENTORY PARTS

