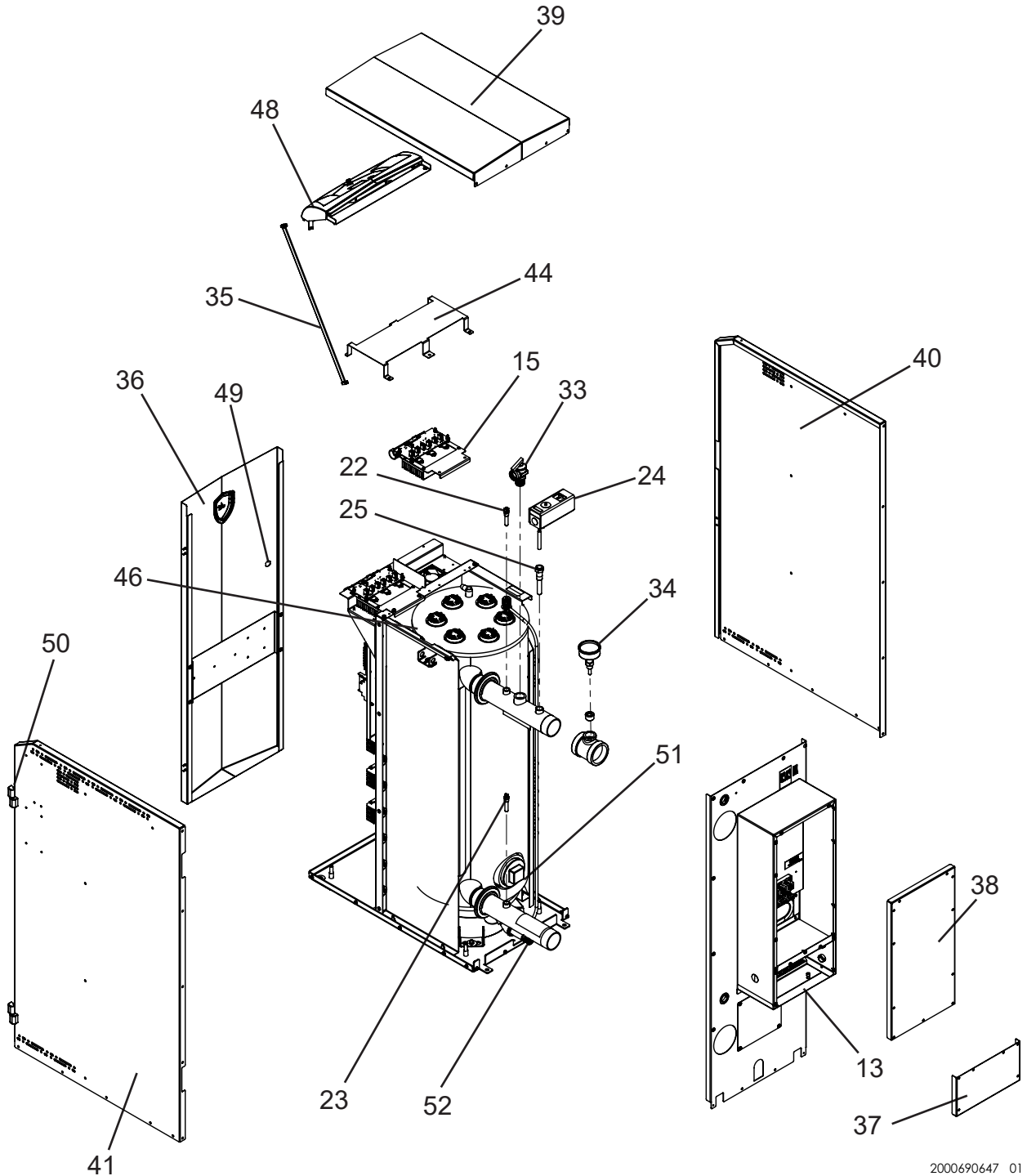




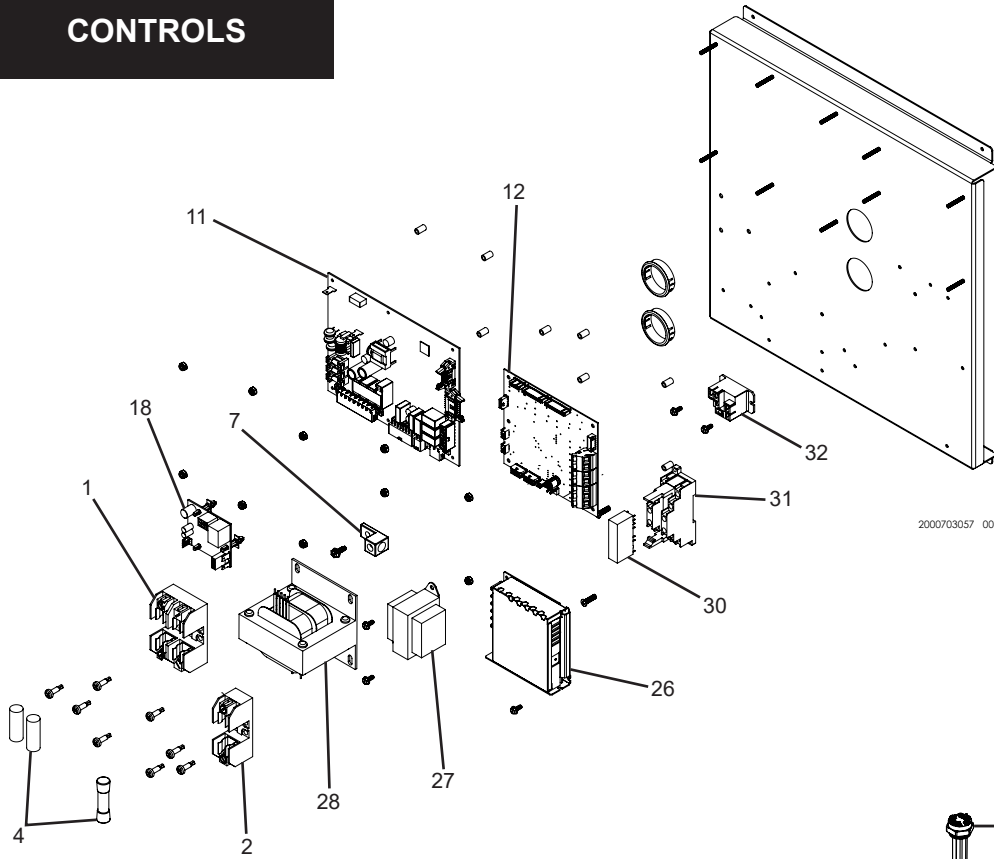
PARTS & SERVICE DEPARTMENT
 Nashville, Tennessee
 877-554-5544 • Fax: 615-882-2918
 parts_team@lochinvar.com
 www.Lochinvar.com

Replacement Parts List

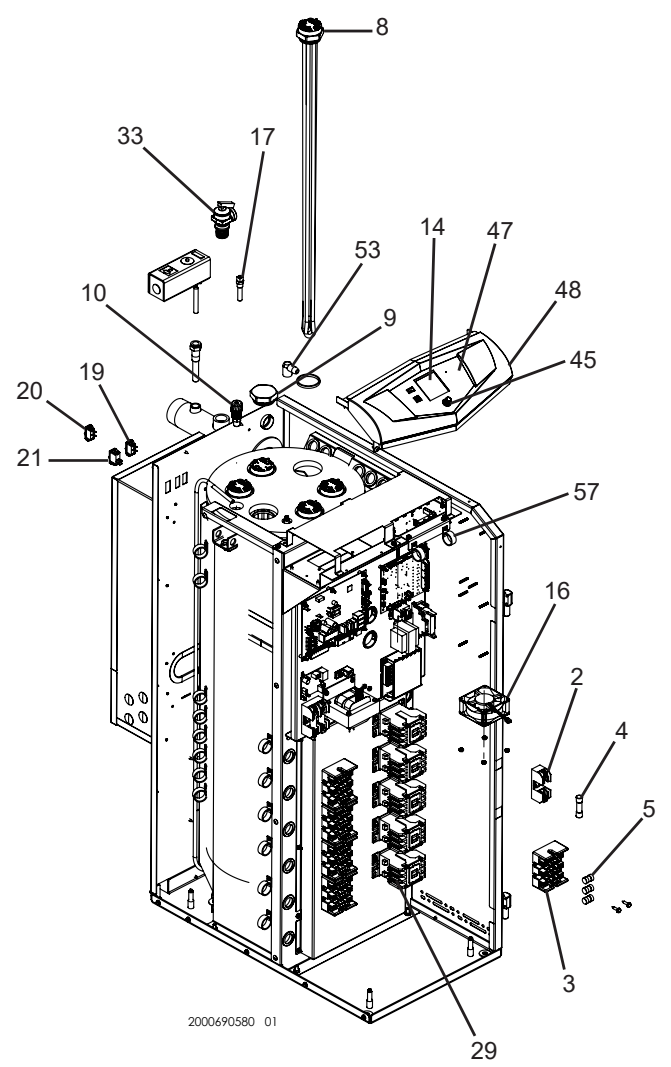
**Lectrus
 Electric Boiler
 KEB0015-0150**



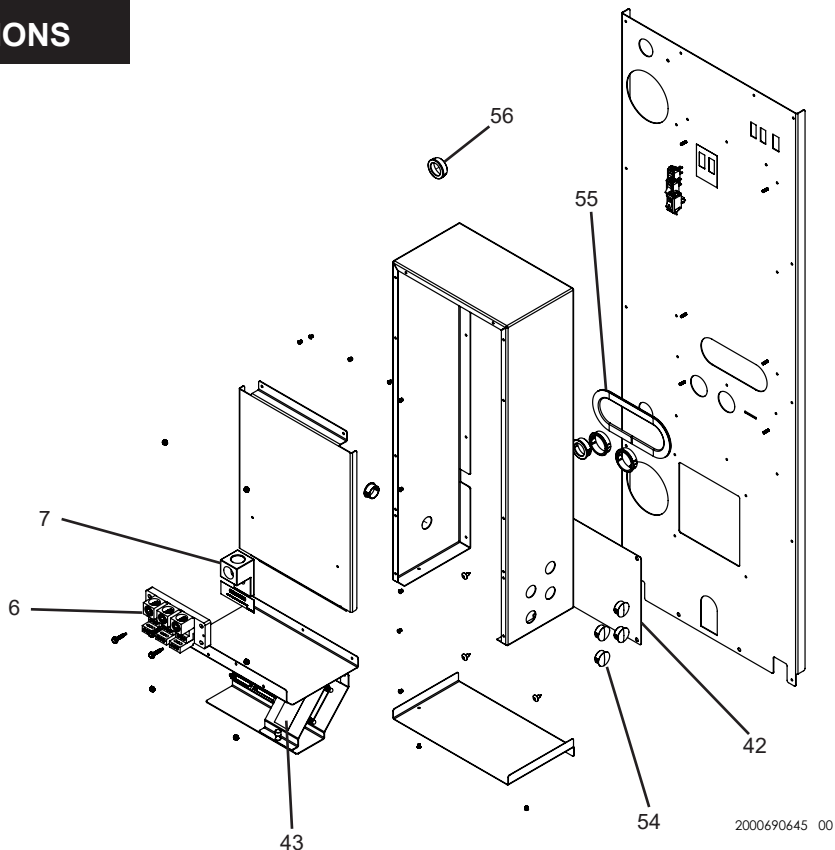
CONTROLS



FRONT COMPONENTS & TANK



BACK CONNECTIONS



ITEM NO.	PART NO.	DESCRIPTION	MODEL
FUSE BLOCKS			
1	100308478	FUSE BLOCK (PRIMARY CONTROL CIRCUIT), 600V, 30A*, 2 POLE	KEB0015-0150 -X/N
1	100308479	FUSE BLOCK (PRIMARY CONTROL CIRCUIT), 250V, 30A*, 2 POLE	KEB0015-0150 -A/K
2	100308480	FUSE BLOCK (SECONDARY CONTROL CIRCUIT), 1 POLE	ALL
3	100374148	FUSE BLOCK, 300V, 30A*, 3 POLE	KEB0015-0150 -A
3	100308601	FUSE BLOCK, 300V, 60A*, 3 POLE	KEB0015-0150 -K
3	100374149	FUSE BLOCK, 600V, 30A*, 3 POLE	KEB0015-0075 -X/N
3	100308693	FUSE BLOCK, 600V, 60A*, 3 POLE	KEB0090-0150 -X/N
FUSES			
4	100208810	FUSE, 600V (PRIMARY 480/600V CONTROL CIRCUIT), 15 AMP*	KEB0015-0150 -X/N (PRIMARY)
4	100308628	FUSE, 250V (PRIMARY 208/240V & SECONDARY CONTROL CIRCUIT), 15 AMP*	KEB0015-0150 -A/K (PRIMARY) ALL (SECONDARY)
5	100374150	FUSE, 300V, 30 AMP*	KEB0015-0150 -A
5	100208814	FUSE, 300V, 60 AMP*	KEB0015-0150 -K
5	100208811	FUSE, 600V, 25 AMP*	KEB0015-0075 -N
5	100341727	FUSE, 600V, 30 AMP*	KEB0015-0075 -X
5	100308645	FUSE, 600V, 50 AMP*	KEB0090-0150 -N
5	100309455	FUSE, 600V, 60 AMP*	KEB0090-0150 -X
TERMINAL BLOCKS / GROUNDING LUGS			
6	100308604	TERMINAL BLOCK, 600V, 310A, 2 POLE*	KEB0015-0150 -A
6	100308605	TERMINAL BLOCK, 600V, 175A, 3 POLE*	KEB0015-0045 -K KEB0015-0075 -X KEB0015-0105 -N
6	100308606	TERMINAL BLOCK, 600V, 310A, 3 POLE*	KEB0060-0075 -K KEB0090-0150 -X KEB0120-0150 -N
6	100308607	TERMINAL BLOCK, 600V, 380A, 3 POLE*	KEB0090 - K
6	100374019	TERMINAL BLOCK. DUAL, 600V, 510A, 3 POLE*	KEB0105-0150 -K

PLEASE HAVE MODEL AND SERIAL NUMBER WHEN ORDERING PARTS
*ITEMS DENOTE SUGGESTED INVENTORY PARTS

ITEM NO.	PART NO.	DESCRIPTION	MODEL
TERMINAL BLOCKS / GROUNDING LUGS (CONTINUED)			
7	100374020	GROUNDING LUG, 2 to 14 AWG	ALL
7	100374071	GROUNDING LUG, 0 to 14 AWG	KEB0015-K KEB0015-0075 -X KEB0015-0075 -N
7	100374072	GROUNDING LUG, 250 MCM to 6 AWG	KEB0015-0060 -K KEB0105-0135 -K KEB0090-0150 -X KEB0090-0150 -N
7	100374073	GROUNDING LUG, 500 MCM to 4 AWG	KEB0075-0090 -K & KEB0150-K
SCREW-IN ELEMENTS / GASKET / SCREW-IN PLUG			
8	100374074	ELECTRIC ELEMENT SCREW-IN W/ GASKET, 15,000 WATTS, 208V*	KEB0015-0150 -A
8	100374075	ELECTRIC ELEMENT SCREW-IN W/ GASKET, 15,000 WATTS, 240V*	KEB0015-0150 -K
8	100374076	ELECTRIC ELEMENT SCREW-IN W/ GASKET, 15,000 WATTS, 480V*	KEB0015-0150 -X
8	100374078	ELECTRIC ELEMENT SCREW-IN W/ GASKET, 15,000 WATTS, 600V*	KEB0015-0150 -N
-	100374079	GASKET SCREW-IN COMPONENT	ALL
9	100308689	PLUG SCREW-IN W/ GASKET, 1-1/2" NPSM	ALL
10	100167445	AIR VENT, 1/4", 150PSI	ALL
CONTROLS / MODULATION / LWCO			
11	100374085	CONTROL BOARD - MAIN	ALL
12	100374084	CONTROL BOARD - MODULATION	ALL
13	100374086	CONNECTION BOARD	ALL
14	100374087	CONTROL INTERFACE	ALL
15	100374083	TRIAC ASSEMBLY (15-75 kW = QTY1, 90-150K kW = QTY 2)	ALL
16	100374082	ELECTRICAL, TRIAC COOLING FAN	ALL
17	100374080	PROBE,LWCO,3/8NPT,1.17	ALL
18	100374081	LWCO,24V,AUTO,MANUAL RESET	ALL
SWITCHES / SENSORS / MRHL			
19	100277797	SWITCH,MOMENTARY, 20A,125V,RED	ALL
20	100277798	SWITCH,MOMENTARY, 20A,125V,BLACK	ALL
21	100208242	SWITCH,OFF/ON, 15A,250V,1PL,BLACK	ALL
22	100208544	TSTAT,SENSOR,OUTLET	ALL
23	100208549	TSTAT,SENSOR,INLET	ALL
-	100370673	TSTAT, OUTDOOR	ALL
24	100374968	MANUAL RESET HIGH LIMIT, 230°F	ALL
25	100378115	HIGH LIMIT BULB WELL	ALL
POWER SUPPLY / RELAYS			
26	100374088	POWER SUPPLY, AC/DC, 120VAC - 24VDC	ALL
27	100308653	TRANSFORMER, AC/AC, 120VAC - 24VAC	ALL
28	100374089	TRANSFORMER, AC/AC, 208/240/480/600VAC - 120VAC 50VA	ALL
29	100208805	CONTACTOR, 600VAC, 50A, 3 POLE	ALL
30	100374090	RELAY, SAFETY MONITOR 24VDC, 6 POLE	ALL
31	100374091	RELAYS, SAFETY MONITOR SOCKET, 6 POLE	ALL
32	100208491	RELAY, R6 LWCO, 24VDC, 2 POLE	ALL
RELIEF VALVES / GAUGES			
33	100208454	SAFETY RELIEF VALVE, 50PSI, 697MBTU	ALL
34	100208156	GAUGE, T&P, 0-75PSI,50-320F	ALL
HARNES			
35	100374114	CABLE,RIBBON,INTERFACE	ALL
JACKET			
36	100374133	DOOR, ASSEMBLY, FRONT	KEB0105-0150 - A/K/X/N
36	100374134	DOOR, ASSEMBLY, FRONT	KEB0015-0090 - A/K/X/N
37	100374135	CONNECTION BOARD COVER	KEB0015-0090 - A/K/X/N
37	100374136	CONNECTION BOARD COVER	KEB0105-0150 - A/K/X/N
38	100374137	JUNCTION BOX COVER	KEB0015-0090 - A/K/X/N
38	100374138	JUNCTION BOX COVER	KEB0105-0150 - A/K/X/N
39	100374139	TOP PANEL	KEB0015-0090 - A/K/X/N
39	100374140	TOP PANEL	KEB0105-0150 - A/K/X/N
40	100374141	LEFT PANEL	KEB0015-0090 - A/K/X/N
PLEASE HAVE MODEL AND SERIAL NUMBER WHEN ORDERING PARTS *ITEMS DENOTE SUGGESTED INVENTORY PARTS			

ITEM NO.	PART NO.	DESCRIPTION	MODEL
JACKET (CONTINUED)			
40	100374142	LEFT PANEL	KEB0105-0150 - A/K/X/N
41	100374143	RIGHT PANEL	KEB0015-0090 - A/K/X/N
41	100374144	RIGHT PANEL	KEB0105-0150 - A/K/X/N
42	100374145	INSPECTION OPENING COVER	ALL
43	100374146	PUMP CONNECTION COVER	ALL
44	100378116	TRIAC COVER	KEB0015-0090 - A/K/X/N
44	100378117	TRIAC COVER	KEB0105-0150 - A/K/X/N
MISCELLANEOUS			
45	100277824	FLUTED KNOB W/ SKIRT	ALL
46	100374092	TOP INSULATION	KEB0105-0150 - A/K/X/N
46	100374093	TOP INSULATION	KEB0015-0090 - A/K/X/N
47	100374094	OVERLAY	ALL
48	100374095	BEZEL PLASTIC 21"	KEB0105-0150 - A/K/X/N
48	100374096	BEZEL PLASTIC 16"	KEB0015-0090 - A/K/X/N
49	100374100	DOOR LOCK	ALL
50	100374111	DOOR HINGES	ALL
51	100374112	PLUG, INSPECTION OPENING, 3" NPT, BRASS	ALL
52	100327589	DRAIN VALVE, 3/4" NPT, BRASS	ALL
53	100277801	BOOT, LOW WATER CUT OFF	ALL
54	100374199	KNOCKOUT CAP, 7/8"	ALL
55	100374117	TRIM EDGE, 15"	ALL
56	100374119	WIRE BUSHING	ALL
57	100374118	CLIP, HARNESS, 1"	ALL
-	100208552	SYSTEM SENSOR KIT	ALL

PLEASE HAVE MODEL AND SERIAL NUMBER WHEN ORDERING PARTS
*ITEMS DENOTE SUGGESTED INVENTORY PARTS

NOTES

NOTES

