

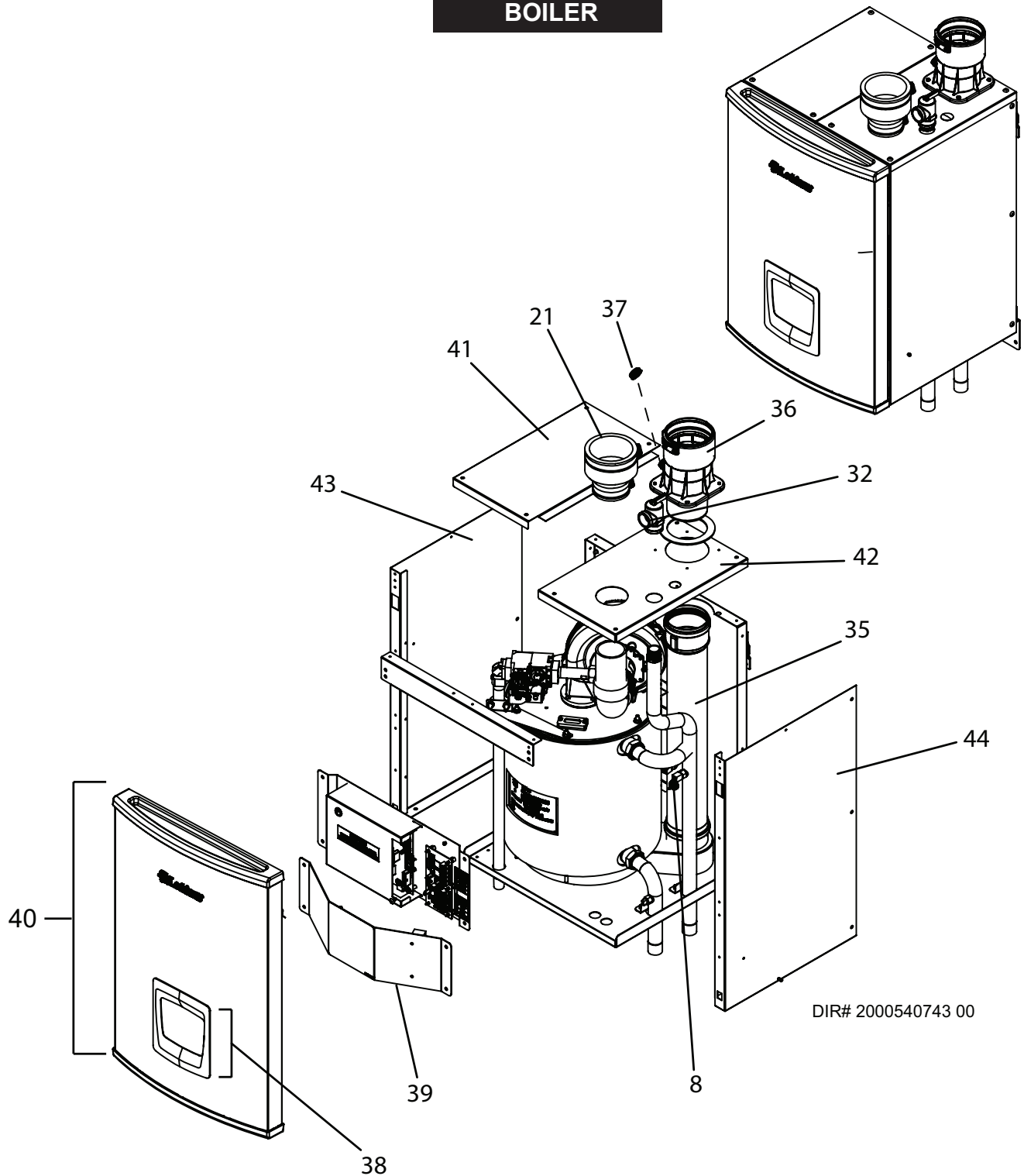


**PARTS & SERVICE DEPARTMENT**  
 Nashville, Tennessee  
 877-554-5544 • Fax: 615-882-2918  
 parts\_team@lochinvar.com  
 www.lochinvar.com

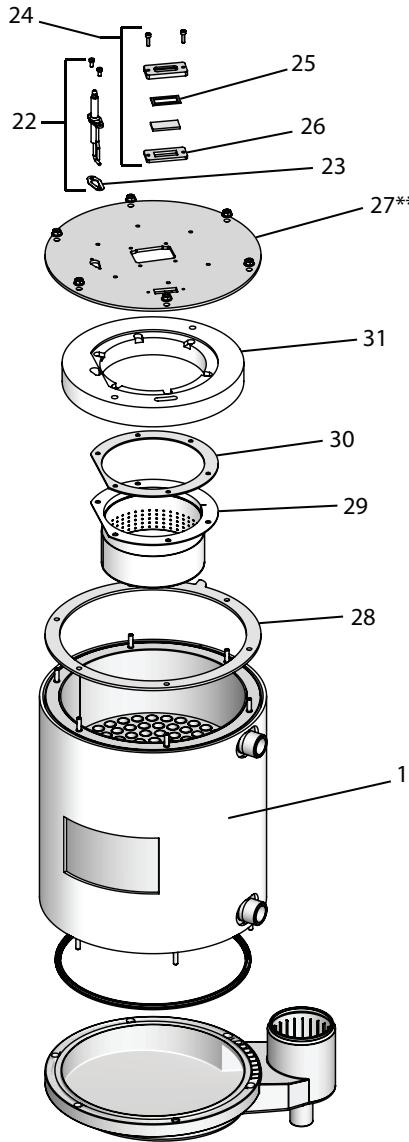
## Replacement Parts List

**Noble Boiler & Combi**  
 NKB 080 - 199 (N,L)  
 NKC 110 - 199 (N,L)  
 NCF 110 - 199 (N,L)  
 Series 100 - 101 & 110 - 111

### BOILER

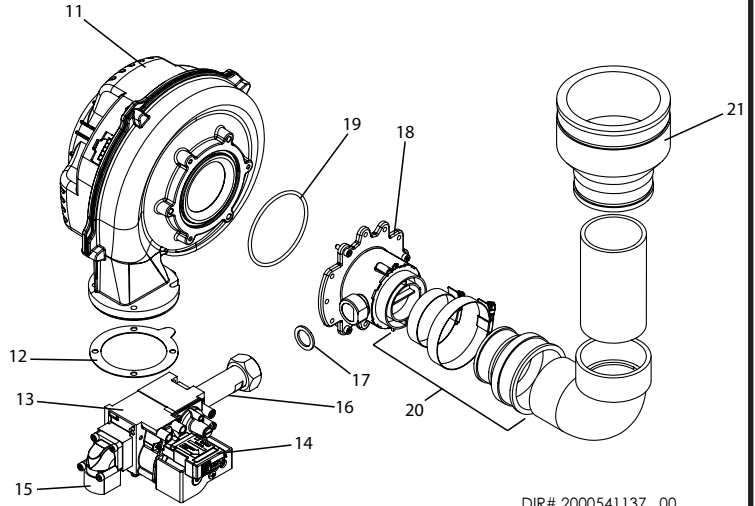


# HEAT EXCHANGER



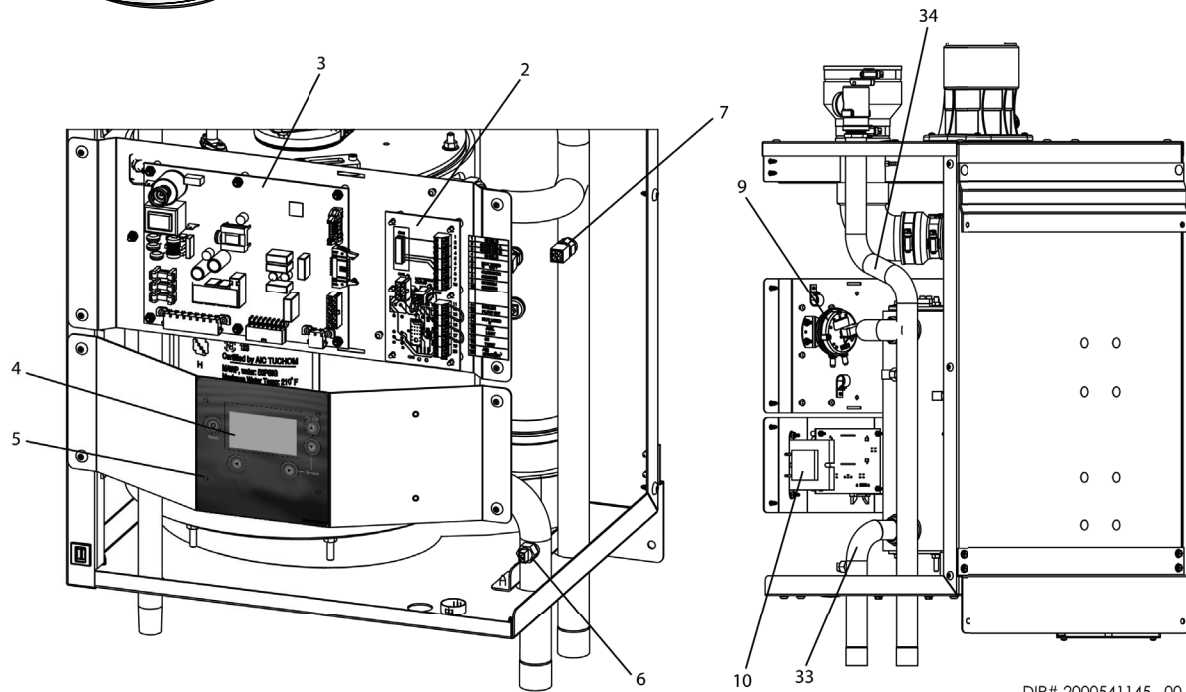
The Heat Exchanger  
 \*\*Top Plate Assembly  
 includes item num-  
 bers 12, 17, 23, 25,  
 26, 27, 28, 30, and  
 31.

# GAS TRAIN



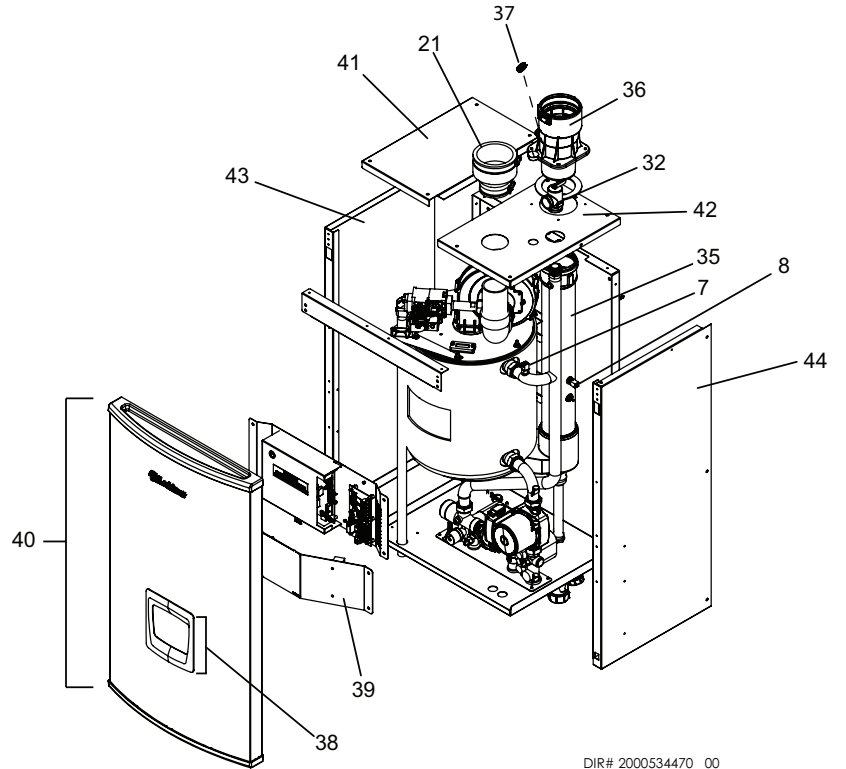
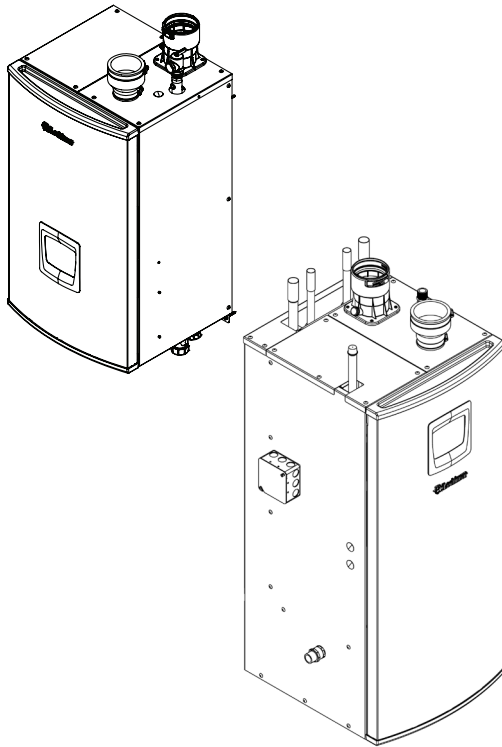
DIR# 2000541137 00

# BOILER CONTROLS

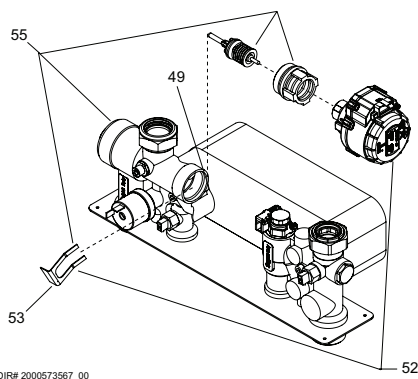


DIR# 2000541145 00

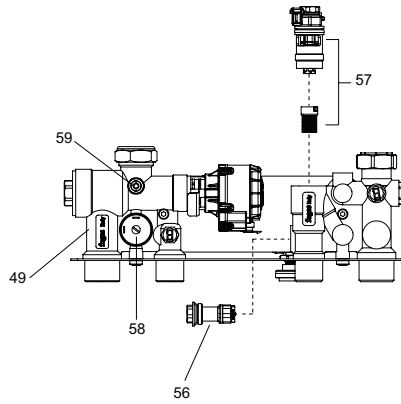
# COMBI



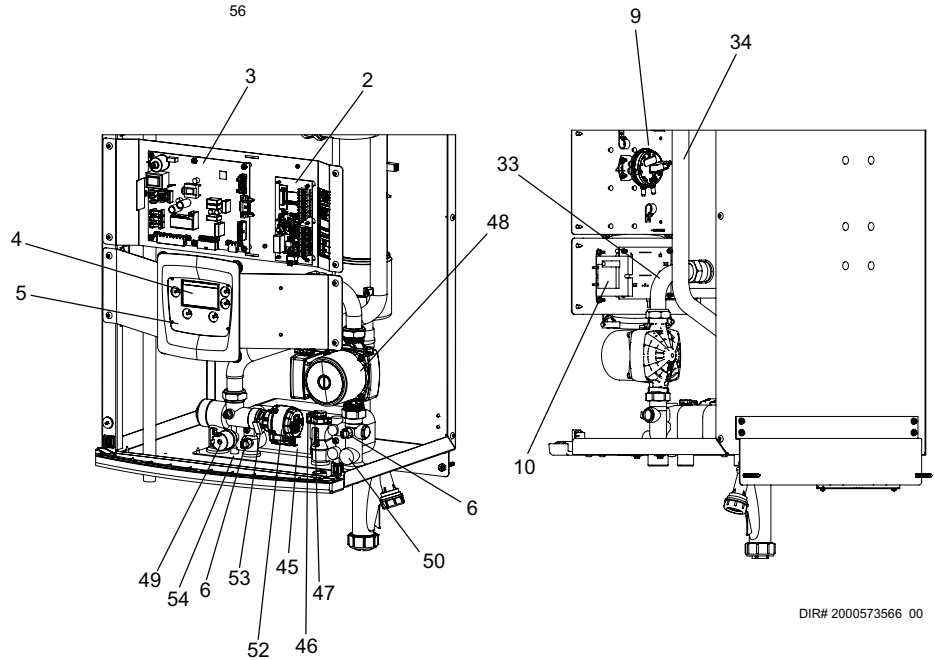
DIR# 2000534470 00



DIR# 2000573567 00



# COMBI CONTROLS



DIR# 2000573566 00

ITEM NO.	PART NO.	DESCRIPTION	MODEL
<b>HEAT EXCHANGER ASSEMBLIES</b>			
1	100275478	HEAT EXCHANGER ASSEMBLY	NKB / NKC / NCF110
1	100275479	HEAT EXCHANGER ASSEMBLY	NKB / NKC / NCF150
1	100275480	HEAT EXCHANGER ASSEMBLY	NKB / NKC / NCF199
1	100284352	HEAT EXCHANGER ASSEMBLY	NKB 080
<b>CONTROLS</b>			
2	100275502*	CONNECTION BOARD	NKC / NCF110 - 199
2	100284350*	CONNECTION BOARD	NKB 080 - 199
3	100275507*	CONTROL BOARD, MAIN	NKC / NCF110
3	100345862*	CONTROL BOARD, MAIN	NKC / NCF150
3	100346296*	CONTROL BOARD, MAIN	NKC / NCF199
3	100275522	CONTROL BOARD, MAIN - HIGH ALTITUDE	NKC / NCF110
3	100361276	CONTROL BOARD, MAIN - HIGH ALTITUDE	NKC / NCF150
3	100361277	CONTROL BOARD, MAIN - HIGH ALTITUDE	NKC / NCF199
3	100339969*	CONTROL BOARD, MAIN	NKB 080
3	100284346*	CONTROL BOARD, MAIN	NKB 110
3	100346299*	CONTROL BOARD, MAIN	NKB 150
3	100346300*	CONTROL BOARD, MAIN	NKB 199
3	100339970	CONTROL BOARD, MAIN - HIGH ALTITUDE	NKB 080
3	100284341	CONTROL BOARD, MAIN - HIGH ALTITUDE	NKB 110
3	100361274	CONTROL BOARD, MAIN - HIGH ALTITUDE	NKB 150
3	100361275	CONTROL BOARD, MAIN - HIGH ALTITUDE	NKB 199
4	100275525	CONTROL BOARD, USER INTERFACE	ALL
5	100275526	LABEL, CONTROL OVERLAY	ALL
6	100208560*	SENSOR, INLET / DHW	ALL
7	100208547*	SENSOR, OUTLET / HIGH LIMIT	ALL
8	100275527*	SENSOR, FLUE W/ GROMMET	ALL
-	100208834	SENSOR, OUTDOOR AIR	ALL
9	100275596*	SWITCH, PRESSURE	ALL
10	100208230	TRANSFORMER - 24V, 40VA	ALL
<b>GAS TRAIN</b>			
11	100266999*	FAN ASSEMBLY W/ GASKET	NKB080-150, NKC/NCF110-150
11	100318771*	FAN ASSEMBLY W/ GASKET	NKB / NKC / NCF199
12	100208101*	GASKET, FAN	ALL
13	100275532	GAS VALVE ASSEMBLY W/ GASKET	NKB 080
13	100351235	GAS VALVE ASSEMBLY W/ GASKET	NKB/NKC/NCF 110
13	100351237	GAS VALVE ASSEMBLY W/ GASKET	NKB/NKC/NCF 150
13	100351238	GAS VALVE ASSEMBLY W/ GASKET	NKB/NKC/NCF 199
14	100275533	SWITCH, GAS VALVE - ON/OFF	ALL
15	100275534	FLANGE, GAS VALVE W/ GASKET	ALL
16	100276451	ADAPTER, GAS VALVE W/ GASKET	NKB 080 - 110, NKC/NCF 110
16	100275537	ADAPTER, GAS VALVE W/ GASKET	NKB / NKC / NCF 150
16	100276430	ADAPTER, GAS VALVE W/ GASKET	NKB / NKC / NCF 199
17	100275538	GASKET, GAS VALVE ADAPTER	ALL
18	100275539	VENTURI, NAT.	NKB080 - 110, NKC/NCF110 N
18	100284322	VENTURI, NAT.	NKB / NKC / NCF 150 N
18	100275540	VENTURI, NAT	NKB / NKC / NCF 199 N
18	100361273	LP CONVERSION KIT (BEGINNING SERIAL #2230)	NKB 080 L
18	100275546	LP CONVERSION KIT (BEGINNING SERIAL #2230)	NKB / NKC / NCF 110 L
18	100346280	LP CONVERSION KIT (BEGINNING SERIAL #2230)	NKB / NKC / NCF 150 L
18	100346292	LP CONVERSION KIT (BEGINNING SERIAL #2230)	NKB / NKC / NCF 199 L
18	100339889	LP CONVERSION KIT - STANDARD ALTITUDE (PRIOR TO SERIAL #2230)	NKB 080 L
18	100346295	LP CONVERSION KIT - STANDARD ALTITUDE (PRIOR TO SERIAL #2230)	NKB 110 L
18	100346294	LP CONVERSION KIT - STANDARD ALTITUDE (PRIOR TO SERIAL #2230)	NKB 150 L
18	100346293	LP CONVERSION KIT - STANDARD ALTITUDE (PRIOR TO SERIAL #2230)	NKB 199 L
18	100339957	LP CONVERSION KIT - HIGH ALTITUDE (PRIOR TO SERIAL #2230)	NKB 080 L
18	100361584	LP CONVERSION KIT - HIGH ALTITUDE (PRIOR TO SERIAL #2230)	NKB 110 L
18	100361291	LP CONVERSION KIT - HIGH ALTITUDE (PRIOR TO SERIAL #2230)	NKB 150 L
<b>PLEASE HAVE MODEL AND SERIAL NUMBER WHEN ORDERING PARTS</b>			
<b>*ITEMS DENOTE SUGGESTED INVENTORY PARTS</b>			

ITEM NO.	PART NO.	DESCRIPTION	MODEL
<b>PILOT AND BURNER ASSEMBLIES</b>			
18	100361293	LP CONVERSION KIT - HIGH ALTITUDE (PRIOR TO SERIAL #2230)	NKB 199 L
18	100346278	LP CONVERSION KIT - STANDARD ALTITUDE (PRIOR TO SERIAL #2230)	NKC / NCF 110 L
18	100346279	LP CONVERSION KIT - STANDARD ALTITUDE (PRIOR TO SERIAL #2230)	NKC / NCF 150 L
18	100346291	LP CONVERSION KIT - STANDARD ALTITUDE (PRIOR TO SERIAL #2230)	NKC / NCF199 L
18	100361585	LP CONVERSION KIT - HIGH ALTITUDE (PRIOR TO SERIAL #2230)	NKC / NCF110 L
18	100361292	LP CONVERSION KIT - HIGH ALTITUDE (PRIOR TO SERIAL #2230)	NKC / NCF150 L
18	100361294	LP CONVERSION KIT - HIGH ALTITUDE (PRIOR TO SERIAL #2230)	NKC / NCF199 L
19	<b>100277743*</b>	GASKET, VENTURI O-RING	NKB080-150, NKC/NCF110-150
19	<b>100208761*</b>	GASKET, VENTURI O-RING	NKB / NKC / NCF199
20	<b>100275550</b>	COUPLING, VENTURI W/ CLAMPS	ALL
21	<b>100275561</b>	COUPLING, AIR INLET	ALL
22	<b>100275562*</b>	KIT, IGNITOR W/ GASKET & SCREWS	ALL
23	<b>100208086</b>	GASKET, IGNITOR	ALL
24	<b>100189215</b>	KIT, SIGHT GLASS W/ GASKETS	ALL
25	<b>100274752</b>	GASKET, SIGHT GLASS, WHITE	ALL
26	<b>100274751</b>	GASKET, SIGHT GLASS, RED	ALL
27	<b>100284307**</b>	HEAT EXCHANGER TOP PLATE ASSEMBLY	NKB 080
27	<b>100275567**</b>	HEAT EXCHANGER TOP PLATE ASSEMBLY	NKB / NKC / NCF110
27	<b>100275568**</b>	HEAT EXCHANGER TOP PLATE ASSEMBLY	NKB / NKC / NCF150
27	<b>100275569**</b>	HEAT EXCHANGER TOP PLATE ASSEMBLY	NKB / NKC / NCF199
28	<b>100284305</b>	GASKET, HEAT EXCHANGER TOP PLATE	NKB 080
28	<b>100275572</b>	GASKET, HEAT EXCHANGER TOP PLATE	NKB / NKC / NCF110
28	<b>100275573</b>	GASKET, HEAT EXCHANGER TOP PLATE	NKB / NKC / NCF150
28	<b>100275575</b>	GASKET, HEAT EXCHANGER TOP PLATE	NKB / NKC / NCF199
29	<b>100284303*</b>	BURNER W/ GASKET	NKB 080
29	<b>100275577*</b>	BURNER W/ GASKET	NKB / NKC / NCF110
29	<b>100275578*</b>	BURNER W/ GASKET	NKB / NKC / NCF150
29	<b>100275580*</b>	BURNER W/ GASKET	NKB / NKC / NCF199
30	<b>100284302</b>	GASKET, BURNER	NKB 080
30	<b>100275582</b>	GASKET, BURNER	NKB / NKC / NCF110
30	<b>100275583</b>	GASKET, BURNER	NKB / NKC / NCF150 - 199
31	<b>100284290</b>	INSULATION, TOP PLATE	NKB 080
31	<b>100275584</b>	INSULATION, TOP PLATE	NKB / NKC / NCF110
31	<b>100275585</b>	INSULATION, TOP PLATE	NKB / NKC / NCF150
31	<b>100275586</b>	INSULATION, TOP PLATE	NKB / NKC / NCF199
<b>MISCELLANEOUS</b>			
32	<b>100275587</b>	RELIEF VALVE, 50 PSI	ALL NKC/NCF
32	<b>100284289</b>	RELIEF VALVE, 30 PSI	ALL NKB
33	<b>100284288</b>	WATER TUBE, INLET	NKB 080 - 199
33	<b>100275588</b>	WATER TUBE, INLET - COMBI	NKC/ NCF 110 - 199
34	<b>100284287</b>	WATER TUBE, OUTLET	NKB 080 - 199
34	<b>100275589</b>	WATER TUBE, OUTLET - COMBI	NKC/ NCF 110 - 199
-	<b>100319654</b>	GASKET SET, WATER TUBE	ALL
-	<b>100275597*</b>	CONDENSATE TRAP ASSEMBLY	ALL NKC/ NCF
-	<b>100284286*</b>	CONDENSATE TRAP ASSEMBLY	ALL NKB
35	<b>100275599</b>	FLUE CONNECTION PIPE, 3" CPVC	ALL
36	<b>100275600</b>	FLUE ADAPTER, 3" PVC W/ ANALYZER PORT	ALL
-	<b>100287212</b>	GASKET, FLUE ADAPTER, 80 MM	ALL
-	<b>100284239</b>	SHUTTER, AIR - LP	NKB / NKC/ NCF 110 L
-	100361579	SHUTTER, AIR - NATURAL AND LP	NKB 080
-	100361580	SHUTTER, AIR - NATURAL AND LP	NKB / NKC/ NCF 150
-	<b>100275604</b>	HARNESS, POWER - COMBI	NKC / NCF110 - 199
-	100361581	SHUTTER, AIR - NATURAL AND LP	NKB / NKC / NCF199
-	<b>100284236</b>	HARNESS, UNIT	NKB 080 - 199
-	<b>100275616</b>	HARNESS, MAIN UNIT	NKC / NCF110 - 199

**PLEASE HAVE MODEL AND SERIAL NUMBER WHEN ORDERING PARTS**  
**\*ITEMS DENOTE SUGGESTED INVENTORY PARTS**

ITEM NO.	PART NO.	DESCRIPTION	MODEL
<b>MISCELLANEOUS (CONTINUED)</b>			
-	100284235	HARNESS, POWER	NKB 080 - 199
-	100284234	HARNESS, SPARK IGNITOR	ALL
-	100275606	HARNESS, CONNECTION BOARD	ALL
-	100312423	RIBBON CABLE	ALL
-	100286123	OUTLET, LWCO, AIR VENT AUTO	ALL
37	100278305	COMBUSTION ANALYZER PORT COVER	ALL
<b>JACKET ASSEMBLIES</b>			
38	100275609	KIT, DISPLAY BEZEL W/ CLIPS	ALL
39	100275610	KIT, BEZEL BRACKET W/ CONTROL OVERLAY LABEL	NKB080 - 199, NKC/NCF110
39	100275631	KIT, BEZEL BRACKET W/ CONTROL OVERLAY LABEL	NKC/ NCF 150 - 199
40	100284105	JACKET, OUTER FRONT DOOR ASSEMBLY	ALL
40	100275637	JACKET, OUTER FRONT DOOR ASSEMBLY	NKC 110
40	100275638	JACKET, OUTER FRONT DOOR ASSEMBLY	NKC 150 - 199
40	100363754	JACKET, OUTER FRONT DOOR ASSEMBLY	NCF 110
40	100363755	JACKET, OUTER FRONT DOOR ASSEMBLY	NCF 150 - 199
-	100284114	JACKET, OUTER TOP FRONT	NKB 080
-	100284113	JACKET, OUTER TOP FRONT	NKB 110
-	100275632	JACKET, OUTER TOP FRONT	NKC/ NCF 110
-	100284111	JACKET, OUTER TOP BACK	NKB 080
-	100284110	JACKET, OUTER TOP BACK	NKB 110
41	100284109	JACKET, OUTER TOP, LEFT	NKB 150
41	100275633	JACKET, OUTER TOP - LEFT	NKC/ NCF 150 - 199
42	100284107	JACKET, OUTER TOP - RIGHT	NKB 150
42	100318329	JACKET, OUTER TOP - RIGHT	NKB 199
42	100275634	JACKET, OUTER TOP - RIGHT	NKC/ NCF 150
42	100275635	JACKET, OUTER TOP - RIGHT	NKC/ NCF 199
43	100284104	JACKET, OUTER LEFT SIDE	NKB 080
43	100284103	JACKET, OUTER LEFT SIDE	NKB 110 - 199
43	100275639	JACKET, OUTER LEFT SIDE	NKC 110 - 199
43	100370792	JACKET, OUTER LEFT SIDE	NCF 110 - 199
44	100284102	JACKET, OUTER RIGHT SIDE	NKB 080
44	100284101	JACKET, OUTER RIGHT SIDE	NKB 110 - 199
44	100275640	JACKET, OUTER RIGHT SIDE	NKC 110 - 199
44	100370791	JACKET, OUTER RIGHT SIDE	NCF 110 - 199
<b>COMBI WATERSET COMPONENTS</b>			
45	100275501	HEAT EXCHANGER ASSEMBLY, BRAZED PLATE	NKC/ NCF 110 - 199
46	100275528*	SENSOR, FLOW	NKC/ NCF 110 - 199
47	100278304*	SWITCH, FLOW W/ GREASE COMPOUND	NKC/ NCF 110 - 199
48	100275607*	PUMP ASSEMBLY W/ GASKETS	NKC/ NCF 110 - 199
49	100318269	FLOW GROUP W/ GASKETS, OUTLET PIPE, UNIT HARNESS (PRIOR TO SERIAL #1919)	NKC/ NCF 110 - 199
49	100318322	FLOW GROUP W/ GASKETS (BEGINNING SERIAL #1919)	NKC/ NCF 110 - 199
50	100275592	RETURN GROUP W/ GASKETS	NKC/ NCF 110 - 199
51	100275593	GASKET, HEX TO FLOW GROUP	NKC/ NCF 110 - 199
52	100275594	DIVERTER MOTOR W/ CLIP	NKC/ NCF 110 - 199
53	100276429	CLIP, DIVERTER MOTOR	NKC/ NCF 110 - 199
-	100363751	WATER PIPE, CLAMPS, 3/4"	ALL NCF
-	100363752	WATER PIPE, CLAMPS, 1"	ALL NCF
-	100363750	CONDENSATE HOSE, 1"	ALL NCF
-	100275598	HOSE, CONDENSATE TRAP	NKC/ NCF 110 - 199
54	100276452	MOUNTING PLATE, WATERSET	NKC/ NCF 110 - 199
55	100278302	DIVERTER MOTOR ASSEMBLY	NKC/ NCF 110 - 199
56	100278303	BYPASS ASSEMBLY	NKC/ NCF 110 - 199
57	100278304	SWITCH, FLOW W/ GREASE COMPOUND (EXPLODED VIEW)	NKC/ NCF 110 - 199
58	100318326	WATER PRESSURE SWITCH	NKC/ NCF 110 - 199
59	100318328	PLUG W/ O-RING	NKC/ NCF 110 - 199

PLEASE HAVE MODEL AND SERIAL NUMBER WHEN ORDERING PARTS  
\*ITEMS DENOTE SUGGESTED INVENTORY PARTS

# Notes

# Notes