



**PARTS & SERVICE DEPARTMENT**  
 Nashville, Tennessee  
 877-554-5544 • Fax: 615-882-2918  
 parts\_team@lochinvar.com  
 www.Lochinvar.com

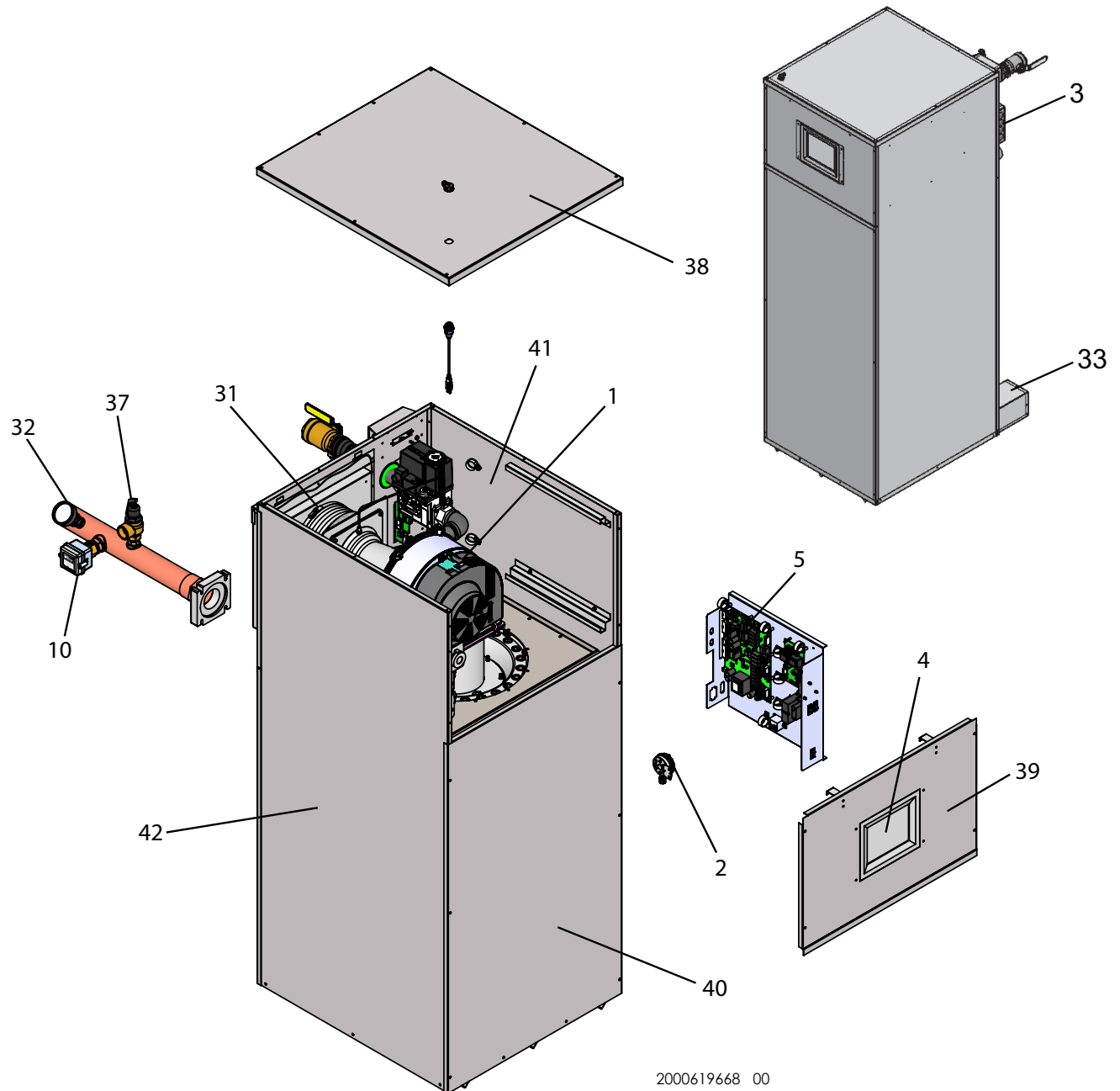
## Replacement Parts List

**Power-Fin®**

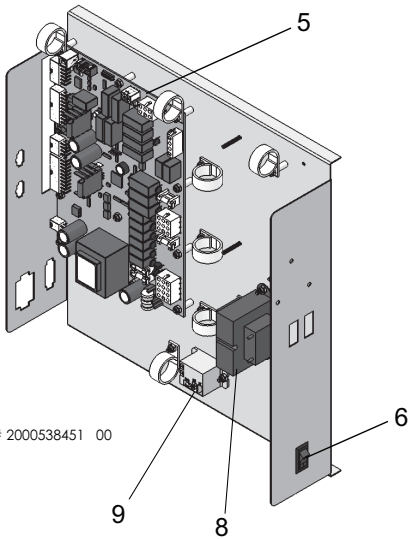
**Heating Boilers**

**PB/PF 1501, 1701, 2001**

**Beginning Serial Number: 1707104971206**

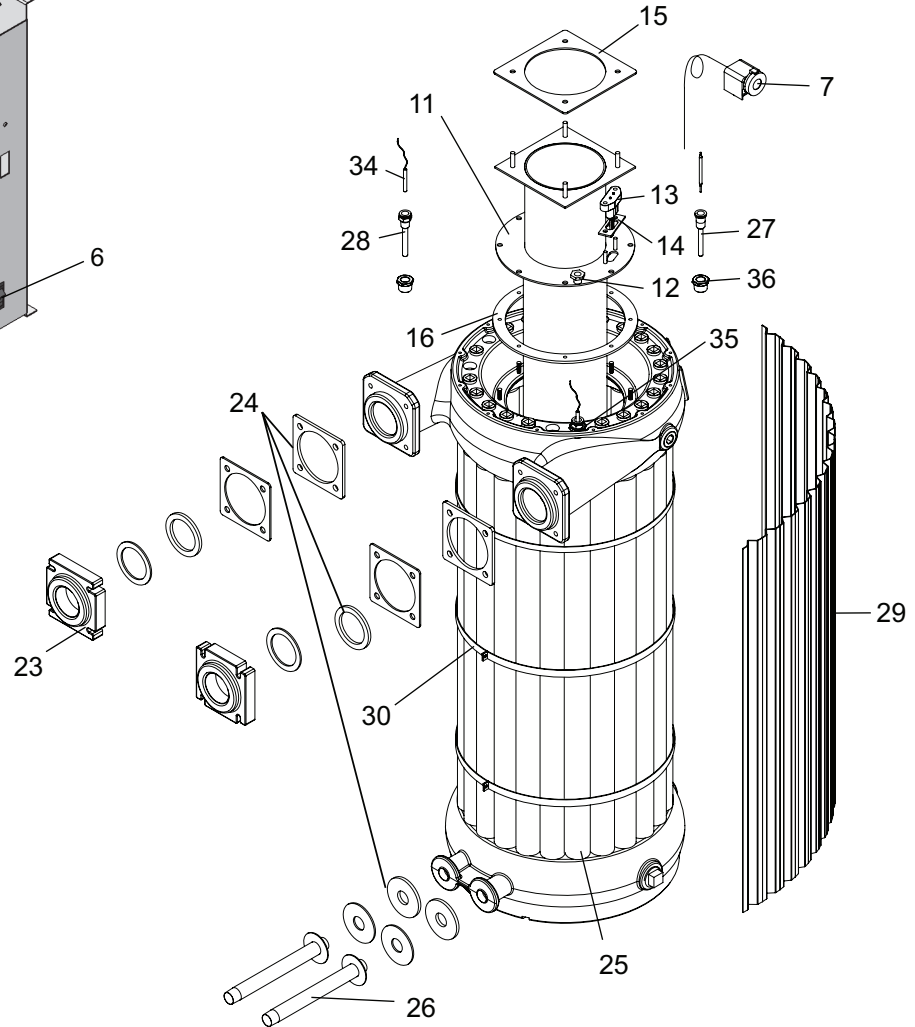


# CONTROL PANEL

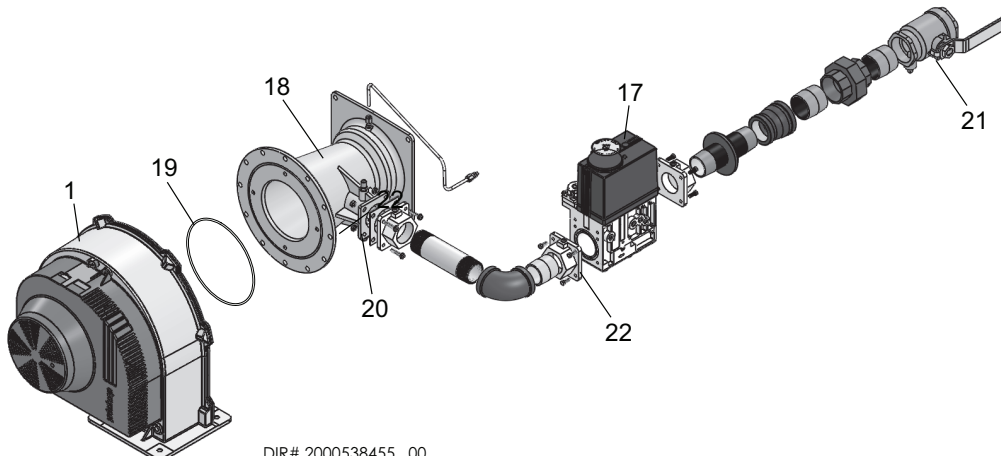


DIR# 2000538451 00

# HEAT EXCHANGER ASSEMBLY



# GAS TRAIN ASSEMBLY



DIR# 2000538455 00

ITEM NO.	PART NO.	DESCRIPTION	MODEL NO.
<b>CONTROLS</b>			
1	100145022	FAN ASSEMBLY	PB/PF 1501-2001
2	100208376*	PRESSURE SWITCH, 0.12" WATER COLUMN	PB/PF 1501-2001-M9
2	100208380*	PRESSURE SWITCH, 1.05" WATER COLUMN	PB/PF 1501/2001-B9
2	100288424*	PRESSURE SWITCH, 1.20" WATER COLUMN	PB/PF 1701-B9
3	100274823	LOW VOLTAGE CONNECTION BOARD	ALL
3	100208481	LOW VOLTAGE CONNECTION BOARD	ALL
4	100311038*	DISPLAY INTERFACE ASSEMBLY	ALL
-	100311232	GASKET, USER INTERFACE DISPLAY	ALL
5	100293702*	MAIN CONTROL BOARD	ALL
6	100208242	ON / OFF SWITCH W/ I-O SYMBOL	ALL
7	100208174*	HIGH LIMIT, MANUAL RESET	ALL PB
7	100208179	HIGH LIMIT W/ MANUAL RESET, 110-230 DEG.	ALL PF
8	100208230	TRANSFORMER, 24V, 40VA	ALL
9	100208509*	RELAY, 120VAC, 60HZ, 10.8 AMP	ALL
10	100208653*	FLOW SWITCH W/ PADDLE, INDOOR	ALL
<b>GAS TRAIN ASSEMBLIES</b>			
11	100135330	MAIN BURNER ASSEMBLY	PF/PB 1501
11	100135331	MAIN BURNER ASSEMBLY	PF/PB 1701
11	100135332	MAIN BURNER ASSEMBLY	PF/PB 2001
12	100208332	SIGHT GLASS, BURNER	ALL
13	100165937*	IGNITOR, HOT SURFACE	ALL
14	100208087	GASKET, IGNITOR	ALL
15	100208102*	GASKET, FAN	ALL
16	100208094*	GASKET, BURNER	ALL
17	100172024	GAS VALVE ASSEMBLY, NATURAL	PF/PB 1501
17	100172025	GAS VALVE ASSEMBLY, NATURAL	PF/PB 1701
17	100172026	GAS VALVE ASSEMBLY, NATURAL	PF/PB 2001
17	100171939	GAS VALVE ASSEMBLY, LP	PF/PB 1501
17	100171940	GAS VALVE ASSEMBLY, LP	PF/PB 1701
17	100171941	GAS VALVE ASSEMBLY, LP	PF/PB 2001
18	100294592	VENTURI ASSEMBLY	PF/PB 1501-1701
18	100274223	VENTURI ASSEMBLY	PF/PB 2001
19	100233698*	GASKET, FAN / VENTURI	ALL
20	100208105*	GASKET, FLANGE VENTURI	ALL
21	100288549	1-1/2" GAS SHUT-OFF VALVE W/ TAP	ALL
22	100322624	FLANGE, GAS VALVE, 1-1/4" NPT	ALL
<b>HEAT EXCHANGERS</b>			
23	100288575	FLANGE, PRIMARY, HEAT EXCHANGER	ALL
24	100233672	GASKET, TOP HEADER FLANGE	ALL
25	100147436	HEAT EXCHANGER (HLW)	PF 1501
25	100147437	HEAT EXCHANGER (HLW)	PF 1701
25	100147438	HEAT EXCHANGER (HLW)	PF 2001
25	100147439	HEAT EXCHANGER (HLW), CUPRO	PF 1501
25	100147440	HEAT EXCHANGER (HLW), CUPRO	PF 1701
25	100147441	HEAT EXCHANGER (HLW), CUPRO	PF 2001
25	100147444	HEAT EXCHANGER (H)	PB 1501
25	100147445	HEAT EXCHANGER (H)	PB 1701
25	100147446	HEAT EXCHANGER (H)	PB 2001
25	100147447	HEAT EXCHANGER (H), CUPRO	PB 1501
25	100147448	HEAT EXCHANGER (H), CUPRO	PB 1701
25	100147449	HEAT EXCHANGER (H), CUPRO	PB 2001
26	100141598	DRAIN VALVE KIT	PB
26	100141604	DRAIN VALVE KIT	PF

PLEASE HAVE MODEL NUMBER AND SERIAL NUMBER WHEN ORDERING PARTS.  
\*ITEMS DENOTE SUGGESTED INVENTORY PARTS

ITEM NO.	PART NO.	DESCRIPTION	MODEL NO.
<b>MISCELLANEOUS</b>			
27	<a href="#">100233613*</a>	HIGH LIMIT THERMOSTAT BULB WELL, 3/8 NPT	ALL
28	<a href="#">100233695*</a>	HIGH LIMIT THERMOSTAT BULB WELL, 3/8 NPT	ALL
29	<a href="#">100290360</a>	V-BAFFLE (24)	PF/PB 1501
29	<a href="#">100290391</a>	V-BAFFLE (24)	PF/PB 1701
29	<a href="#">100290392</a>	V-BAFFLE (24)	PF/PB 2001
30	<a href="#">100154193</a>	RETAINER, V-BAFFLE	ALL
31	<a href="#">100208063*</a>	FILTER - 16" X 16" X 1"	ALL
32	<a href="#">100208152*</a>	GAUGE TRIOMETER, 75 PSI	ALL PB
33	<a href="#">100343868*</a>	CONDENSATE TRAP	ALL
34	<a href="#">100208552*</a>	SENSOR, SYSTEM / INLET	ALL
35	<a href="#">100208557</a>	OUTLET SENSOR	ALL
36	<a href="#">100289373</a>	BRASS BUSHING, 3/4" X 3/8"	ALL
37	<a href="#">100208448</a>	PRESSURE RELIEF VALVE, 1" X 1-1/4", 50 PSI	ALL PB
37	<a href="#">100208453</a>	T&P RELIEF VALVE, 1", 150 PSI	ALL PF
-	<a href="#">100208834</a>	KIT, OUTDOOR AIR RESET	ALL
-	<a href="#">100170647*</a>	SENSOR, FLUE	ALL
-	<a href="#">100208336</a>	ALUMINUM TUBING (ORDER BY THE FOOT)	ALL
-	<a href="#">100274791</a>	TUBING, EPDM 3/8" (ORDER BY THE FOOT)	ALL
<b>PUMPS</b>			
-	<a href="#">100133622</a>	PUMP ASSEMBLY FOR WATER HEATER, STANDARD, 3/4 HP, 2-1/2" FLG, BRZ	ALL PF
-	<a href="#">100287831</a>	PUMP ASSEMBLY FOR WATER HEATER, UPSIZED, 1-1/2 HP, 2" FLG, BRZ	ALL PF
-	<a href="#">100133623</a>	PUMP ASSEMBLY FOR BOILER, 3/4 HP, 2-1/2" FLG, BRZ (OPTIONAL)	PB
<b>JACKET/DOOR ASSEMBLIES</b>			
38	<a href="#">100271847</a>	JACKET TOP	ALL
39	<a href="#">100271809</a>	JACKET, OUTER FRONT UPPER	ALL
40	<a href="#">100273345</a>	JACKET, OUTER FRONT LOWER	PF/PB 1501
40	<a href="#">100273107</a>	JACKET, OUTER FRONT LOWER	PF/PB 1701
40	<a href="#">100271810</a>	JACKET, OUTER FRONT LOWER	PF/PB 2001
41	<a href="#">100273371</a>	JACKET, OUTER RIGHT	PF/PB 1501
41	<a href="#">100273105</a>	JACKET, OUTER RIGHT	PF/PB 1701
41	<a href="#">100271843</a>	JACKET, OUTER RIGHT	PF/PB 2001
42	<a href="#">100273372</a>	JACKET, OUTER LEFT	PF/PB 1501
42	<a href="#">100273109</a>	JACKET, OUTER LEFT	PF/PB 1701
42	<a href="#">100271845</a>	JACKET, OUTER LEFT	PF/PB 2001
<b>INSULATION</b>			
-	<a href="#">100145460</a>	INSULATION, SIDES	PF/PB 1501
-	<a href="#">100145461</a>	INSULATION, SIDES	PF/PB 1701
-	<a href="#">100145462</a>	INSULATION, SIDES	PF/PB 2001
-	<a href="#">100145580</a>	INSULATION, BACK	PF/PB 1501
-	<a href="#">100145581</a>	INSULATION, BACK	PF/PB 1701
-	<a href="#">100145582</a>	INSULATION, BACK	PF/PB 2001
-	<a href="#">100145447</a>	INSULATION, FRONT	PF/PB 1501
-	<a href="#">100145448</a>	INSULATION, FRONT	PF/PB 1701
-	<a href="#">100145449</a>	INSULATION, FRONT	PF/PB 2001
-	<a href="#">100145450</a>	INSULATION, FRONT DOOR	PF/PB 1501
-	<a href="#">100145451</a>	INSULATION, FRONT DOOR	PF/PB 1701
-	<a href="#">100145452</a>	INSULATION, FRONT DOOR	PF/PB 2001
<b>PLEASE HAVE MODEL NUMBER AND SERIAL NUMBER WHEN ORDERING PARTS. *ITEMS DENOTE SUGGESTED INVENTORY PARTS</b>			